



US00D411798S

United States Patent [19] Suzuki

[11] Patent Number: Des. 411,798

[45] Date of Patent: ** Jul. 6, 1999

[54] **PACKAGE FOR A TAPE PLAYER AND HEADPHONE**

[75] Inventor: Masaki Suzuki, Tokyo, Japan

[73] Assignee: Sony Corporation, Tokyo, Japan

[**] Term: 14 Years

[21] Appl. No.: 29/084,956

[22] Filed: Mar. 13, 1998

[30] Foreign Application Priority Data

Sep. 16, 1997 [JP] Japan 9-67874

[51] LOC (6) Cl. 09-07

[52] U.S. Cl. D9/415

[58] Field of Search D9/415, 418, 337,
D9/414; 206/461-471, 495, 775-785, 806

[56] References Cited

U.S. PATENT DOCUMENTS

| | | | | |
|------------|---------|----------------|-------|-----------|
| D. 320,158 | 9/1991 | Contino | | D9/415 |
| D. 365,753 | 1/1996 | Sibbio | | D9/415 |
| D. 384,579 | 10/1997 | Lee | | D9/415 |
| 3,863,837 | 2/1975 | Spiegel et al. | | 206/806 X |
| 5,311,989 | 5/1994 | Ward et al. | | 206/421 X |
| 5,358,113 | 10/1994 | Hallenbrand | | D6/463 X |

OTHER PUBLICATIONS

Sony Catalog "Walkman/CD Walkman/Radio cassette", p. 12, Feb. 1998.
Modern Packaging, p. 334, 1963.

Techform Inc., Nov. 1982.

Primary Examiner—Prabhakar Deshmukh
Attorney, Agent, or Firm—Foley & Lardner

[57] CLAIM

The ornamental design for a package for a tape player and headphone, as shown and described.

DESCRIPTION

FIG. 1 is a perspective view of a first embodiment of a package for a tape player and headphone showing my new design;

FIG. 2 is a top plan view thereof;

FIG. 3 is a left side elevational view thereof;

FIG. 4 is a front elevational view thereof;

FIG. 5 is a bottom plan view thereof;

FIG. 6 is a right side elevational view thereof; and

FIG. 7 is a rear elevational view thereof.

FIG. 8 is a perspective view of a second embodiment of a package for a tape player and headphone showing my new design;

FIG. 9 is a top plan view thereof;

FIG. 10 is a left side elevational view thereof;

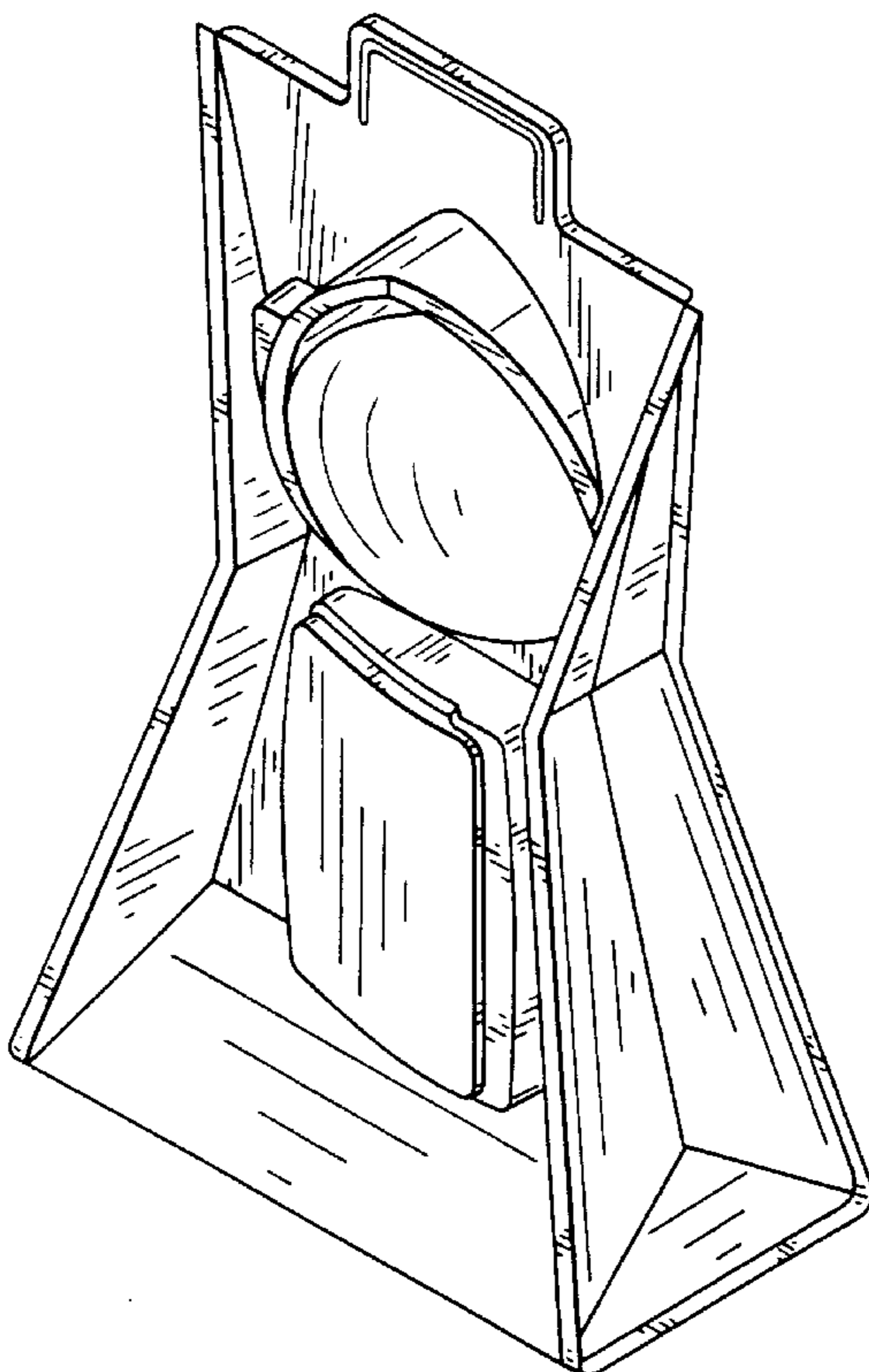
FIG. 11 is a front elevational view thereof;

FIG. 12 is a bottom plan view thereof;

FIG. 13 is a right side elevational view thereof; and,

FIG. 14 is a rear elevational view thereof.

1 Claim, 6 Drawing Sheets



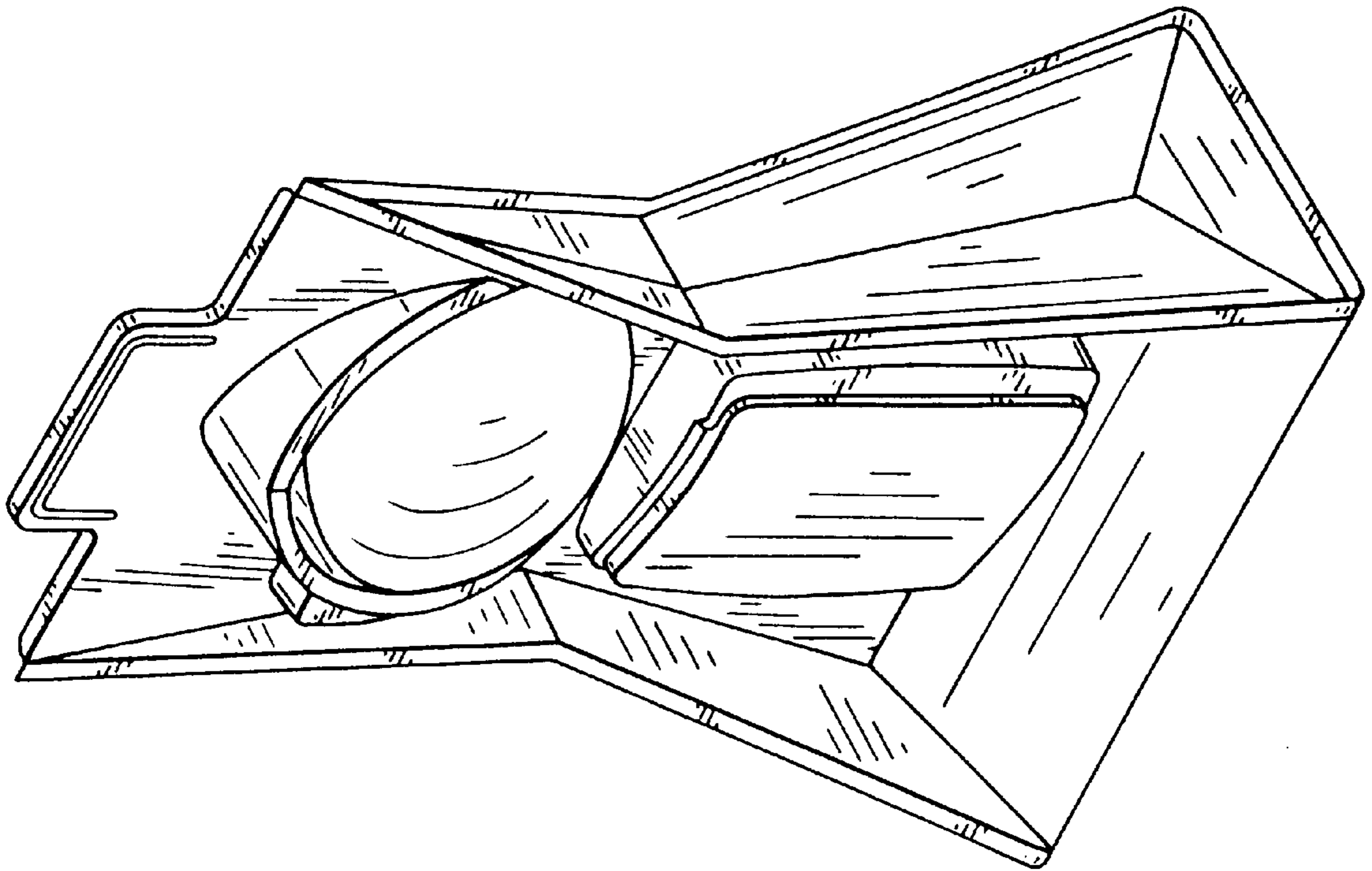


FIG. 1

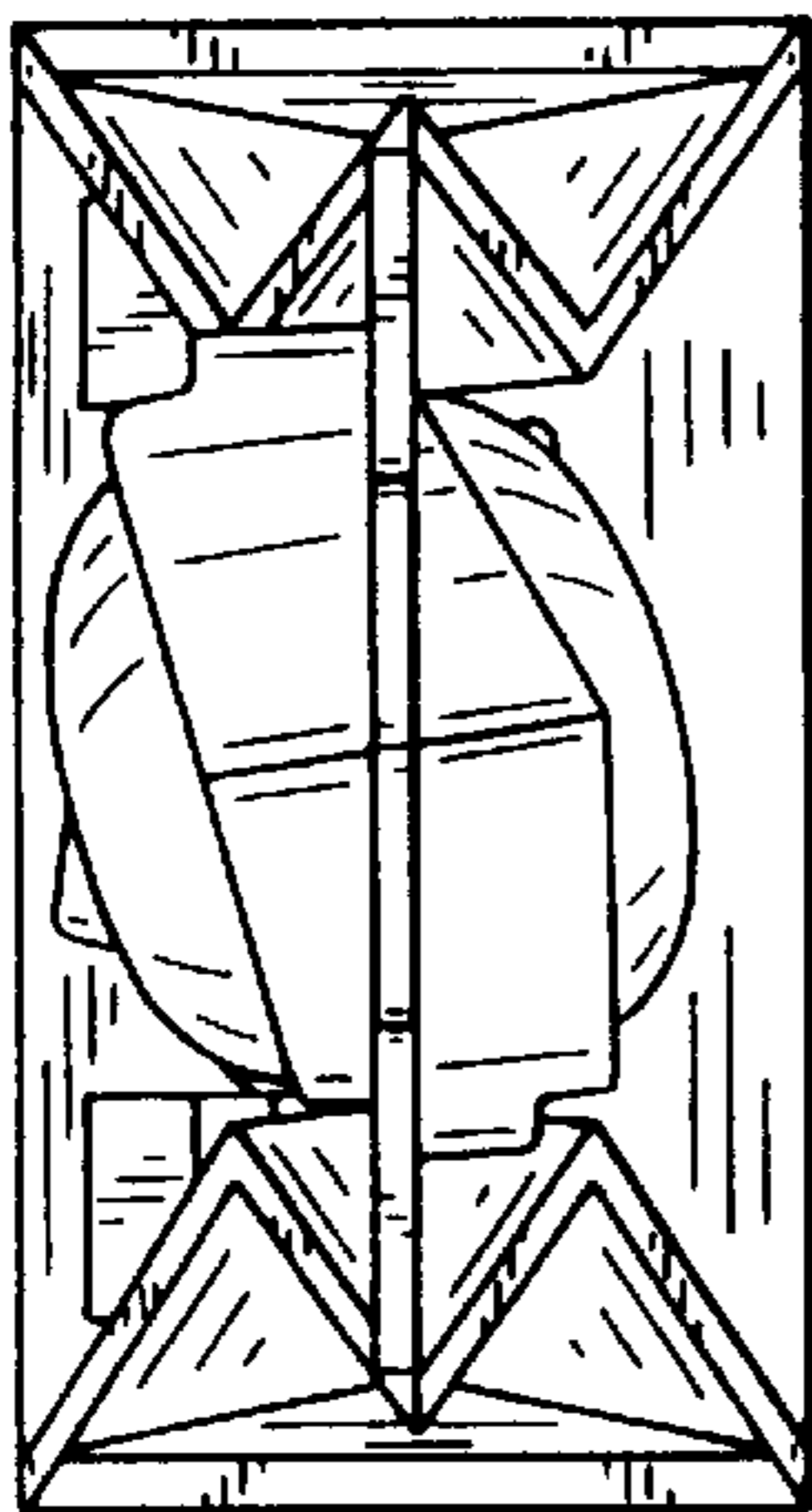


FIG. 2

FIG. 4

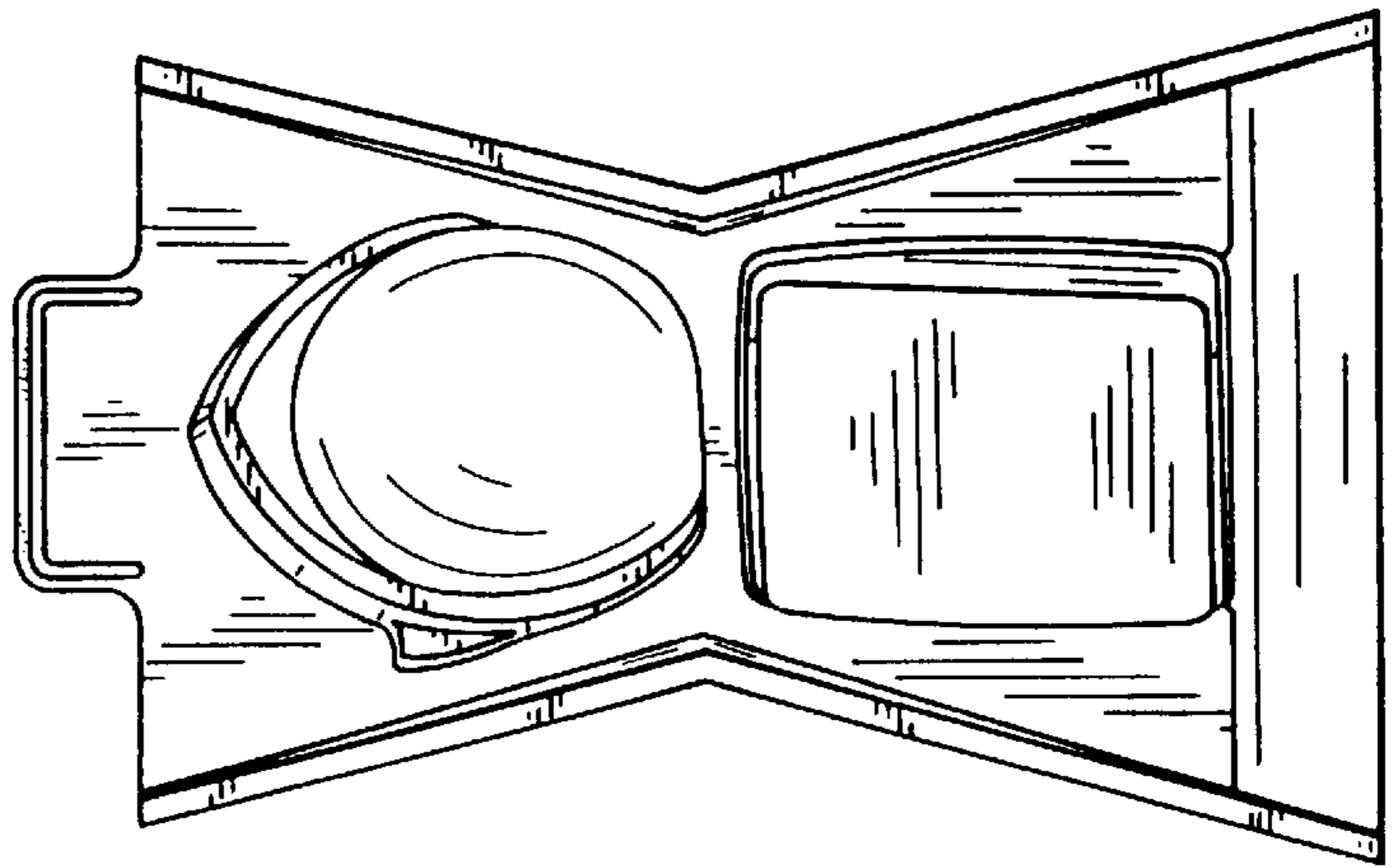
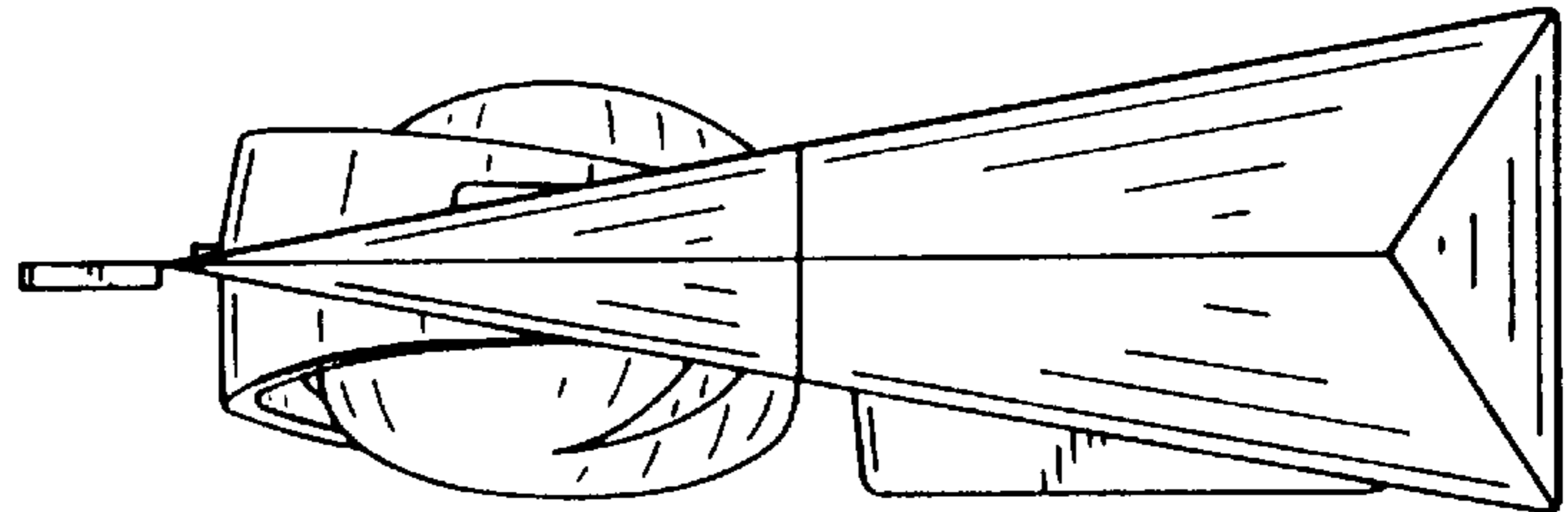


FIG. 3



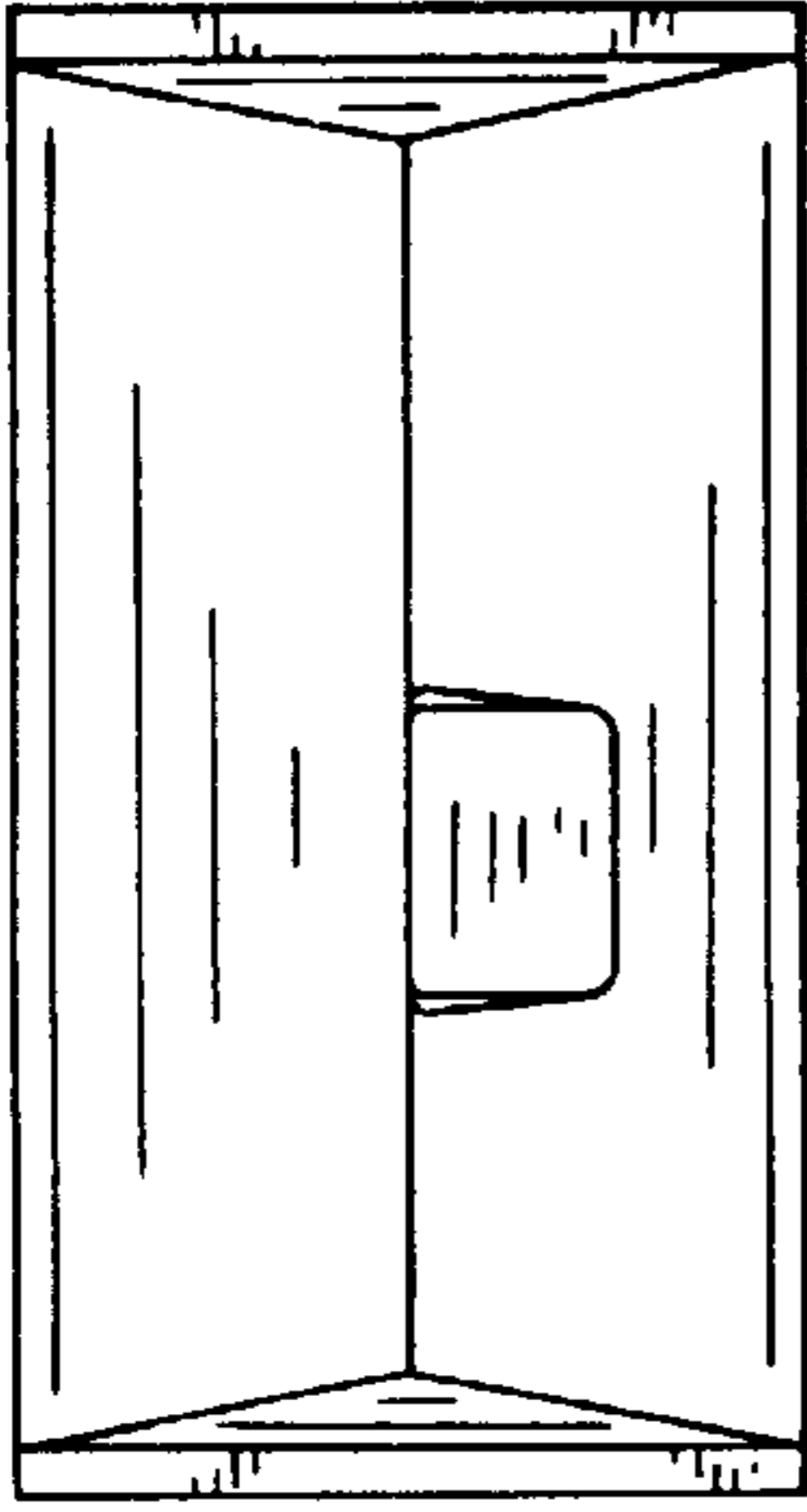


FIG. 5

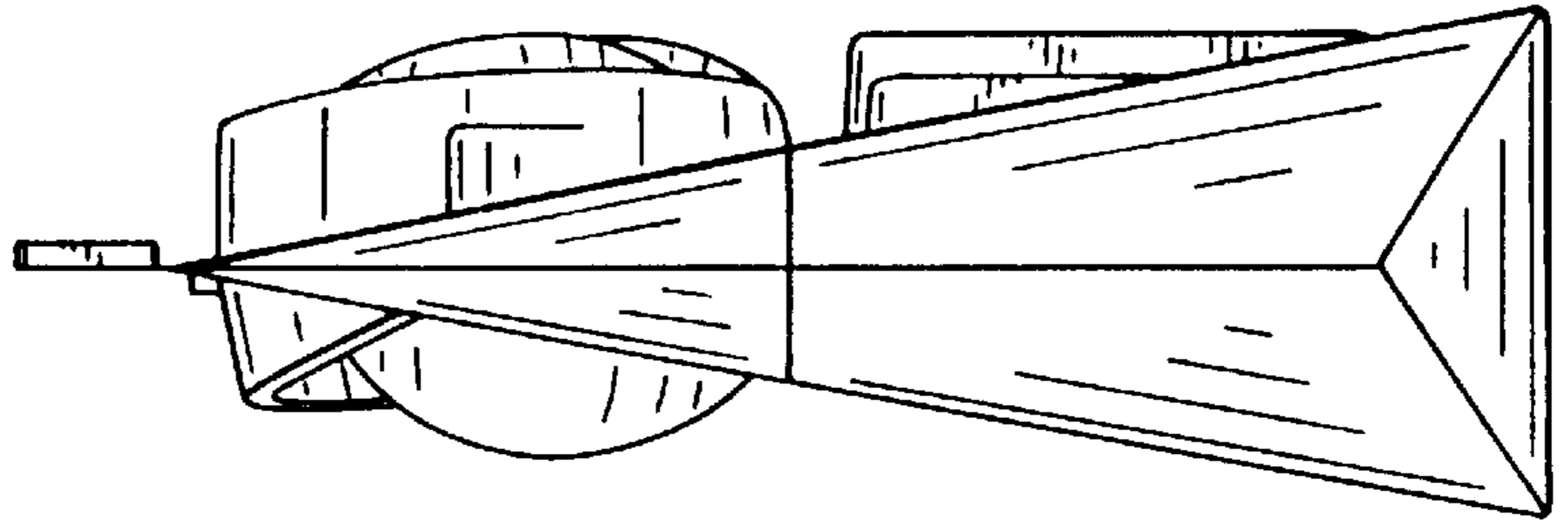


FIG. 6

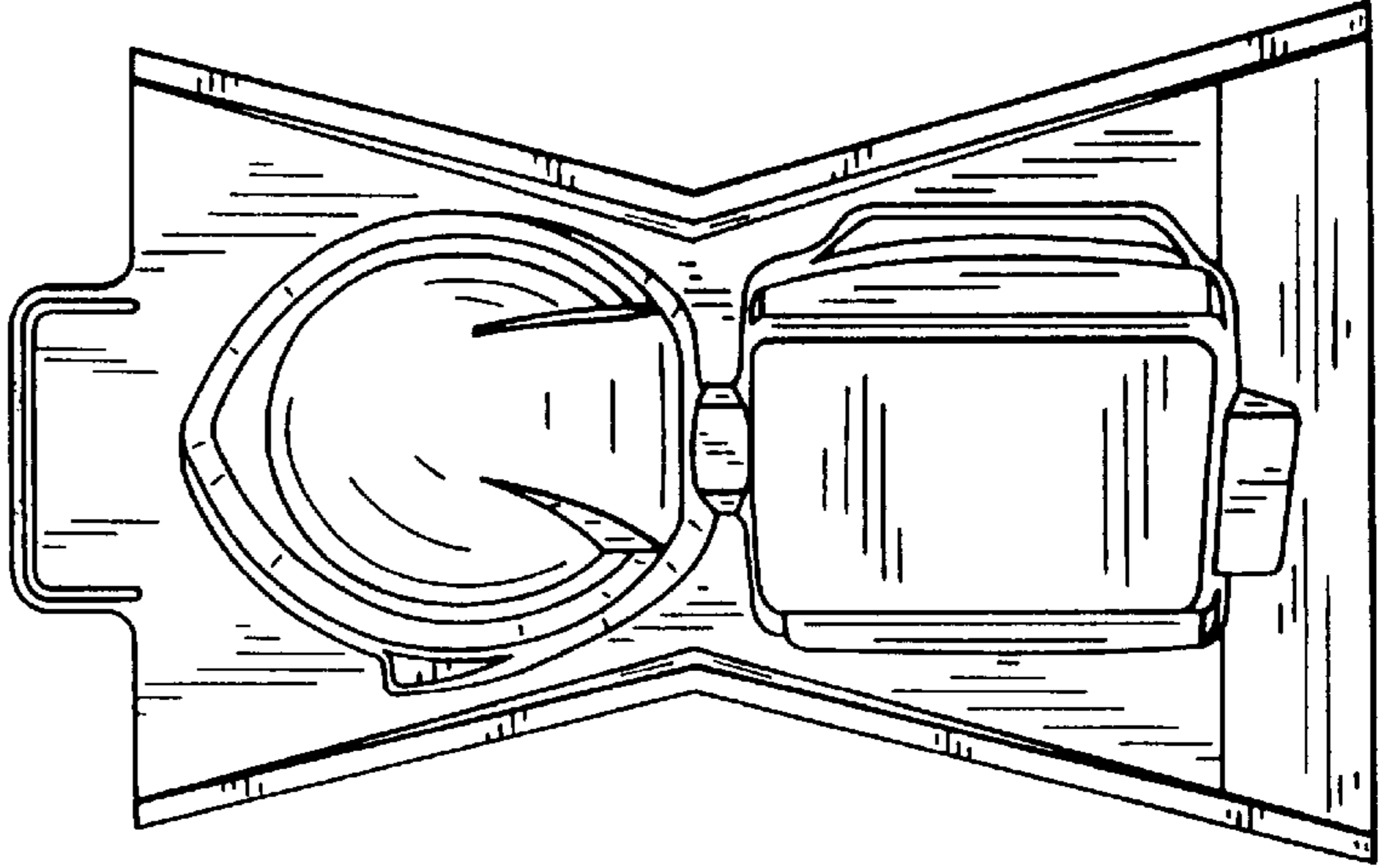


FIG. 7

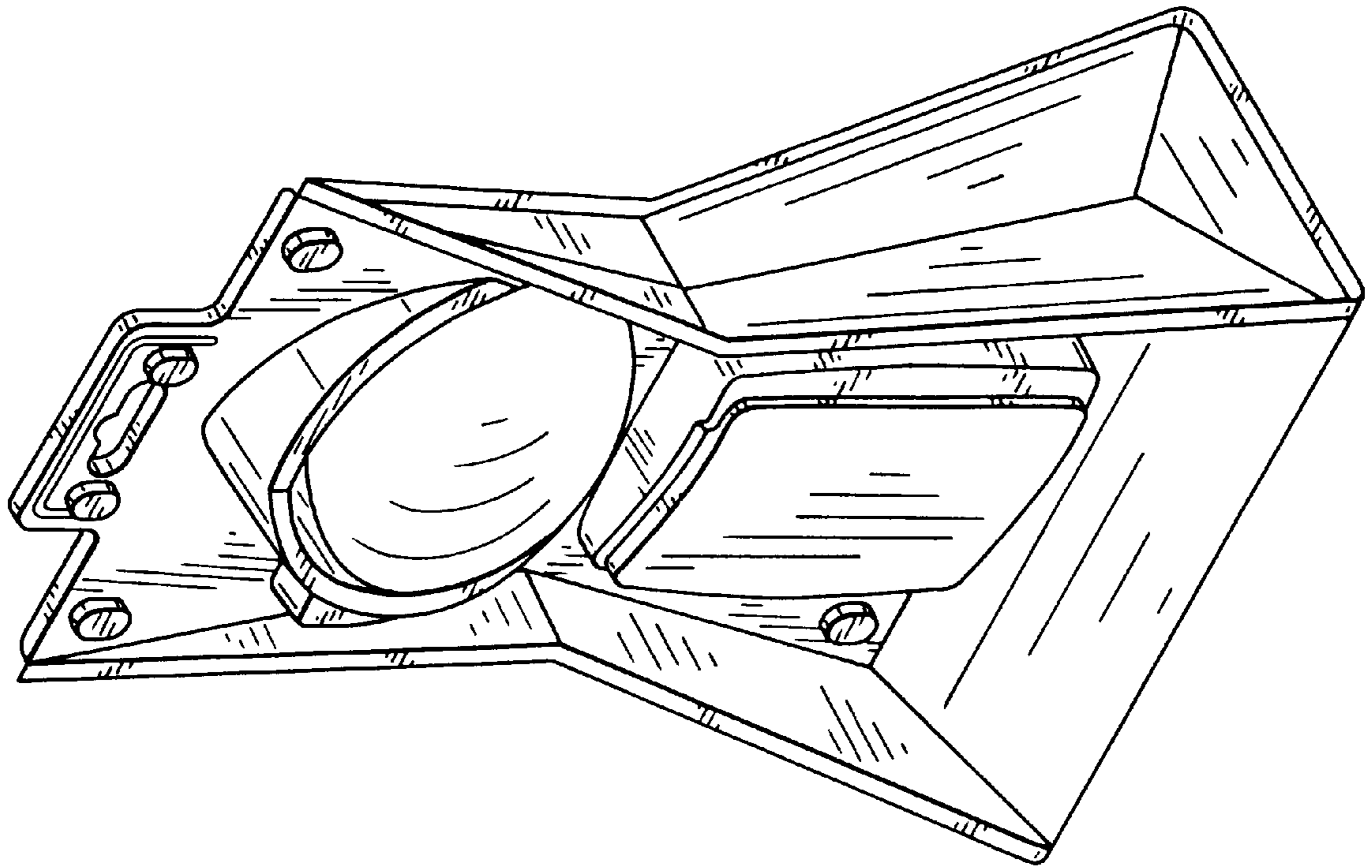


FIG. 8

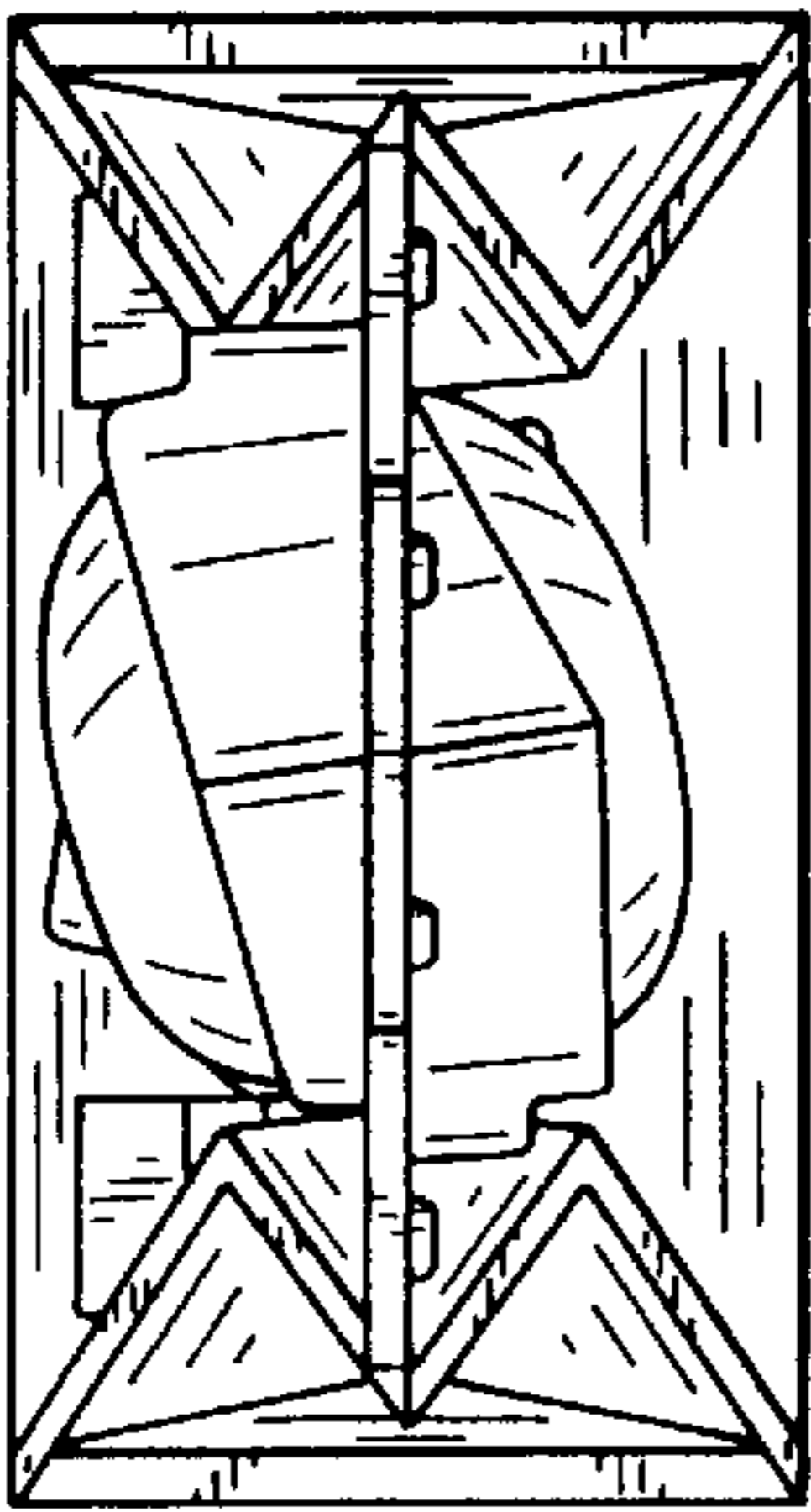


FIG. 9

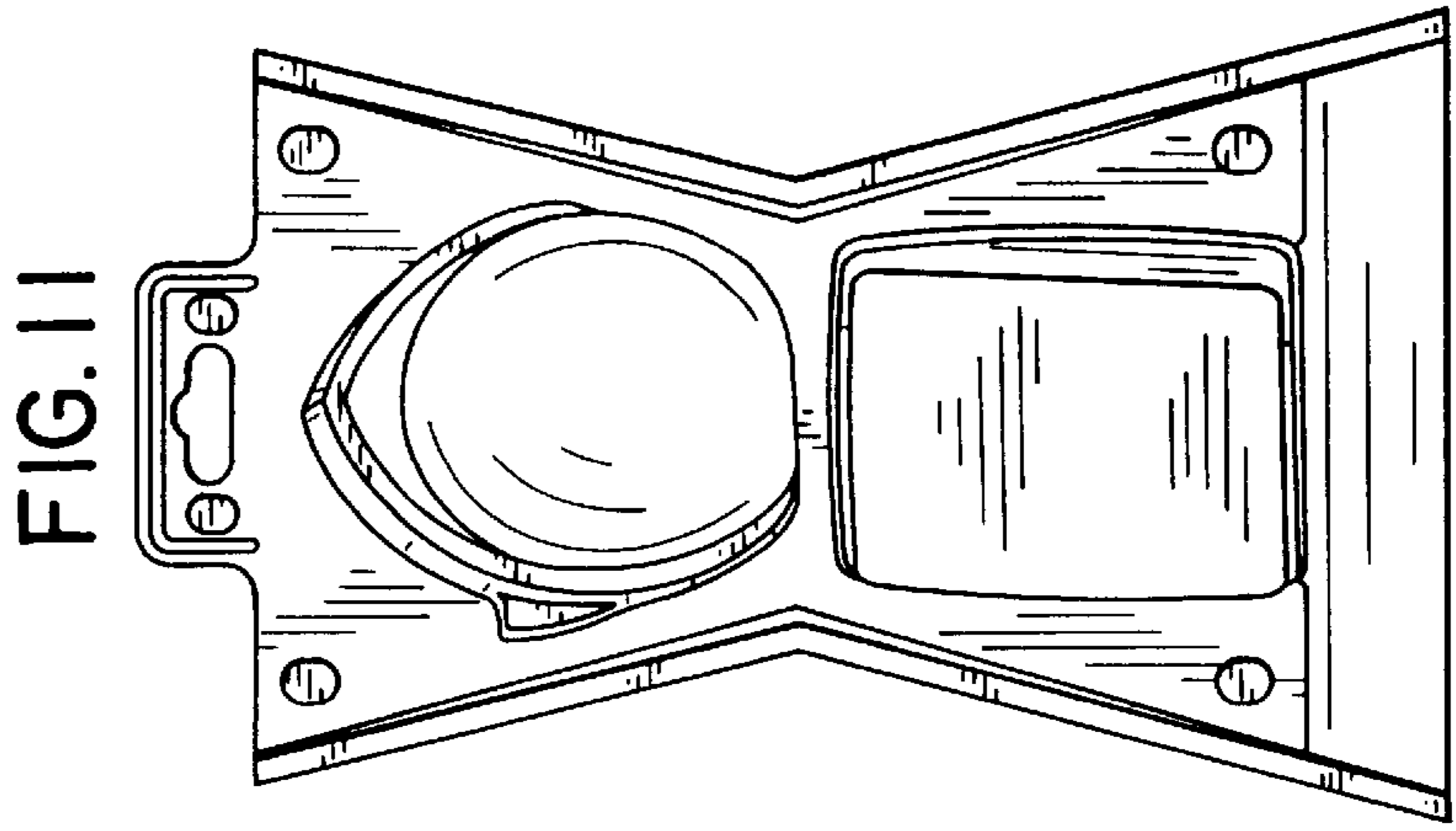


FIG. 11

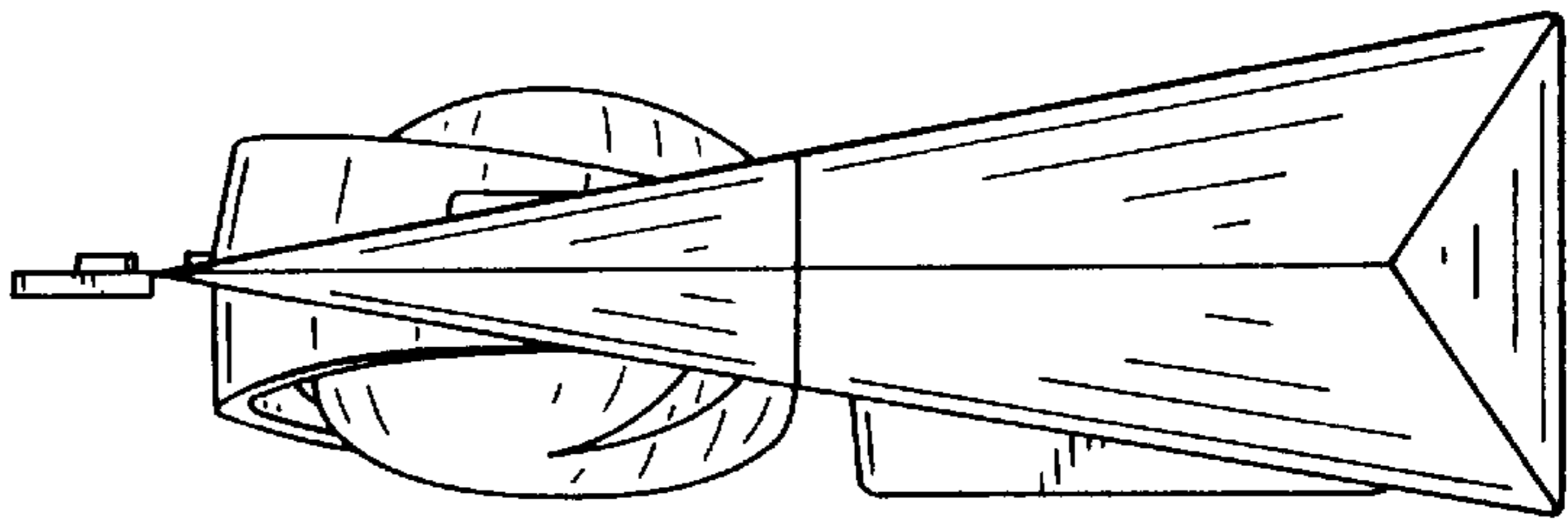


FIG. 10

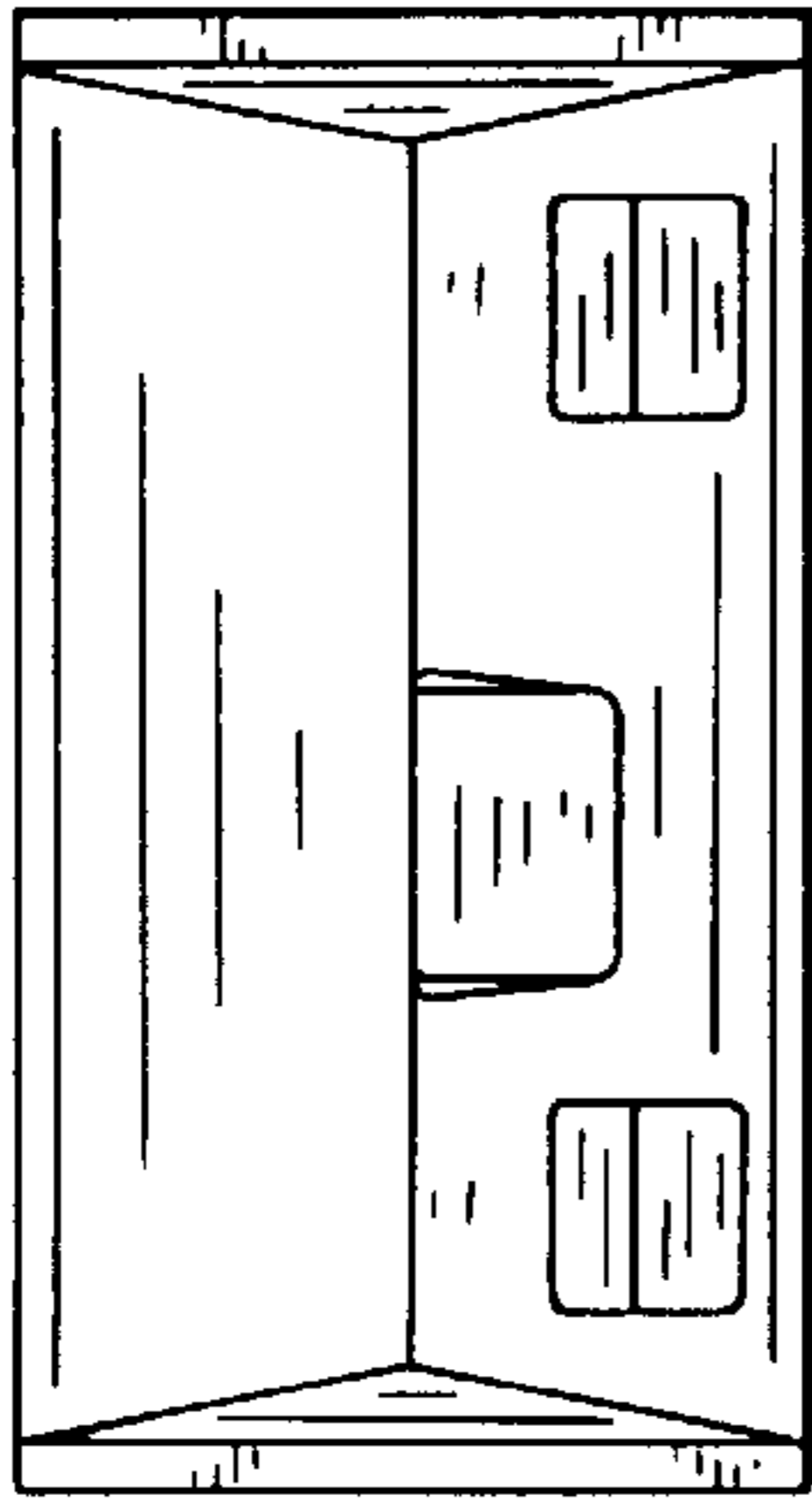


FIG. 12

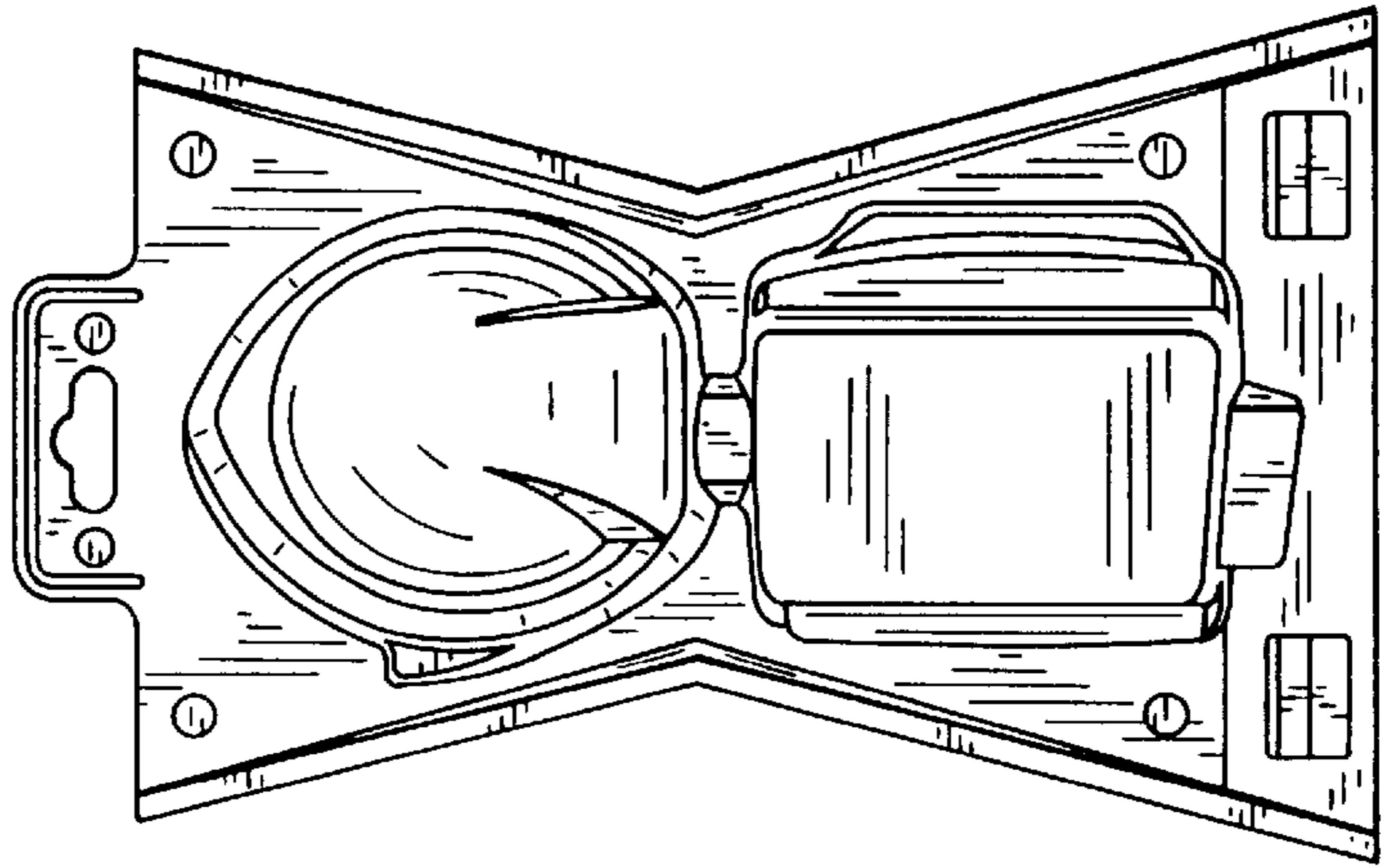


FIG. 14

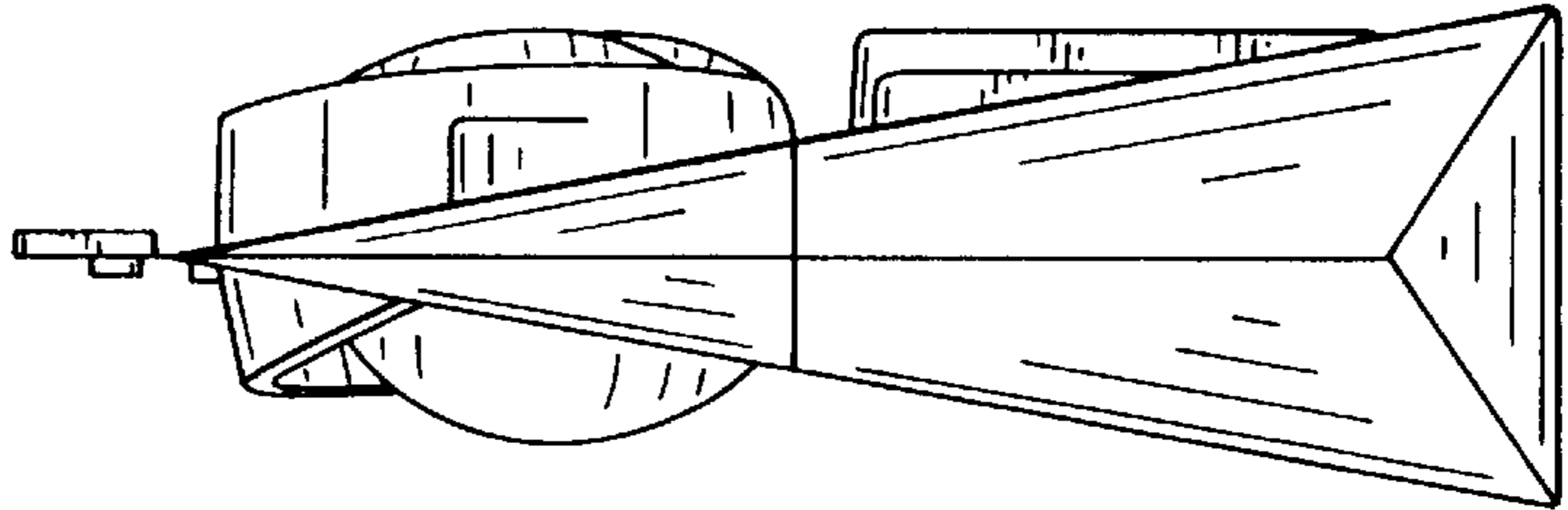


FIG. 13