



US00D411796S

United States Patent [19]
Kolton

[11] **Patent Number: Des. 411,796**
[45] **Date of Patent: ** Jul. 6, 1999**

[54] **FLOPPY DRIVE AND PCI BUS MOUNTED ANTI-THEFT ALARM**

D. 337,041 7/1993 Carl D14/114 X
D. 371,770 7/1996 Larson et al. D14/114 X
D. 401,136 11/1998 Derman D8/341
5,404,733 4/1995 Fitzpatrick 70/58 X

[75] Inventor: **Joseph N. Kolton**, West Vancouver, Canada

Primary Examiner—Brian N. Vinson
Attorney, Agent, or Firm—Anderson, Levine & Lintel

[73] Assignee: **Boulder-Blu Incorporated**, St. Michael, Barbados

[**] Term: **14 Years**

[57] **CLAIM**

The ornamental design for a floppy drive and PCI BUS mounted anti-theft alarm, as shown.

[21] Appl. No.: **29/086,051**

DESCRIPTION

[22] Filed: **Apr. 3, 1998**

[51] **LOC (6) Cl.** **08-07**

FIG. 1 is a perspective view of the design;

[52] **U.S. Cl.** **D8/332; D8/341; D14/114**

FIG. 2 is a top view of the design;

[58] **Field of Search** **D8/332, 341, 343, D8/346; D10/106; D14/114; 70/14, 31, 57, 58, 158, 163, 164**

FIG. 3 is a bottom view of the design;

FIG. 4 is a right side view of the design;

FIG. 5 is a left side view of the design;

FIG. 6 is a front view of the design; and,

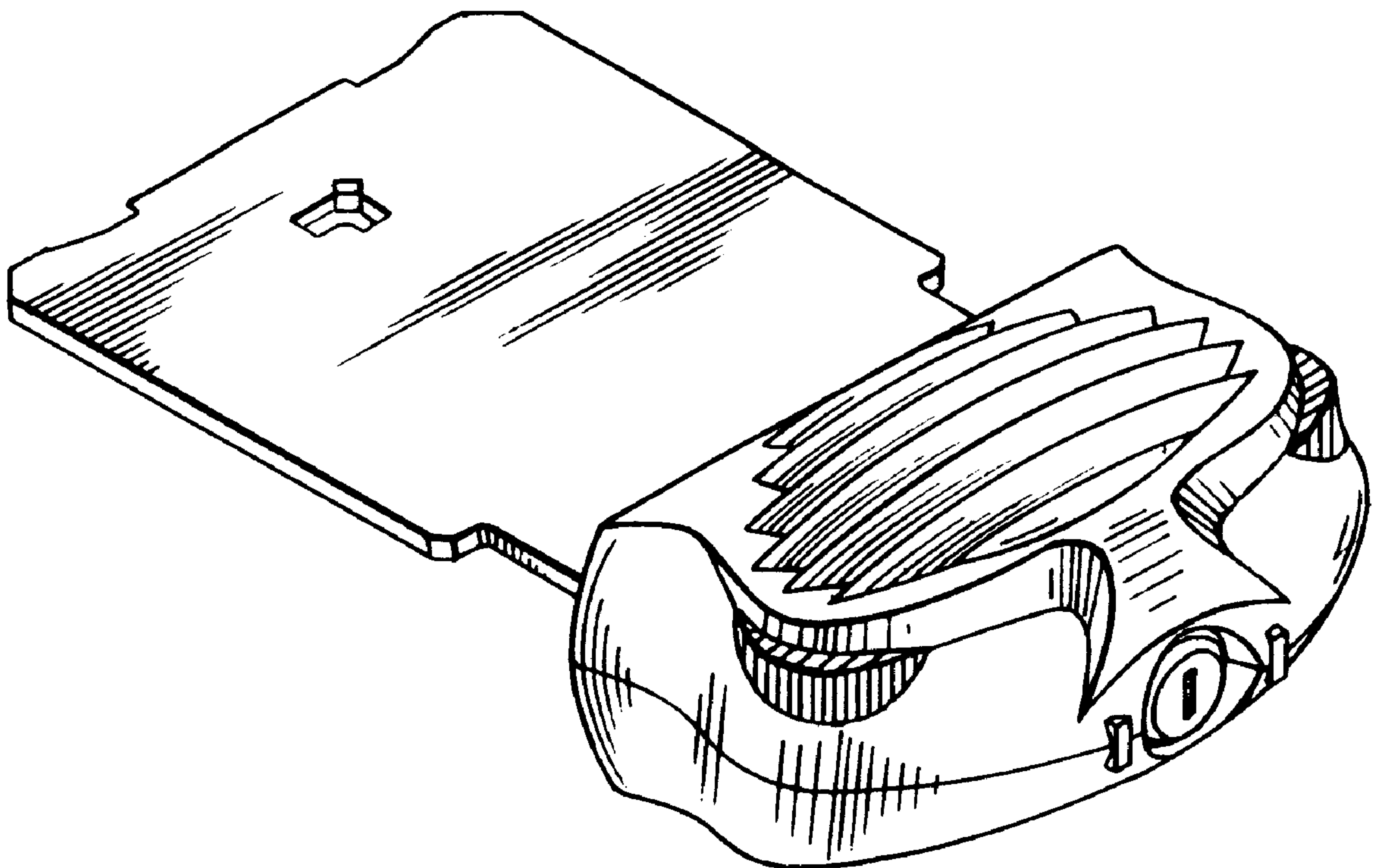
FIG. 7 is a rear view of the design.

[56] **References Cited**

U.S. PATENT DOCUMENTS

D. 329,046 9/1992 Westland D14/114

1 Claim, 2 Drawing Sheets



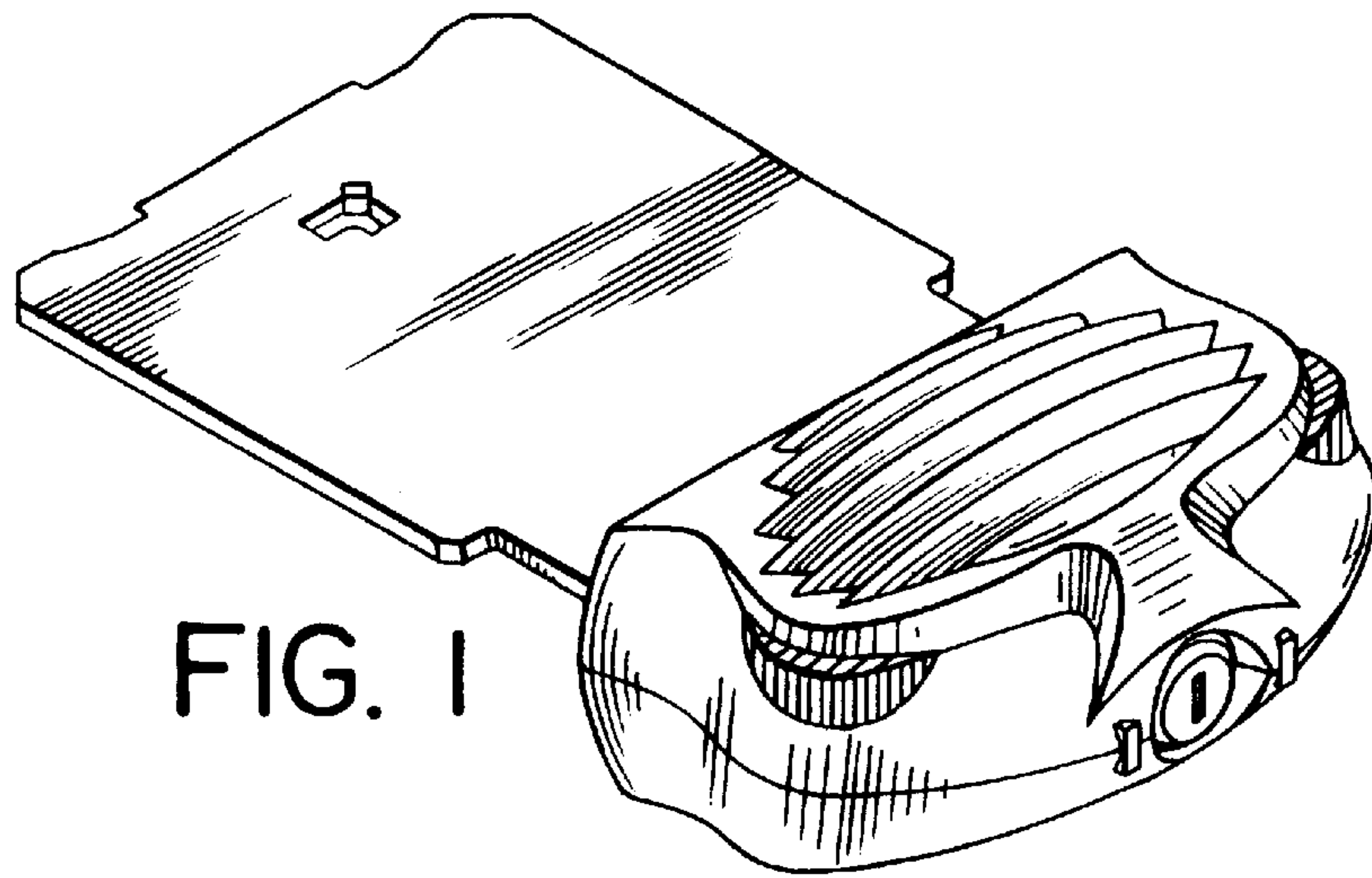


FIG. 1

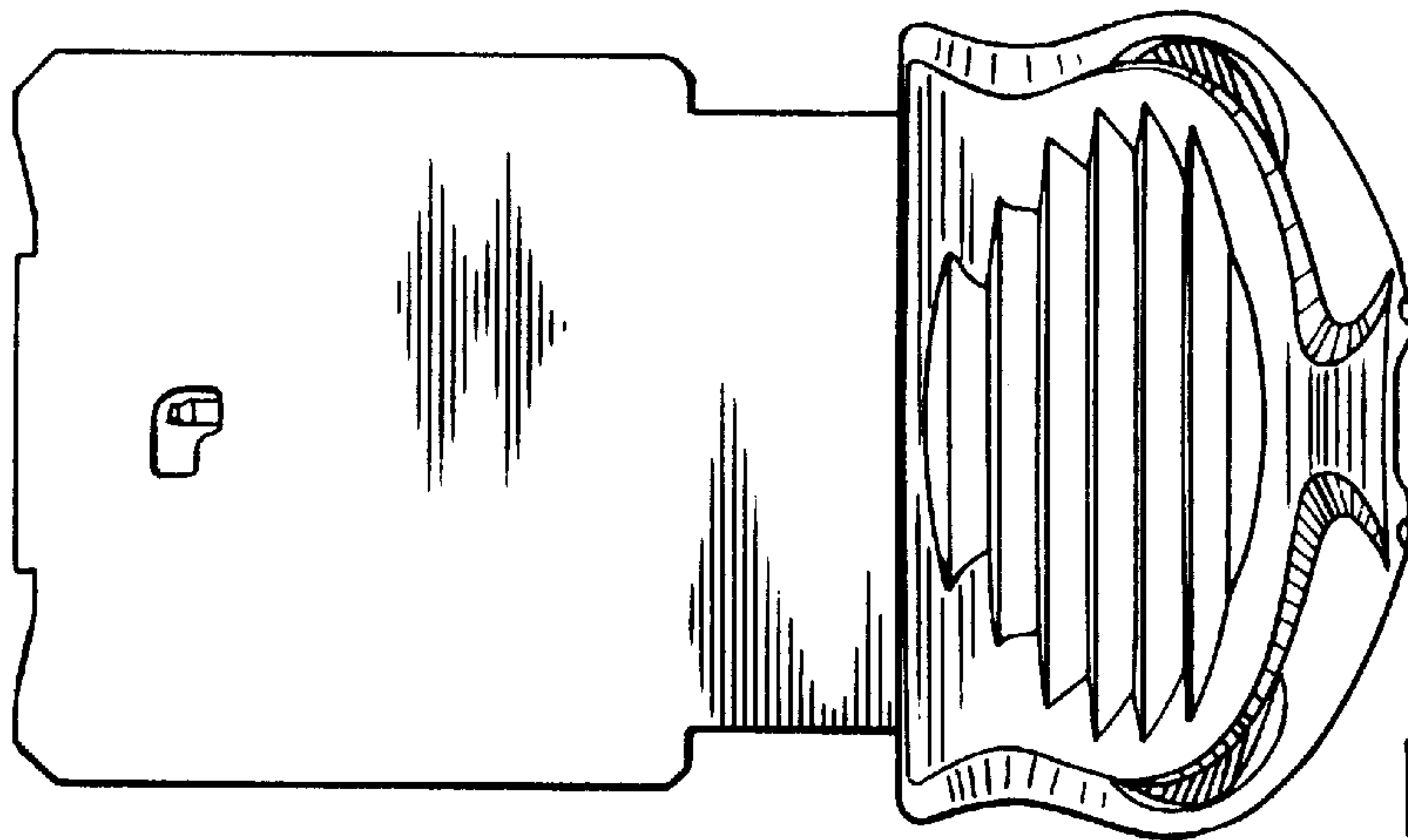


FIG. 2

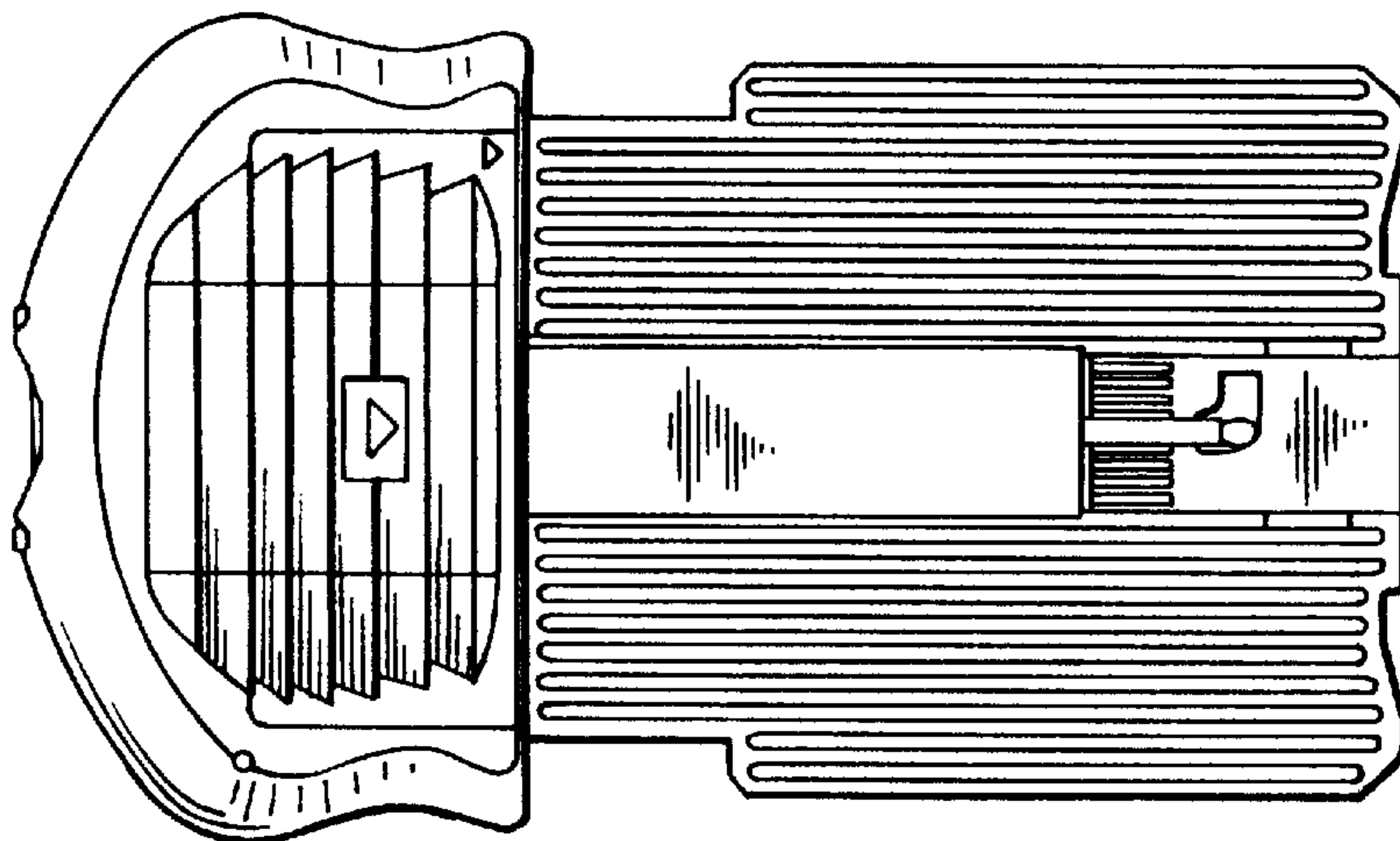


FIG. 3

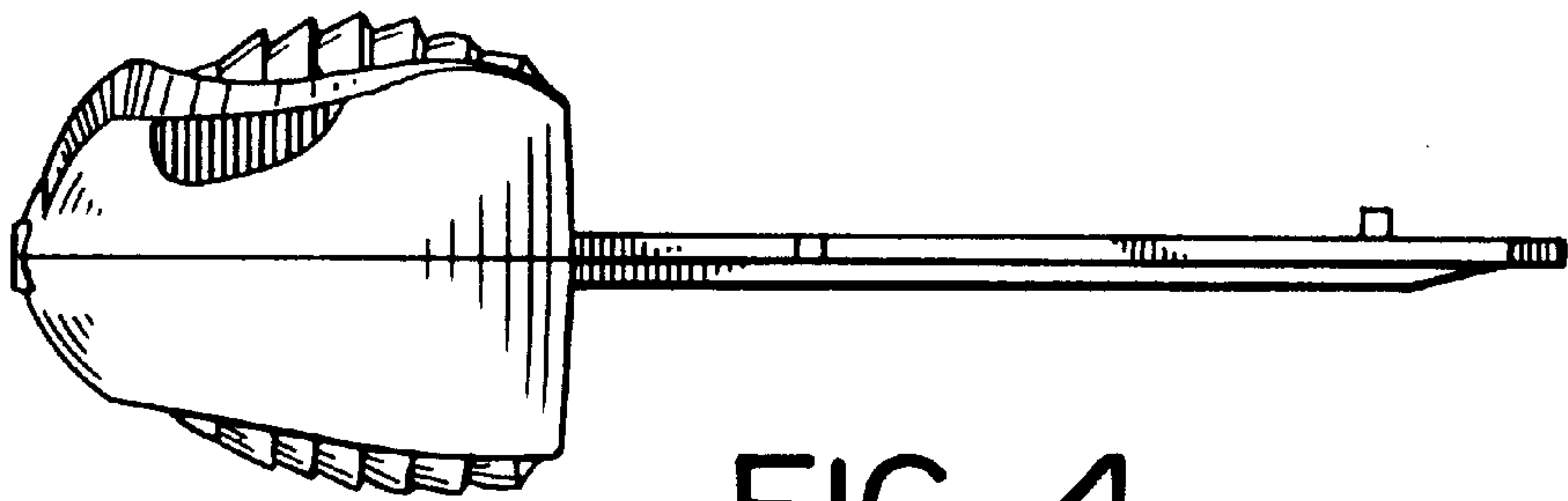


FIG. 4

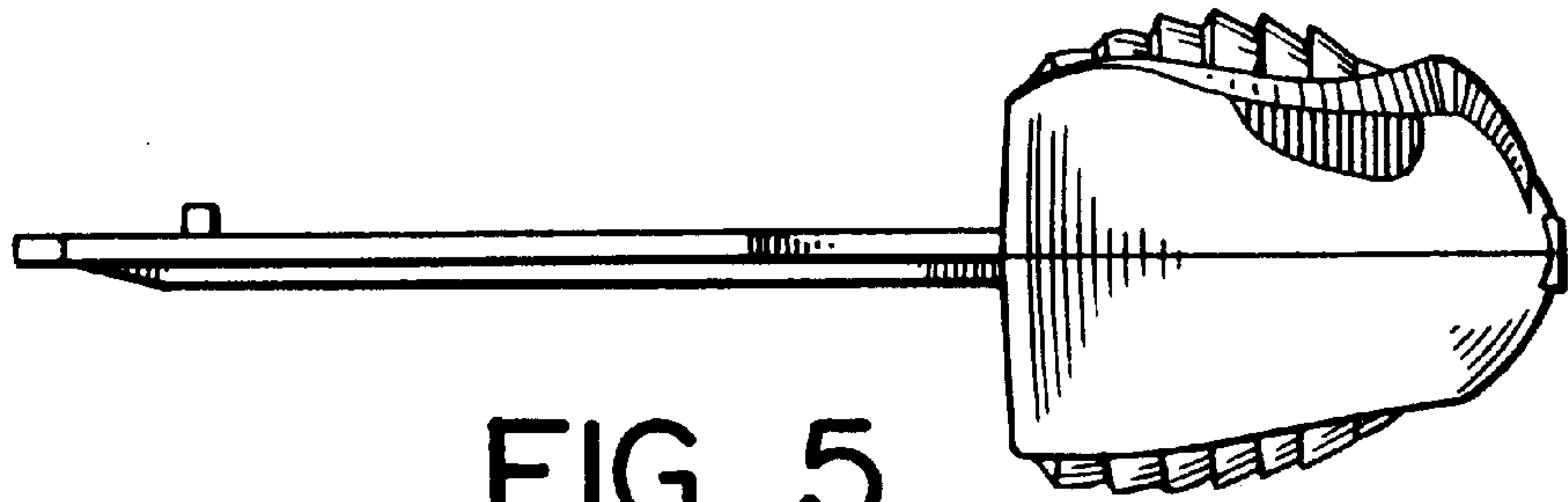


FIG. 5

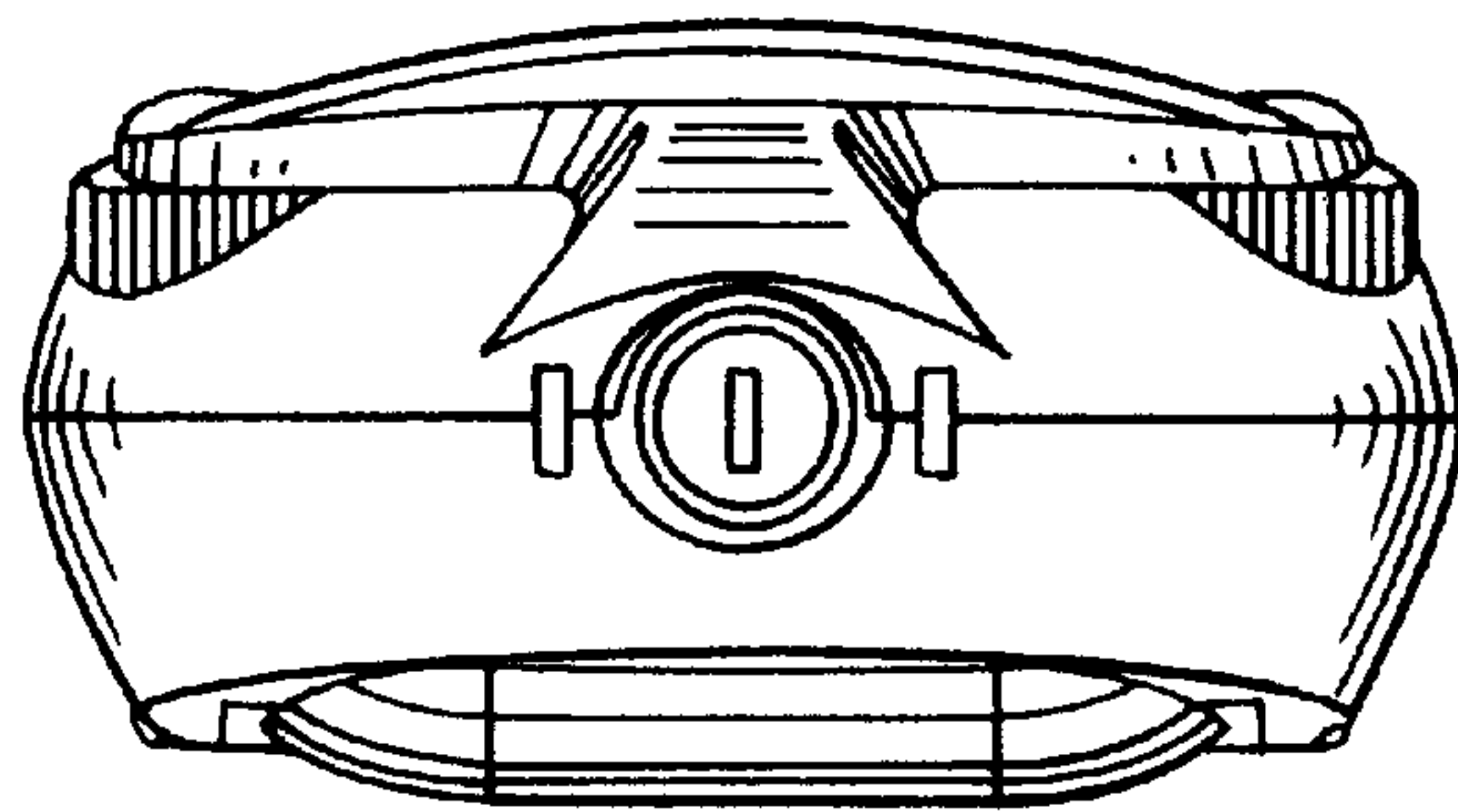


FIG. 6

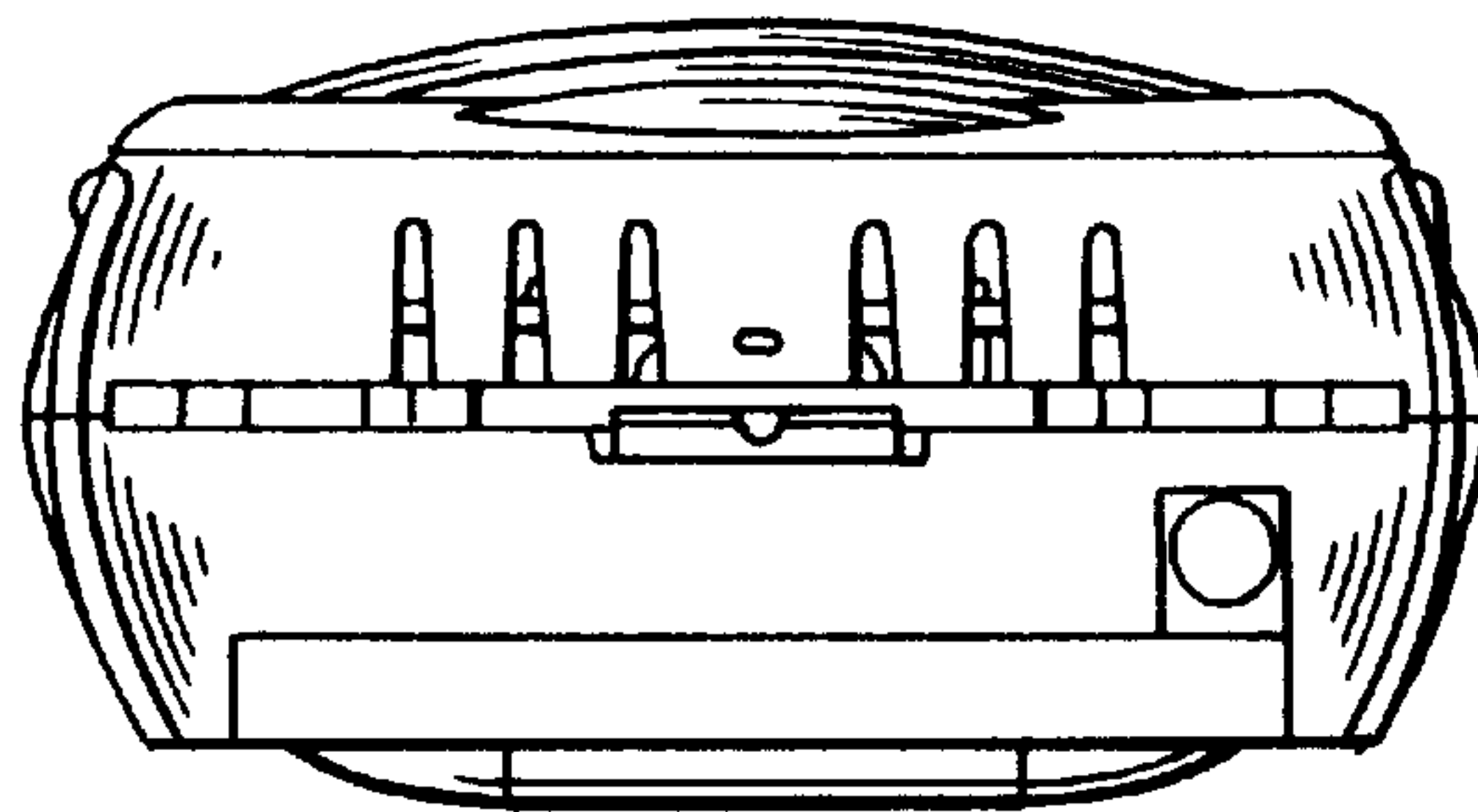


FIG. 7