



US00D411795S

United States Patent [19]
O'Neil

[11] **Patent Number: Des. 411,795**
[45] **Date of Patent: ** Jul. 6, 1999**

[54] **KNOB**
[75] Inventor: **Robert A. O'Neil**, Glen Ellyn, Ill.
[73] Assignee: **Newell Operating Company**, Freeport, Ill.
[**] Term: **14 Years**
[21] Appl. No.: **29/089,612**
[22] Filed: **Jun. 18, 1998**
[51] **LOC (6) Cl.** **08-06**
[52] **U.S. Cl.** **D8/307; D8/310**
[58] **Field of Search** D8/300, 307, 310,
D8/312, 378, 379; D23/250, 251, 254;
D26/154; D3/12, 16; D7/393, 395; D25/135;
16/110 R, 121

D. 312,497 11/1990 Paul D23/254
D. 387,265 12/1997 Mattson D8/316
1,720,545 7/1929 Dickey .

Primary Examiner—B. J. Bullock
Attorney, Agent, or Firm—Foley & Lardner

[57] **CLAIM**

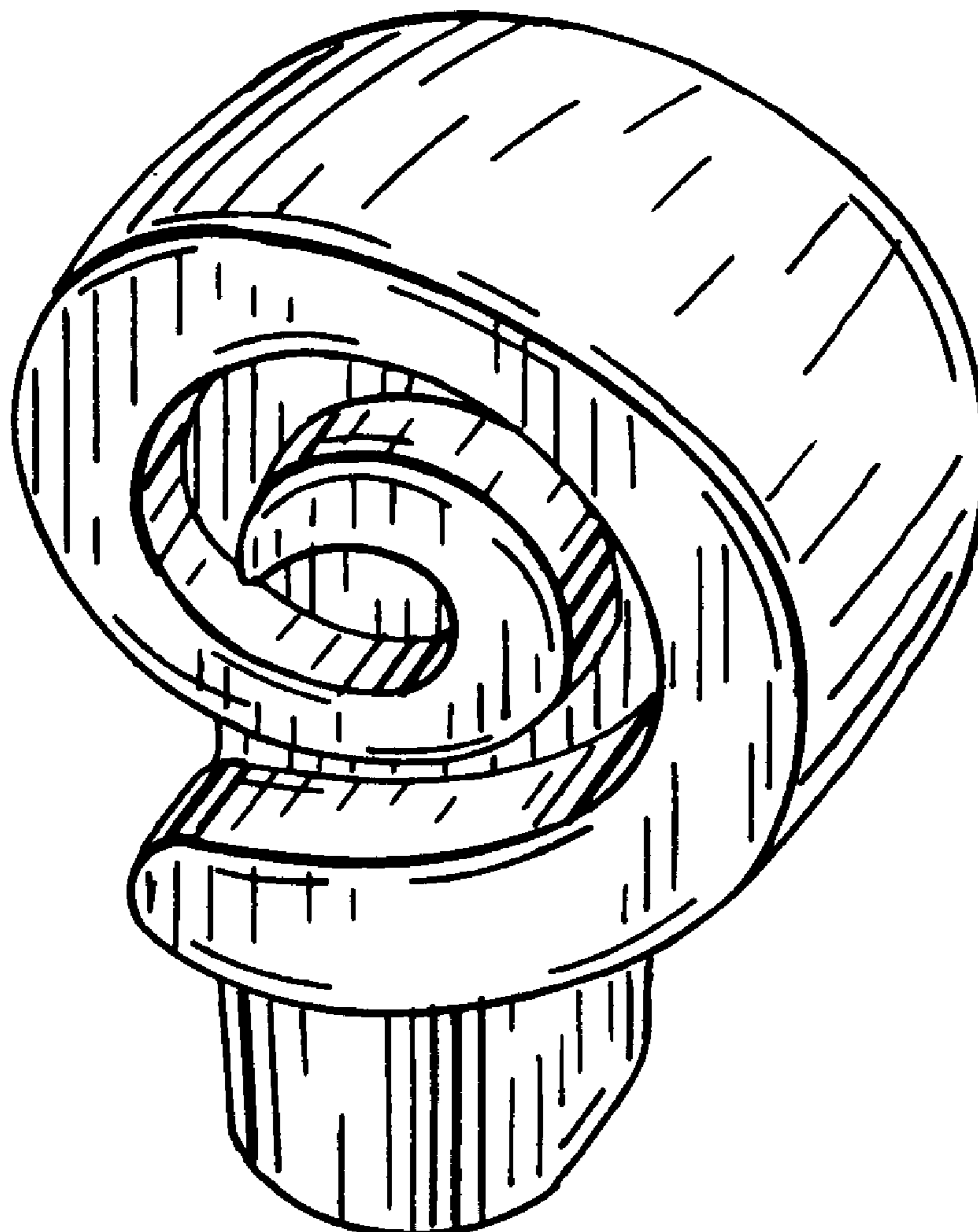
The ornamental design for a knob, as shown and described.

DESCRIPTION

FIG. 1 is a top perspective view of a knob showing the new design.
FIG. 2 is a top plan view of the design.
FIG. 3 is a right side elevation view of the design.
FIG. 4 is a front elevation view of the design. The rear elevation view is a mirror image thereof.
FIG. 5 is a left side elevation view of the design; and,
FIG. 6 is a bottom plan view of the design.
The broken line disclosure in the FIGURES is for illustrative purposes only and forms no part of the claimed design.

[56] **References Cited**
U.S. PATENT DOCUMENTS
D. 205,611 8/1966 Bottom .

1 Claim, 1 Drawing Sheet



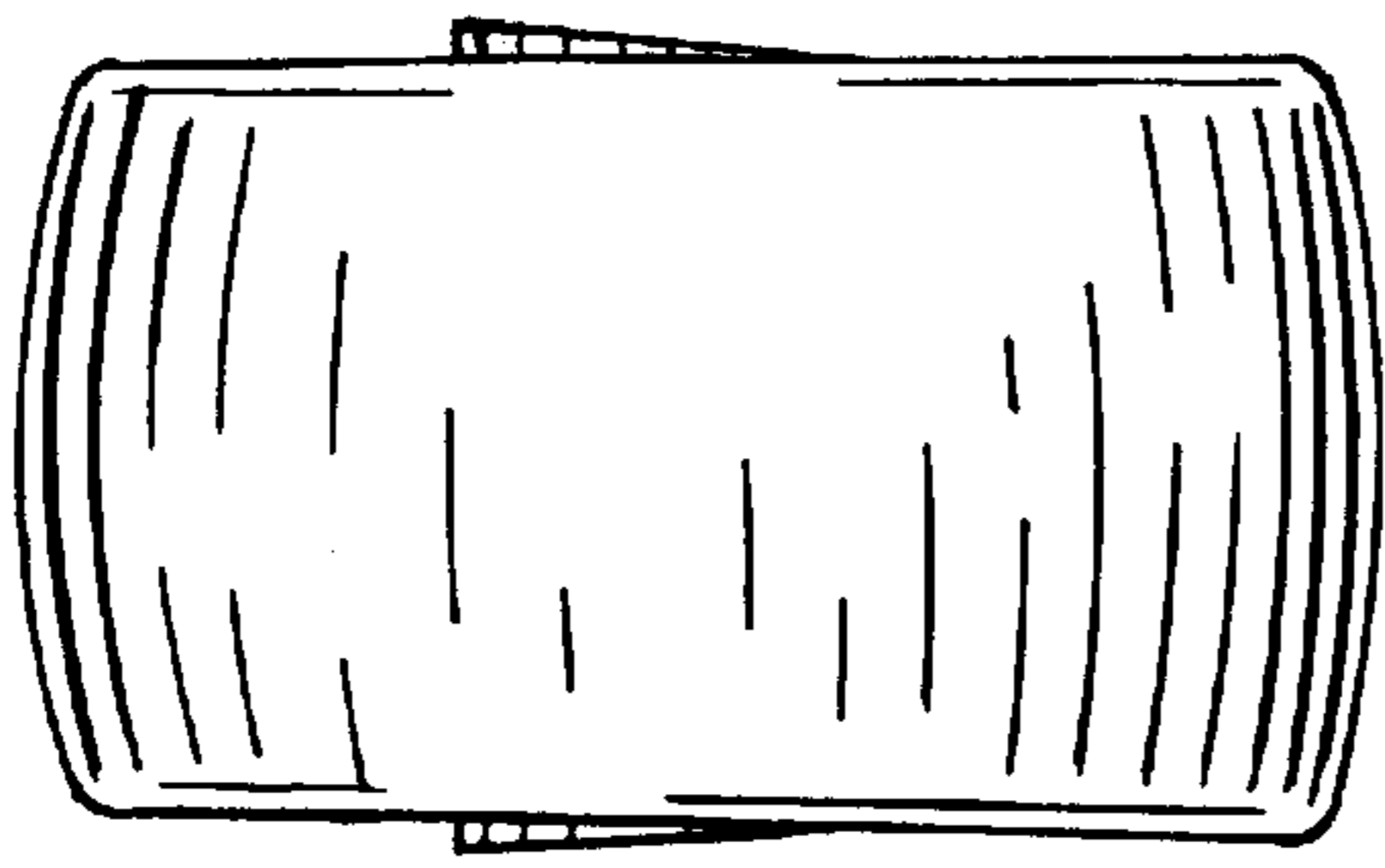


FIG. 2

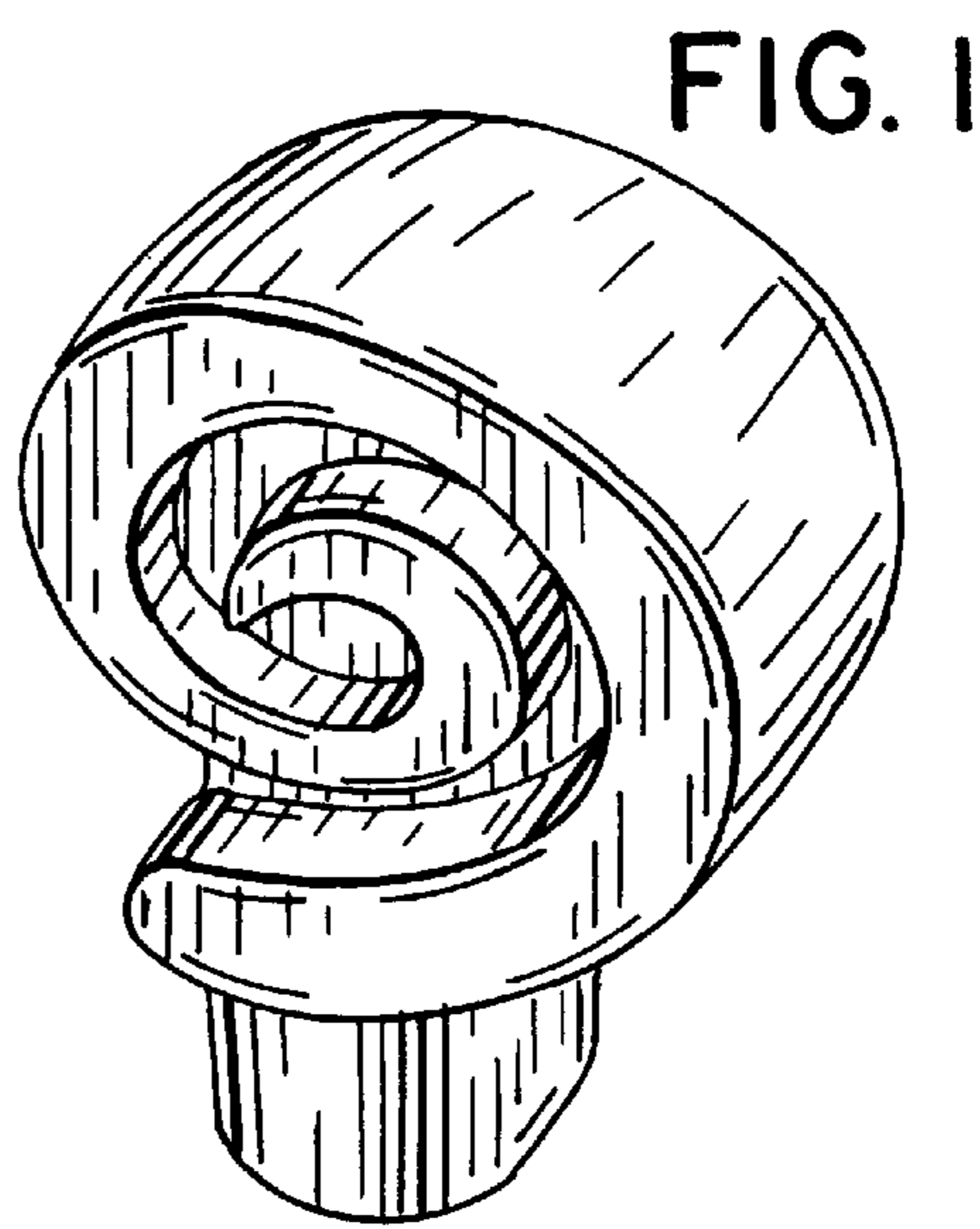


FIG. 1

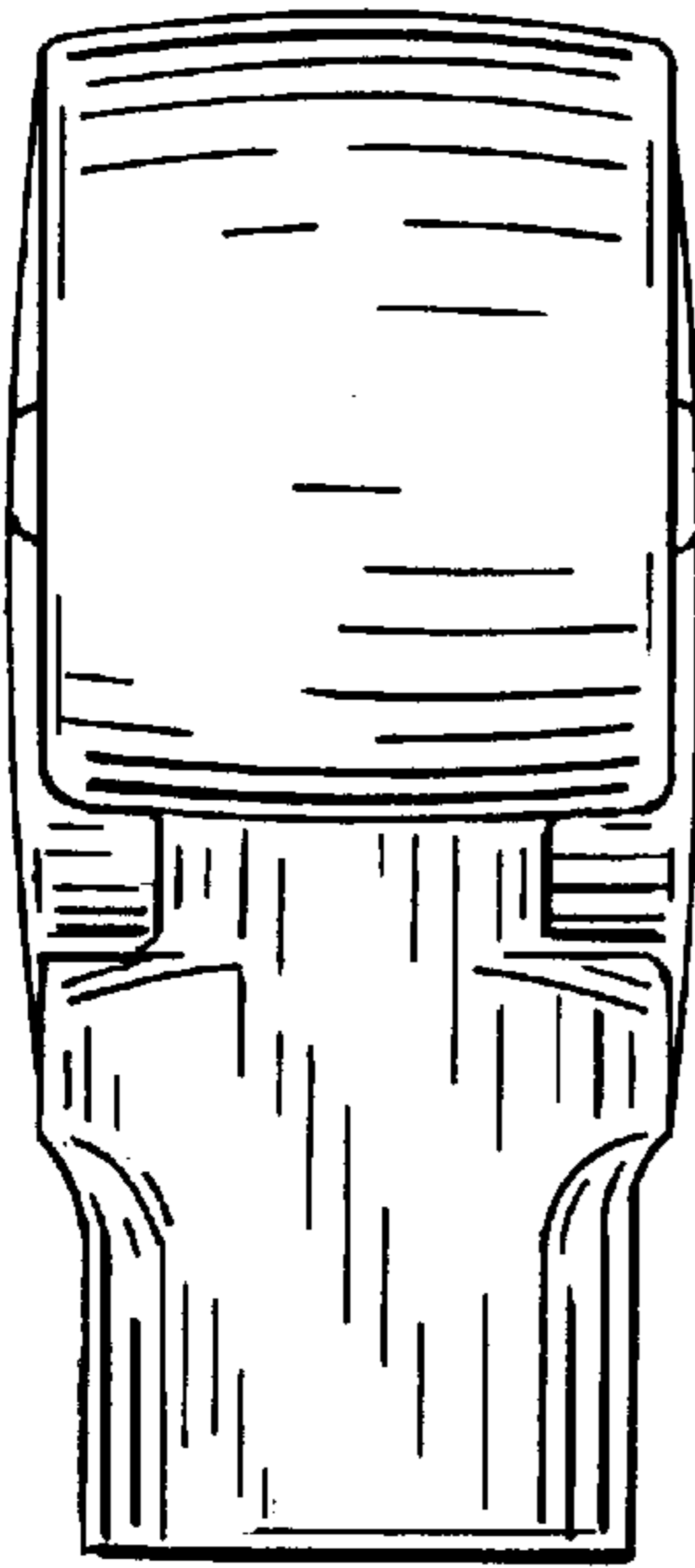


FIG. 3

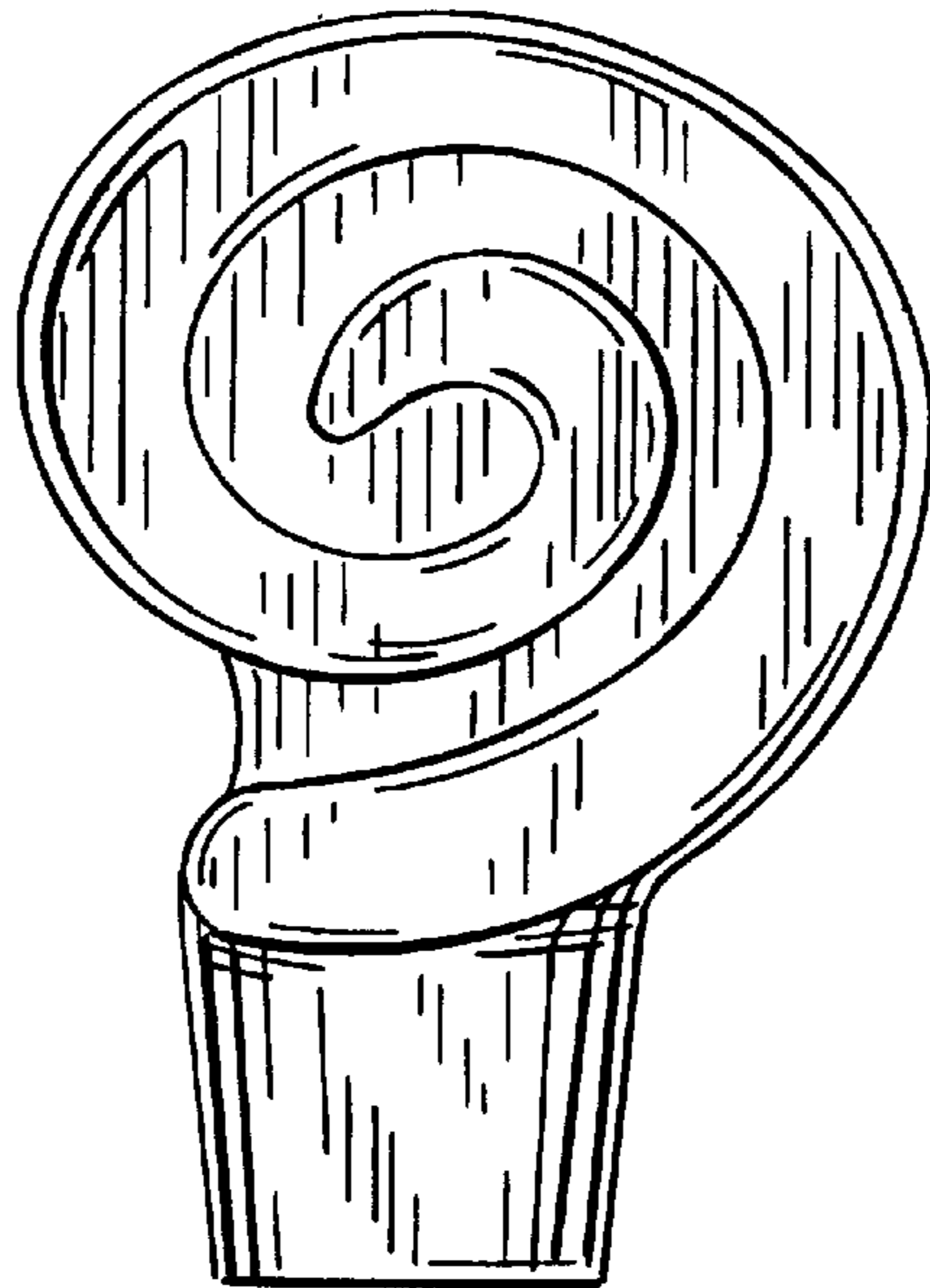


FIG. 4

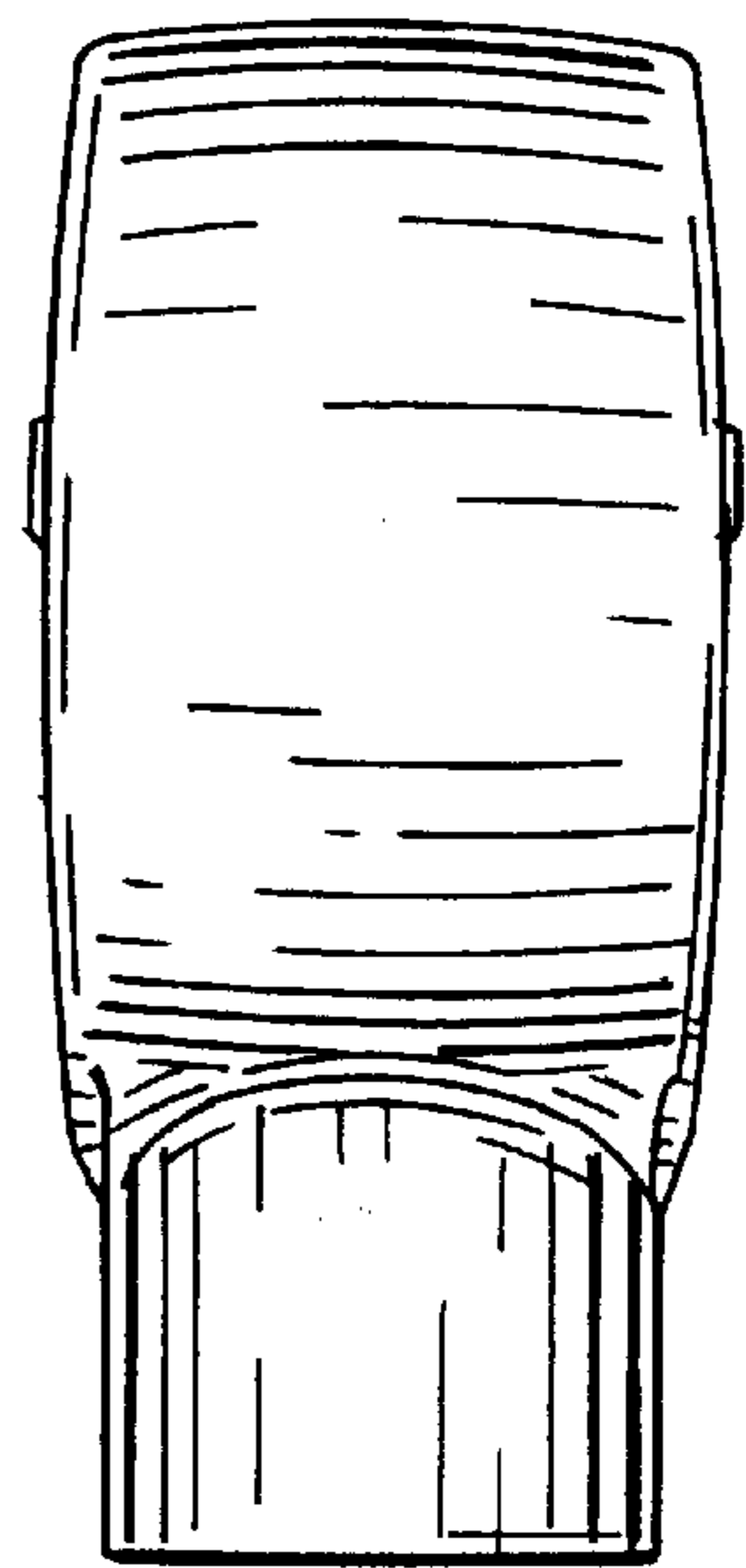


FIG. 5

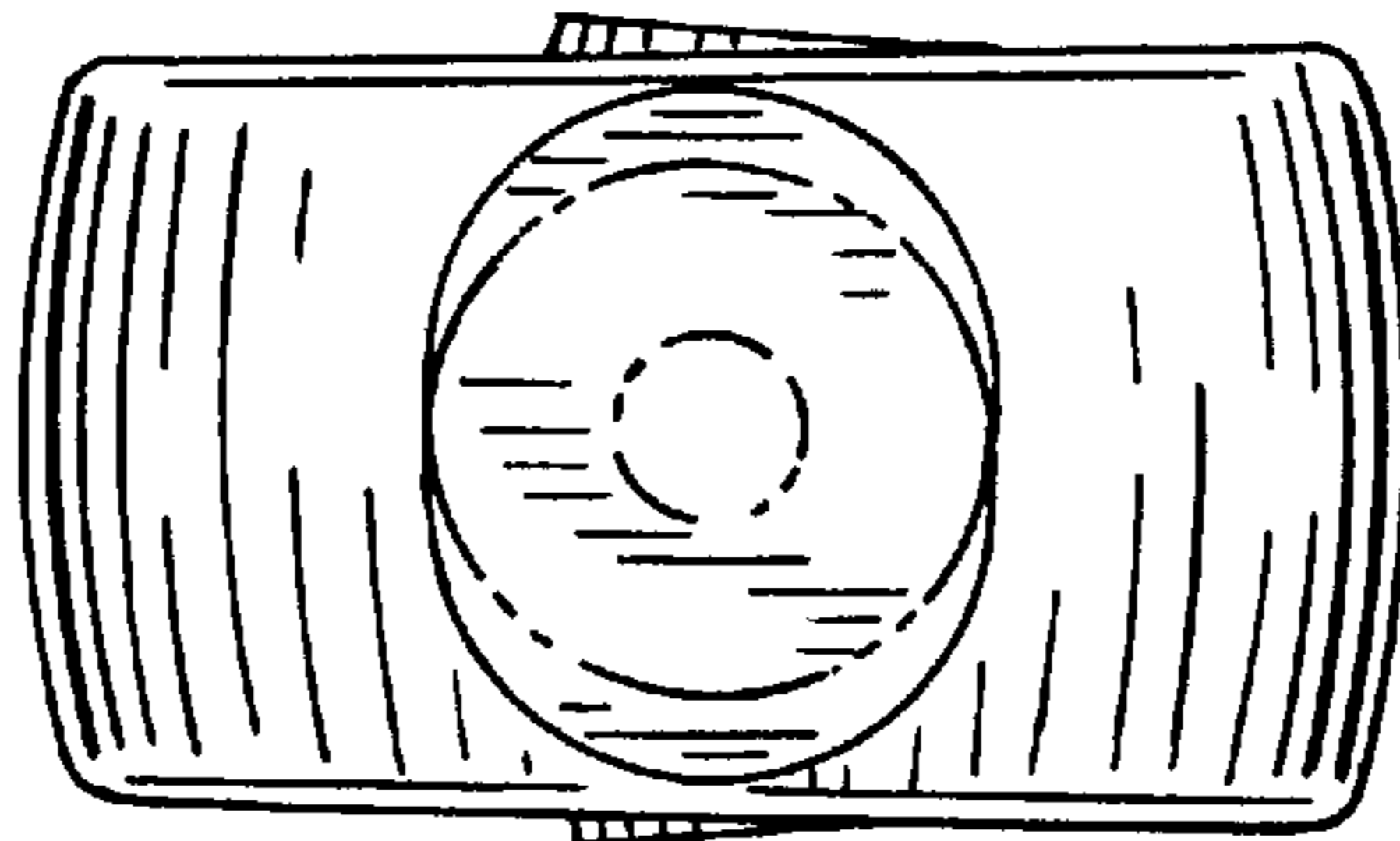


FIG. 6