



US00D411788S

United States Patent [19]

Watson

[11] Patent Number: **Des. 411,788**

[45] Date of Patent: **** Jul. 6, 1999**

[54] **MULTIFUNCTION LANDSCAPE RAKE HEAD**

[76] Inventor: **Thomas J. Watson**, 660 Steward Canyon Rd., Fallbrook, Calif. 92028

[**] Term: **14 Years**

[21] Appl. No.: **29/096,174**

[22] Filed: **Nov. 5, 1998**

[51] **LOC (6) Cl.** **08-01**

[52] **U.S. Cl.** **D8/13**

[58] **Field of Search** D8/13; 56/400.01, 56/400.04-400.21

[56] **References Cited**

U.S. PATENT DOCUMENTS

D. 293,196 12/1987 Germain et al. D8/13

D. 298,907 12/1988 Bonnes D8/13

Primary Examiner—Holly Baynham
Attorney, Agent, or Firm—Loyal McKinley Hanson

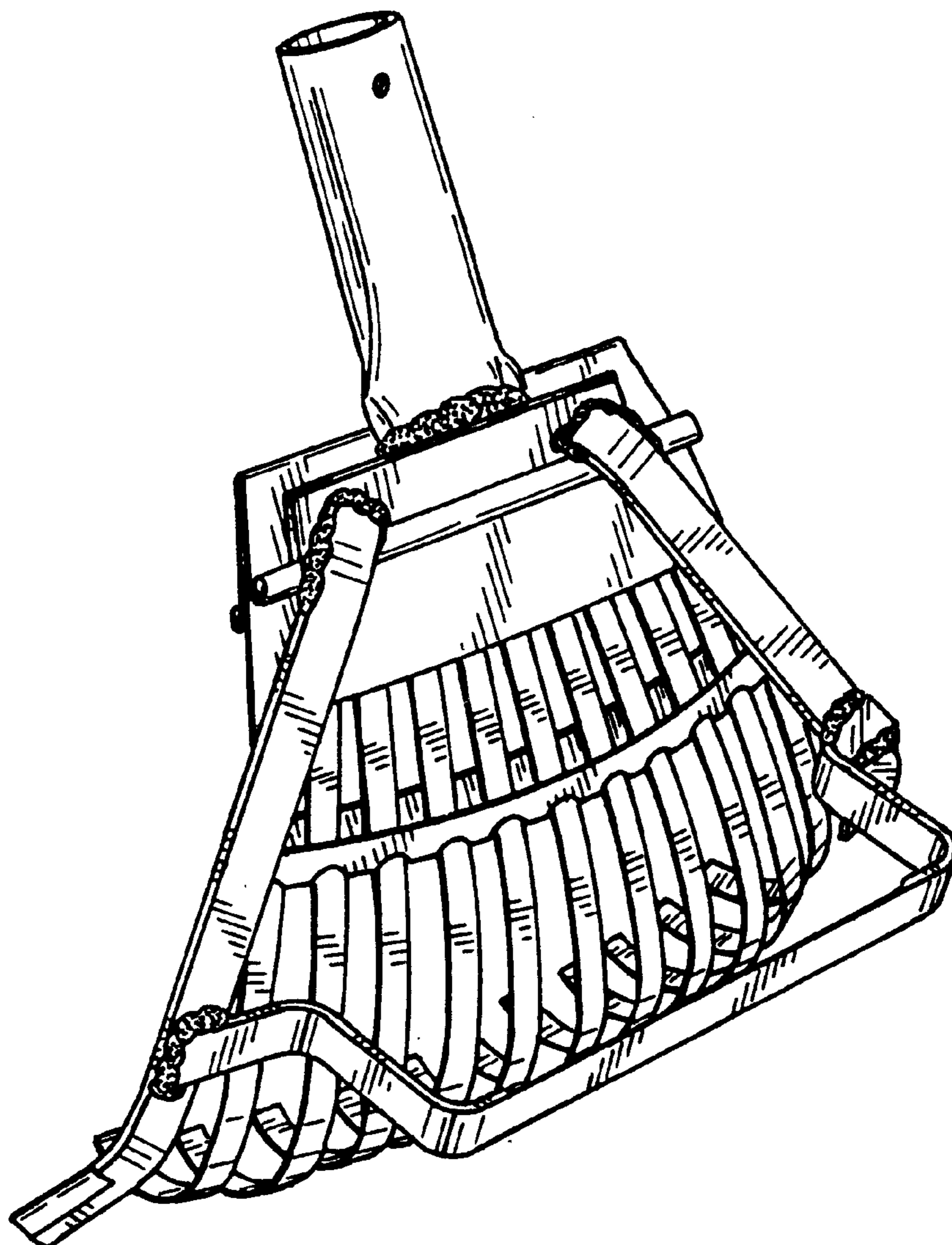
[57] **CLAIM**

I claim the ornamental design for a multifunction landscape rake head, as shown.

DESCRIPTION

FIG. 1 of the drawings is a perspective view showing the front, top, and right side of a multifunction landscape rake head embodying the design of my invention; FIG. 2 is a front view; FIG. 3 is a right side view; FIG. 4 is a left side view; FIG. 5 is a back view; and, FIG. 6 is a bottom view.

1 Claim, 2 Drawing Sheets



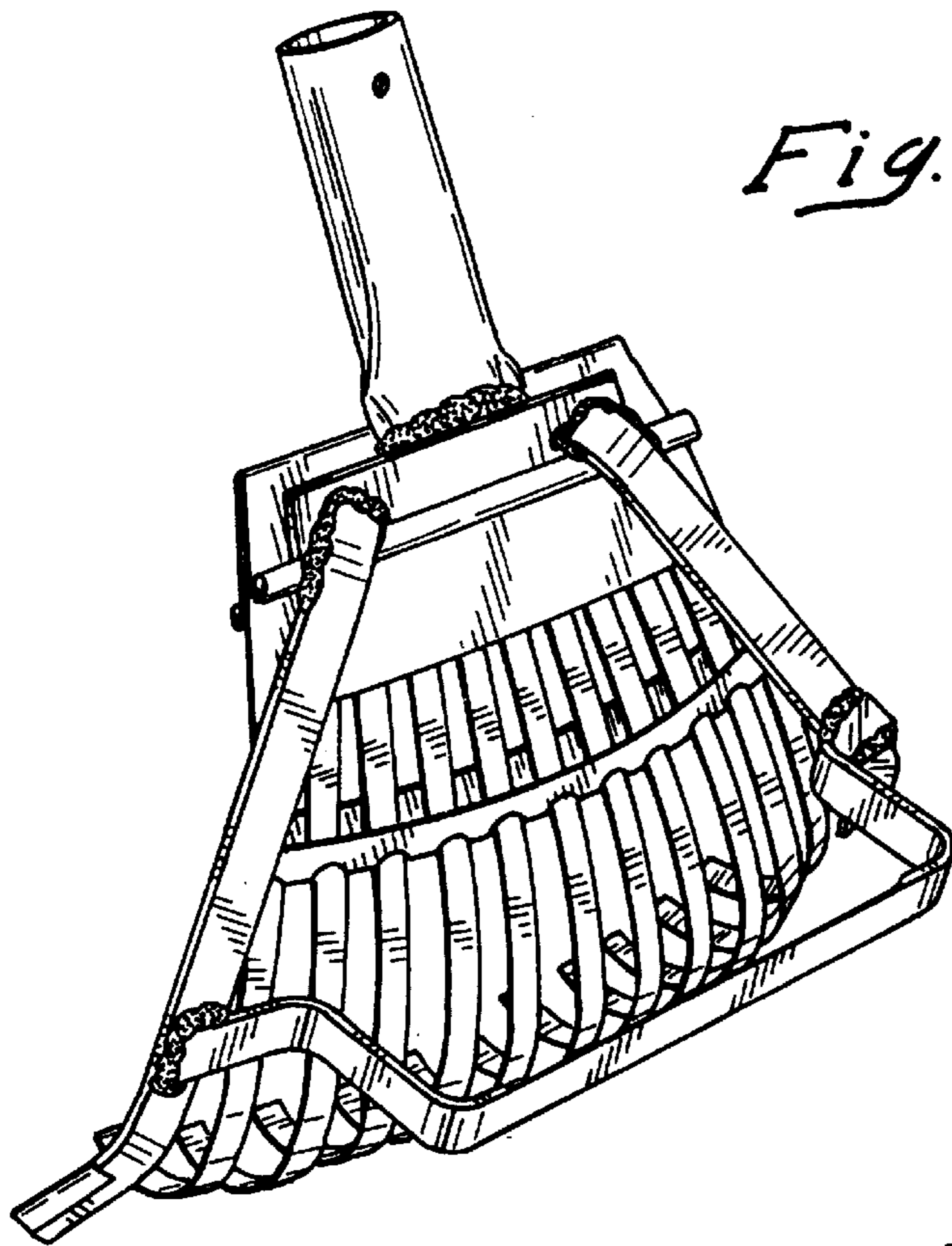


Fig. 1

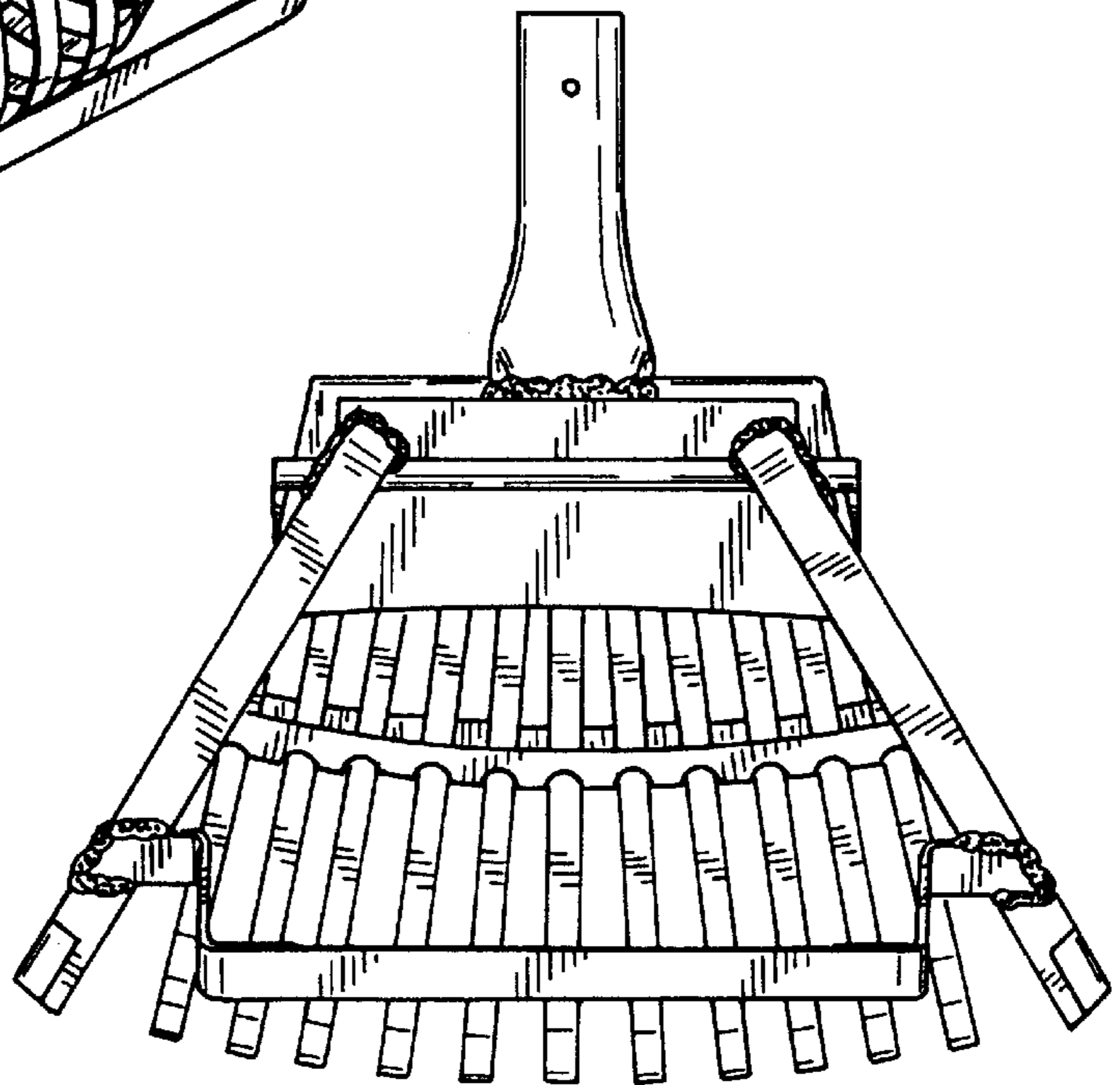


Fig. 2

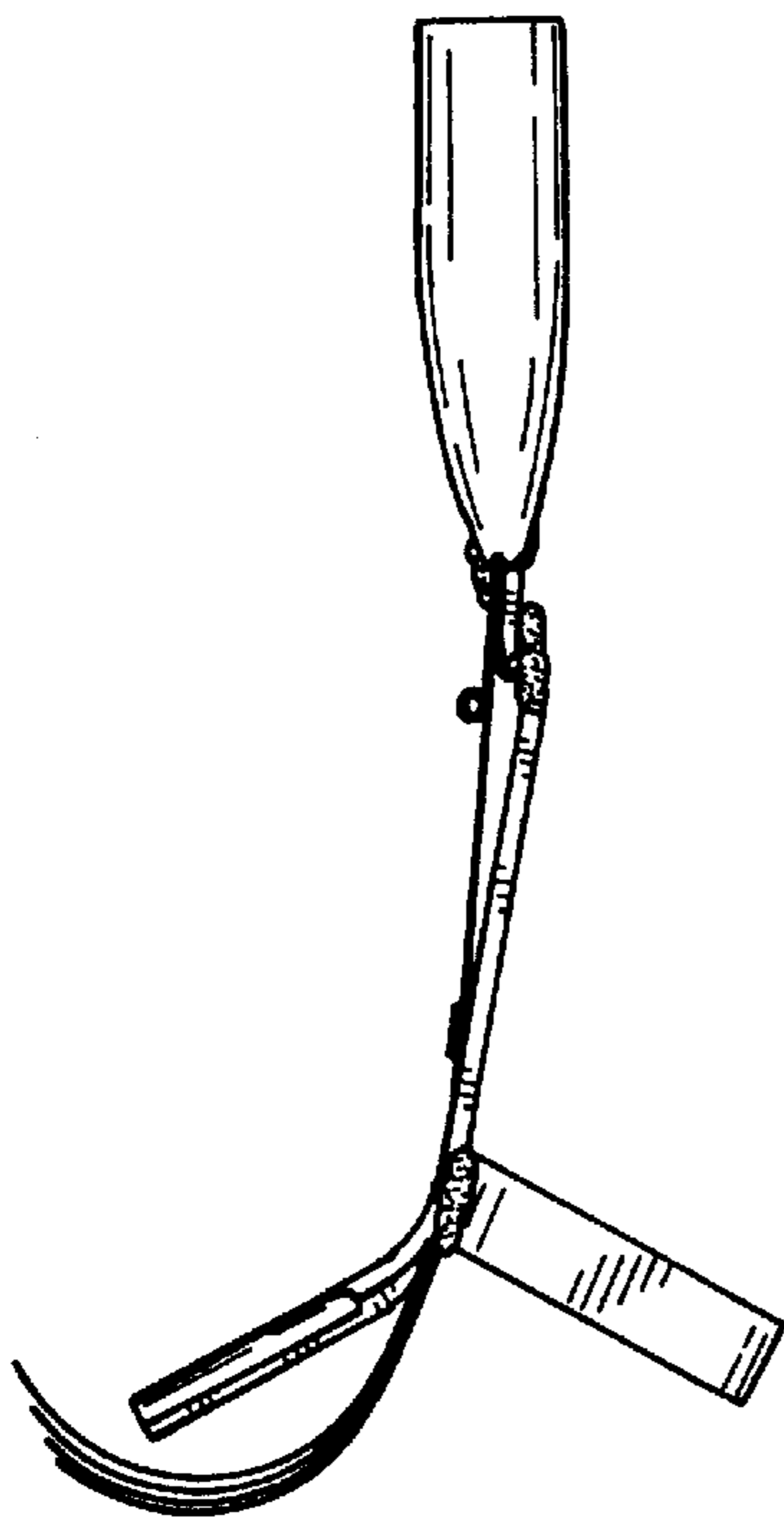


Fig. 3

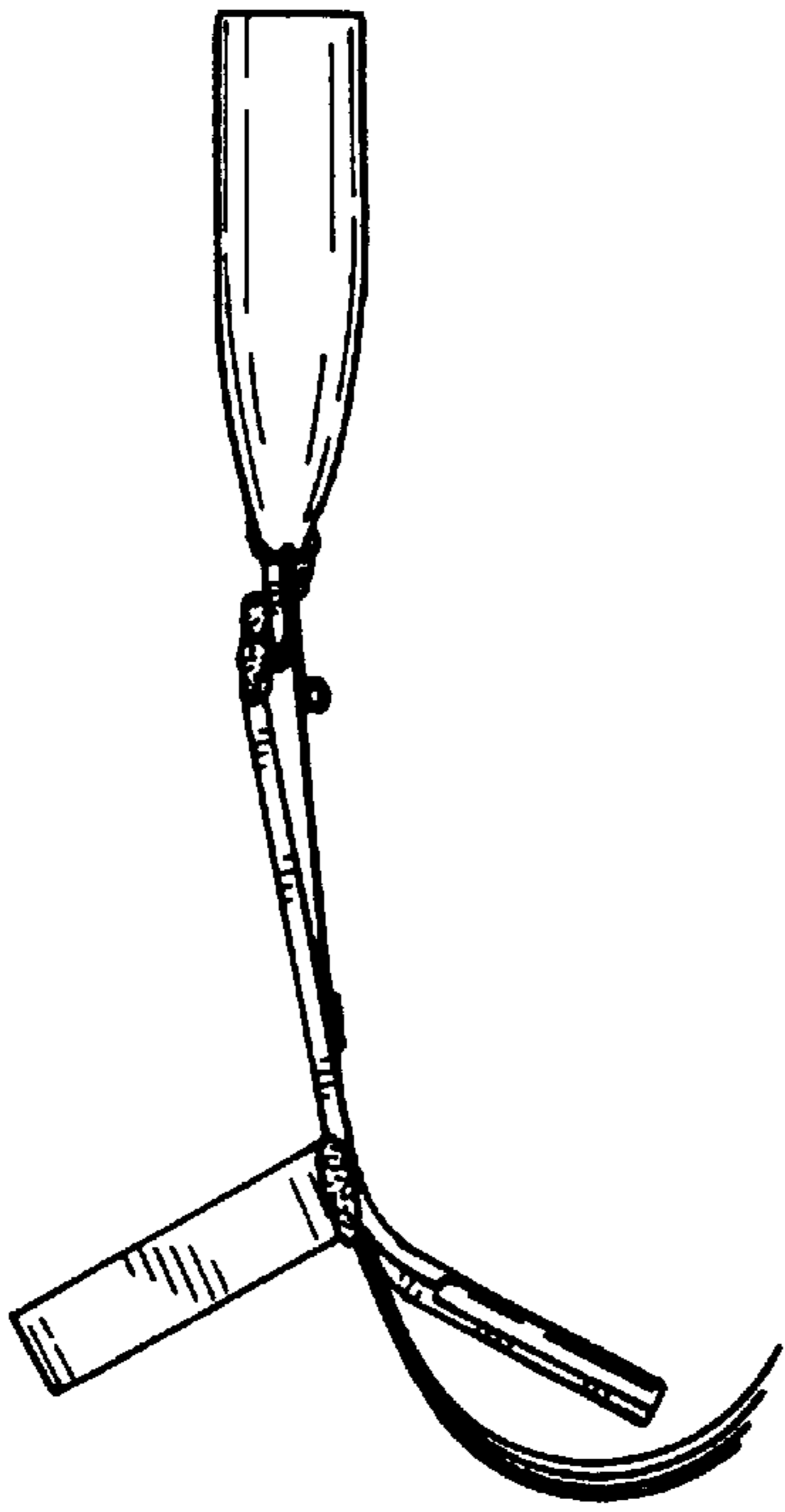


Fig. 4

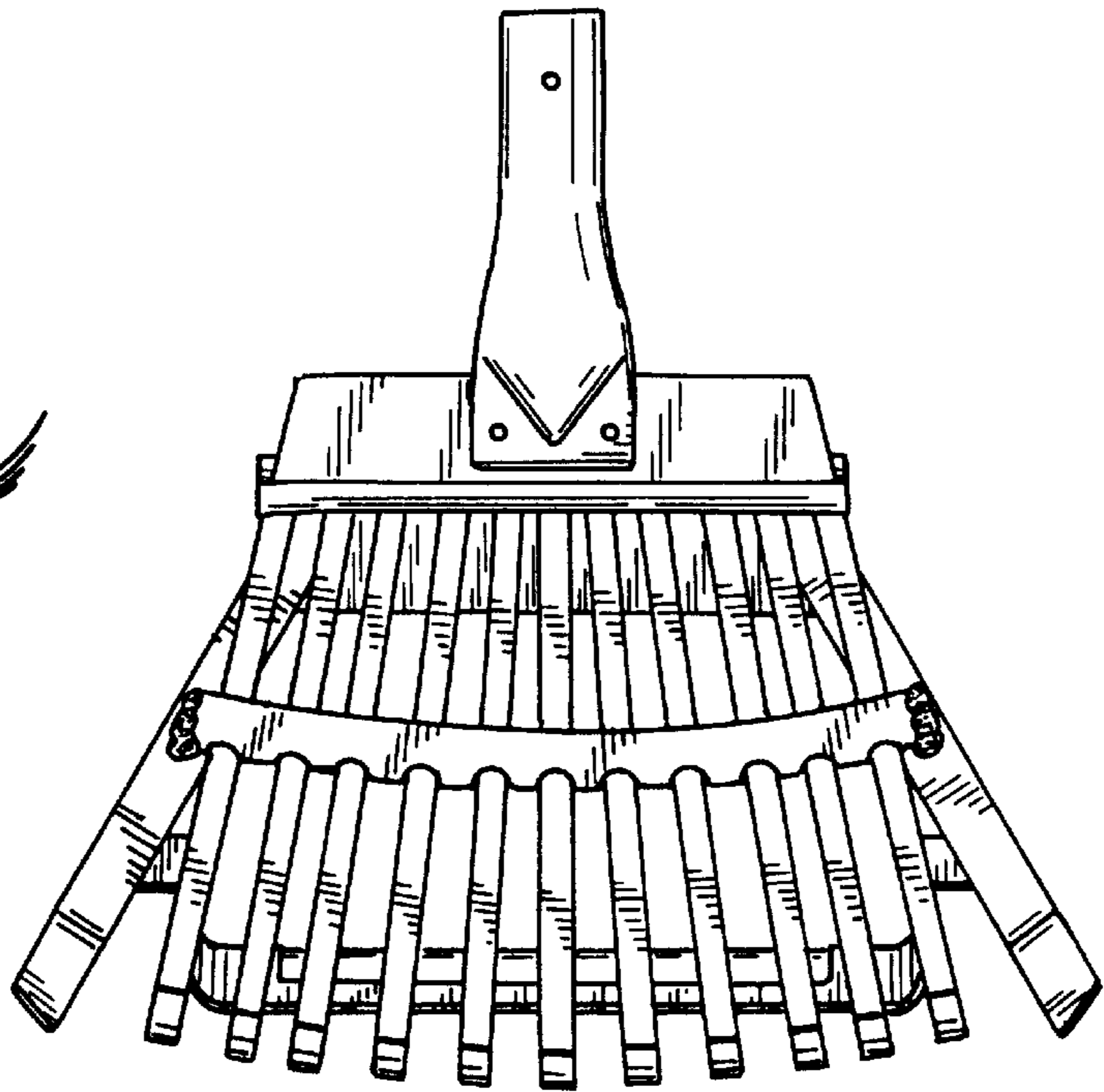


Fig. 5

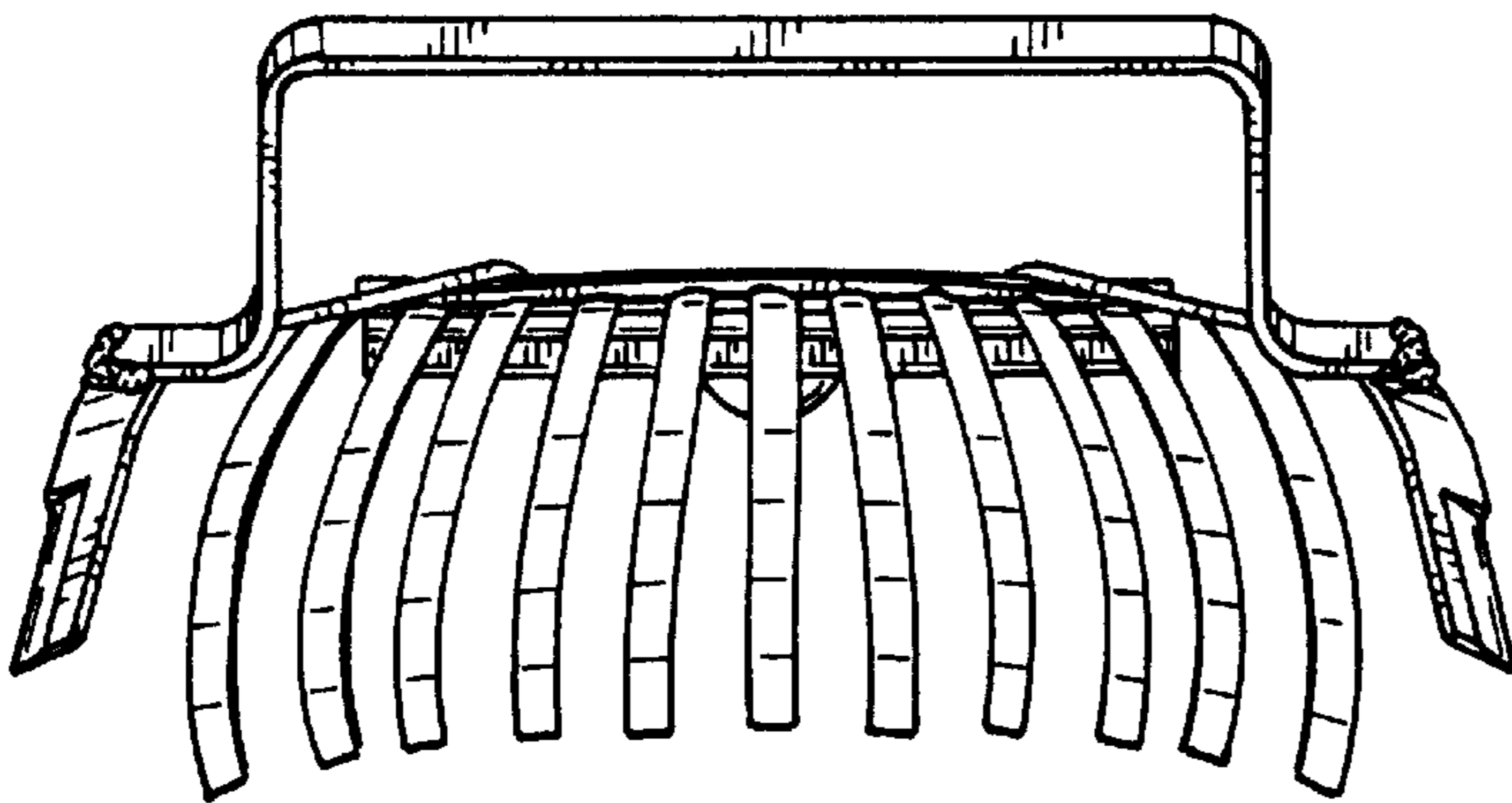


Fig. 6