



US00D411782S

United States Patent [19]
Husted

[11] **Patent Number: Des. 411,782**
[45] **Date of Patent: ** Jul. 6, 1999**

[54] **BARBECUE GRILL TOP**

[75] Inventor: **Wayne Husted**, Mill Valley, Calif.

[73] Assignee: **Benson Barbecue L.P.**, San Francisco, Calif.

[**] Term: **14 Years**

[21] Appl. No.: **29/082,328**

[22] Filed: **Jan. 20, 1998**

[51] **LOC (6) Cl.** **07-02**

[52] **U.S. Cl.** **D7/402; D7/332; D7/334**

[58] **Field of Search** D7/332-337, 339-341, D7/347-348, 402-405; 126/9 R, 25 R, 25 A-25 AA, 26, 29-30, 38, 39 E, 39 L, 40, 41 R, 51; 99/419-420, 421 R, 421 H, 443 R-443 C, 422, 425, 444, 446

[56] **References Cited**

U.S. PATENT DOCUMENTS

| | | | | |
|------------|---------|------------------|-------|----------|
| D. 323,952 | 2/1992 | Wagner et al. | | D7/332 |
| D. 339,714 | 9/1993 | Leblanc et al. | | D7/334 |
| D. 362,153 | 9/1995 | Home | | D7/334 |
| D. 373,701 | 9/1996 | Moore | | D7/334 |
| D. 386,937 | 12/1997 | Pai | | D7/334 |
| 5,460,159 | 10/1995 | Bussey | | 126/25 R |
| 5,536,518 | 7/1996 | Rummel | | 426/523 |
| 5,755,154 | 5/1998 | Schroeter et al. | | 99/401 |

OTHER PUBLICATIONS

Char-Broil Catalogue, copyright 1997, p. 24. "Masterflame 2", models 46-38811 & 46-38810.

Frontgate catalog, "Splash", Summer 1998., p. 22, 2nd pg. not numbered.

Williams-Sonoma, "A Catalog For Cooks", Early Autumn 1998. pp. 64, 65, 66, 67.

Primary Examiner—Ruth McInroy
Attorney, Agent, or Firm—Donald L. Beeson

[57] **CLAIM**

The ornamental design for a barbecue grill top, as shown and described.

DESCRIPTION

FIG. 1 is a top perspective view of a barbecue grill top showing my new design with the barbecue top in its closed position;

FIG. 2 is an enlarged front elevational view thereof;

FIG. 3 is an enlarged right side elevational view thereof;

FIG. 4 is an enlarged left side elevational view thereof;

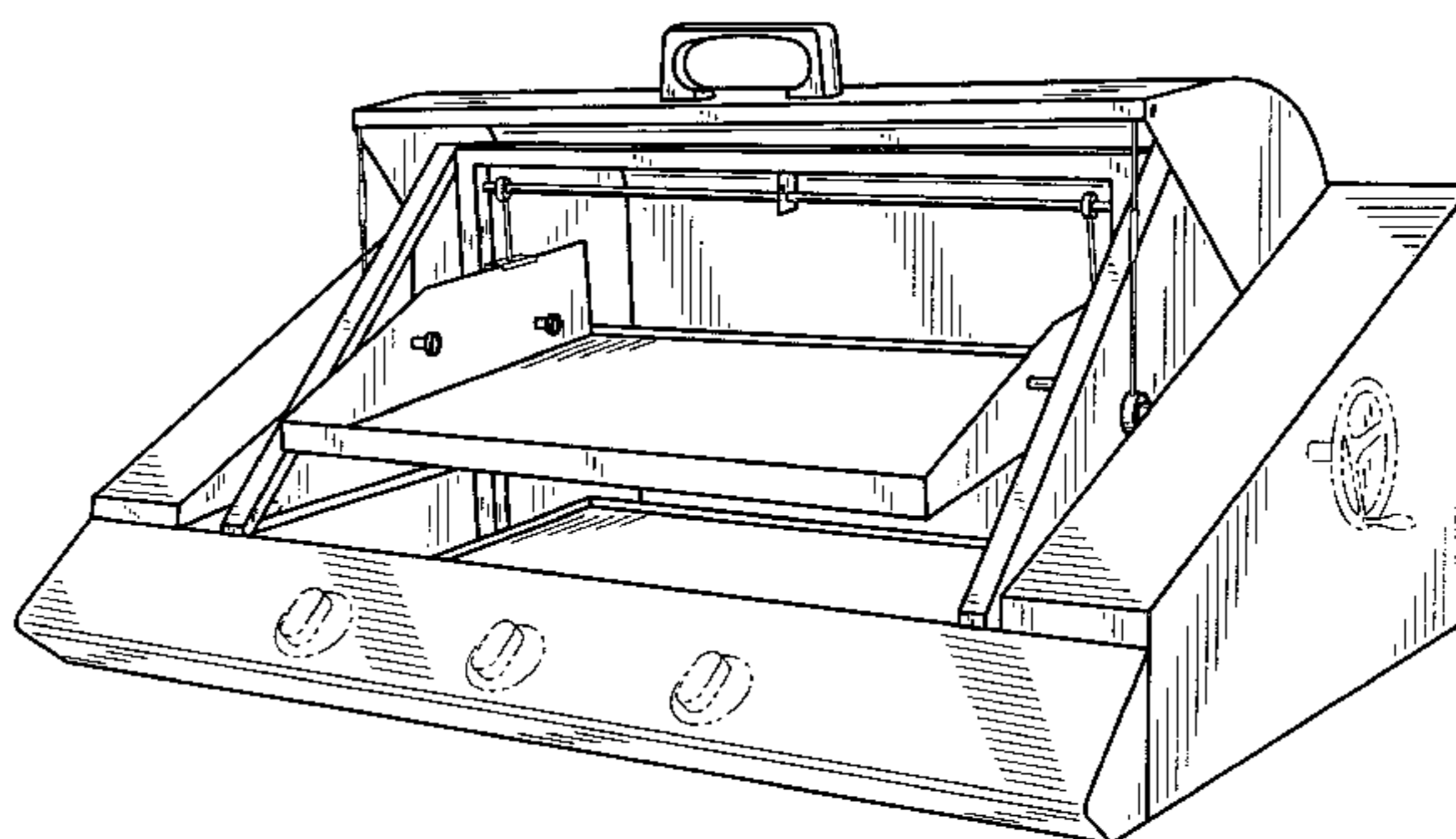
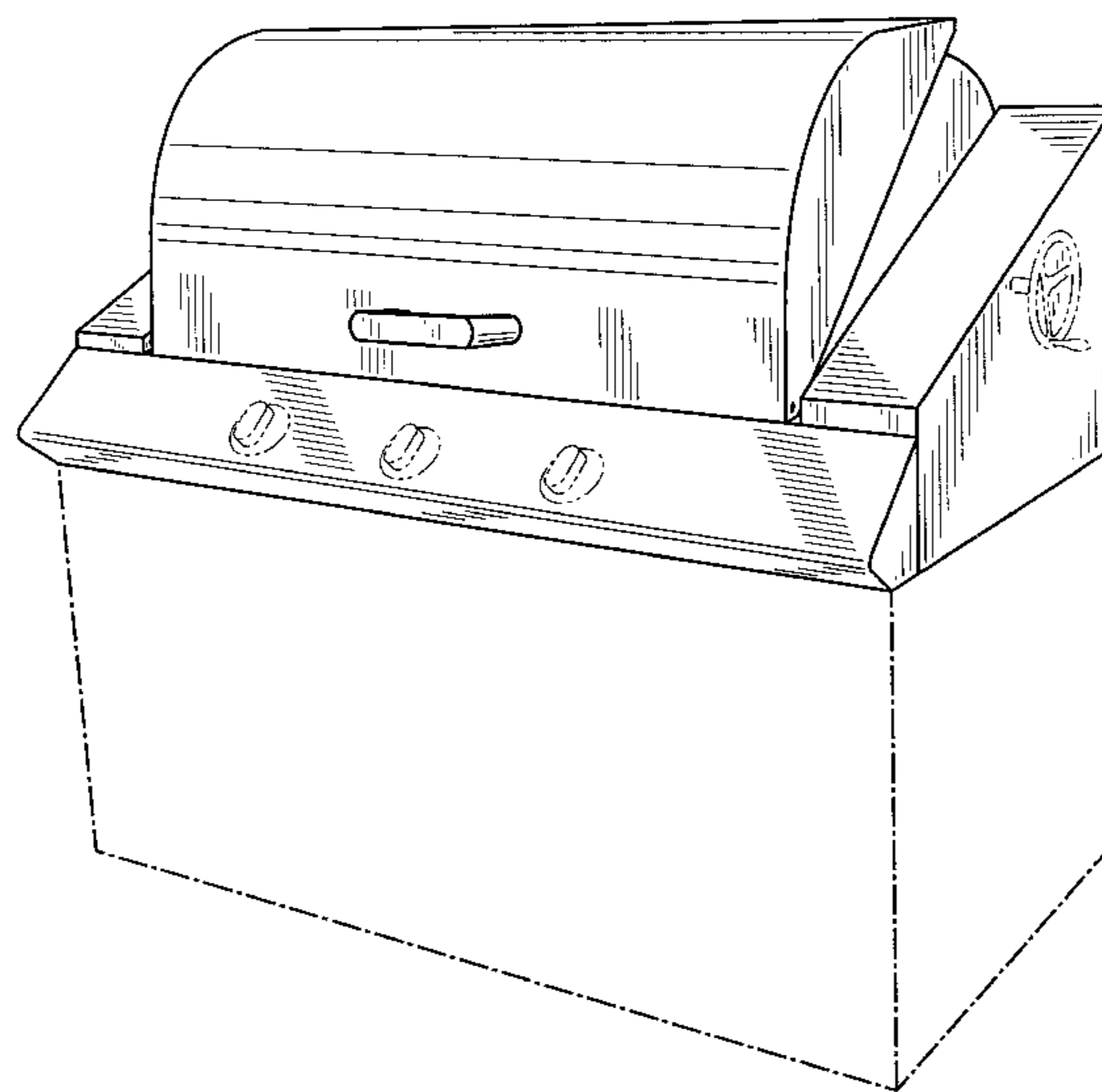
FIG. 5 is an enlarged rear elevational view thereof;

FIG. 6 is an enlarged top plan view thereof; and,

FIG. 7 is another top perspective view showing the barbecue top in its open position.

The broken lines are shown in FIGS. 1-7 for illustrative purposes only and indicate the nature and use of my new design.

1 Claim, 5 Drawing Sheets



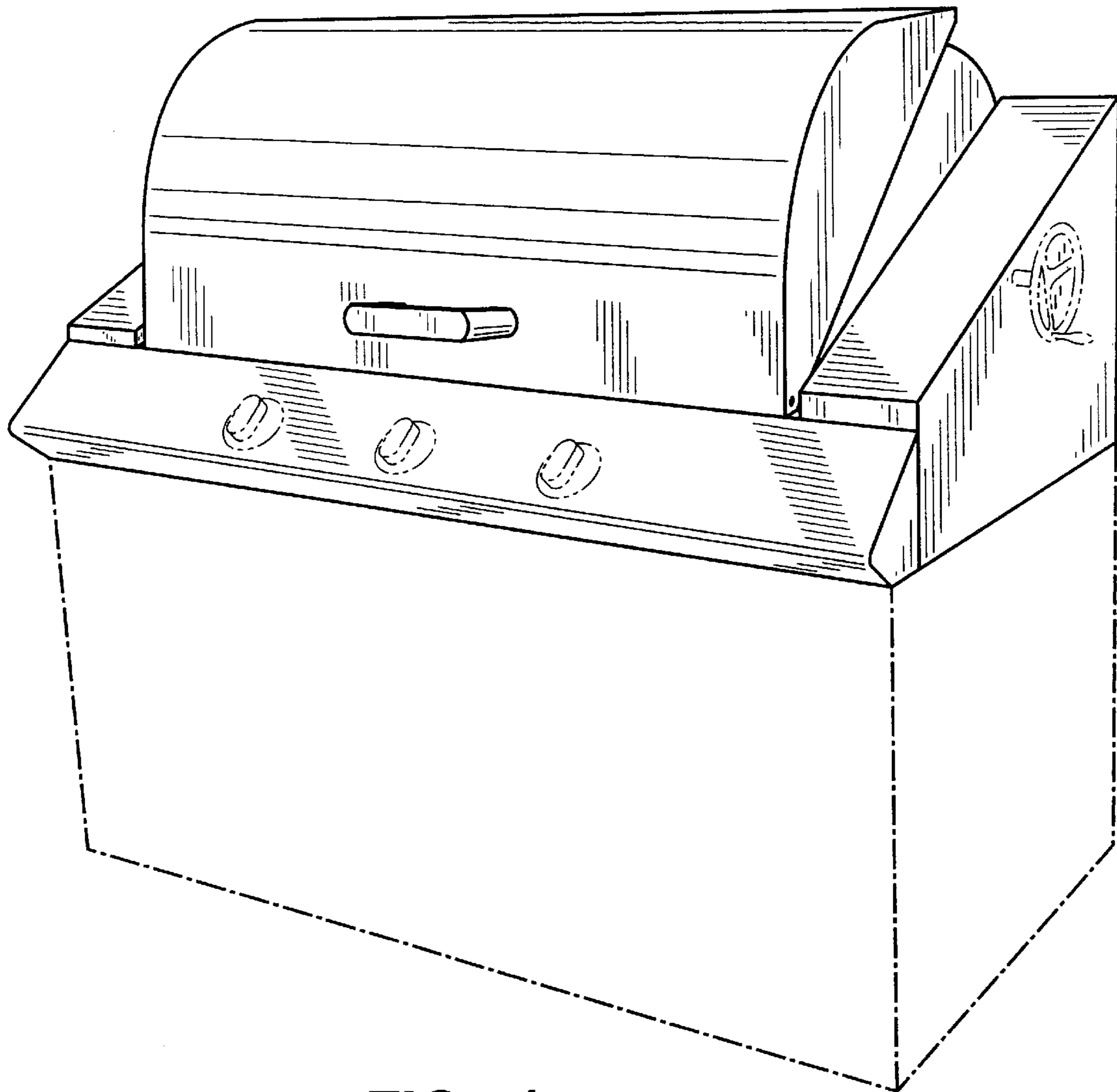


FIG. 1

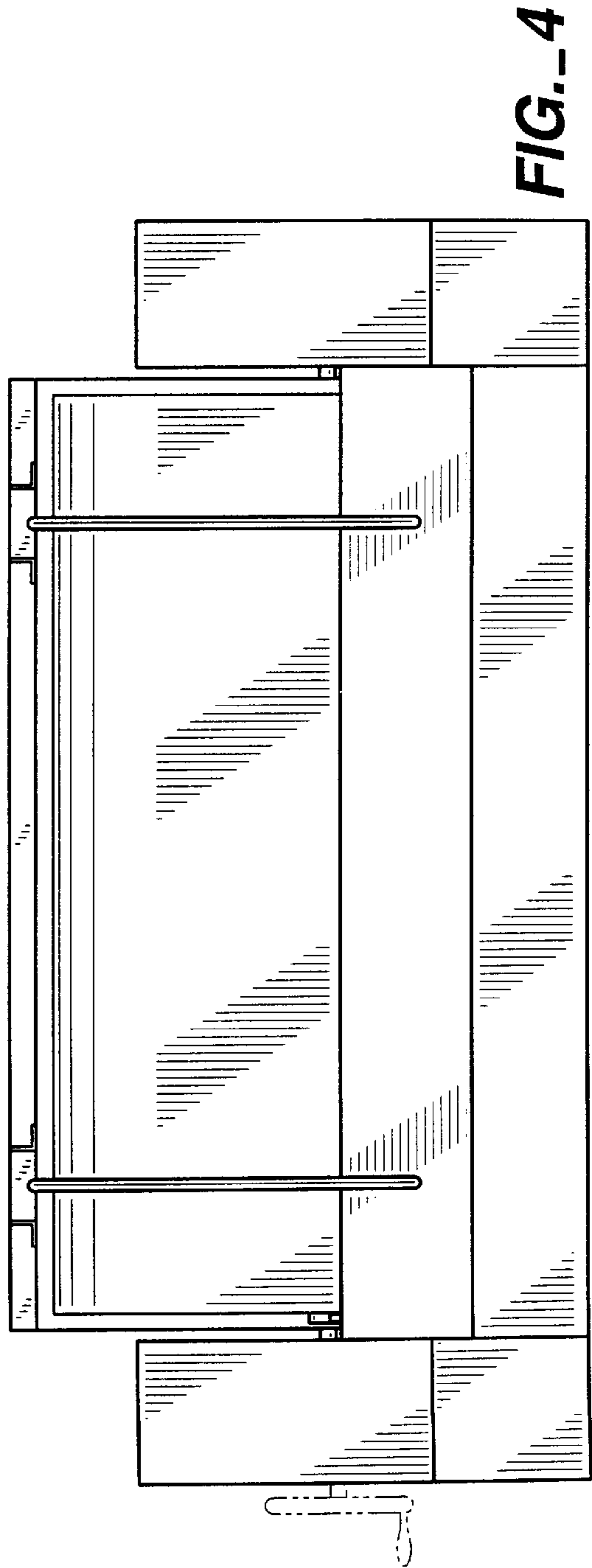
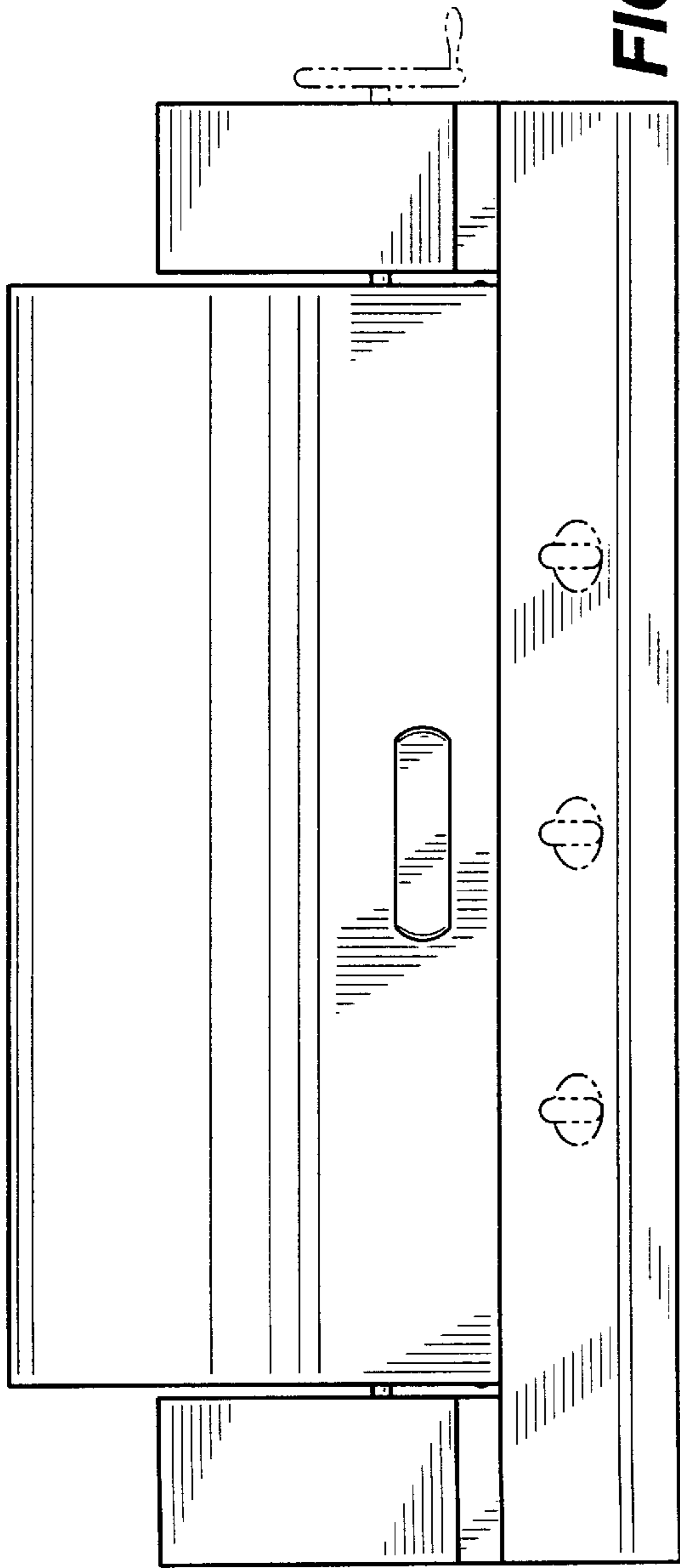


FIG. 5

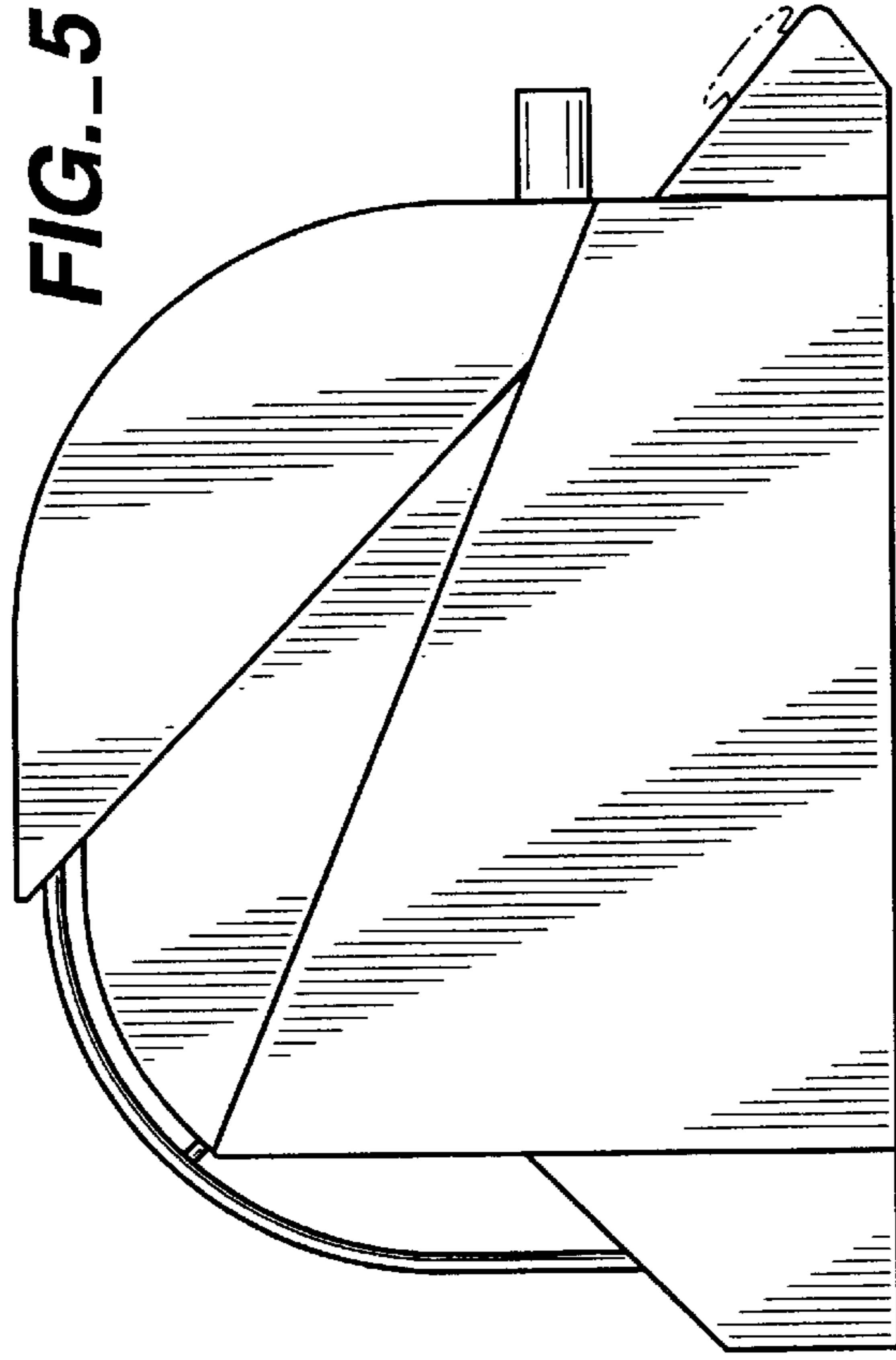
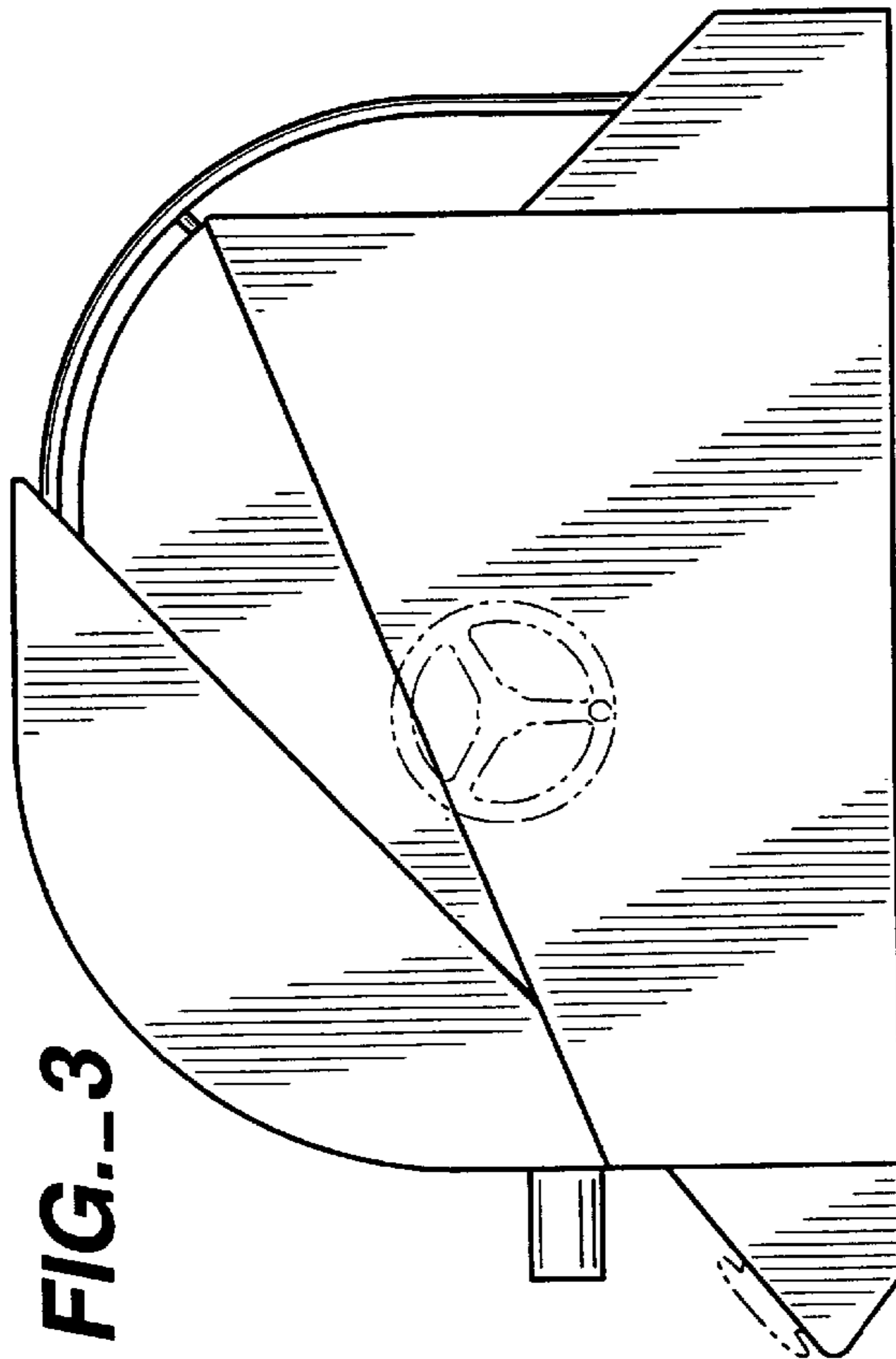


FIG. 3



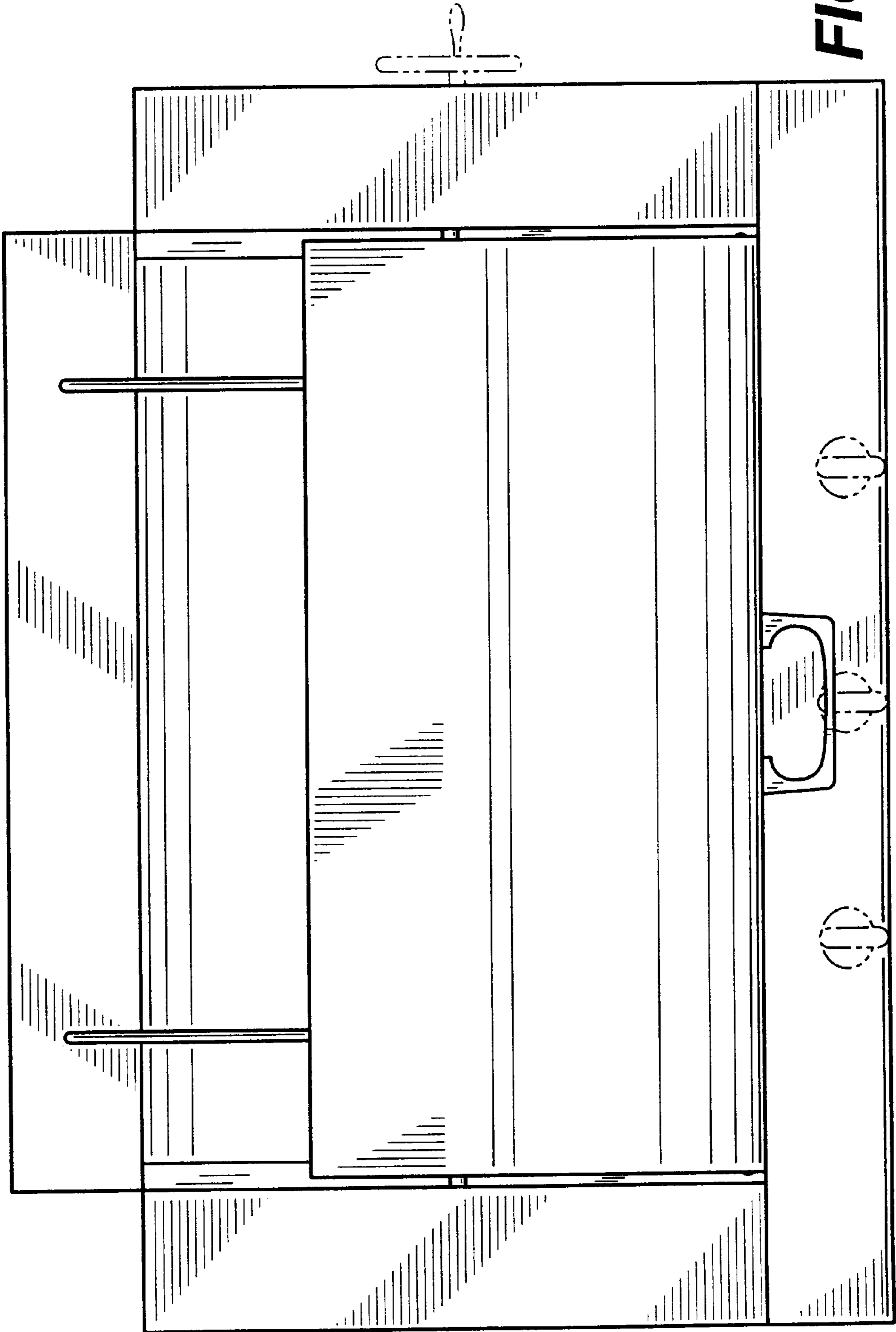


FIG.-6

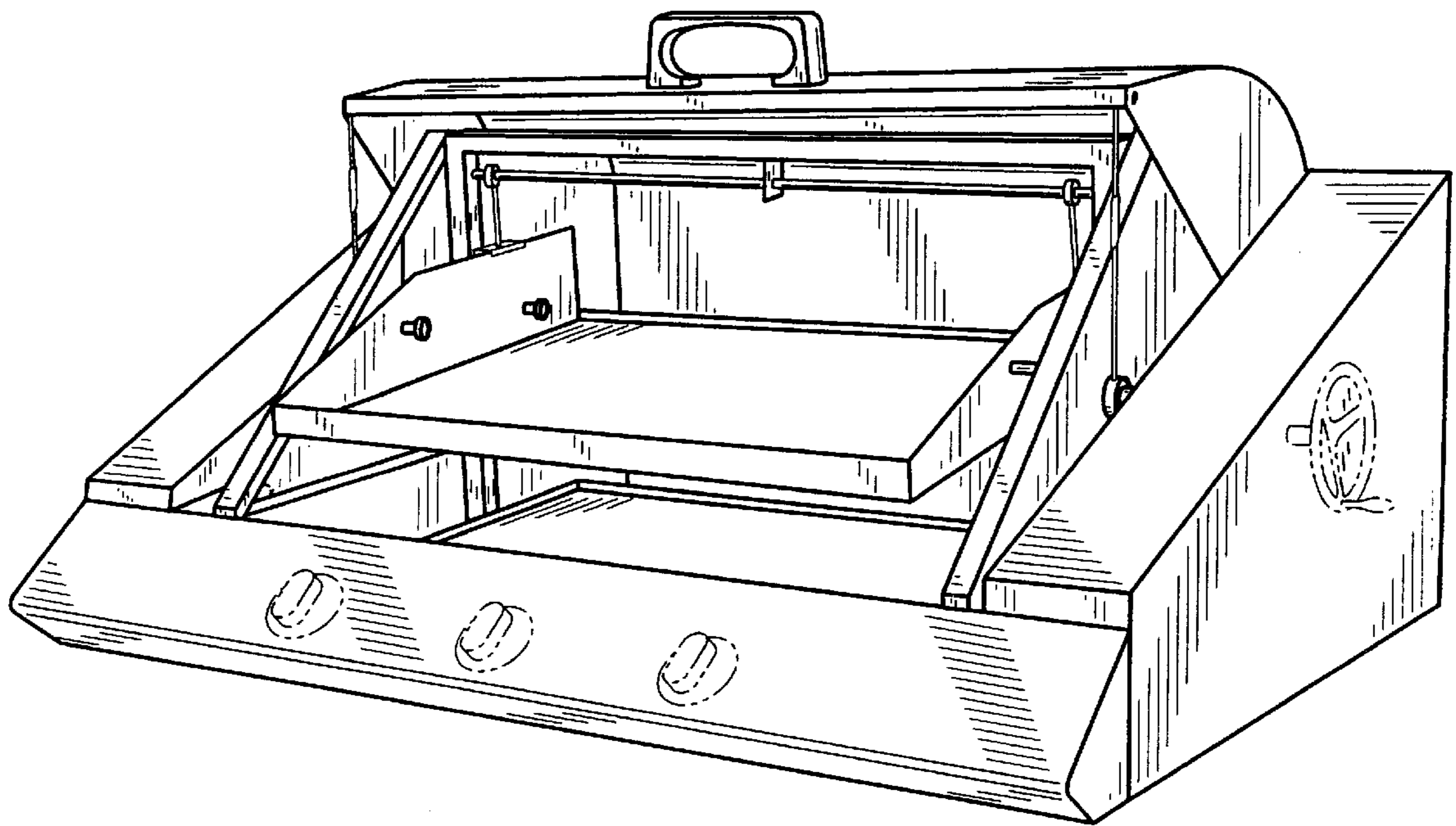


FIG. 7