



US00D411779S

United States Patent [19] Husted

[11] **Patent Number: Des. 411,779**
[45] **Date of Patent: ** Jul. 6, 1999**

[54] **BARBECUE GRILL**

[75] Inventor: **Wayne Husted**, Mill Valley, Calif.

[73] Assignee: **Benson Barbecue L.P.**, San Francisco, Calif.

[**] Term: **14 Years**

[21] Appl. No.: **29/082,331**

[22] Filed: **Jan. 20, 1998**

[51] **LOC (6) Cl.** **07-02**

[52] **U.S. Cl.** **D7/332**

[58] **Field of Search** D7/332-337, 339-341, D7/347-348, 402-405; 126/9 R, 25 R, 25 A-25 AA, 26, 29-30, 38, 39 E, 39 L, 40, 41 R, 51; 99/419-420, 421 R, 421 H, 443 R-443 C, 422, 425, 444, 446

[56] **References Cited**

U.S. PATENT DOCUMENTS

D. 299,305	1/1989	Vollborn	D7/332
D. 323,952	2/1992	Wagner et al.	D7/332
D. 339,714	9/1993	Lablanc et al.	D7/334
D. 362,153	9/1995	Home	D7/334
D. 373,701	9/1996	Moore	D7/334
D. 386,937	12/1997	Pai	D7/334
5,460,159	10/1995	Bussey	126/25 R
5,536,518	7/1996	Rummel	426/401
5,755,154	5/1998	Schroeter et al.	99/401

OTHER PUBLICATIONS

Char-Broil Catalogue, copyright 1997, p. 24. "Masterflame 2", models 46-38811 & 46-39910, ©1997.
Frontgate catalog, "SPLASH", Summer 1998., p. 22, 2nd pg. no page #.
Williams-Sonoma, "A Catalog For Cooks", Early Autumn 1998. pp. 64, 65, 66, 67.

Primary Examiner—Ruth McInroy
Attorney, Agent, or Firm—Donald L. Beeson

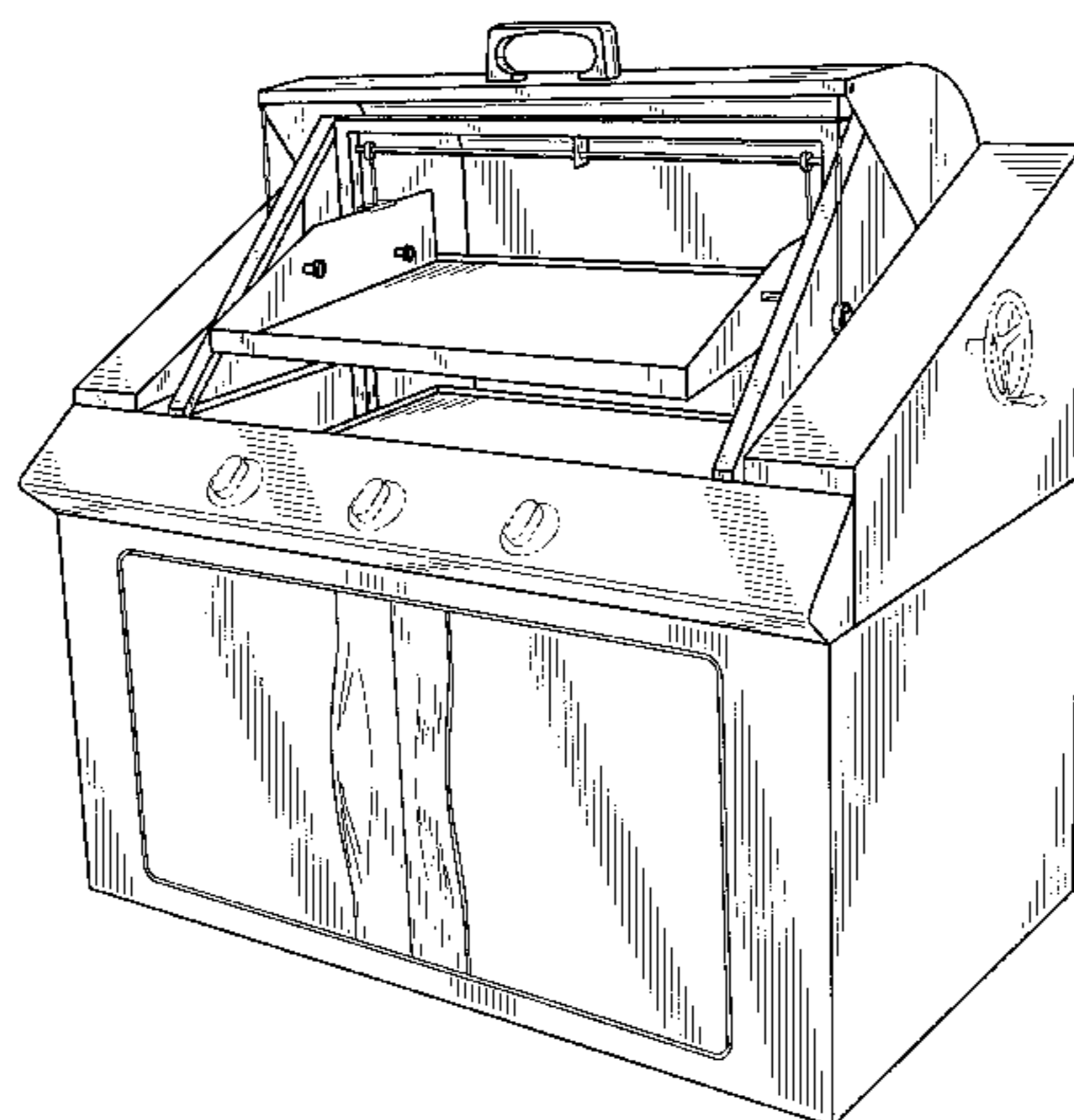
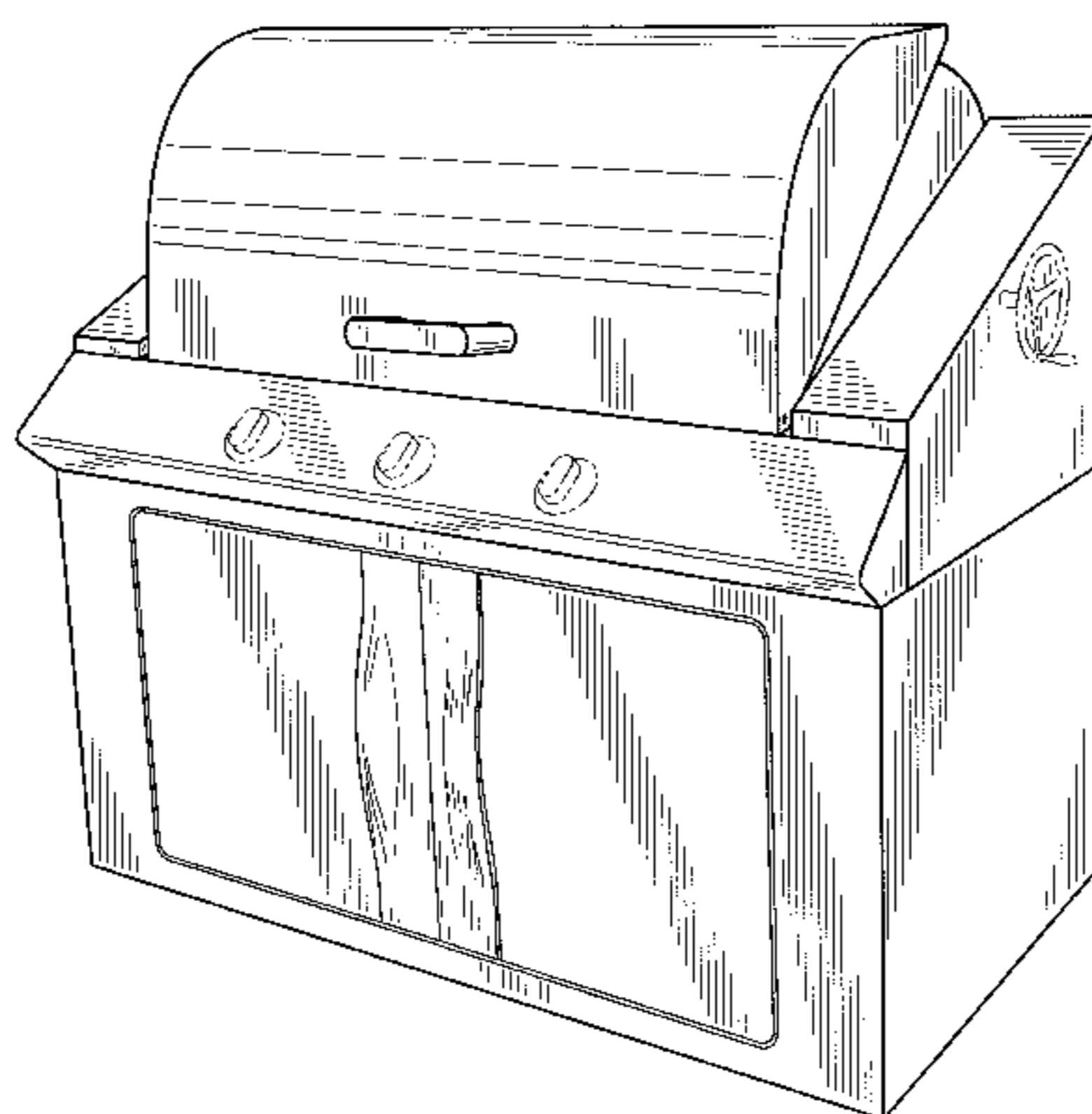
[57] **CLAIM**

The ornamental design for a barbecue grill, as shown and described.

DESCRIPTION

FIG. 1 is a top perspective view of a barbecue grill showing my new design with the barbecue cover in its closed position;
FIG. 2 is an enlarged front elevational view thereof;
FIG. 3 is an enlarged right side elevational view thereof;
FIG. 4 is an enlarged left side elevational view thereof;
FIG. 5 is an enlarged rear elevational view thereof;
FIG. 6 is an enlarged top plan view thereof; and,
FIG. 7 is another top perspective view thereof showing the barbecue cover in its open position.
The broken lines are shown in FIGS. 1-7 for illustrative purposes only and indicate the nature and use of my new design.

1 Claim, 6 Drawing Sheets



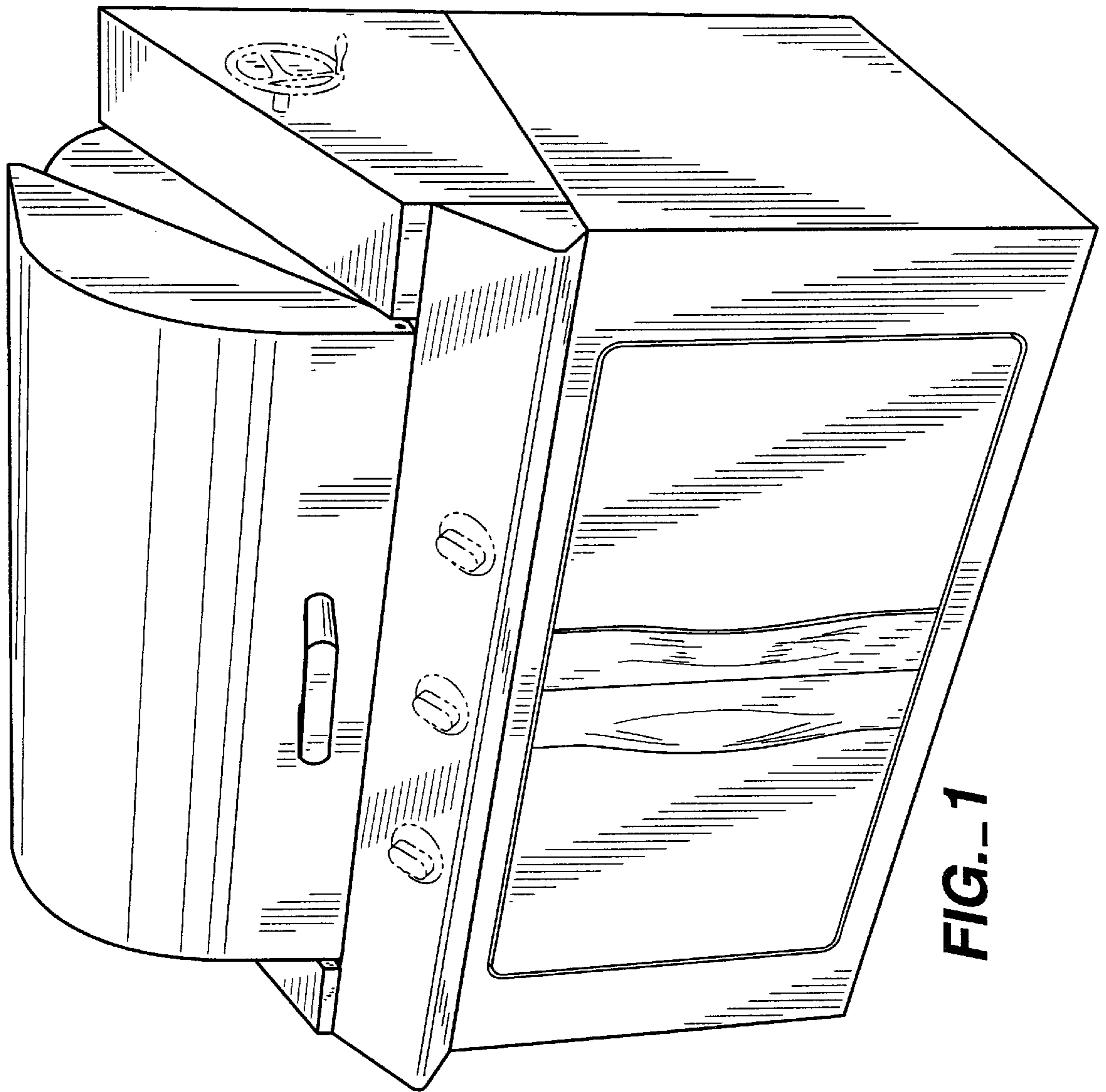


FIG.-1

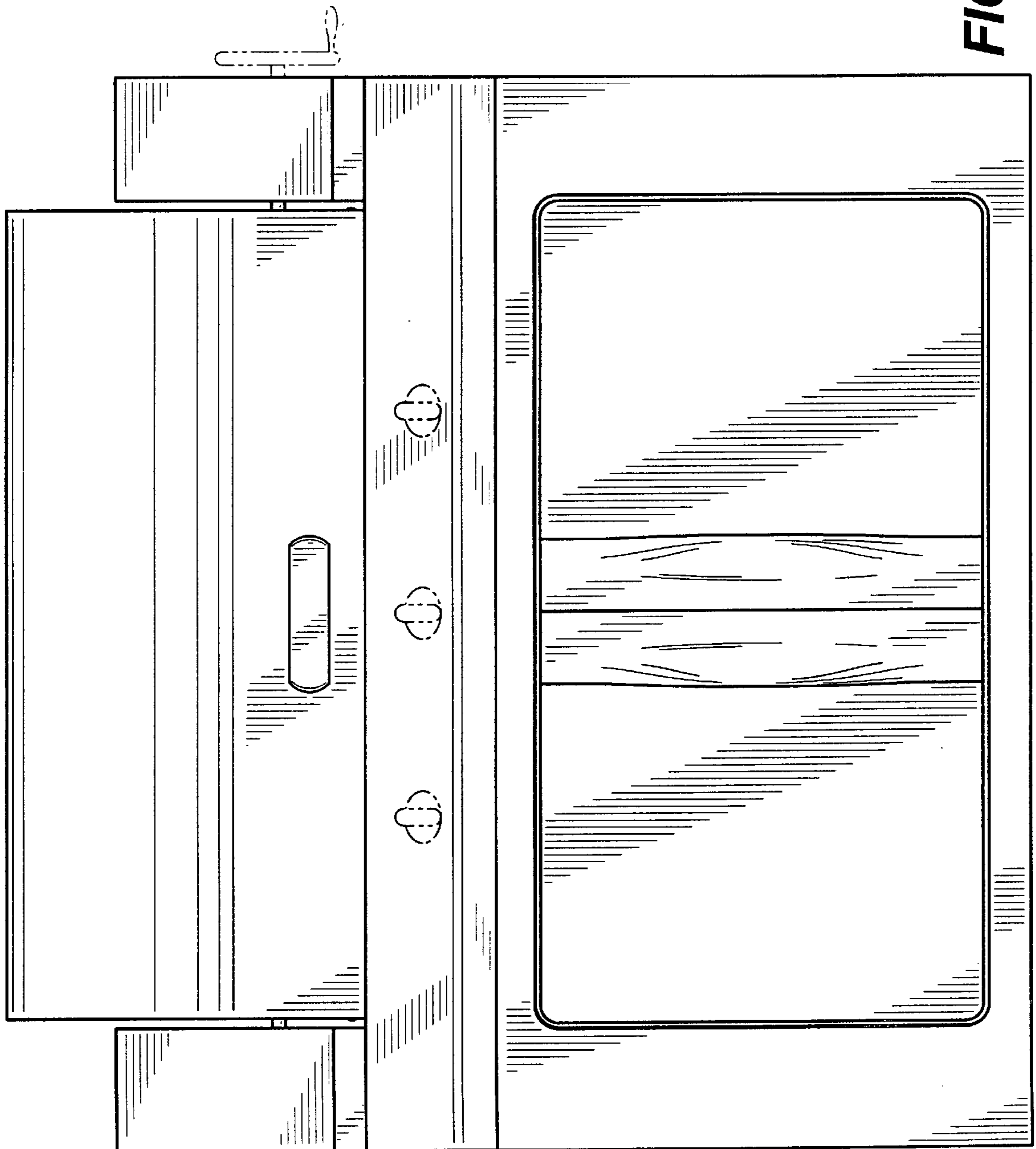


FIG.--2

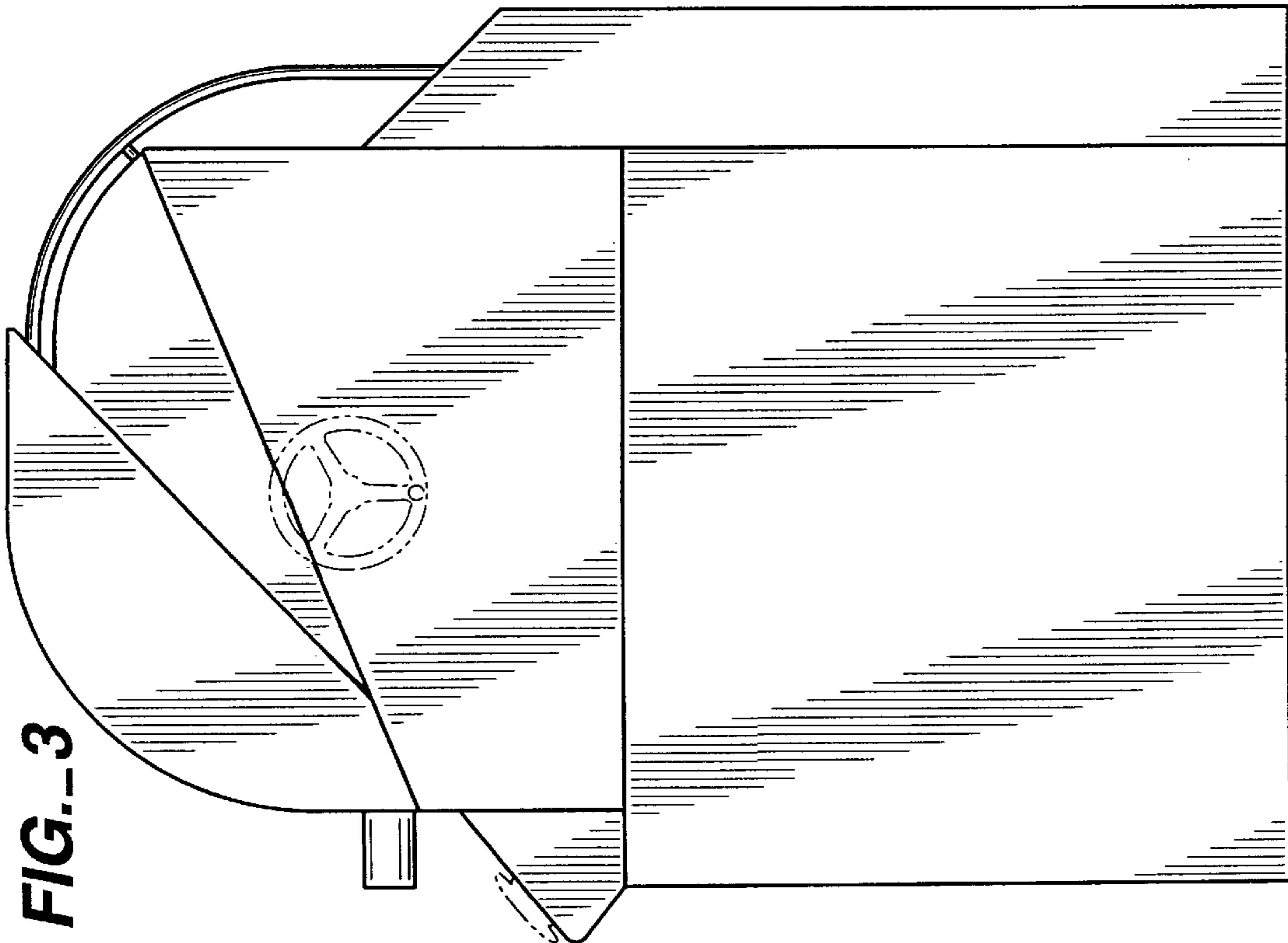
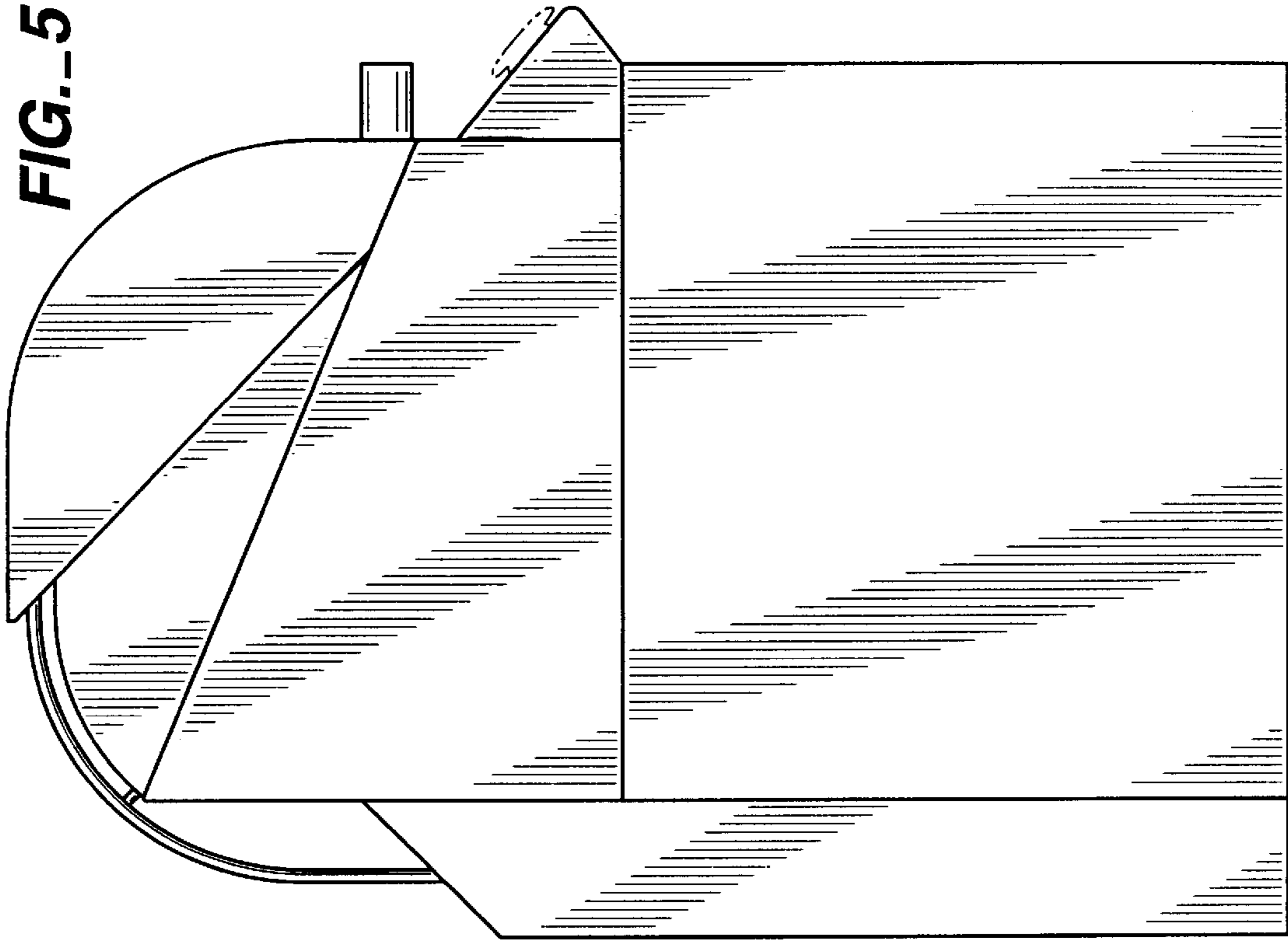
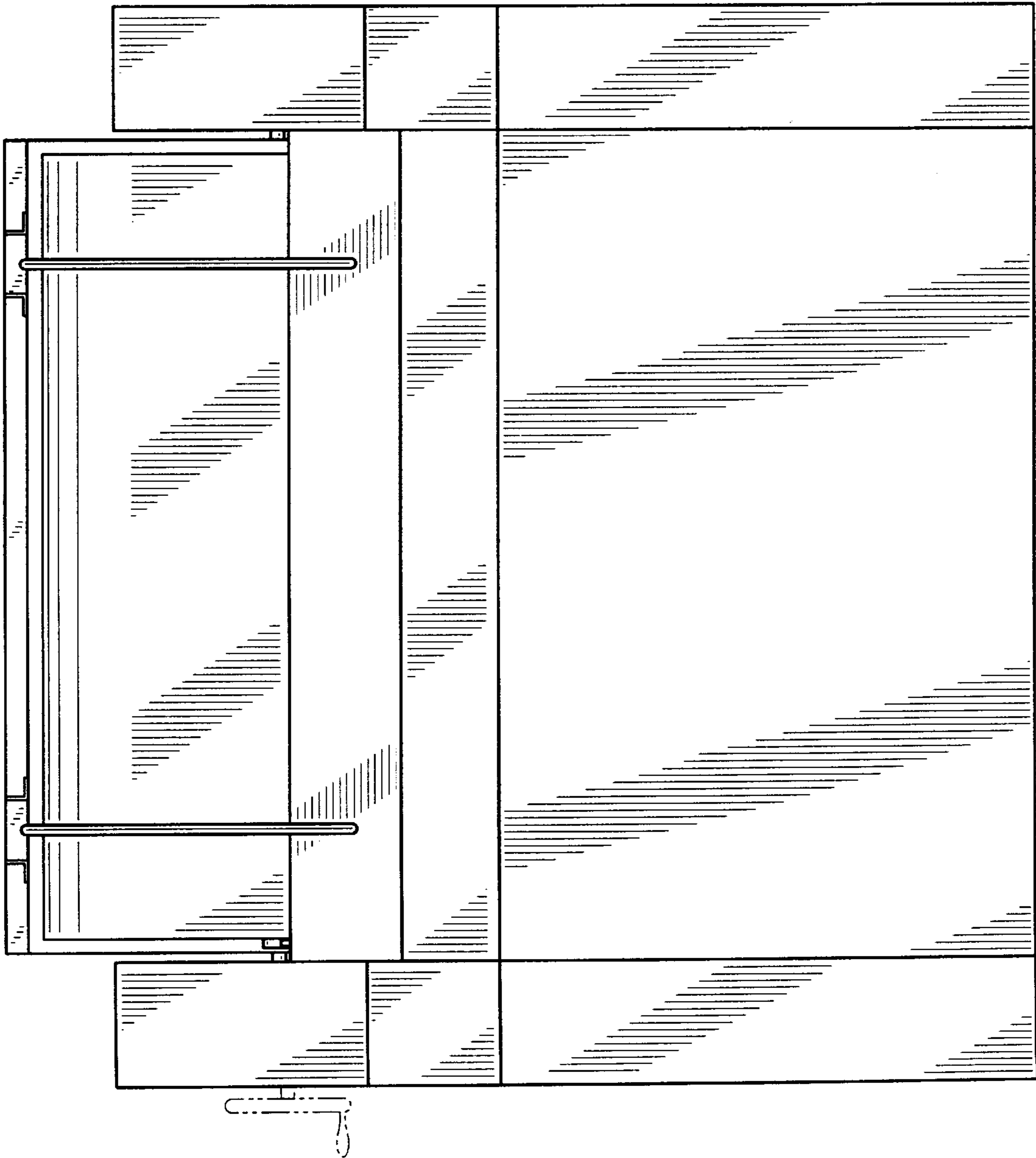


FIG. 4



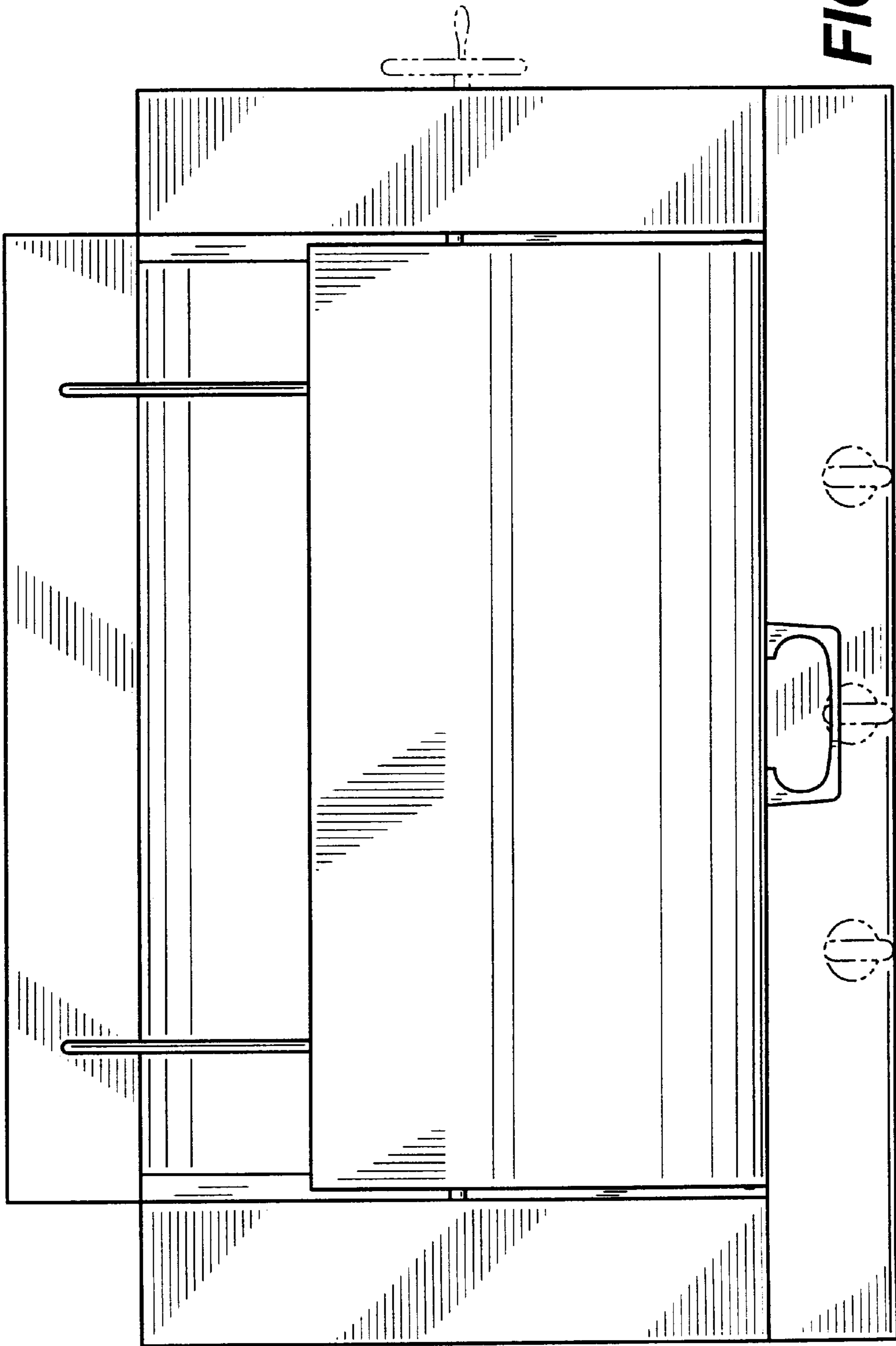


FIG.-6

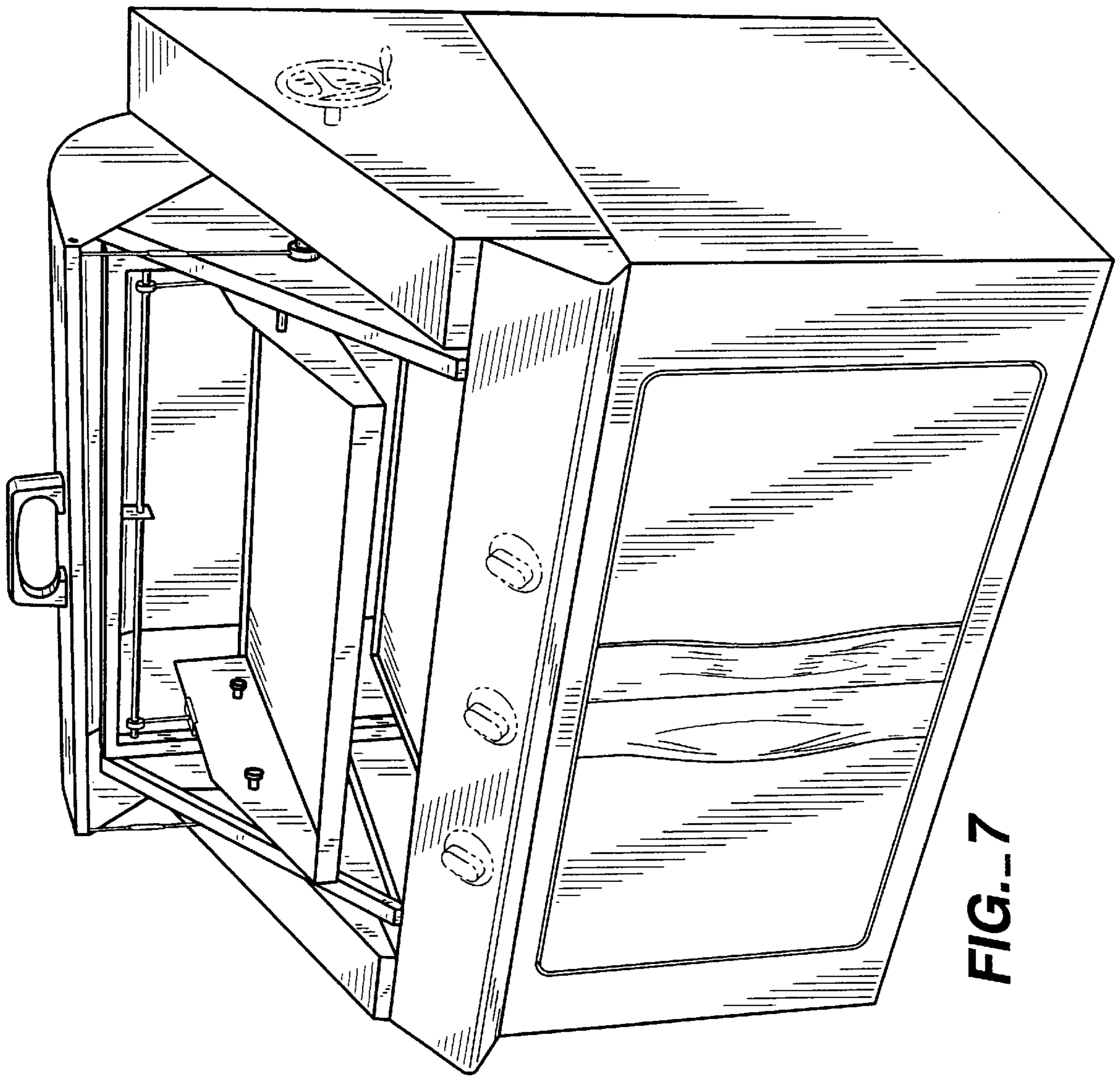


FIG. 7