



US00D411774S

United States Patent [19]
Hafstrom

[11] **Patent Number: Des. 411,774**
[45] **Date of Patent: ** Jul. 6, 1999**

[54] **DISPOSABLE PACKAGE AND DISPENSER**

[75] Inventor: **Torvid Hafstrom**, Stockholm, Sweden

[73] Assignee: **The Scandinavian Candy Co., Inc.**,
Sun Valley, Calif.

[**] Term: **14 Years**

[21] Appl. No.: **29/075,949**

[22] Filed: **Jun. 29, 1997**

[51] **LOC (6) Cl.** **06-04**

[52] **U.S. Cl.** **D6/436; D6/443**

[58] **Field of Search** D6/440, 443, 459,
D6/408, 471, 475, 476; 221/196, 195, 191,
192, 193, 194; 312/45, 117, 118; 222/185.1;
D7/589, 590, 401.1

[56] **References Cited**

U.S. PATENT DOCUMENTS

D. 42,106	1/1912	Friedman	D6/471
D. 46,792	12/1914	Purcell	D6/443
D. 151,988	12/1948	Hayman	D6/408 X
D. 217,407	4/1970	Reibold et al.	D6/471
D. 261,475	10/1981	Wolfe	D6/443
D. 283,860	5/1986	Cantolino	D6/476 X

D. 283,861	5/1986	Cantolino	D6/471
D. 285,993	10/1986	Genna	D6/475
D. 295,590	5/1988	Merl et al.	D6/408
D. 296,168	6/1988	Weaver	D6/475
1,235,341	7/1917	Lewis	221/196
2,922,552	1/1960	Berger et al.	222/185.1
5,251,972	10/1993	Zurawin	312/118
5,496,103	3/1996	Kozak	312/118

Primary Examiner—Carmen H. Vales-Lado
Attorney, Agent, or Firm—Lyon & Lyon LLP

[57] **CLAIM**

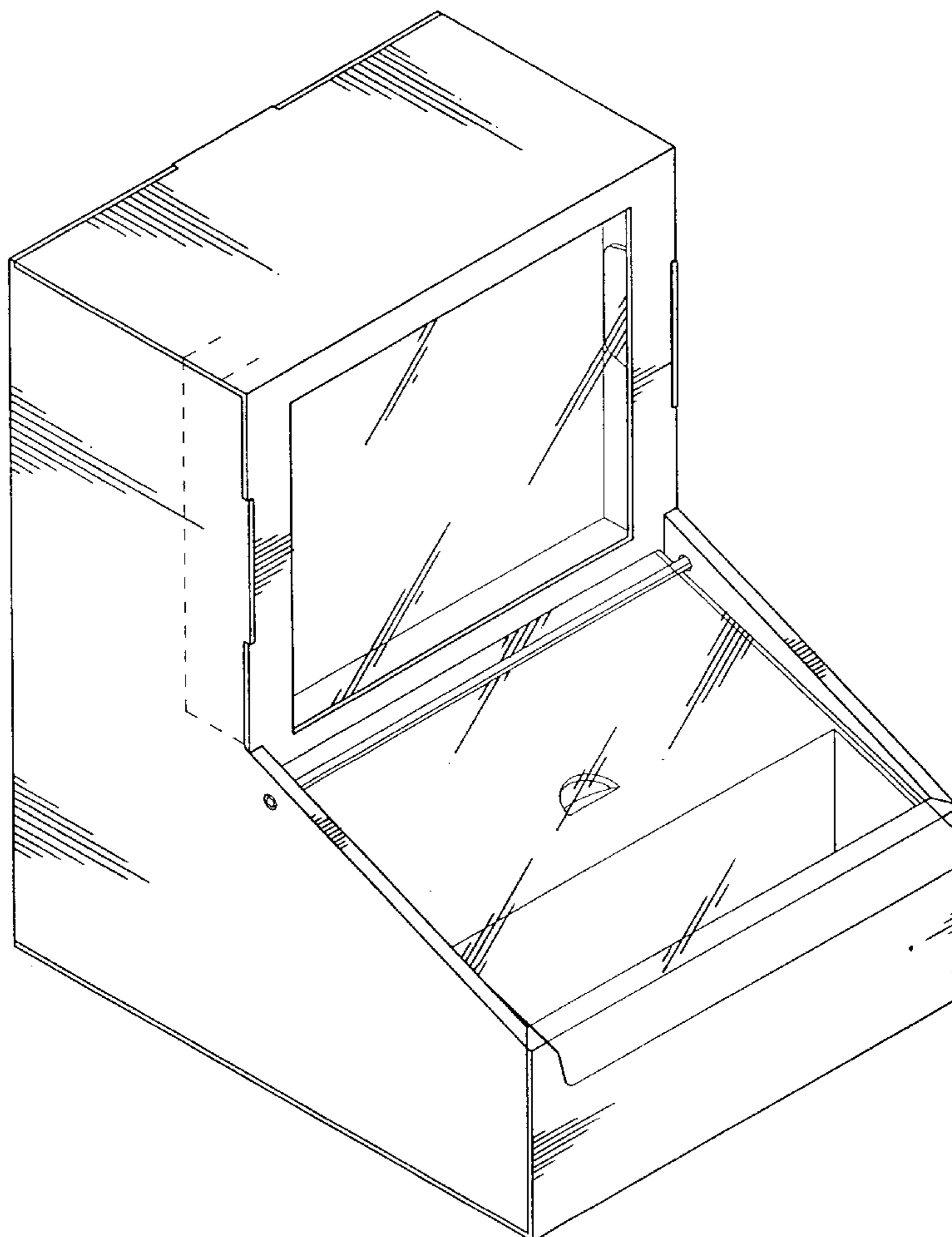
The ornamental design for a disposable package and dispenser, as shown and described.

DESCRIPTION

FIG. 1 is a front elevational view of a disposable package and dispenser showing my new design; FIG. 2 is a side elevational view thereof; FIG. 3 is a rear elevational view thereof; FIG. 4 is a bottom plan view thereof; FIG. 5 is a top plan view thereof; and, FIG. 6 is a perspective view.

The broken lines on the top and side of the dispenser shown in FIGS. 2 and 6 indicate perforations.

1 Claim, 3 Drawing Sheets



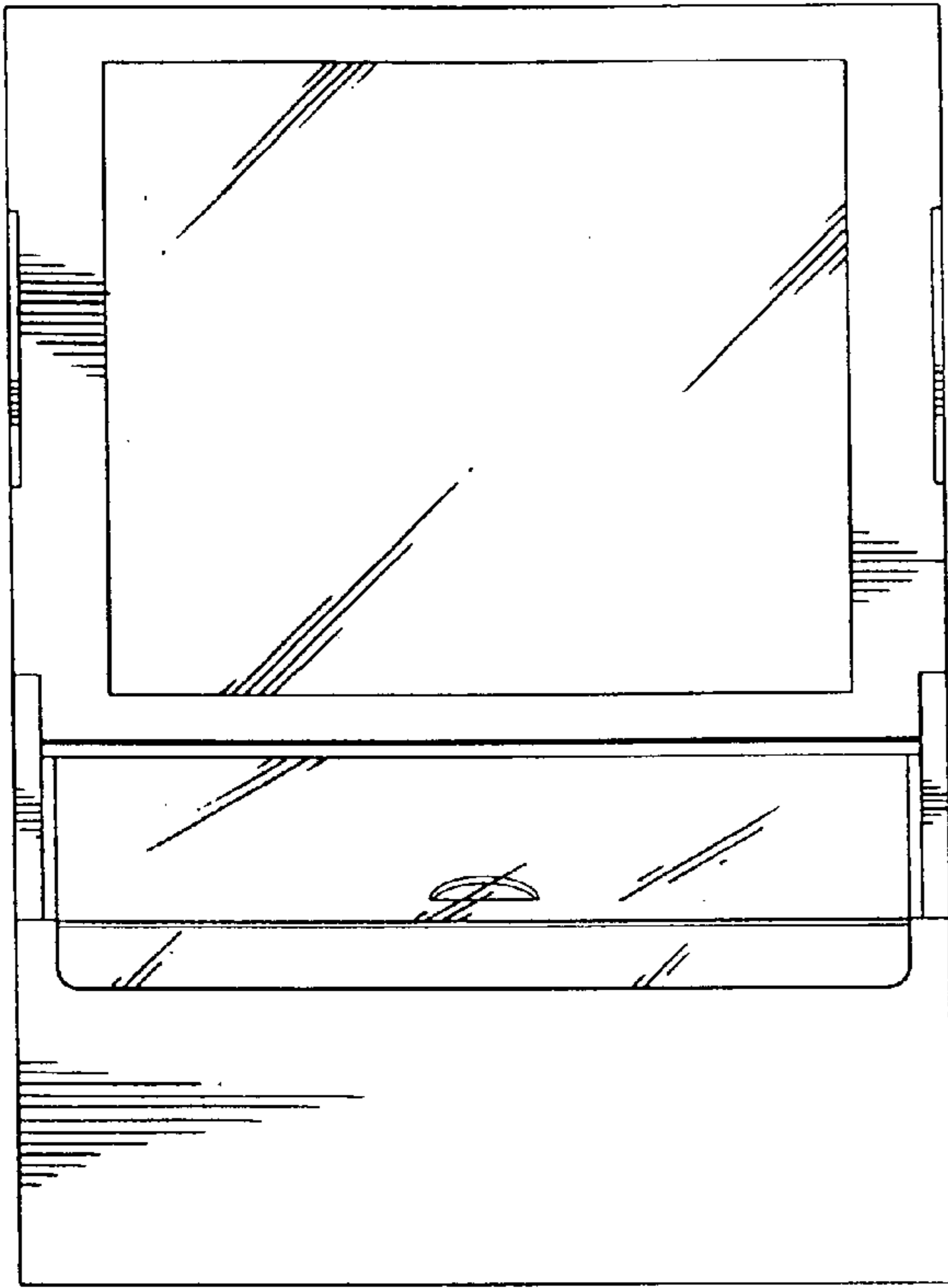


FIG. 1

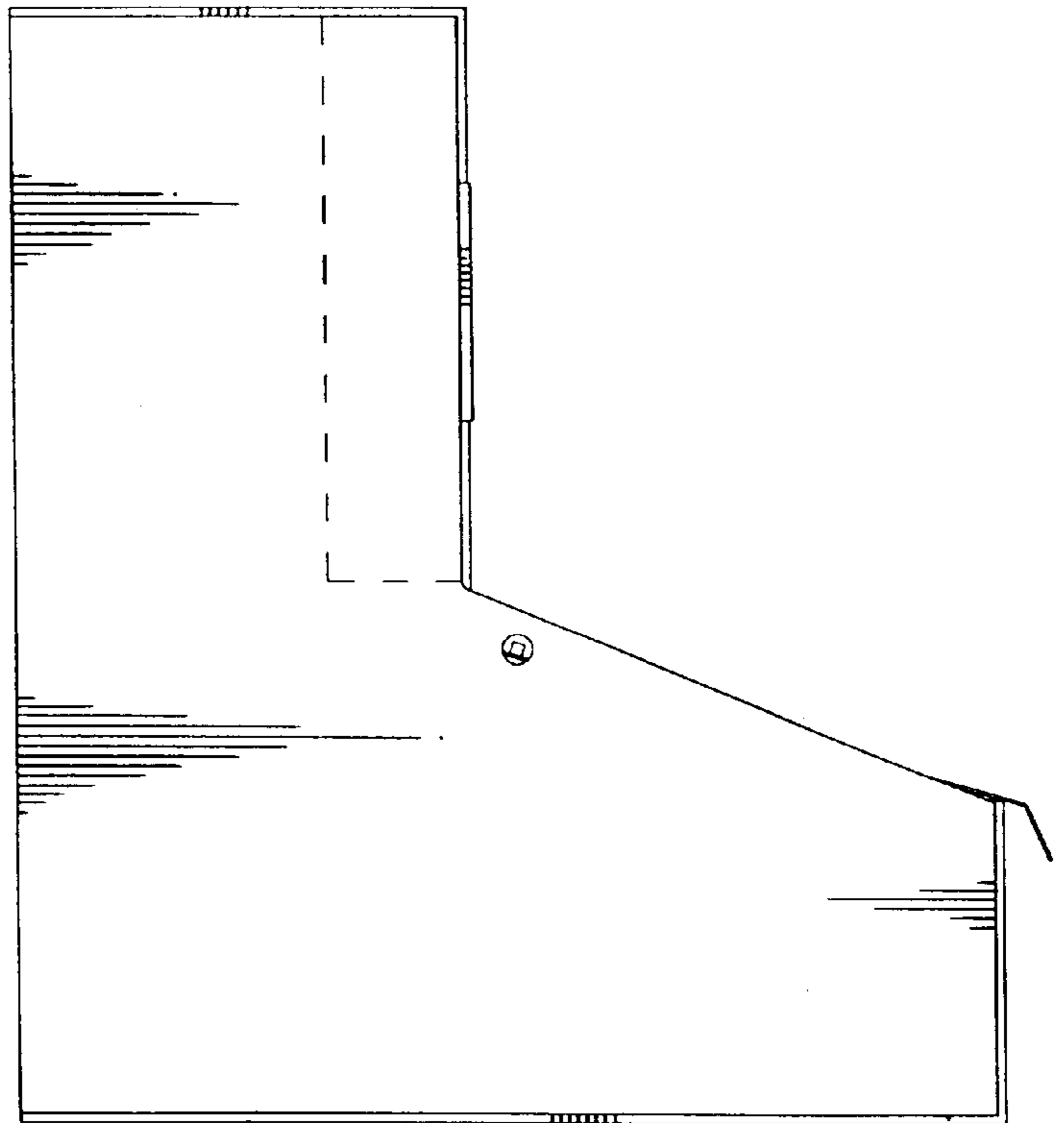


FIG. 2

FIG. 5

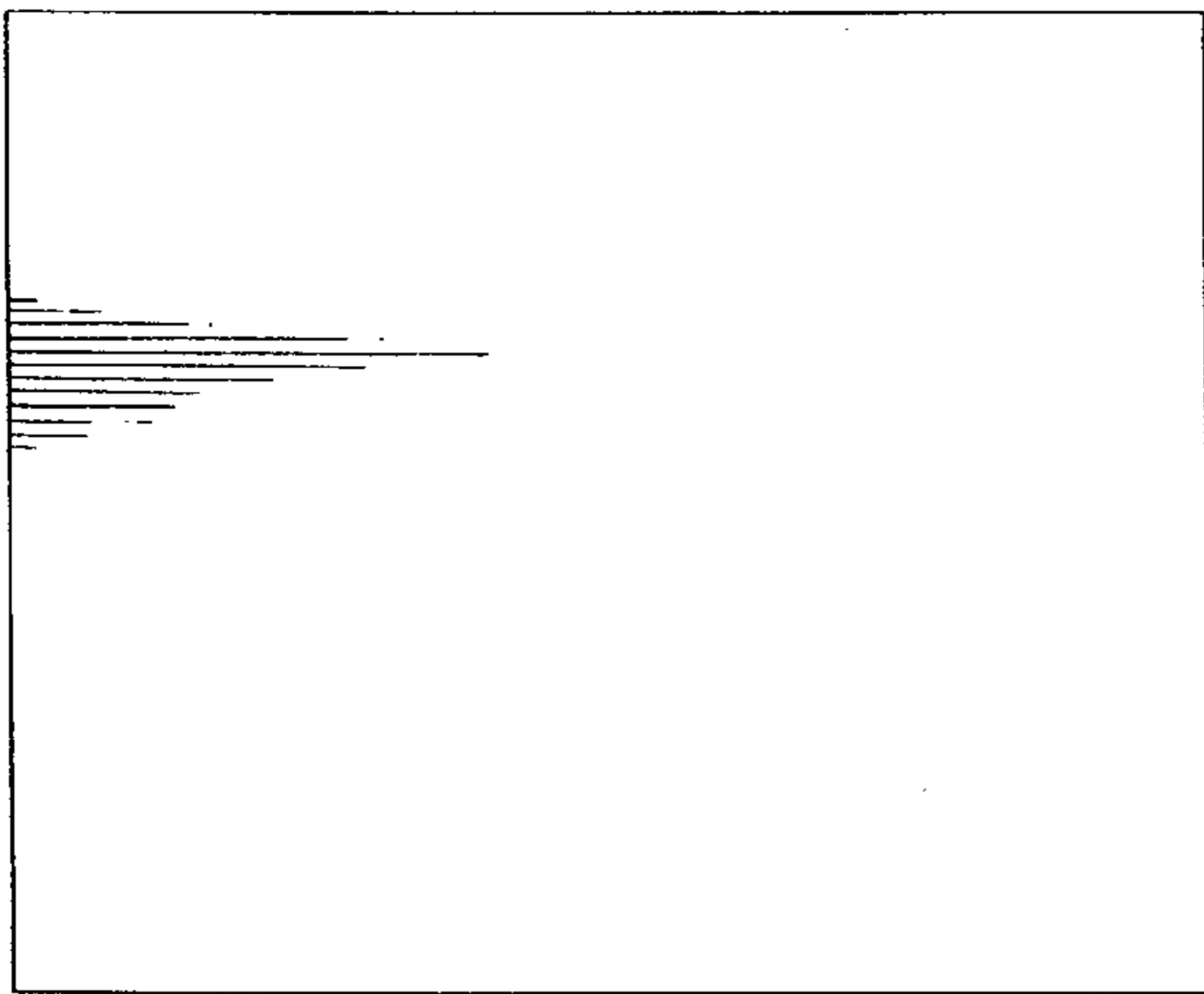
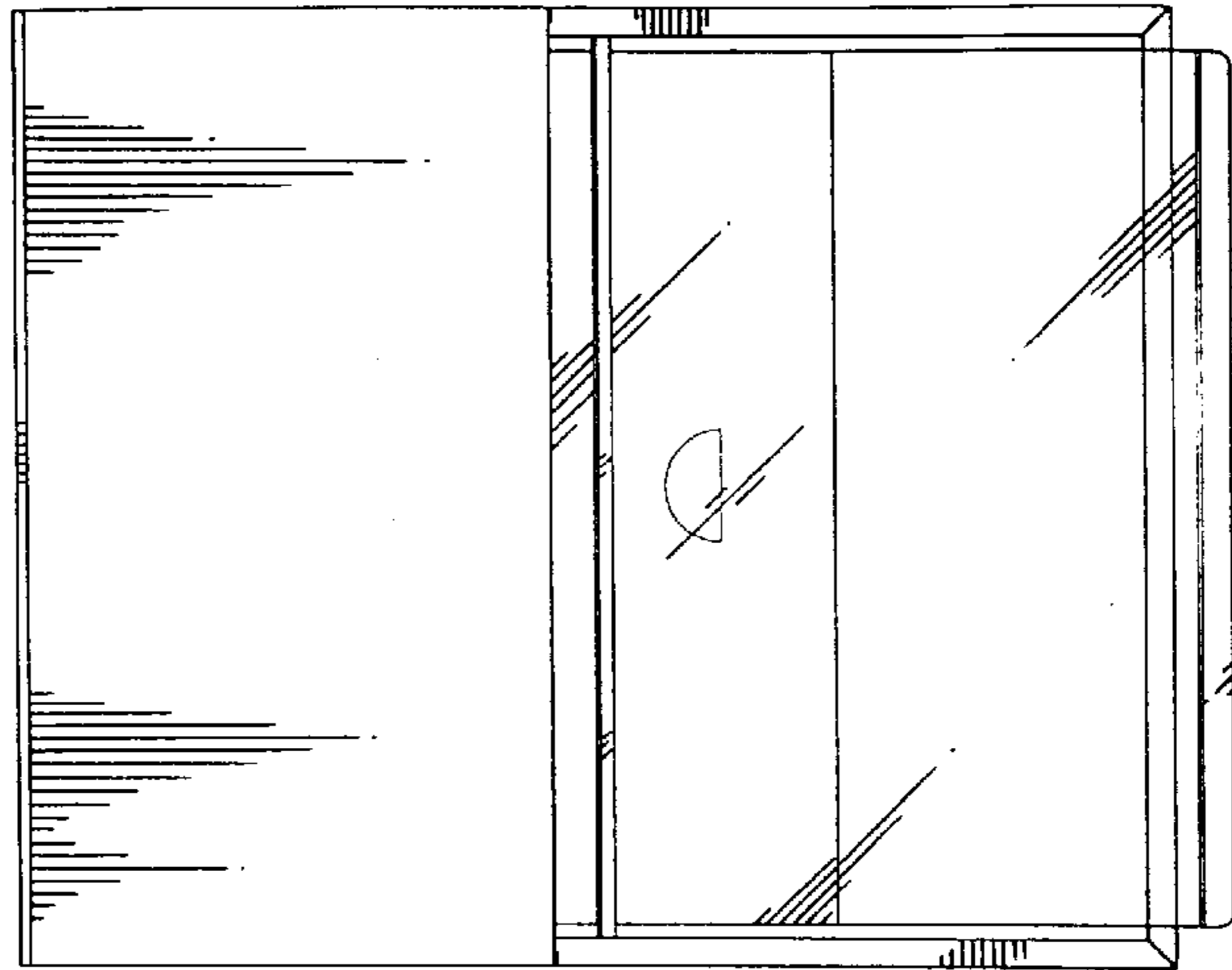


FIG. 4

FIG. 3

