



US00D411772S

United States Patent [19] Piretti

[11] **Patent Number: Des. 411,772**
[45] **Date of Patent: ** Jul. 6, 1999**

[54] **CHAIR**

[75] Inventor: **Giancarlo Piretti**, Bologna, Italy

[73] Assignee: **Desital Holland B.V.**, Netherlands

[**] Term: **14 Years**

[21] Appl. No.: **29/089,314**

[22] Filed: **Jun. 12, 1998**

| | | | |
|------------|---------|-----------------------|--------|
| D. 308,604 | 6/1990 | Verkerke . | |
| D. 323,750 | 2/1992 | Piretti . | |
| D. 323,943 | 2/1992 | Piretti | D6/380 |
| D. 327,587 | 7/1992 | Piretti . | |
| D. 328,984 | 9/1992 | Marini . | |
| D. 344,418 | 2/1994 | Favaretto . | |
| D. 367,185 | 2/1996 | Olson . | |
| D. 374,129 | 10/1996 | Timmons . | |
| D. 382,415 | 8/1997 | Leib . | |
| D. 388,629 | 1/1998 | Piretti | D6/380 |
| D. 395,177 | 6/1998 | Dammerman et al. | D6/380 |
| 4,549,764 | 10/1985 | Haedo | D6/380 |

Related U.S. Application Data

[60] Division of application No. 29/067,085, Mar. 3, 1997, which is a continuation-in-part of application No. 29/055,604, Jun. 7, 1996, Pat. No. Des. 393,955, which is a continuation-in-part of application No. 29/040,065, Jun. 9, 1995, Pat. No. Des. 383,009.

[51] **LOC (6) Cl. 06-01**

[52] **U.S. Cl. D6/374; D6/380**

[58] **Field of Search D6/334, 371, 372, D6/373, 374, 379, 380, 500, 501, 502; 297/239, 445.1, 446.1**

[56] References Cited

U.S. PATENT DOCUMENTS

| | | | |
|------------|---------|------------------------|--------|
| D. 169,930 | 6/1953 | Chapman et al. . | |
| D. 181,099 | 10/1957 | Jones et al. | D6/374 |
| D. 186,658 | 11/1959 | Spilman | D6/374 |
| D. 197,403 | 1/1964 | Dodds . | |
| D. 202,264 | 9/1965 | Albinson . | |
| D. 214,315 | 6/1969 | Bartholomew . | |
| D. 219,032 | 10/1970 | Christenson, Jr. | D6/374 |
| D. 233,715 | 11/1974 | Fantoni . | |
| D. 249,417 | 9/1978 | Ambasz . | |
| D. 264,779 | 6/1982 | Wenger et al. | D6/380 |
| D. 269,831 | 7/1983 | Crone . | |
| D. 270,406 | 9/1983 | Schultz . | |
| D. 272,587 | 2/1984 | Pamberg . | |
| D. 275,244 | 8/1984 | Snodgrass . | |
| D. 279,438 | 7/1985 | Gerner | D6/380 |
| D. 292,149 | 10/1987 | Monesi . | |
| D. 295,588 | 5/1988 | Heitlinger et al. | D6/380 |

OTHER PUBLICATIONS

Interiors, May 1983, p. 89, Chair at top left by Piretti.
Interiors, Nov. 1987, p. 93, Krueger International Division, chair shown mid-page center.

Primary Examiner—Gary D. Watson
Attorney, Agent, or Firm—Andrus, Scales, Starke & Sawall

[57] CLAIM

The ornamental design for a chair, as shown and described.

DESCRIPTION

FIG. 1 is a perspective view of a chair showing my new design;

FIG. 2 is a top plan view thereof;

FIG. 3 is a front elevational view thereof;

FIG. 4 is a right side elevational view thereof, the left side elevational view being a mirror image thereof;

FIG. 5 is a rear elevational view thereof;

FIG. 6 is a bottom plan view; and,

FIG. 7 is a cross-sectional view taken along line 7—7 of FIG. 4.

The broken lines shown under the chair in FIG. 1 represent ground and form no part of the claimed design.

FIGS. 2 through 6 have been shown on an enlarged scale and FIG. 7 has been shown still further enlarged with respect to FIG. 1.

1 Claim, 3 Drawing Sheets

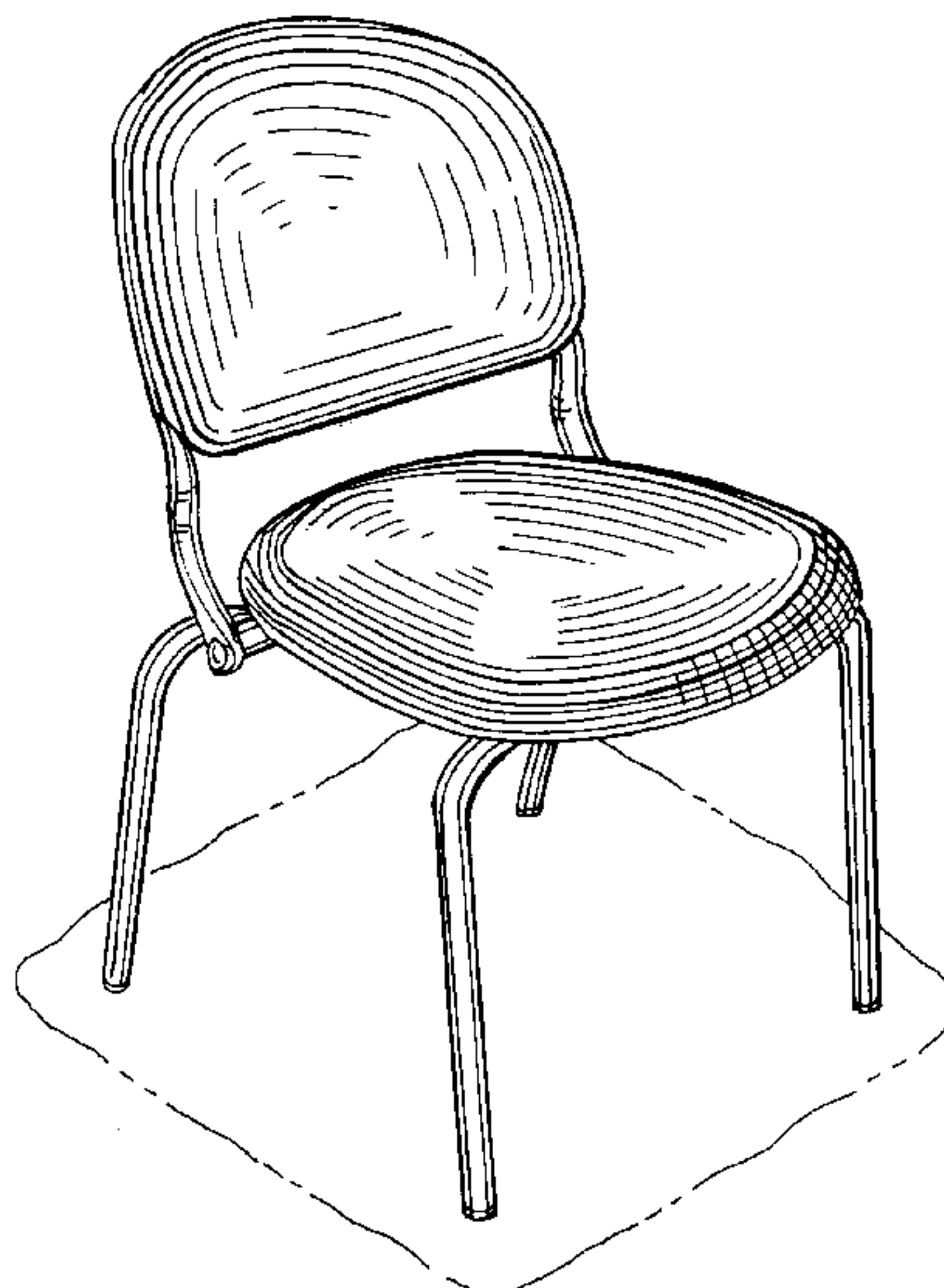


FIG. 1

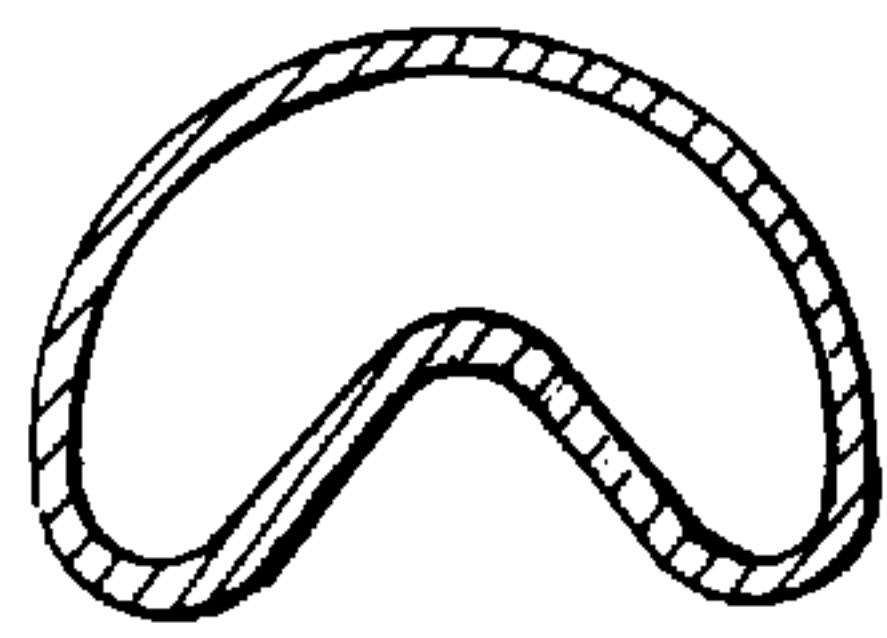
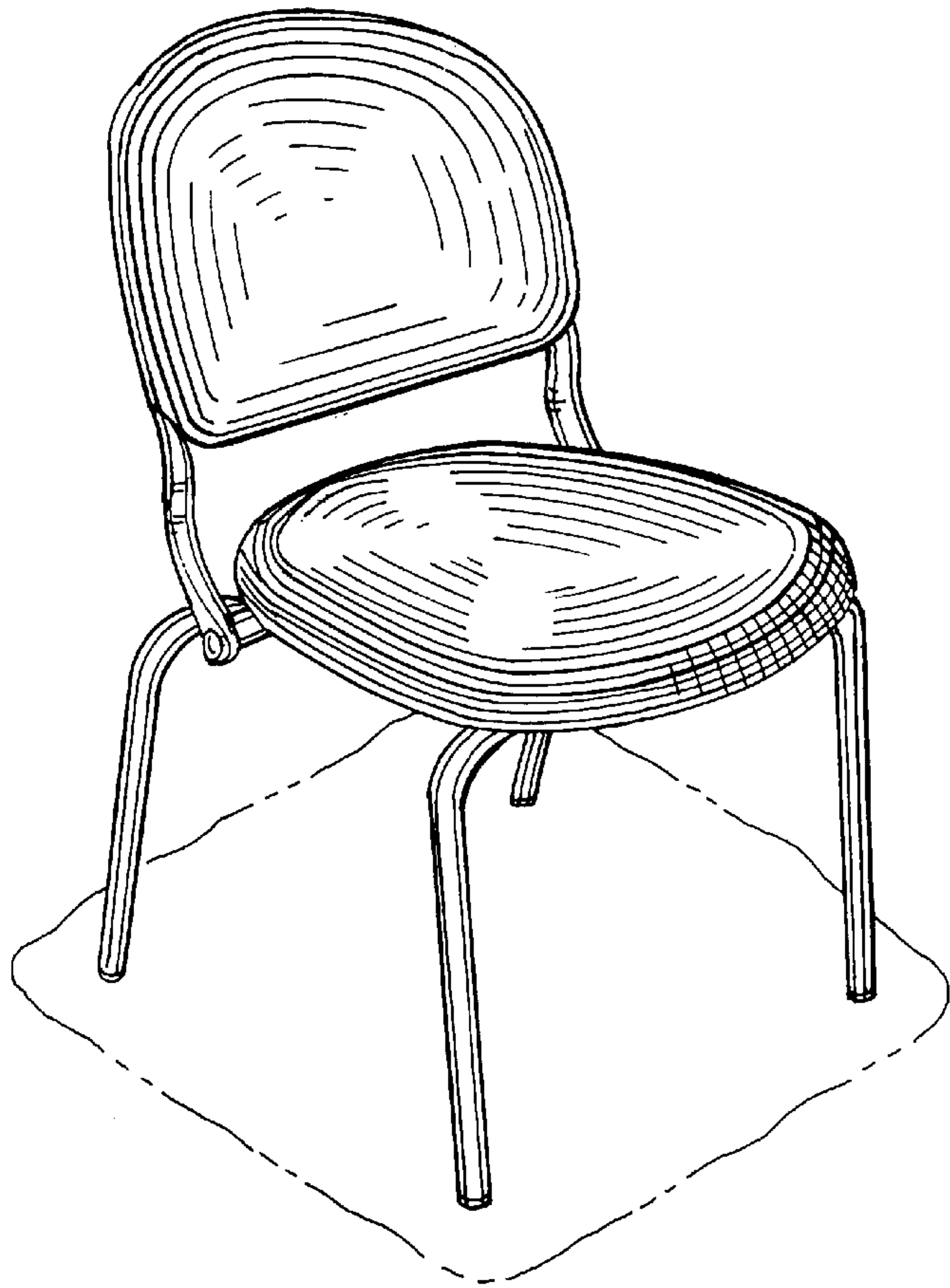


FIG. 7

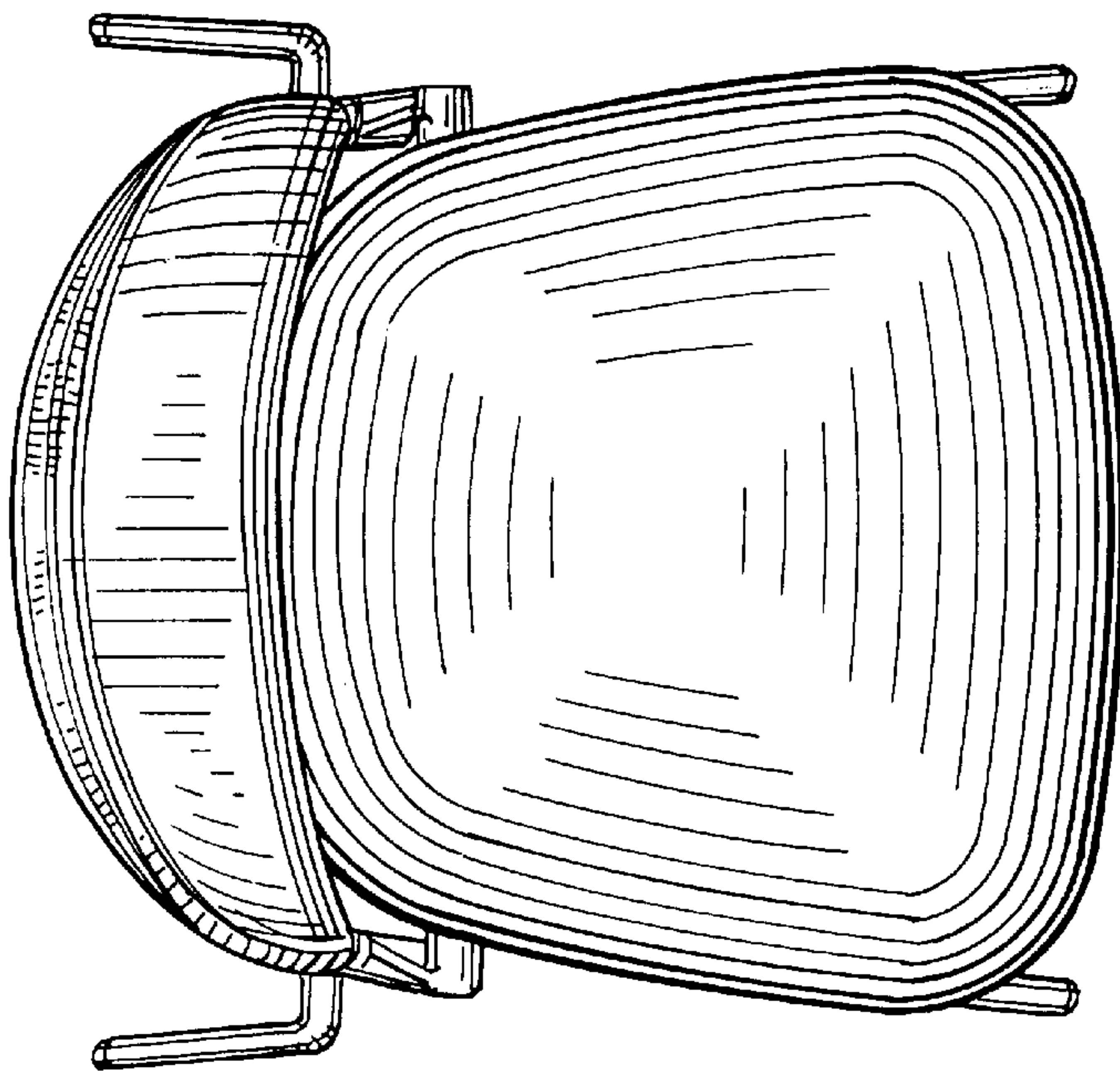


FIG. 2

FIG. 3

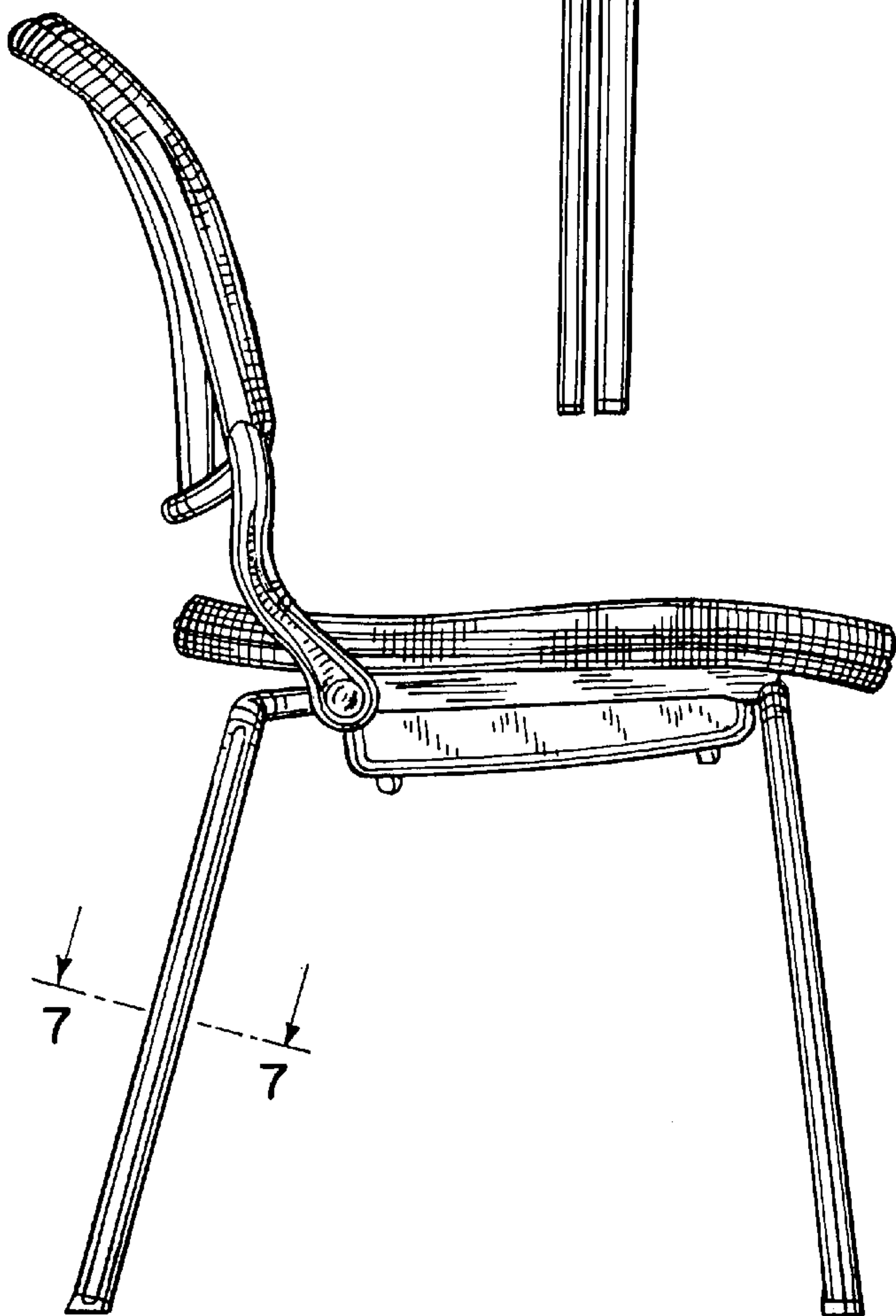
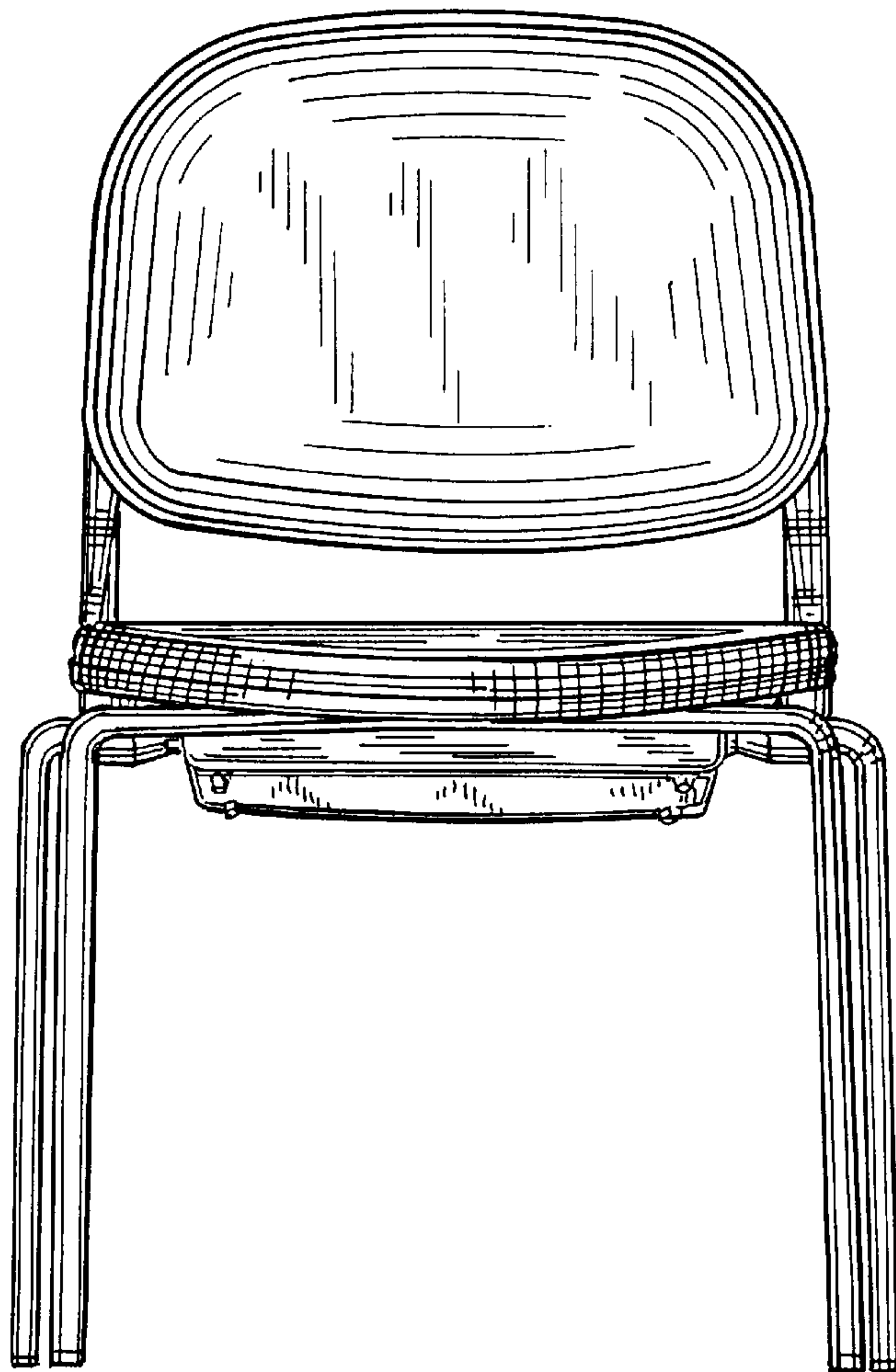


FIG. 4

FIG. 5

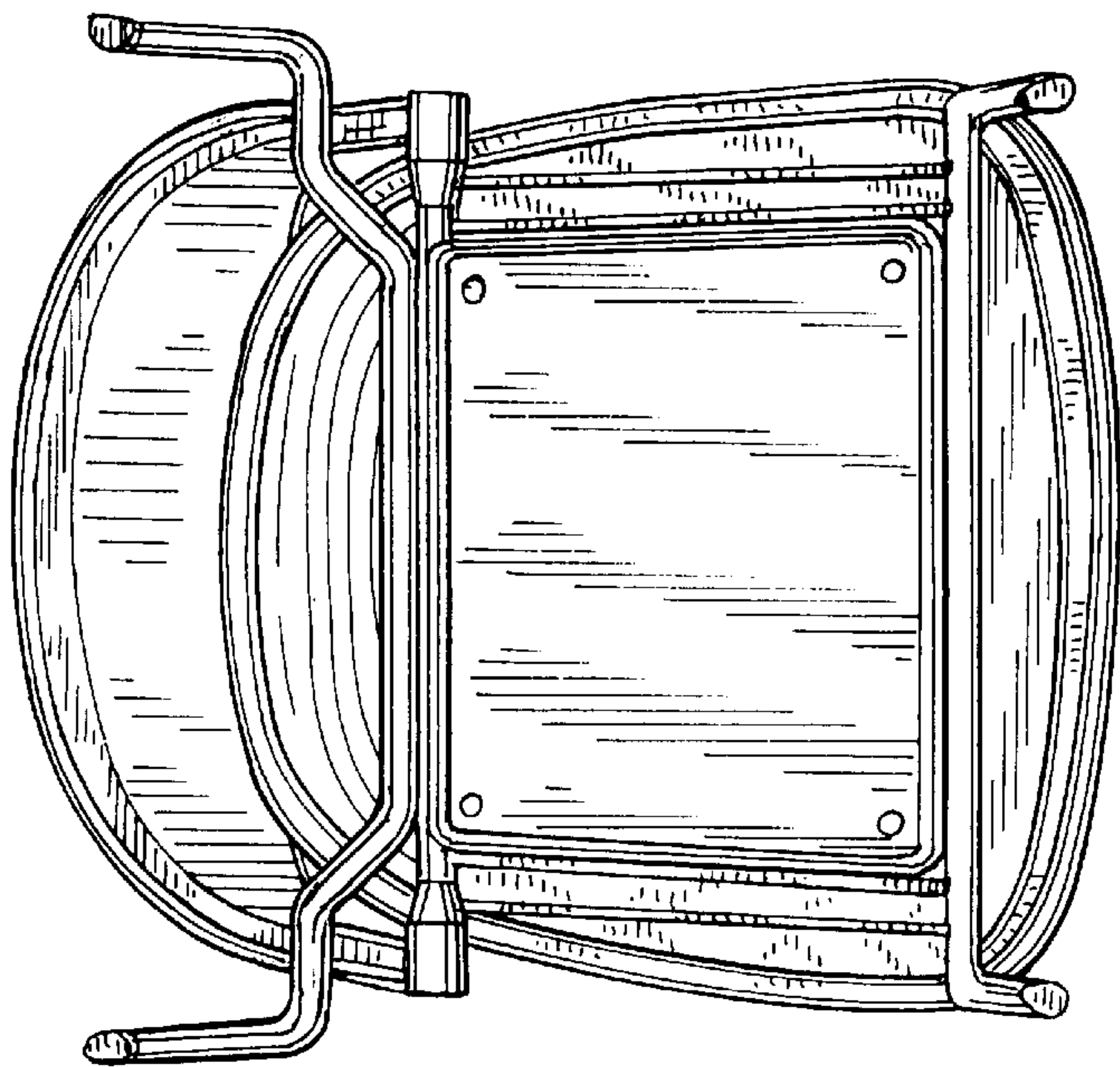
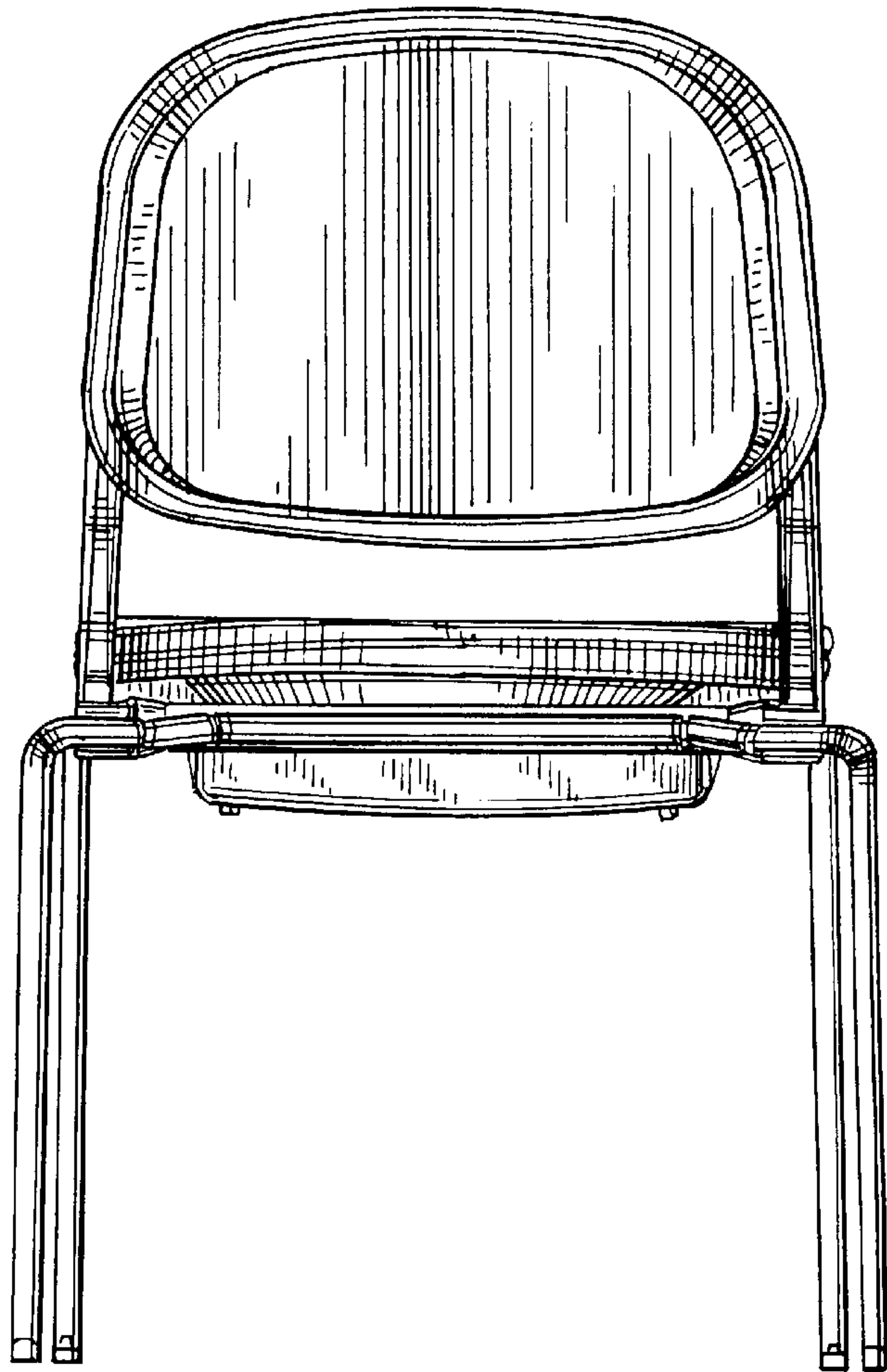


FIG. 6