



US00D411769S

United States Patent [19] Wright

[11] **Patent Number: Des. 411,769**
[45] **Date of Patent: ** Jul. 6, 1999**

[54] **BATTERY OPERATED TOOTHBRUSH**

[75] Inventor: **David A. Wright**, Mid-Levels, The Hong Kong Special Administrative Region of the People's Republic of China

[73] Assignee: **Colgate-Palmolive Company**, New York, N.Y.

[**] Term: **14 Years**

[21] Appl. No.: **29/091,856**

[22] Filed: **Aug. 7, 1998**

[51] **LOC (6) Cl.** **04-02**

[52] **U.S. Cl.** **D4/101; D4/111**

[58] **Field of Search** D4/101, 104-112, D4/114, 134, 138, 127; 15/21.1, 22.1, 28, 29, 143.1, 159.1, 160, 167.1, 176.1; 132/308, 311; 601/141, 142

[56] **References Cited**

U.S. PATENT DOCUMENTS

D. 361,433	8/1995	Yang	D4/101
D. 388,958	1/1998	Hartwein	D4/101
5,353,460	10/1994	Bauman	15/22.1
5,524,312	6/1996	Tan et al.	15/22.1
5,727,273	3/1998	Pai	15/22.1
5,732,432	3/1998	Hui	15/22.1

Primary Examiner—Alan P. Douglas
Assistant Examiner—Lavone D. Tabor

Attorney, Agent, or Firm—Thomas J. Greer, Jr.

[57] **CLAIM**

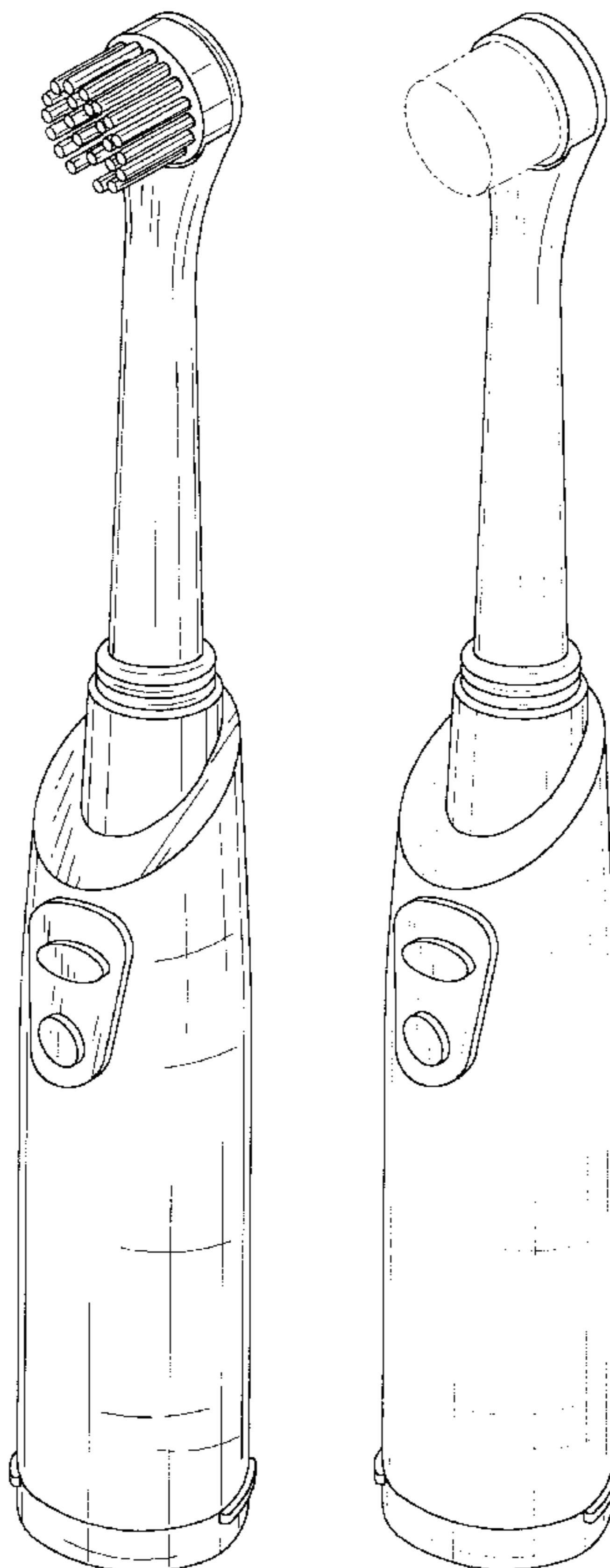
The ornamental design for a battery operated toothbrush, as shown and described.

DESCRIPTION

FIG. 1 is a perspective view from the right side of a battery operated toothbrush showing my new design;
 FIG. 2 is a left side elevational view thereof, the right side elevational view being a mirror image thereof;
 FIG. 3 is an elevational view as seen from the front thereof;
 FIG. 4 is an elevational view as seen from the back thereof;
 FIG. 5 is an elevational view as seen from the head end thereof;
 FIG. 6 is an elevational view as seen from the handle end thereof;
 FIG. 7 is a perspective view from the right side of a second embodiment of the design shown in FIGS. 1-6;
 FIG. 8 is a left side elevational view thereof, the right side elevational view being a mirror image thereof;
 FIG. 9 is an elevational view as seen from the front thereof;
 FIG. 10 is an elevational view as seen from the back thereof;
 FIG. 11 is an elevational view as seen from the head end thereof; and,
 FIG. 12 is an elevational view as seen from the handle end thereof.

The broken line showing of bristles in FIGS. 7, 8, 9 and 11 is for illustrative purposes only and forms no part of the second embodiment.

1 Claim, 6 Drawing Sheets



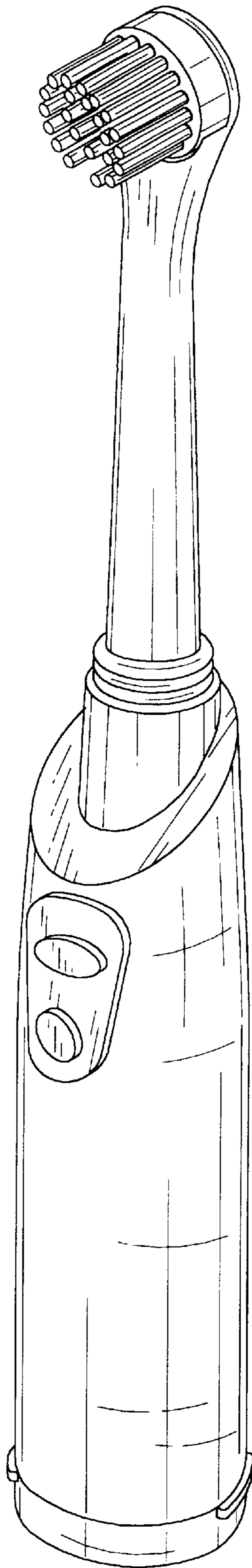


FIG. 1

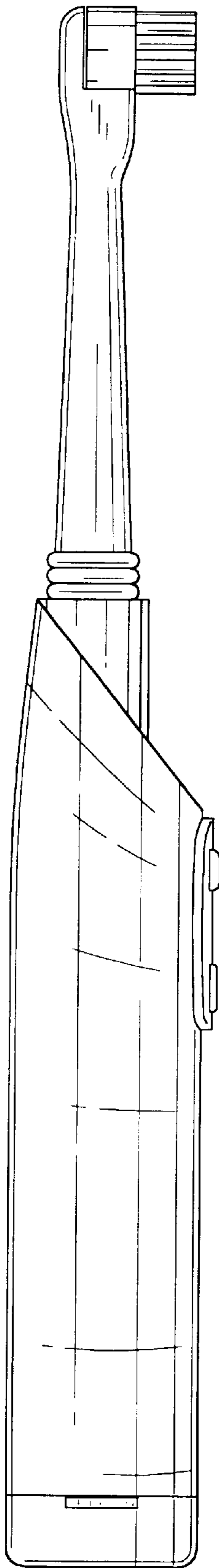


FIG. 2

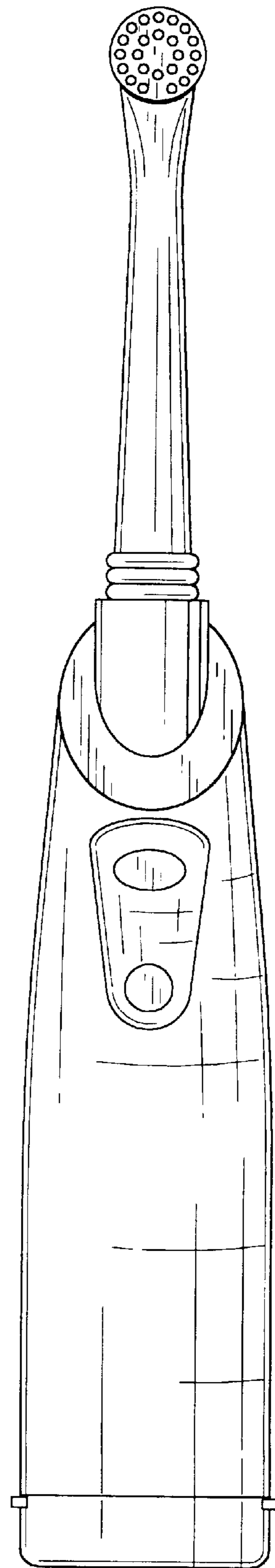


FIG. 3

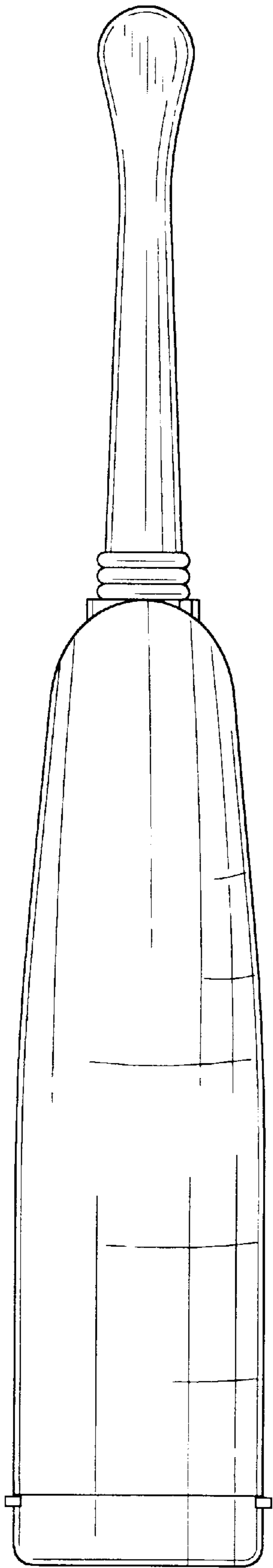


FIG. 4

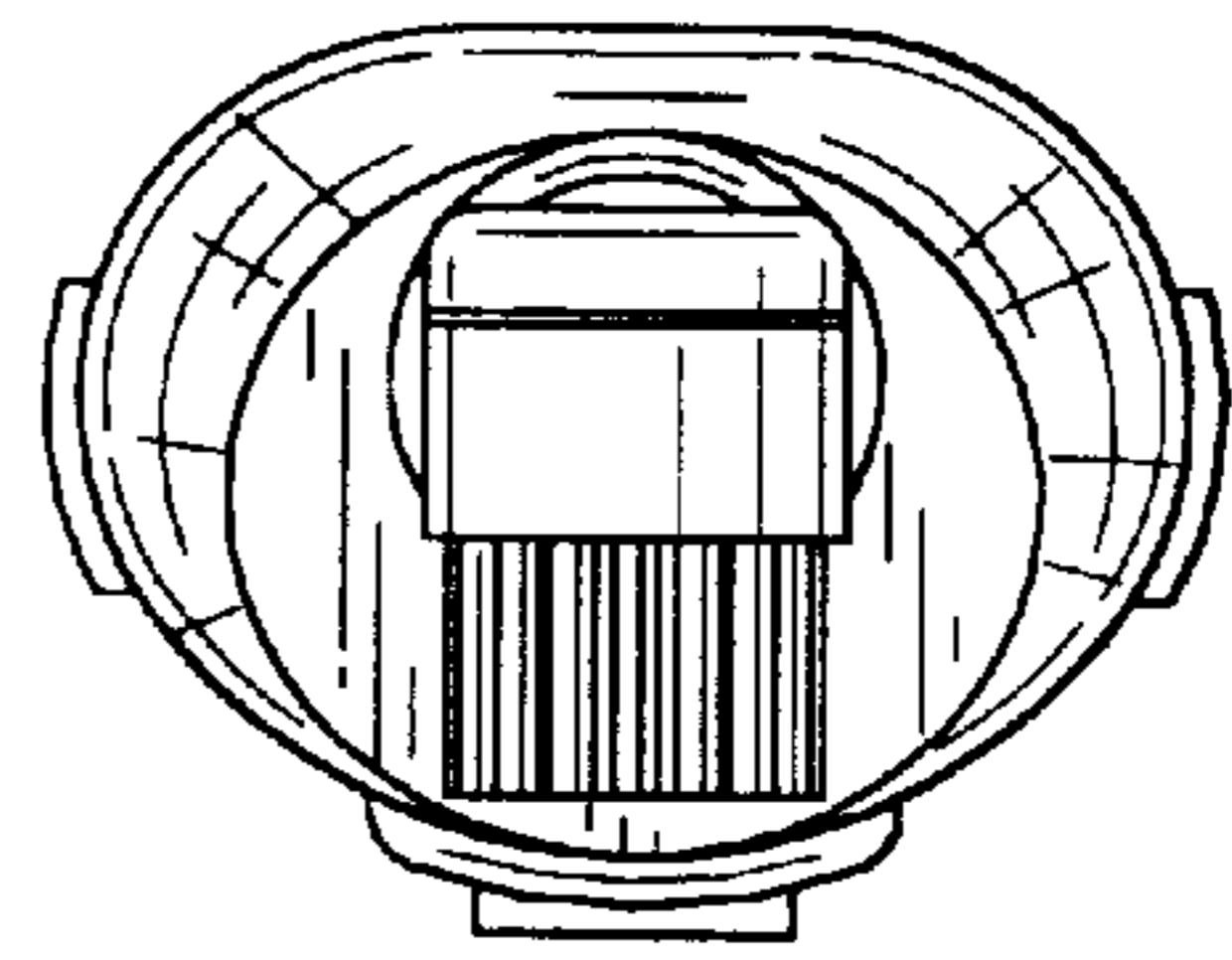


FIG. 5

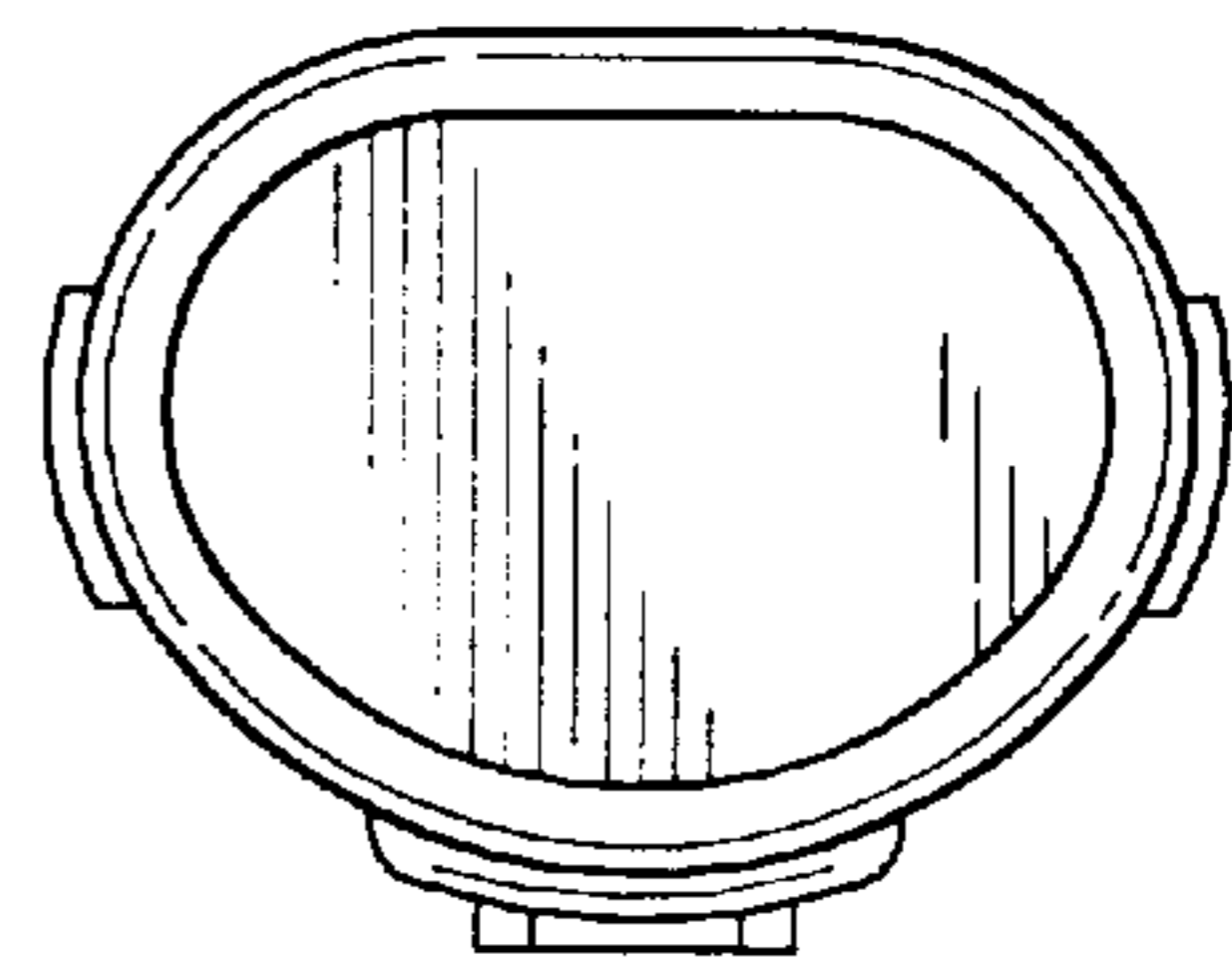


FIG. 6

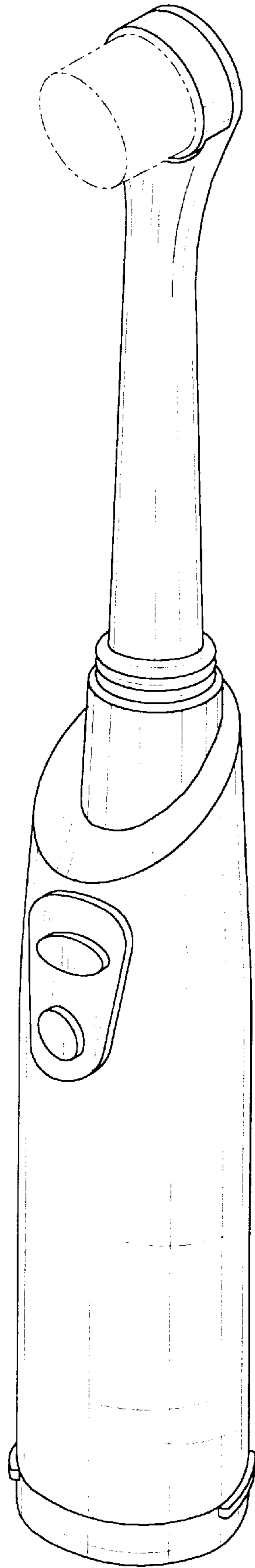


FIG. 7

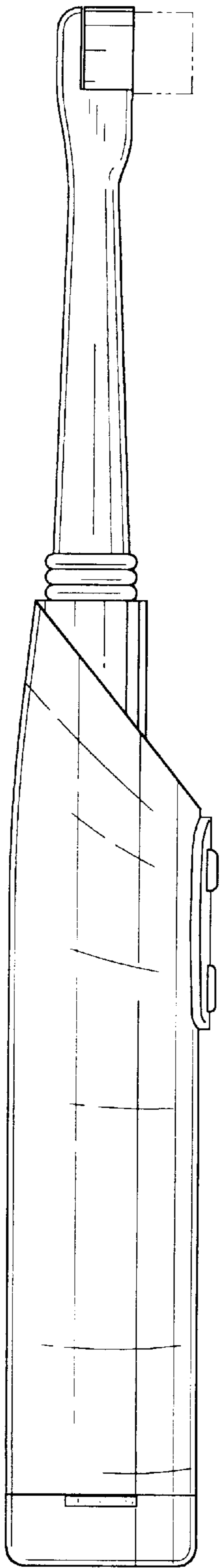


FIG. 8

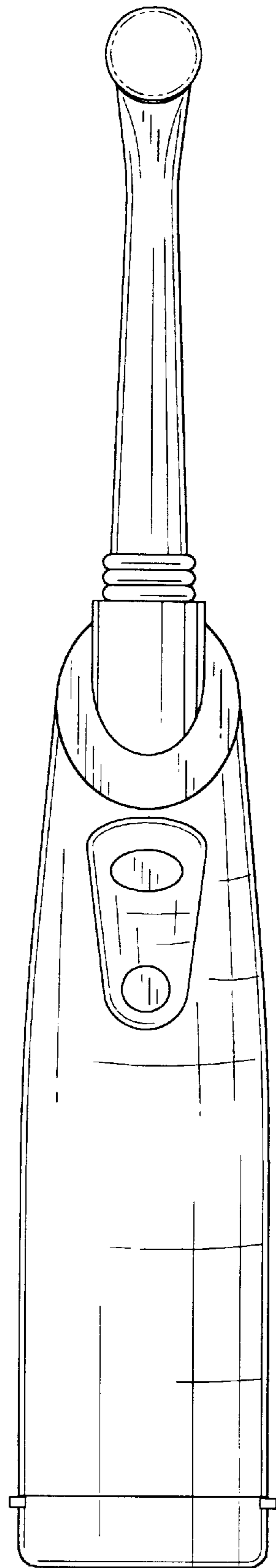


FIG. 9

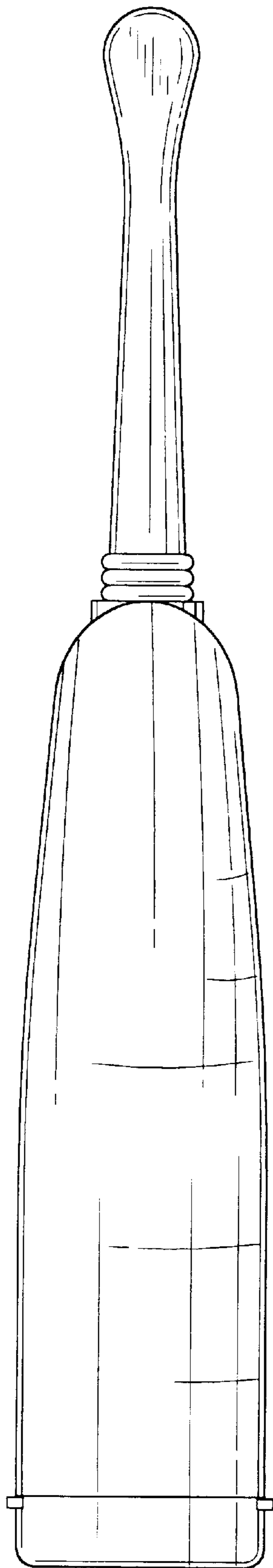


FIG. 10

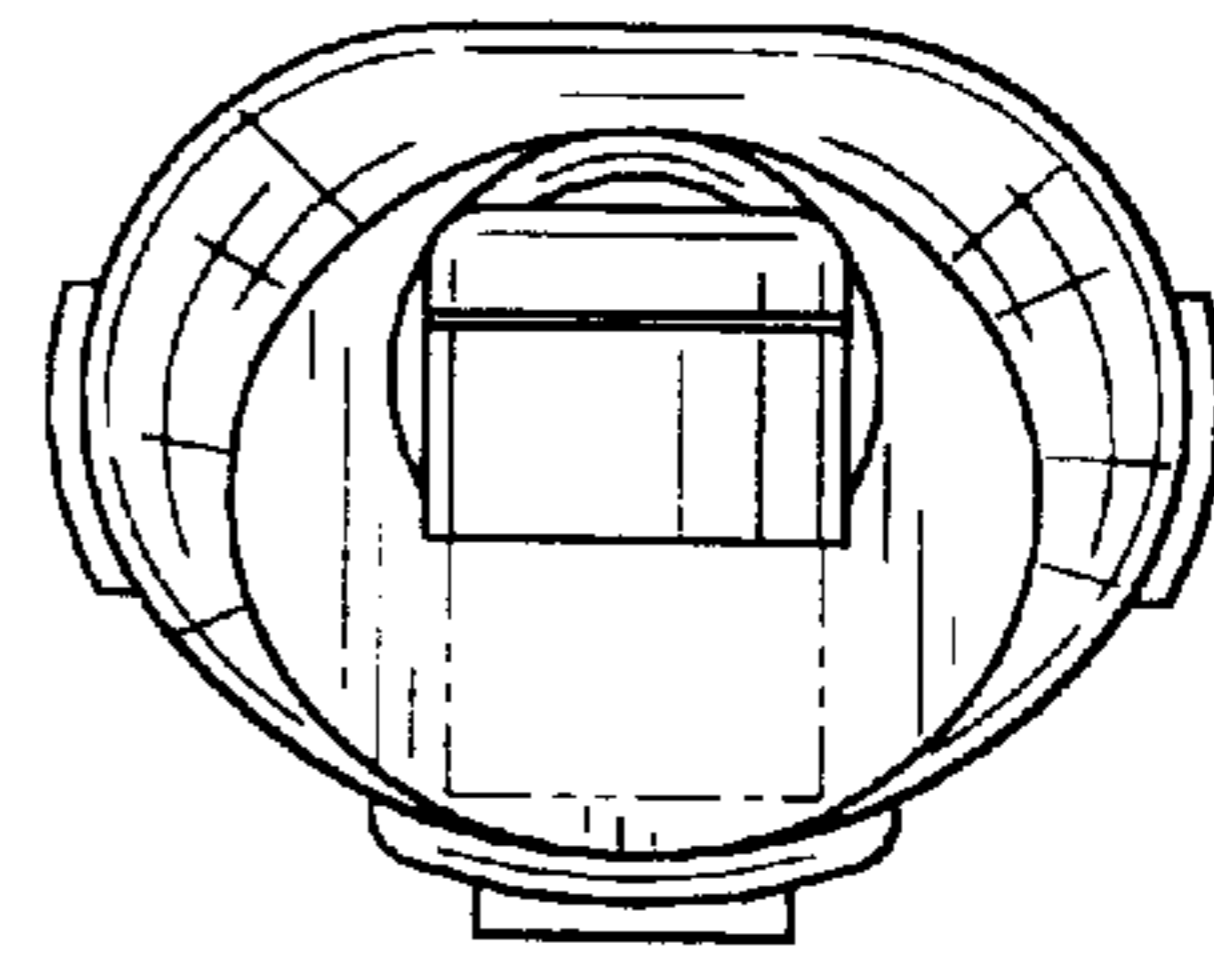


FIG. 11

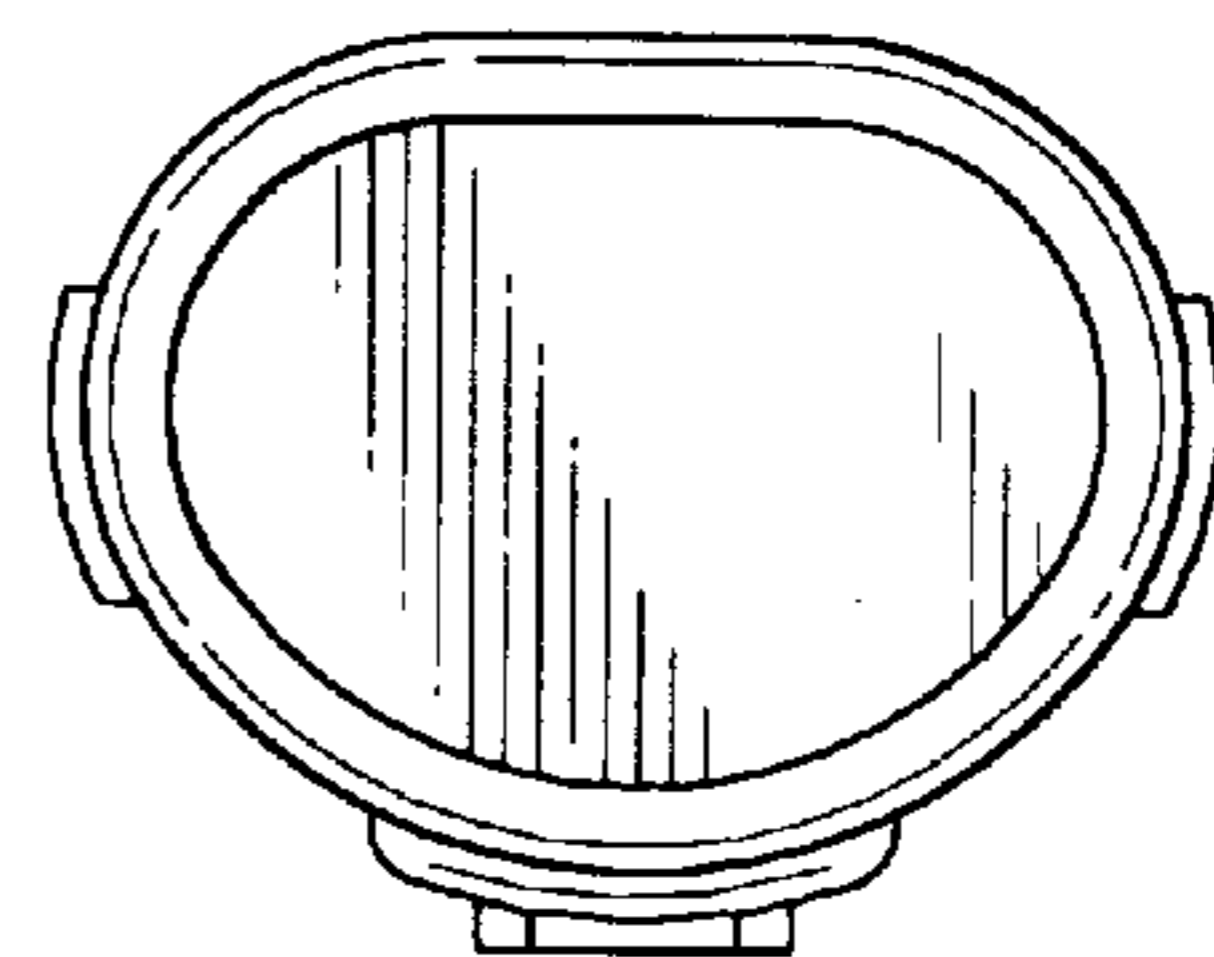


FIG. 12

UNITED STATES PATENT AND TRADEMARK OFFICE
CERTIFICATE OF CORRECTION

PATENT NO. : D411,769
DATED : July 6, 1999
INVENTOR(S) : David A. Wright

Page 1 of 1

It is certified that error appears in the above-identified patent and that said Letters Patent is hereby corrected as shown below:

Title Page,

Item [73], should read: Assignee: Gregory J. McDougall, Kowloon, Hong Kong.

Signed and Sealed this

Third Day of July, 2001

Nicholas P. Godici

Attest:

Attesting Officer

NICHOLAS P. GODICI

Acting Director of the United States Patent and Trademark Office