



US00D411768S

United States Patent [19]
Woodring

[11] **Patent Number: Des. 411,768**
[45] **Date of Patent: ** Jul. 6, 1999**

[54] **INTERLOCKING DRAWER ORGANIZER**

[75] Inventor: **Cooper C. Woodring**, Topeka, Kans.

[73] Assignee: **Barbara D. Arner**, Oxnard, Calif.

[**] Term: **14 Years**

[21] Appl. No.: **29/073,024**

[22] Filed: **Jun. 27, 1997**

[51] **LOC (6) Cl.** **03-01**

[52] **U.S. Cl.** **D3/314**

[58] **Field of Search** D3/304, 307-314;
D9/432; D19/75, 77, 85; D21/108; D34/1;
206/1.5, 371, 504; 211/69.1; 220/23.2-23.8

[56] **References Cited**

U.S. PATENT DOCUMENTS

D. 308,272	5/1990	Koepsell	D34/1 X
3,194,426	7/1965	Brown	220/23.4
4,170,082	10/1979	Freedman	220/23.4
4,192,562	3/1980	Bishoff et al.	.	
4,770,297	9/1988	Chang	.	
4,889,254	12/1989	Vola	220/23.4

4,982,858	1/1991	von Holdt	.	
5,050,755	9/1991	Strawder	.	
5,263,576	11/1993	Boreen et al.	.	
5,409,127	4/1995	Stratford et al.	220/23.4
5,447,249	9/1995	Vickers	220/23.4 X

Primary Examiner—Sandra L. Morris
Assistant Examiner—Richelle Shelton
Attorney, Agent, or Firm—Oppenheimer Wolff & Donnelly LLP

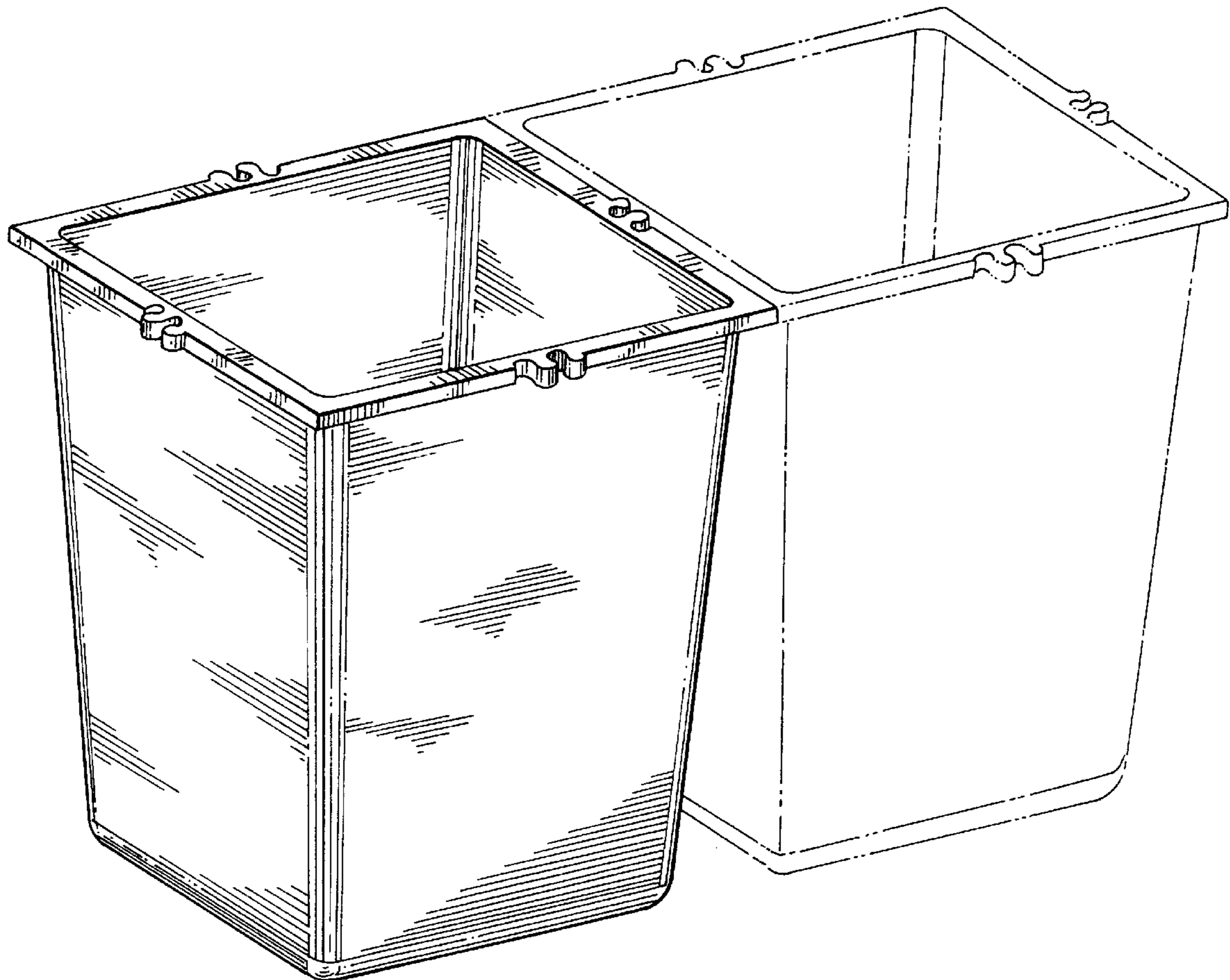
[57] **CLAIM**

The ornamental design for an interlocking drawer organizer, as shown and described.

DESCRIPTION

FIG. 1 is a front perspective view of an interlocking drawer organizer showing my new design; FIG. 2 is a top plan view of the drawer organizer of FIG. 1; FIG. 3 is a front elevational view thereof, the rear and side elevational views being identical; and, FIG. 4 is a bottom plan view of the interlocking drawer organizer of FIGS. 1 to 3.

1 Claim, 3 Drawing Sheets



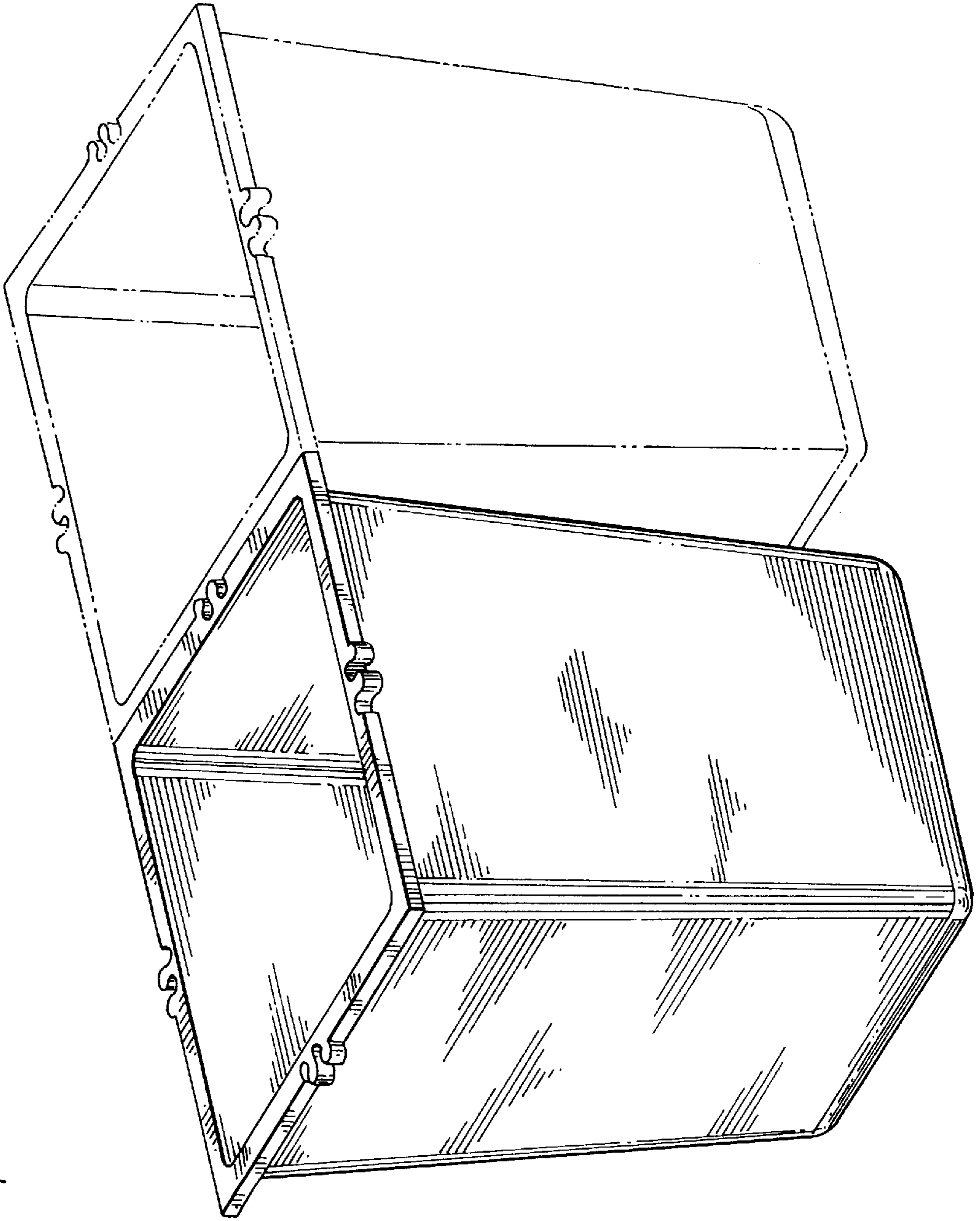


FIG. 1

FIG. 2

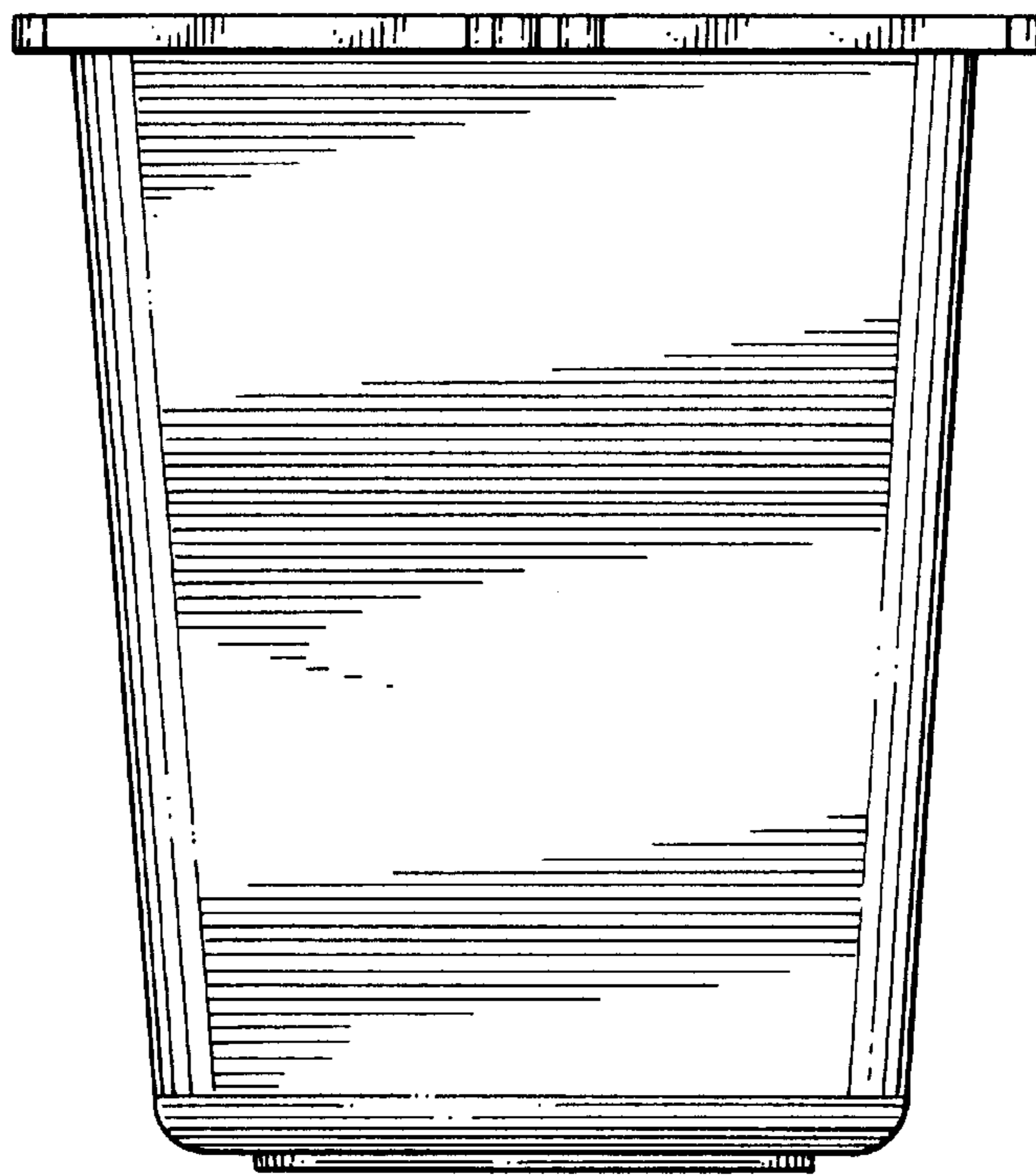
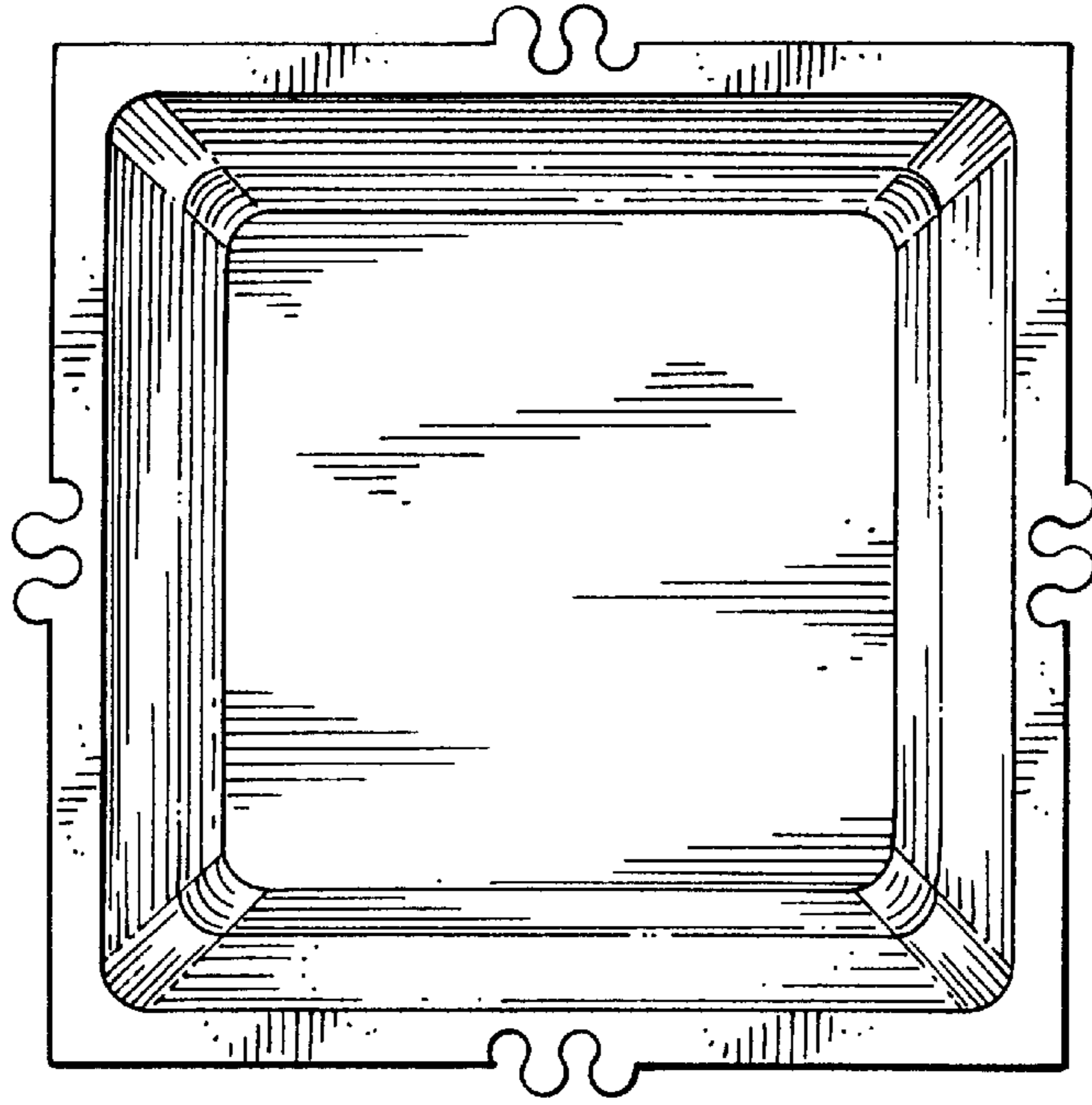


FIG. 3

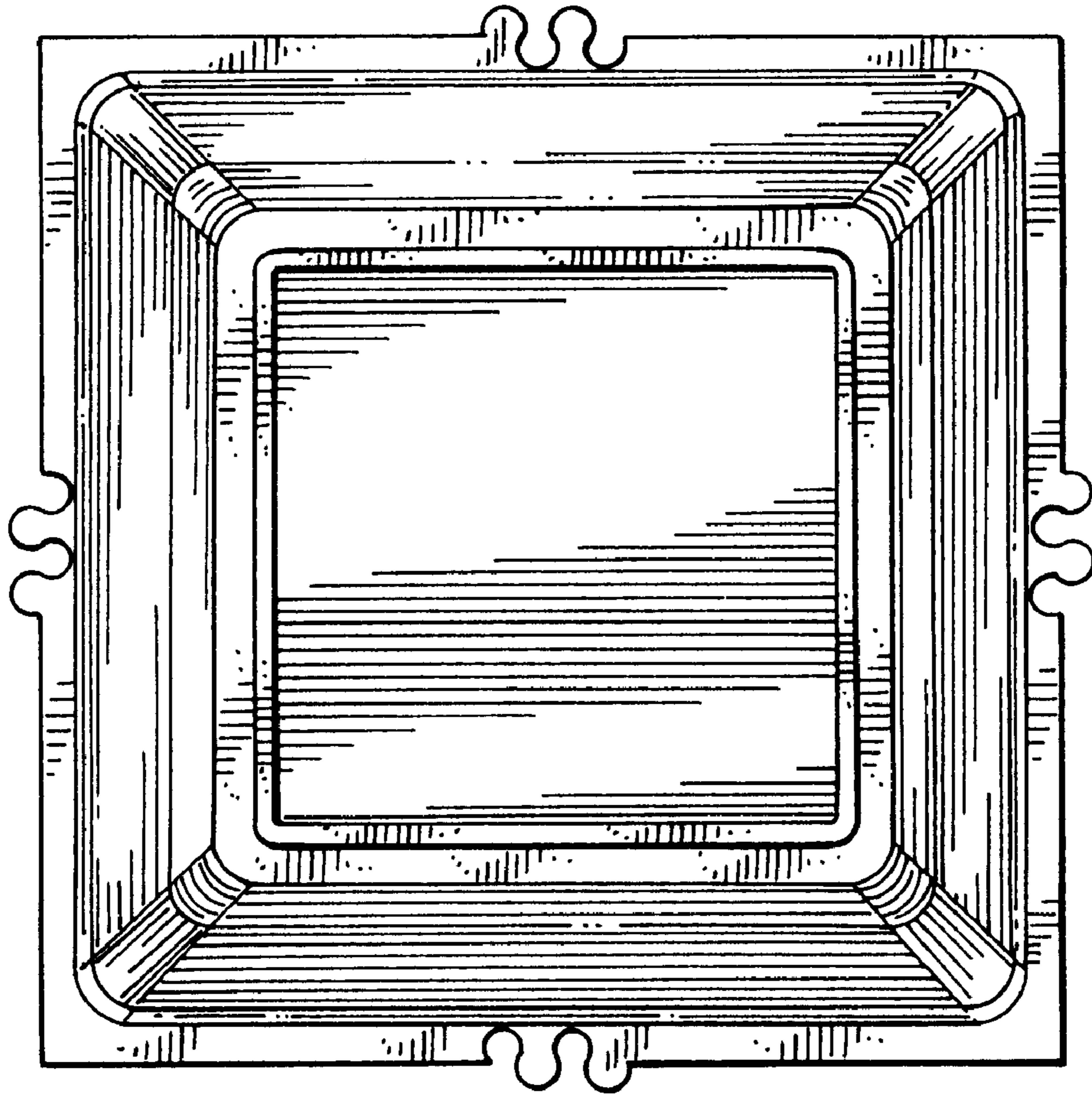


FIG. 4