



US00D411767S

**United States Patent** [19]  
**Keller**

[11] **Patent Number: Des. 411,767**  
[45] **Date of Patent: \*\* Jul. 6, 1999**

[54] **CONTAINER**

[75] Inventor: **Miles Keller**, Toronto, Canada

[73] Assignee: **Mapei Inc.**, Laval, Canada

[\*\*] Term: **14 Years**

[21] Appl. No.: **29/088,281**

[22] Filed: **May 20, 1998**

[51] **LOC (6) Cl.** ..... **03-01**

[52] **U.S. Cl.** ..... **D3/273; D9/420; D28/83**

[58] **Field of Search** ..... **D3/273, 294, 295;**  
**D9/420; D28/83; 206/235, 265, 581; 220/334,**  
**337, 376**

[56] **References Cited**

**U.S. PATENT DOCUMENTS**

D. 255,038	5/1980	Itakura	.....	D3/273
D. 267,821	2/1983	Guth et al.	.....	D28/83
D. 277,418	1/1985	Hemrich, Jr. et al.	.....	D28/83
D. 290,759	7/1987	Trabattoni	.....	D28/83
D. 306,519	3/1990	Nakata	.....	D3/302

D. 320,472	10/1991	Favre	.....	D28/83
D. 326,226	5/1992	Gerhart	.....	D28/83
D. 332,328	1/1993	Lombardi, Jr.	.....	D28/83
D. 366,280	1/1996	Henderson	.....	D28/83

*Primary Examiner*—Philip S. Hyder  
*Attorney, Agent, or Firm*—George A. Seaby

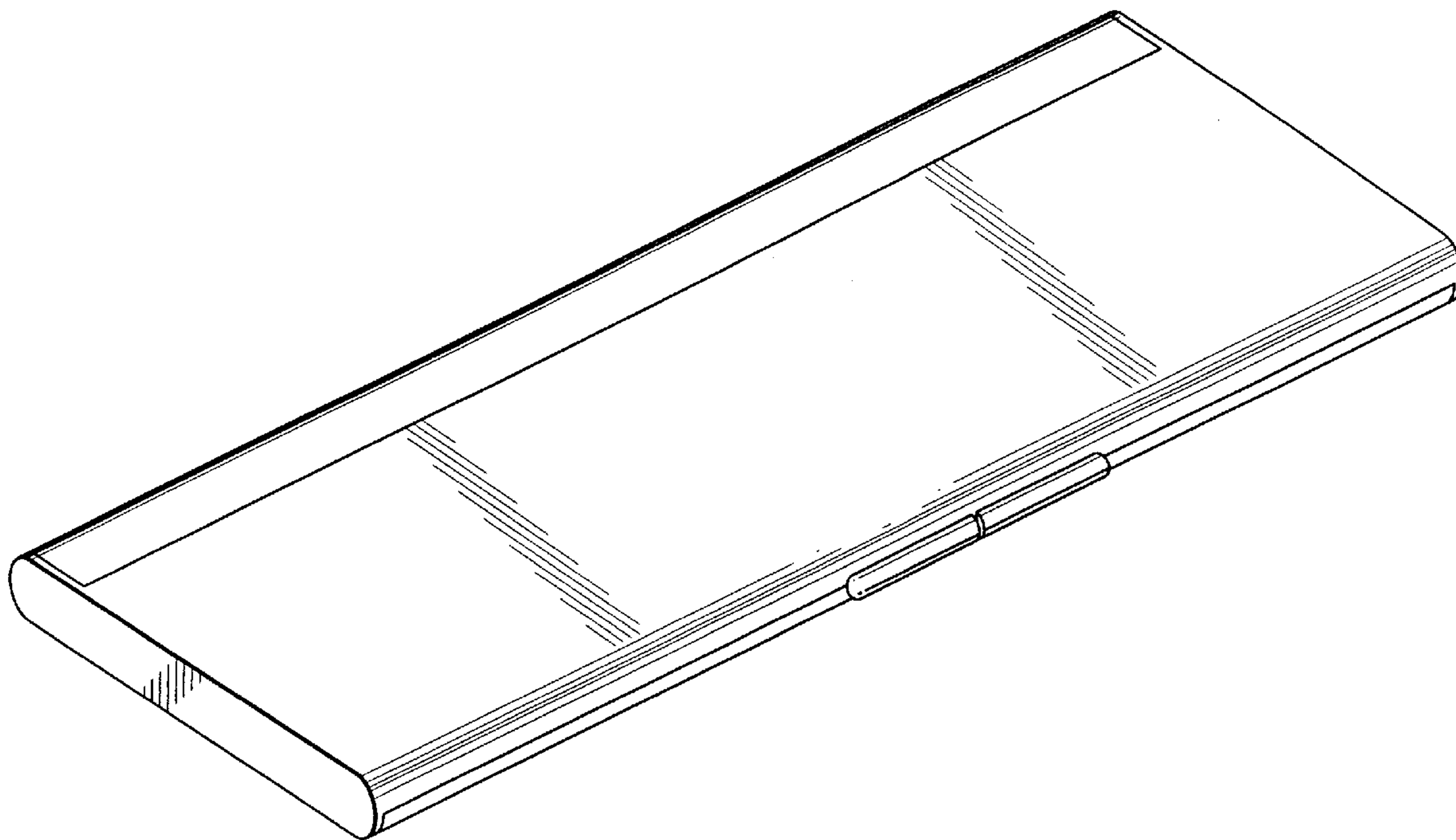
[57] **CLAIM**

The ornamental design for a container, as shown and described.

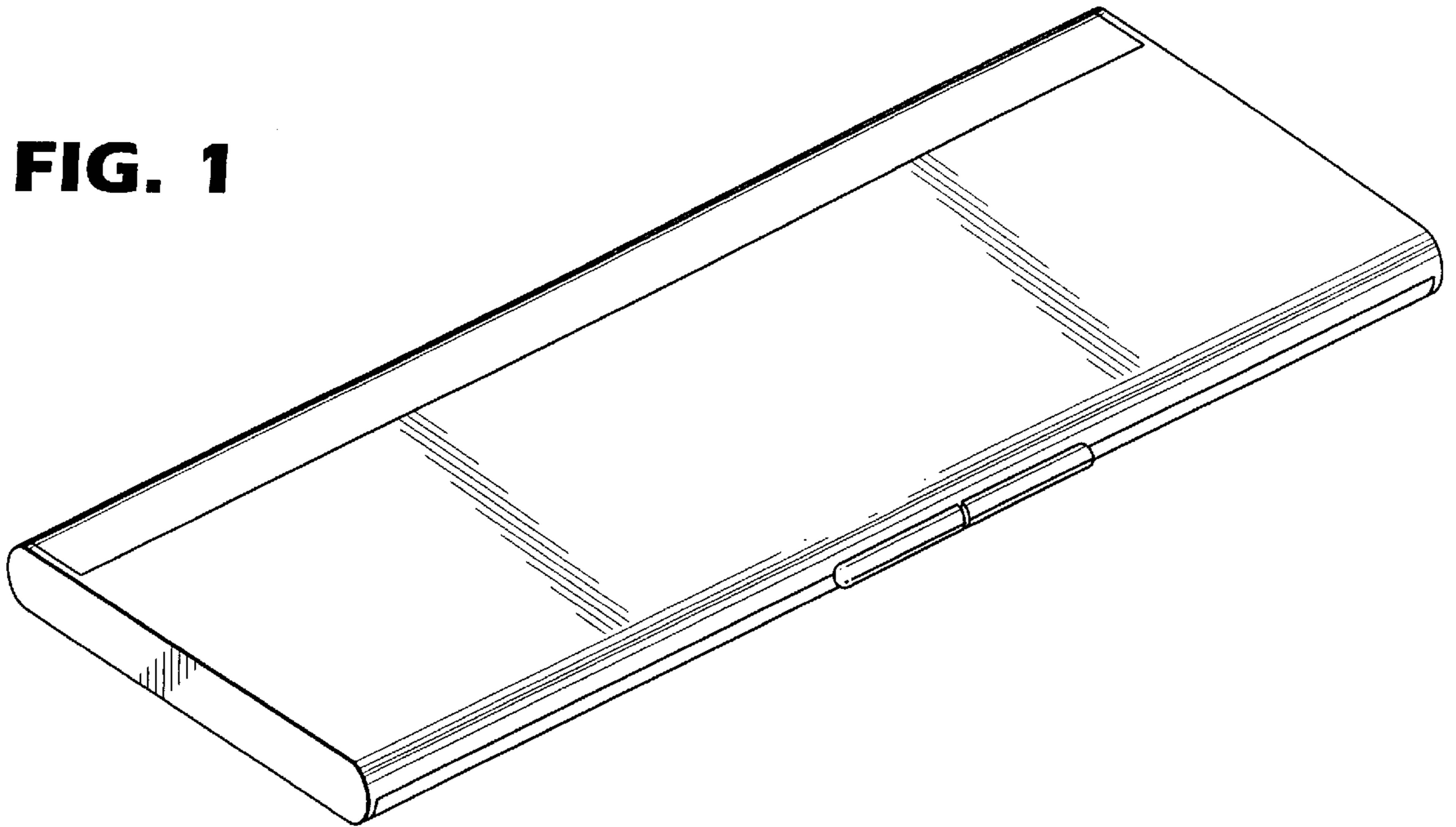
**DESCRIPTION**

FIG. 1 is a perspective view from above of the container showing my new design;  
FIG. 2 is a perspective view from below thereof;  
FIG. 3 is a perspective view from above of the container of FIGS. 1 and 2, fully opened;  
FIG. 4 is a perspective view from below of the container of FIGS. 1 and 2, fully opened; and,  
FIG. 5 is a top plan view of the container of FIGS. 1 and 2, fully opened.

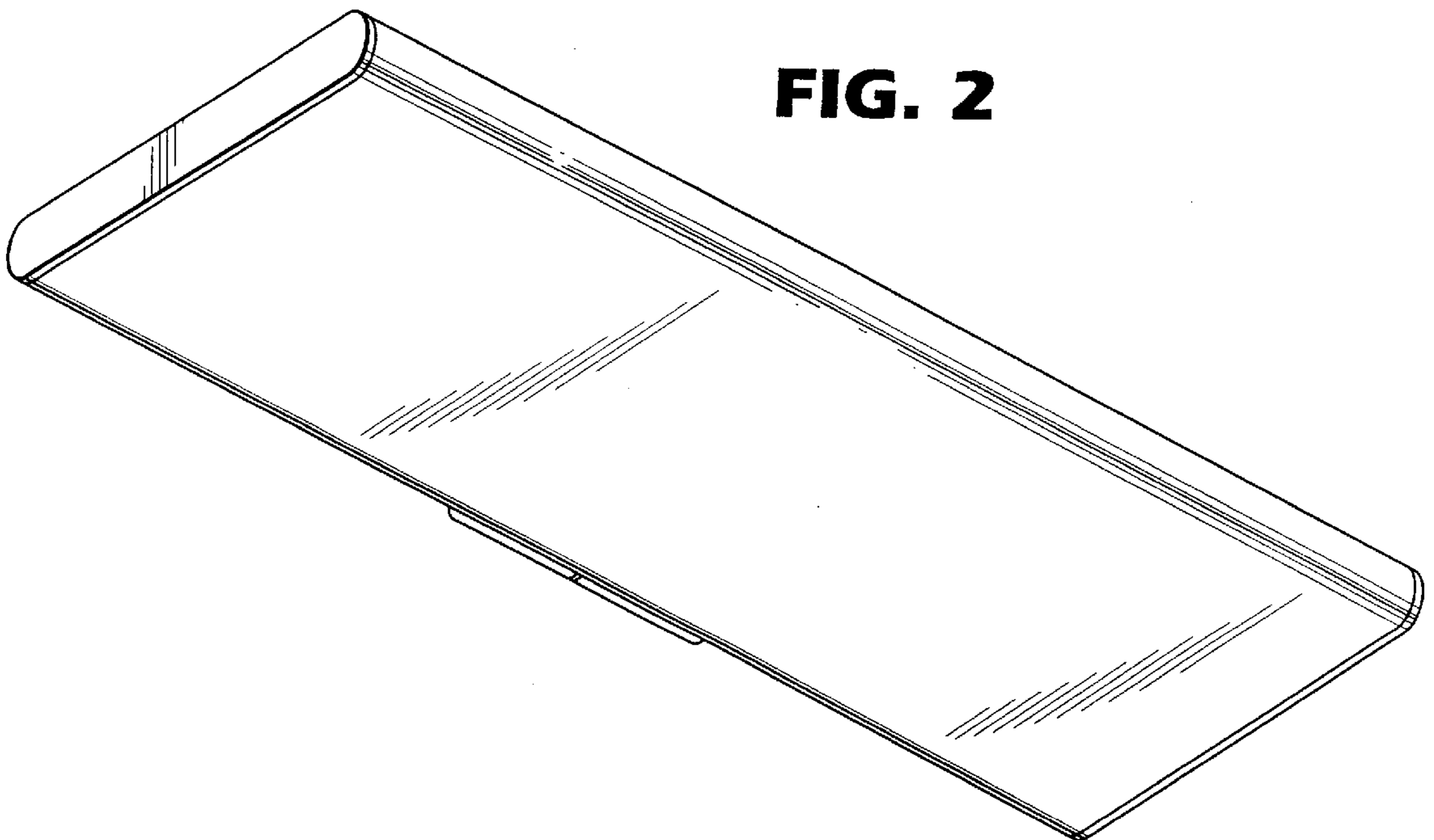
**1 Claim, 4 Drawing Sheets**

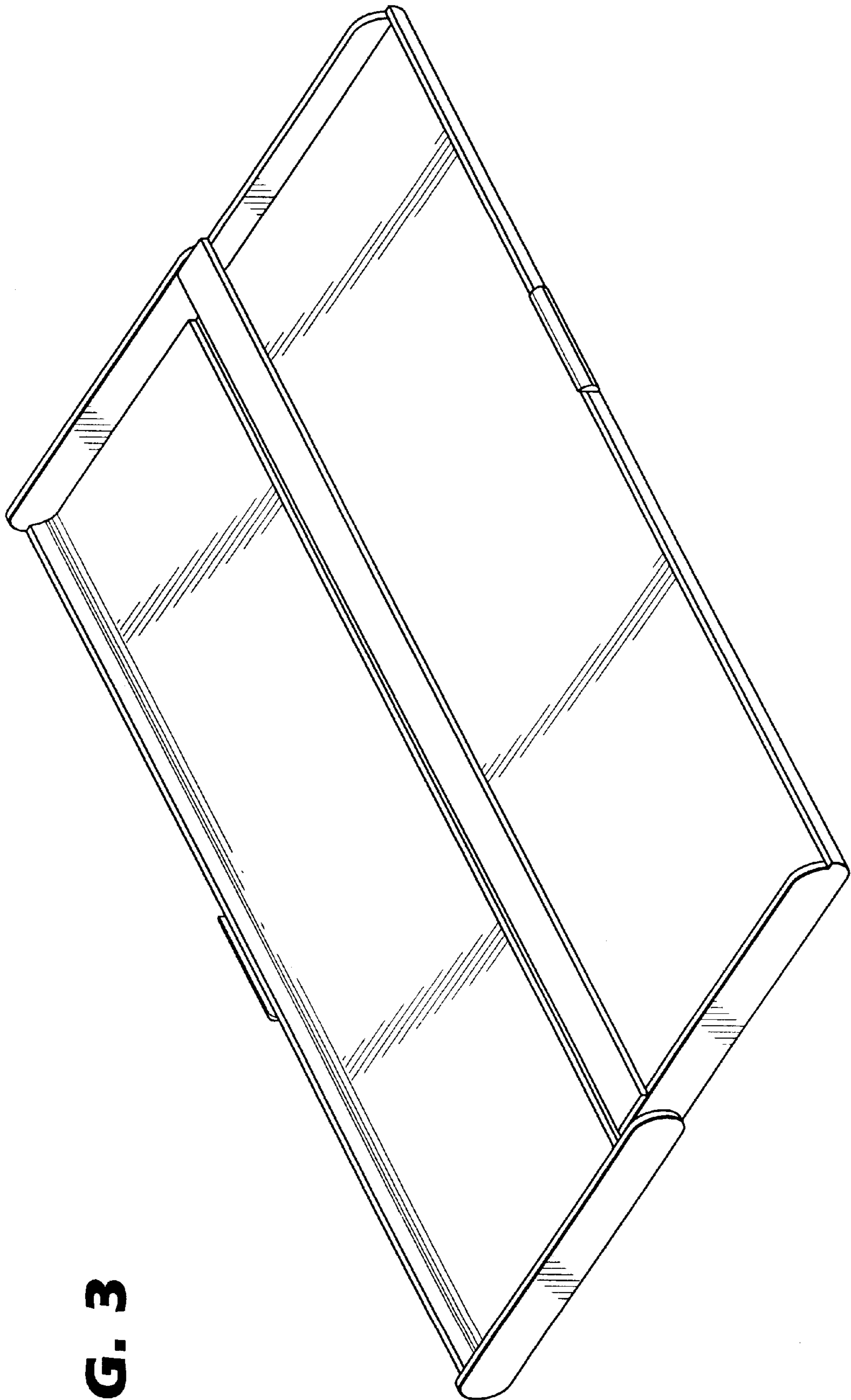


**FIG. 1**



**FIG. 2**

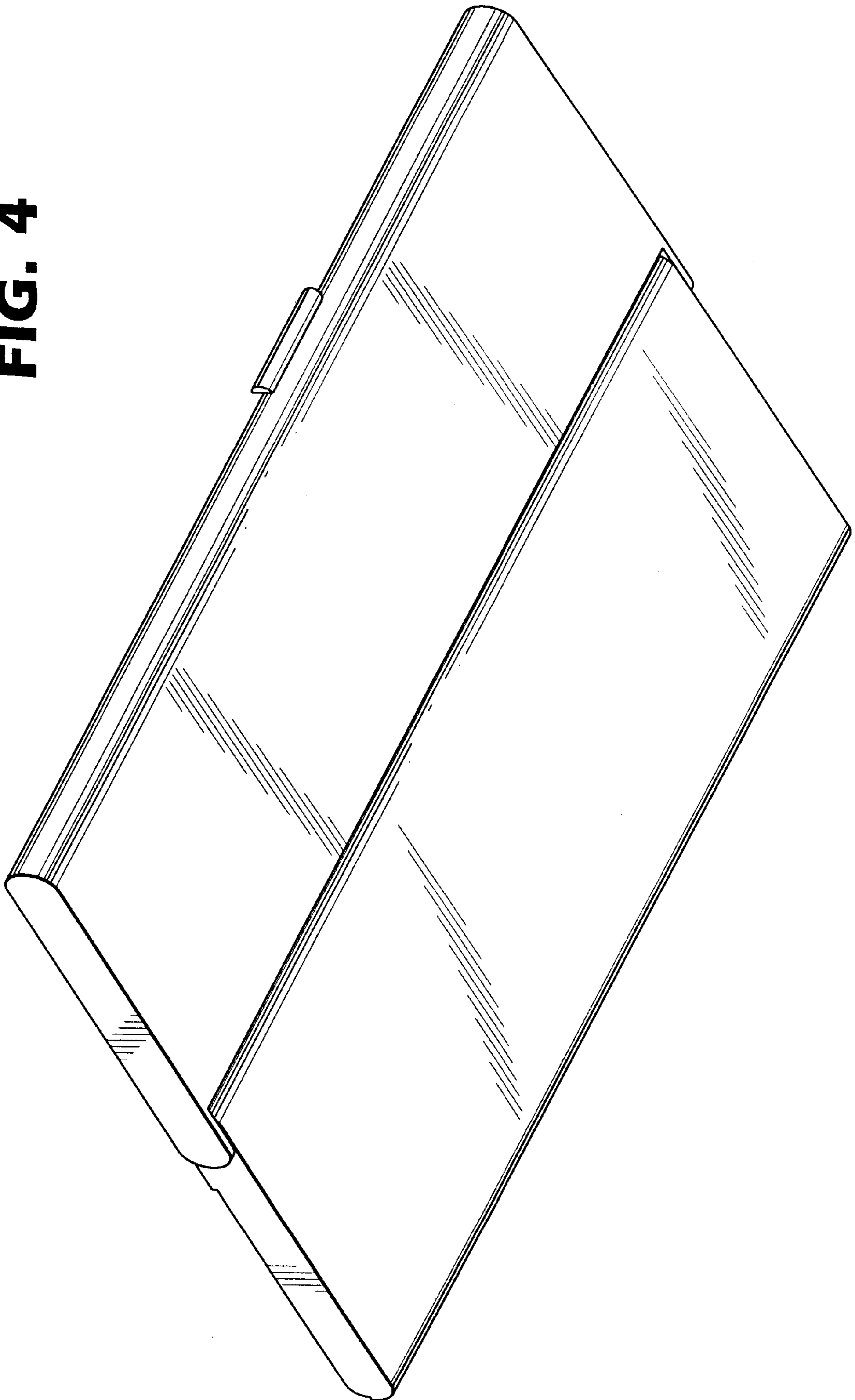




**FIG. 3**



**FIG. 4**



**FIG. 5**

