



US00D411766S

United States Patent [19] Elkington

[11] Patent Number: **Des. 411,766**

[45] Date of Patent: **** Jul. 6, 1999**

[54] **WALLET**

[75] Inventor: **John A. Elkington**, Piedmont, Mo.

[73] Assignee: **Corlair Corporation**, Piedmont, Mo.

[**] Term: **14 Years**

[21] Appl. No.: **29/089,360**

[22] Filed: **Jun. 15, 1998**

[51] **LOC (6) Cl.** **03-01**

[52] **U.S. Cl.** **D3/250; D3/247**

[58] **Field of Search** **D3/247, 250, 253;**
150/137, 139, 142; 383/76; 206/37; 224/666,
670

[56] **References Cited**

U.S. PATENT DOCUMENTS

| | | | | |
|------------|---------|---------------|-------|----------|
| D. 159,470 | 8/1950 | Broughton | | 150/142 |
| D. 269,625 | 7/1983 | Draddy | | D3/247 X |
| 1,223,946 | 4/1917 | Fenigstein | | 150/137 |
| 2,382,368 | 8/1945 | Mitchell, Jr. | | 224/670 |
| 2,455,515 | 12/1948 | Miller | | 150/137 |
| 2,719,557 | 10/1955 | Bell | | 150/17 |
| 2,748,821 | 6/1956 | Hutchinson | | 150/139 |

| | | | | |
|-----------|--------|-----------|-------|----------|
| 4,141,400 | 2/1979 | Mangan | | D3/247 X |
| 4,915,218 | 4/1990 | Brekke | | 224/666 |
| 5,080,223 | 1/1992 | Mitsuyama | | 206/37 |

Primary Examiner—B. J. Bullock
Assistant Examiner—Monica A. Weingart
Attorney, Agent, or Firm—Grace J. Fishel

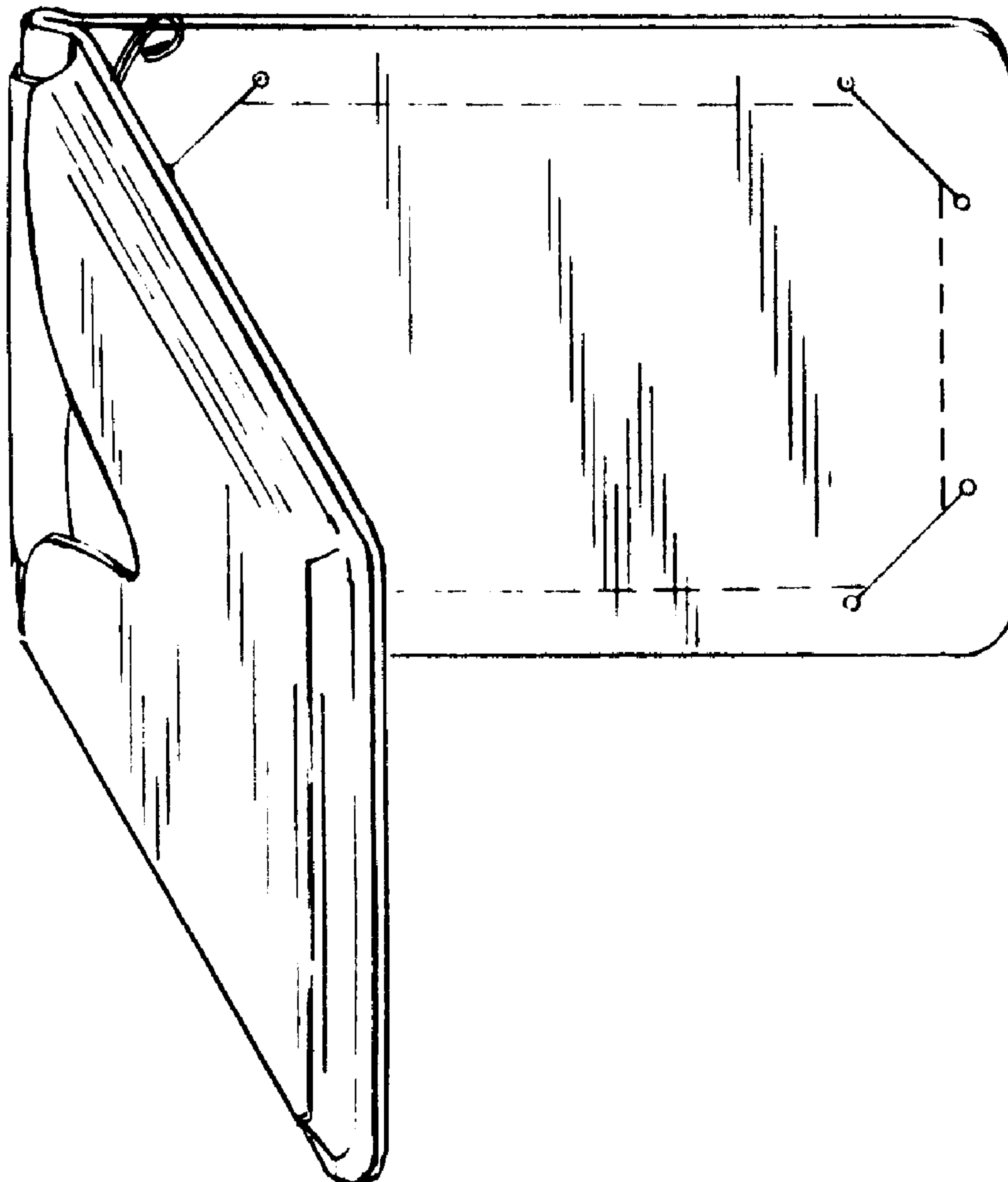
[57] **CLAIM**

The ornamental design for a wallet, as shown.

DESCRIPTION

FIG. 1 is a perspective view of a wallet showing my new design;
FIG. 2 is an front view thereof as viewed in FIG. 1;
FIG. 3 is a top view thereof;
FIG. 4 is a left side view thereof;
FIG. 5 is a right side view thereof;
FIG. 6 is a bottom view thereof;
FIG. 7 is an inside plan view;
FIG. 8 is top view thereof as viewed in FIG. 7;
FIG. 9 is an outside plan view;
FIG. 10 is a bottom view thereof as viewed in FIG. 9; and,
FIG. 11 is a side view thereof.

1 Claim, 3 Drawing Sheets



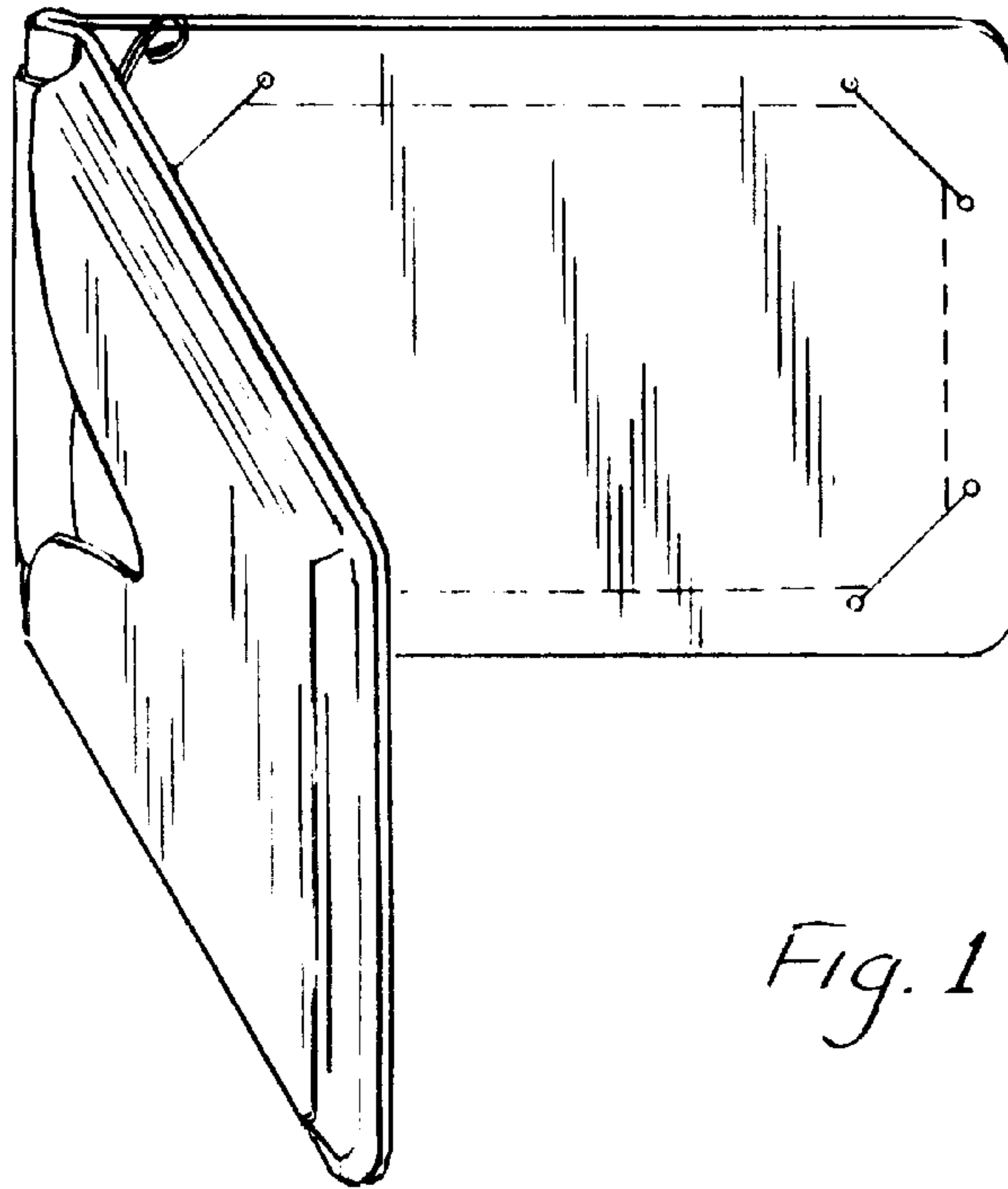


Fig. 1

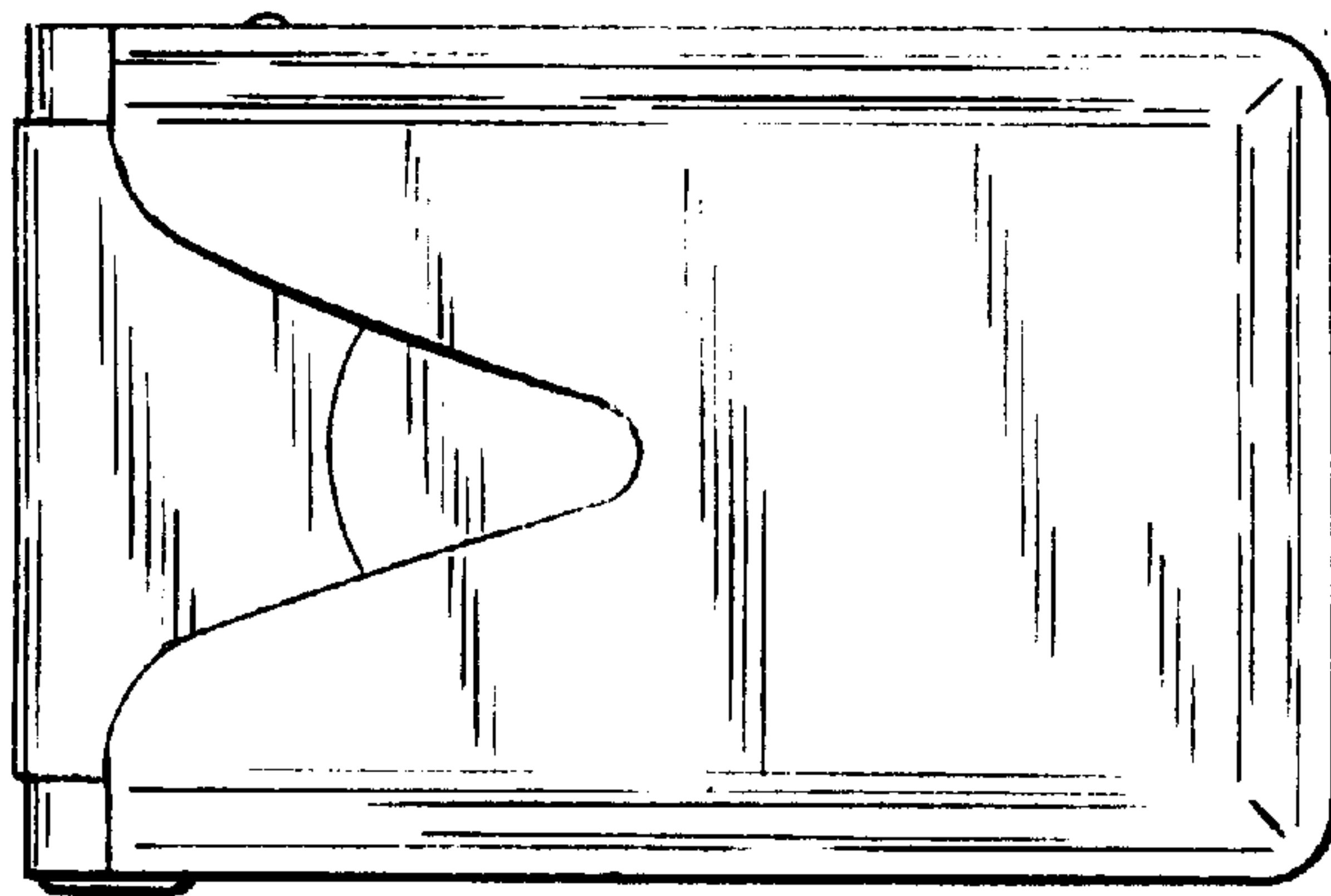


Fig. 2

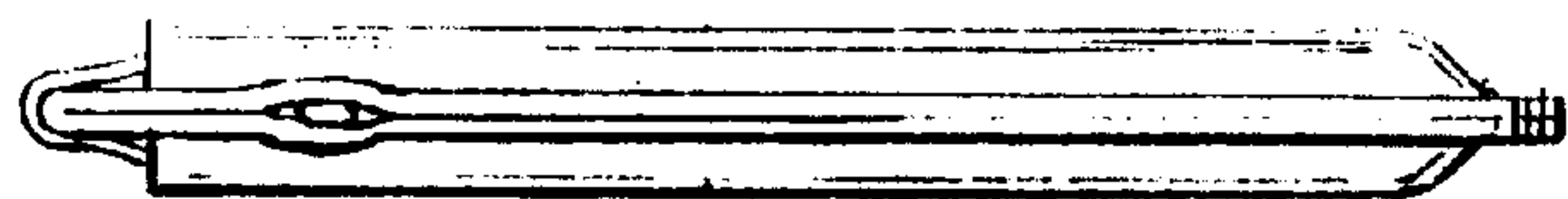


Fig. 3



Fig. 4



Fig. 5

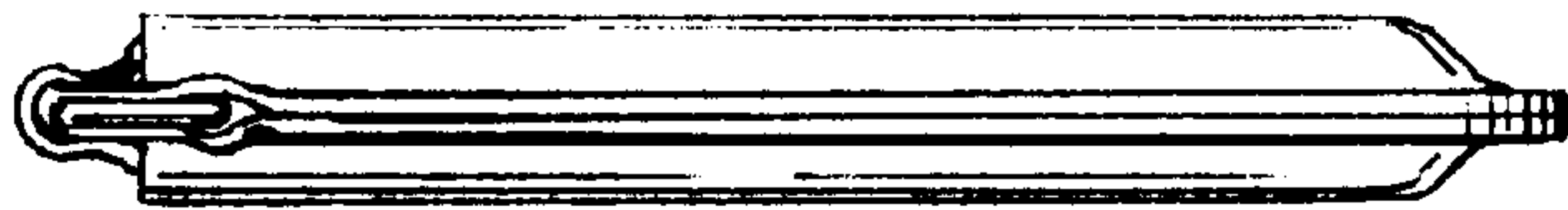


Fig. 6

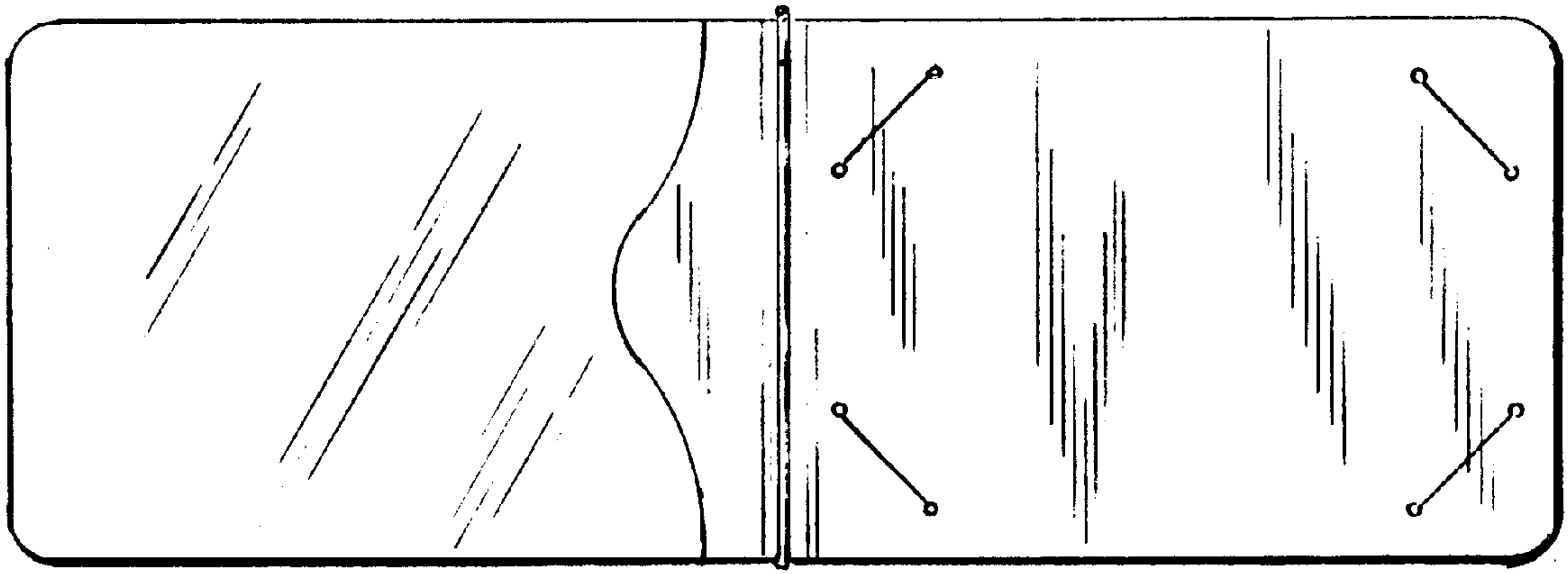


Fig. 7

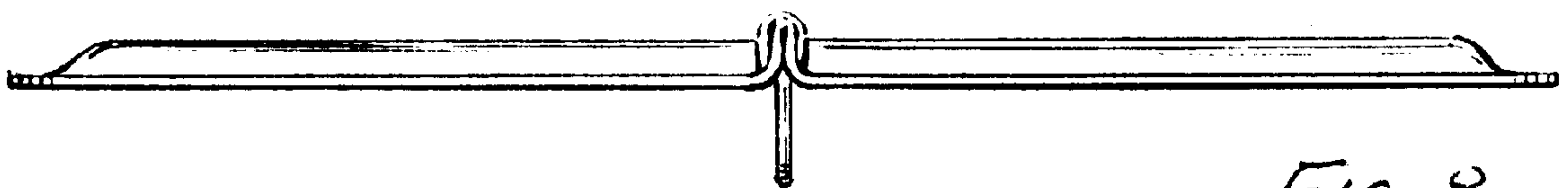


Fig. 8

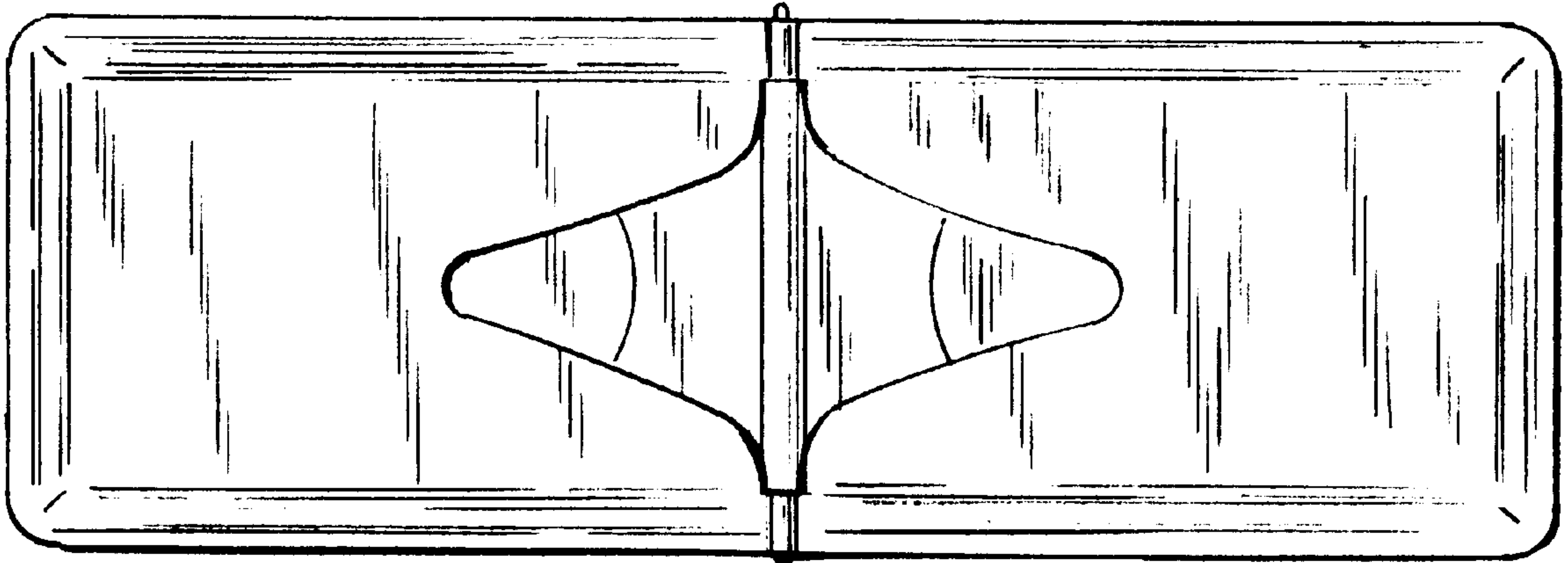


Fig. 9

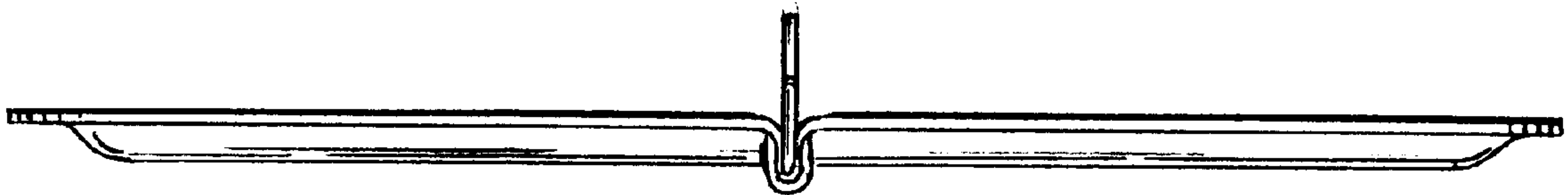


Fig. 10



Fig. 11

UNITED STATES PATENT AND TRADEMARK OFFICE
CERTIFICATE OF CORRECTION

Page 1 of 5

PATENT NO. : D 411,766
DATED : July 6, 1999
INVENTOR(S) : John A. Elkington

It is certified that error appears in the above-identified patent and that said Letters Patent is hereby corrected as shown below:

The title page, showing the illustrative figure, should be deleted and substitute therefor the attached title page.

The drawing sheets, consisting of Figs. 1-11, should be deleted to be replaced with the drawing sheets, consisting of Figs. 1-11, as shown on the attached page.

Signed and Sealed this
Sixteenth Day of November, 1999

Attest:



Q. TODD DICKINSON

Attesting Officer

Acting Commissioner of Patents and Trademarks

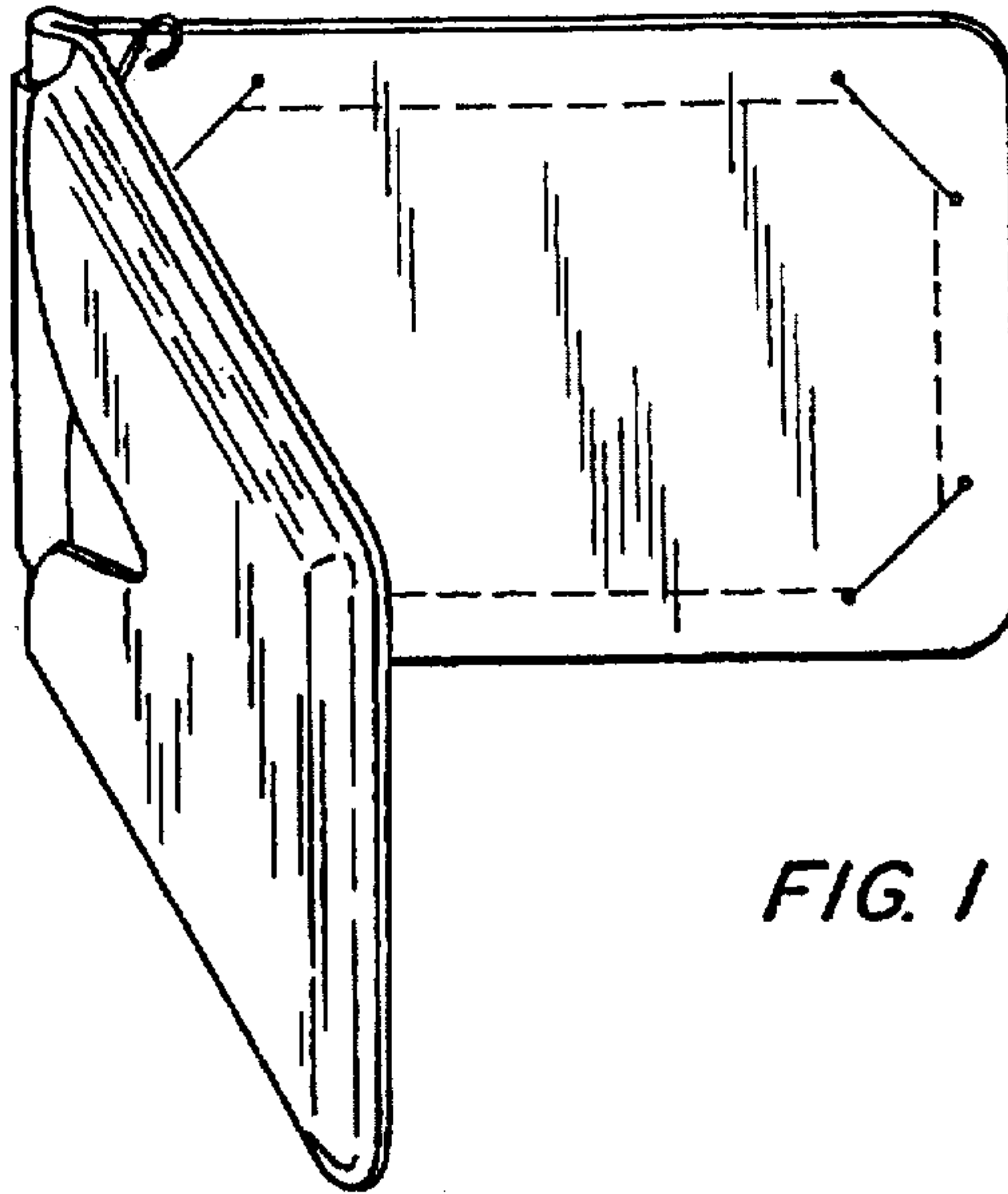


FIG. 1

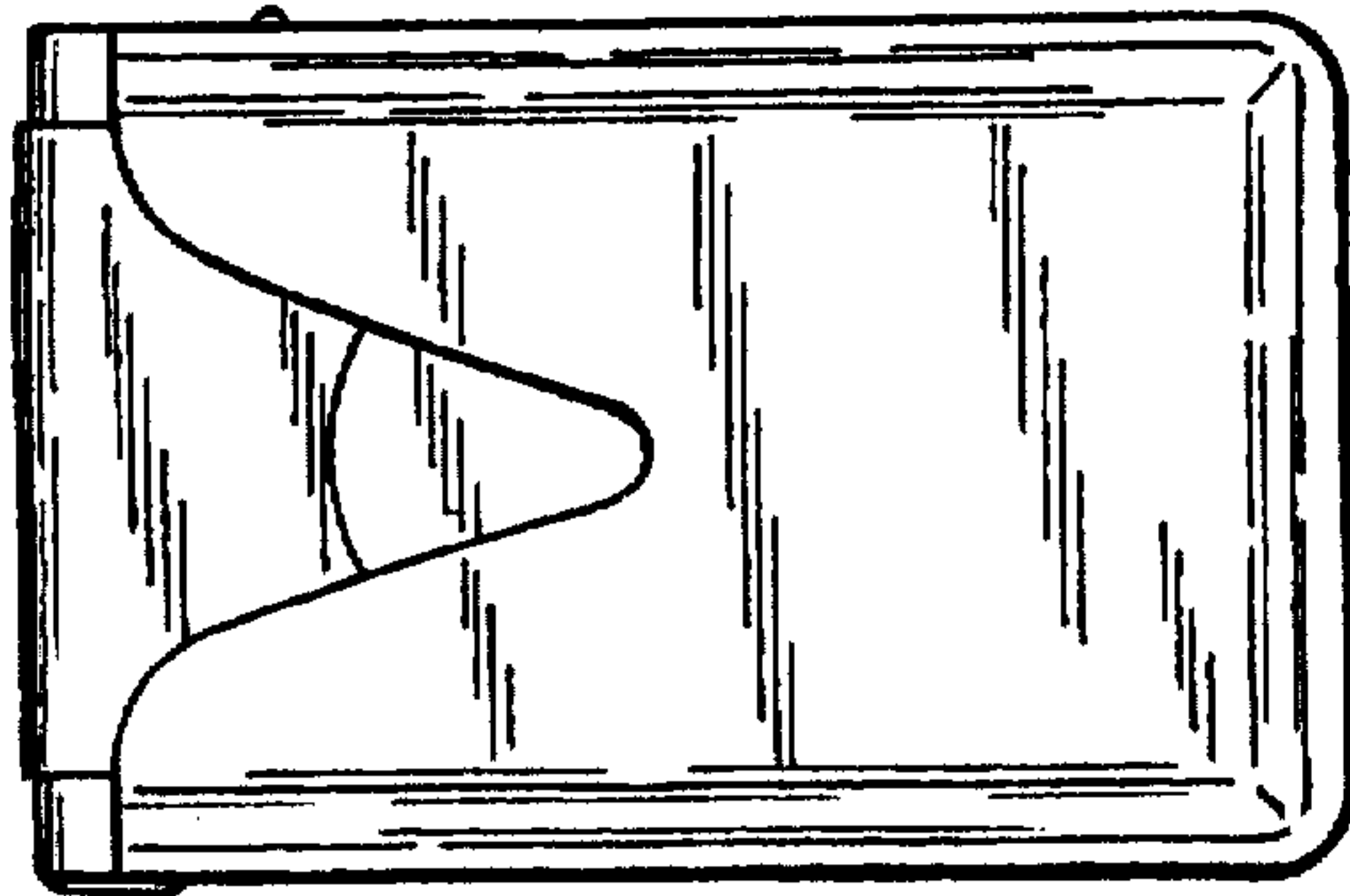


FIG. 2

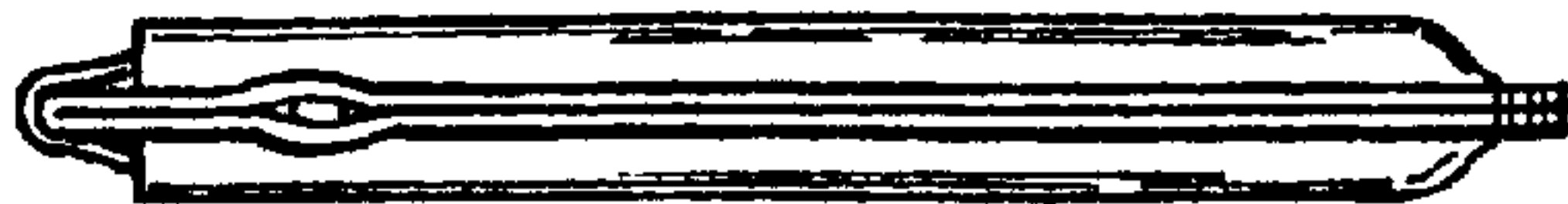
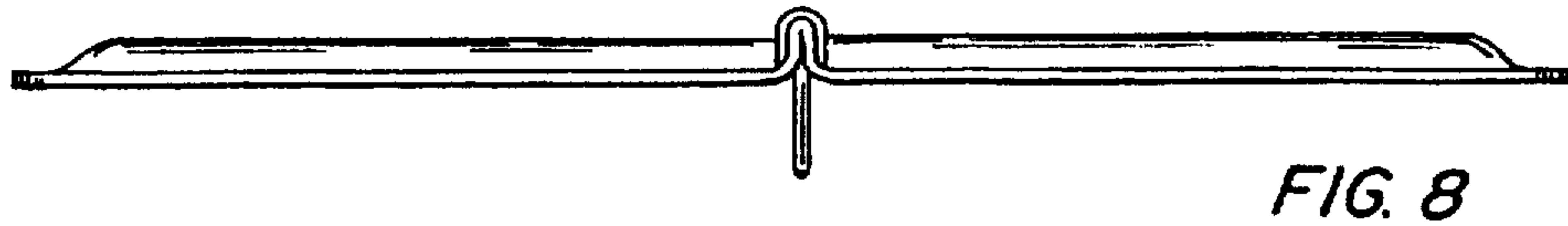
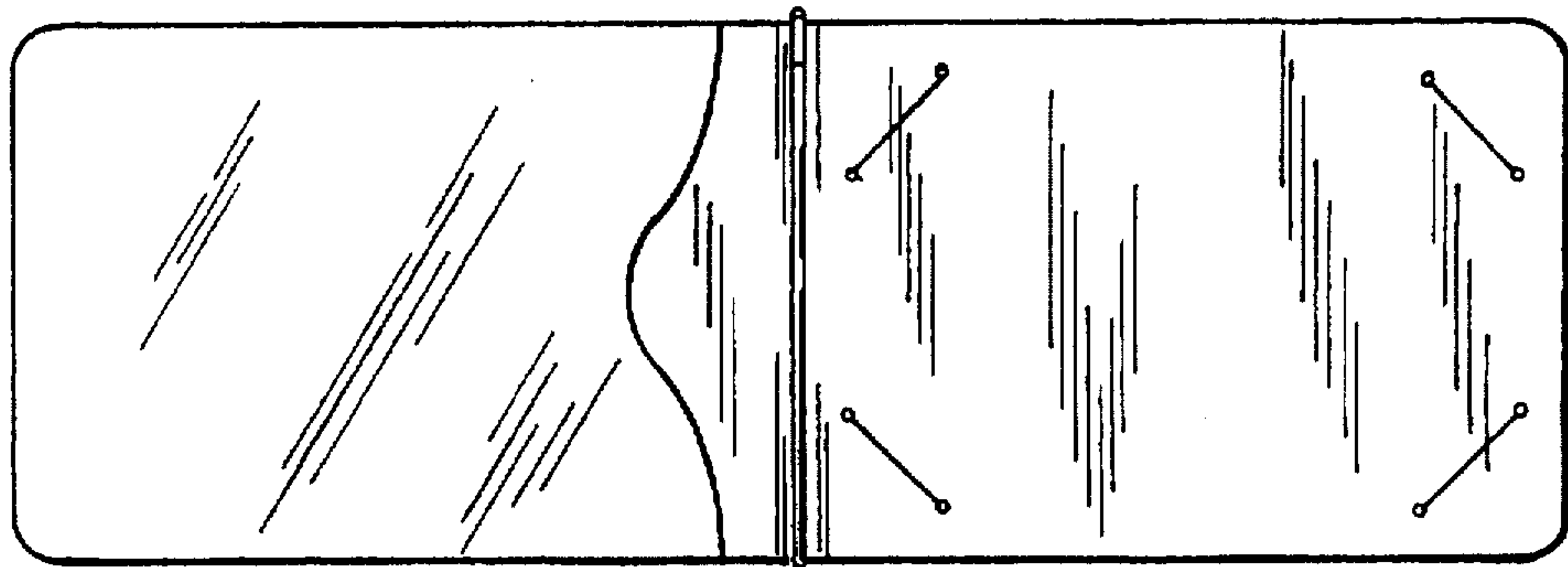
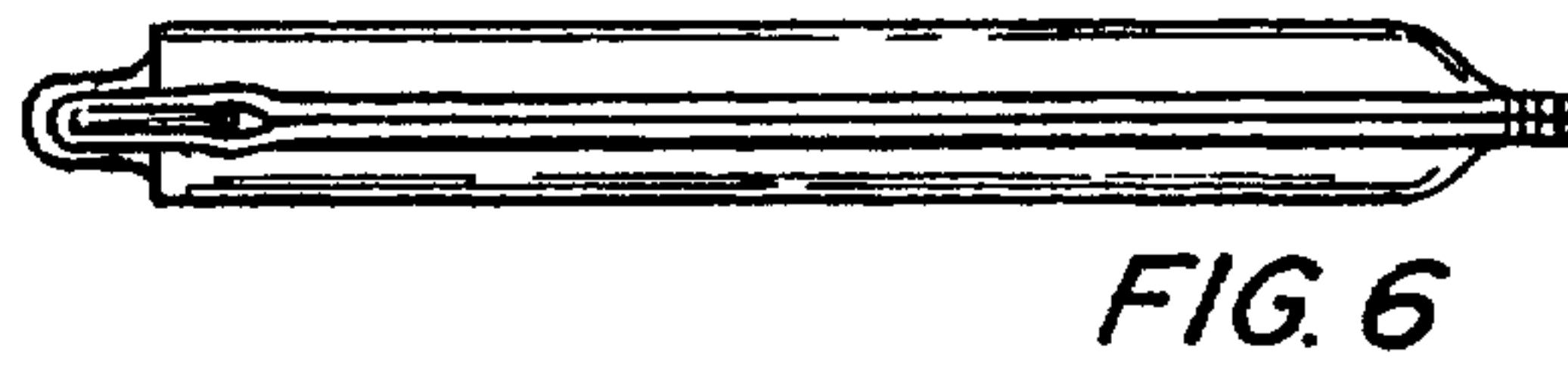
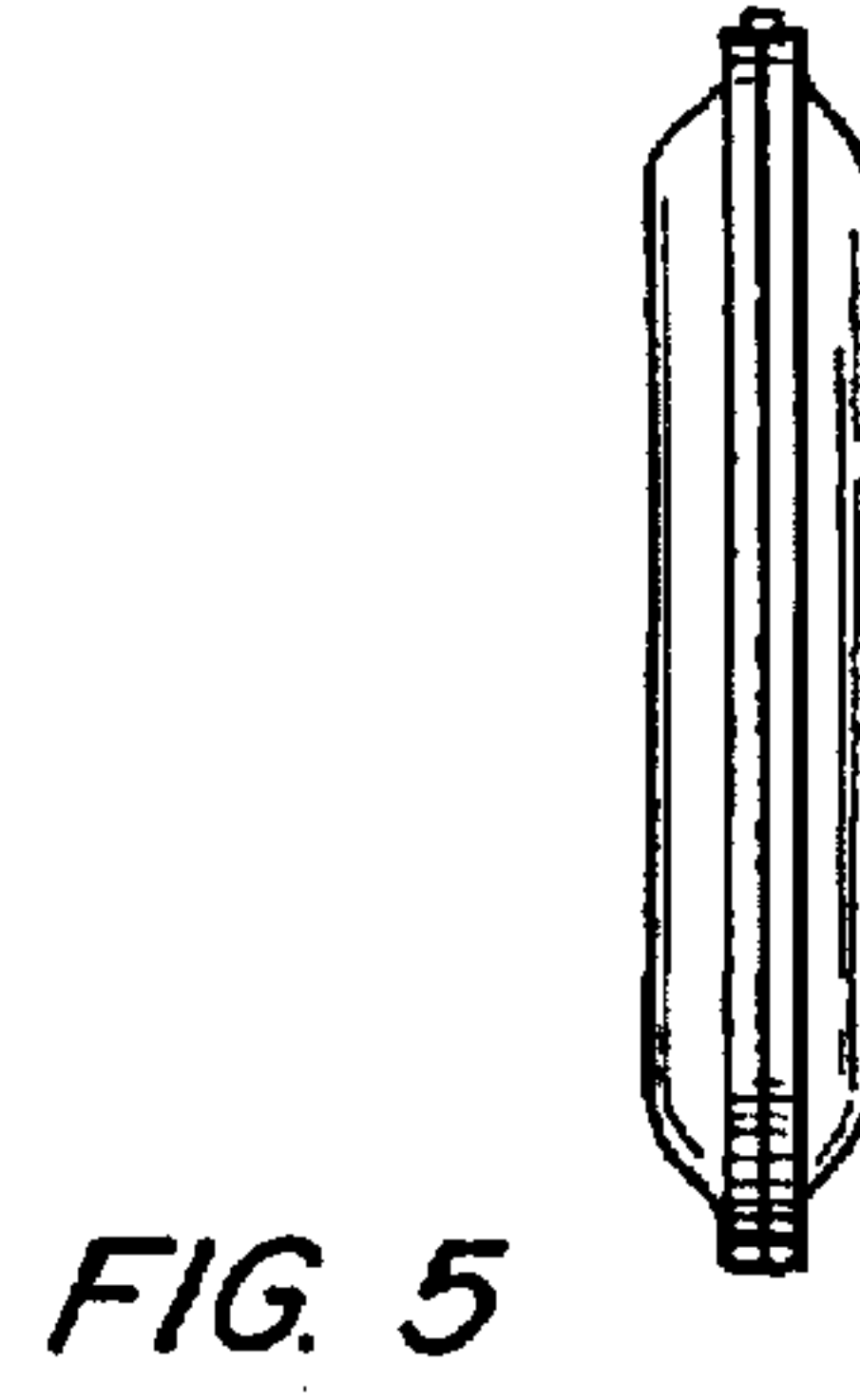


FIG. 3



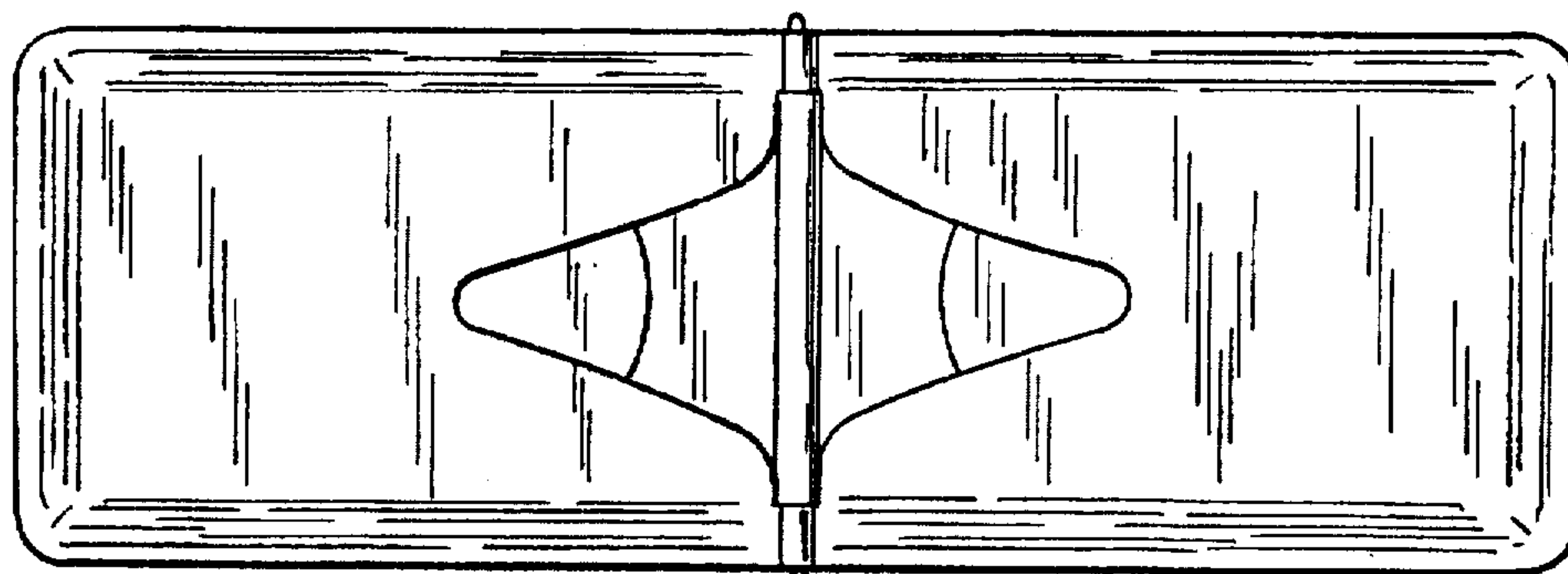


FIG. 9

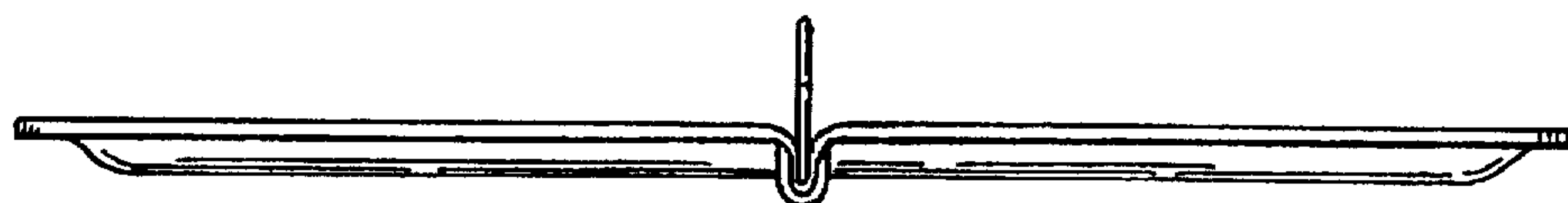


FIG. 10



FIG. 11