



US00D411762S

United States Patent [19]

You

[11] **Patent Number: Des. 411,762**

[45] **Date of Patent: ** Jul. 6, 1999**

[54] **UMBRELLA**

D. 342,378 12/1993 Pedorella D3/6
D. 353,260 12/1994 Barras D3/6

[76] Inventor: **Ching-Chuan You**, c/o Percy
International Patent Corp. P.O. Box
1-79, Taipei, Taiwan

Primary Examiner—Louis S. Zarfes
Assistant Examiner—Catherine R. Oliver

[**] Term: **14 Years**

[57] **CLAIM**

The ornamental design for an umbrella, as shown.

[21] Appl. No.: **29/084,555**

DESCRIPTION

[22] Filed: **Mar. 5, 1998**

[51] **LOC (6) Cl.** **03-03**

[52] **U.S. Cl.** **D3/6**

[58] **Field of Search** D3/5, 6, 10; 135/15.1,
135/16, 25.3

FIG. 1 is a perspective view of the umbrella of this invention;
FIG. 2 is a front view thereof;
FIG. 3 is a rear view thereof;
FIG. 4 is a left side view thereof;
FIG. 5 is a right side view thereof;
FIG. 6 is a top view thereof; and,
FIG. 7 is a bottom view thereof.

[56] **References Cited**

U.S. PATENT DOCUMENTS

D. 339,910 10/1993 Flanagan D3/6

1 Claim, 7 Drawing Sheets



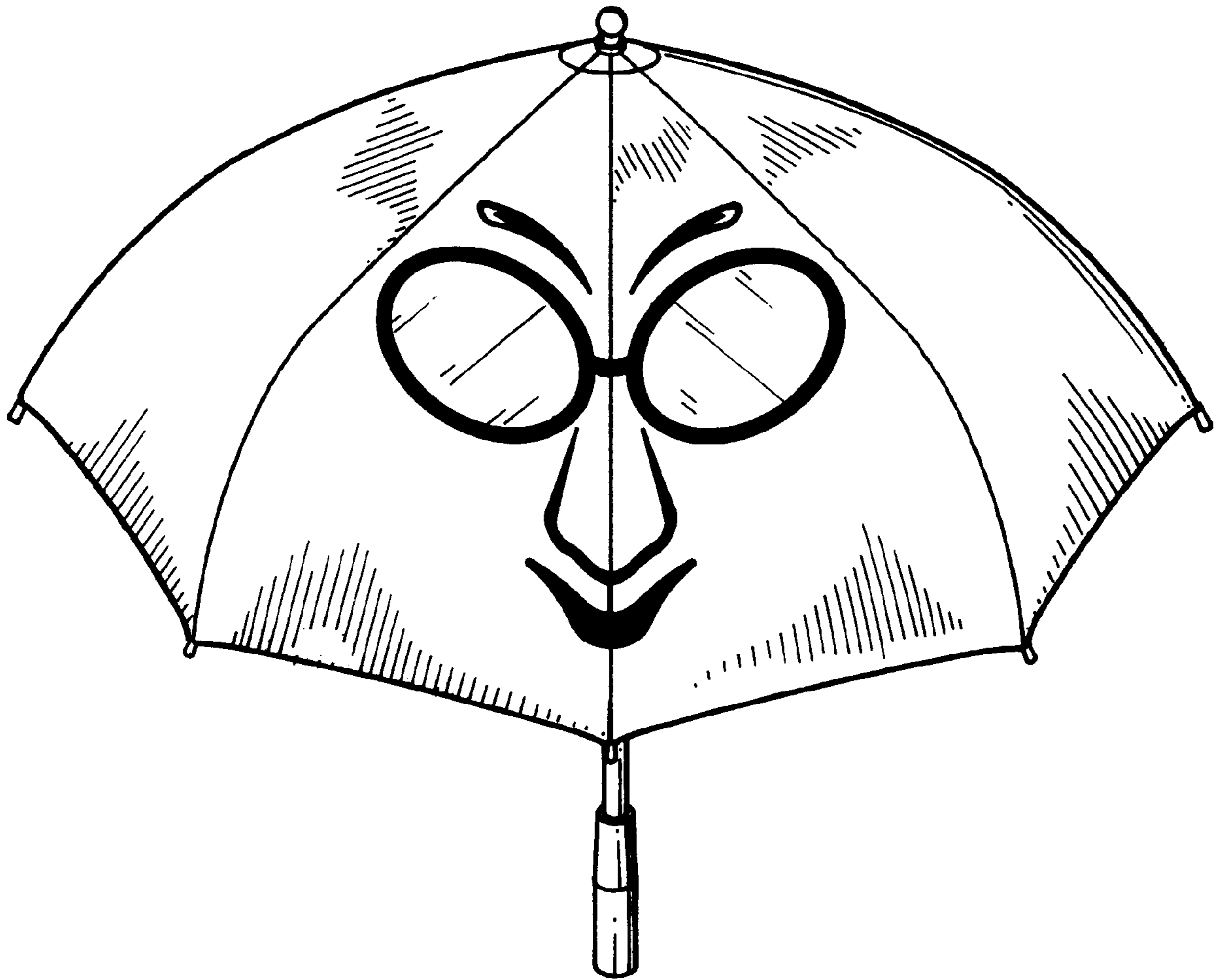


FIG. 1

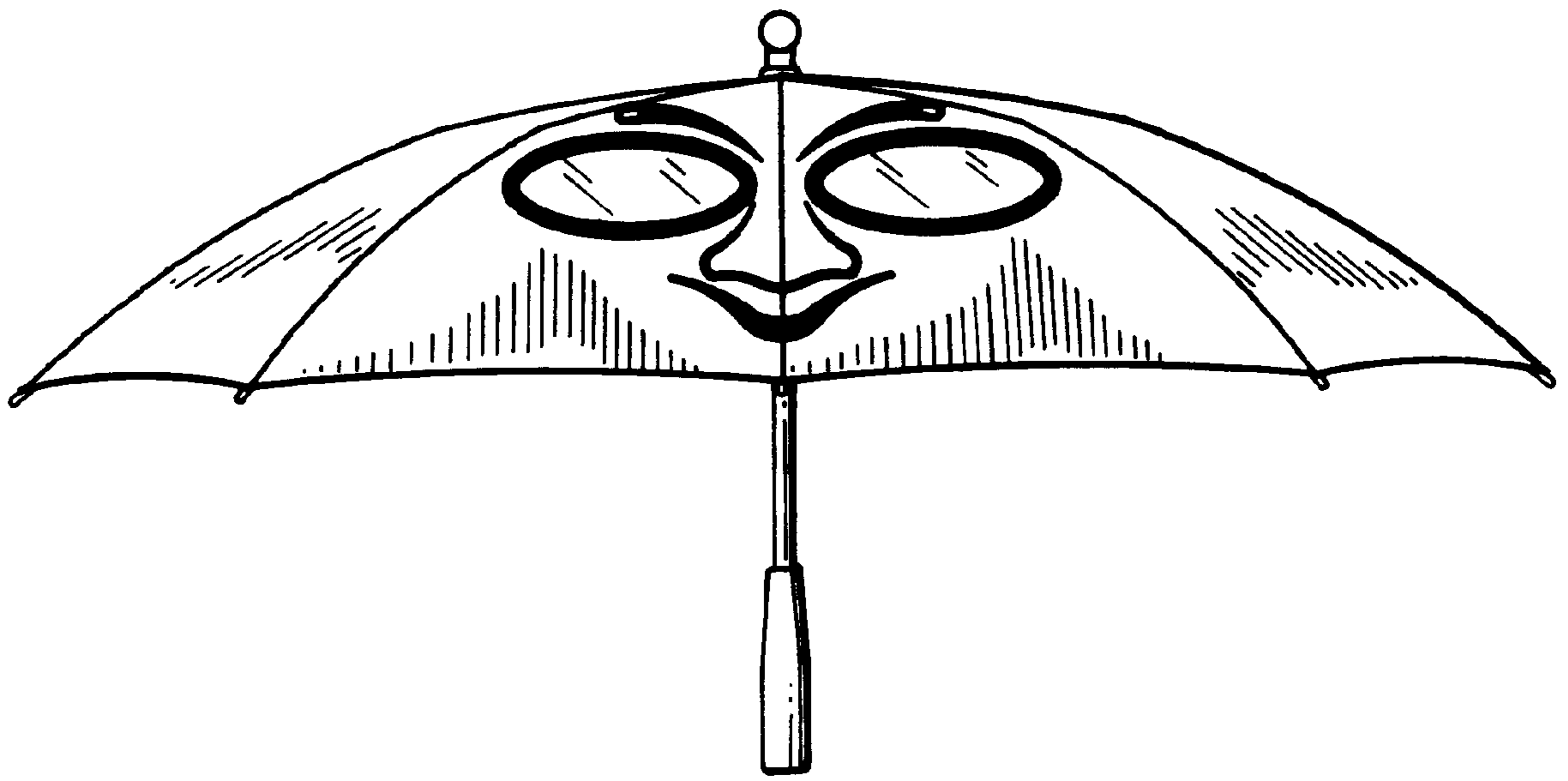


FIG.2

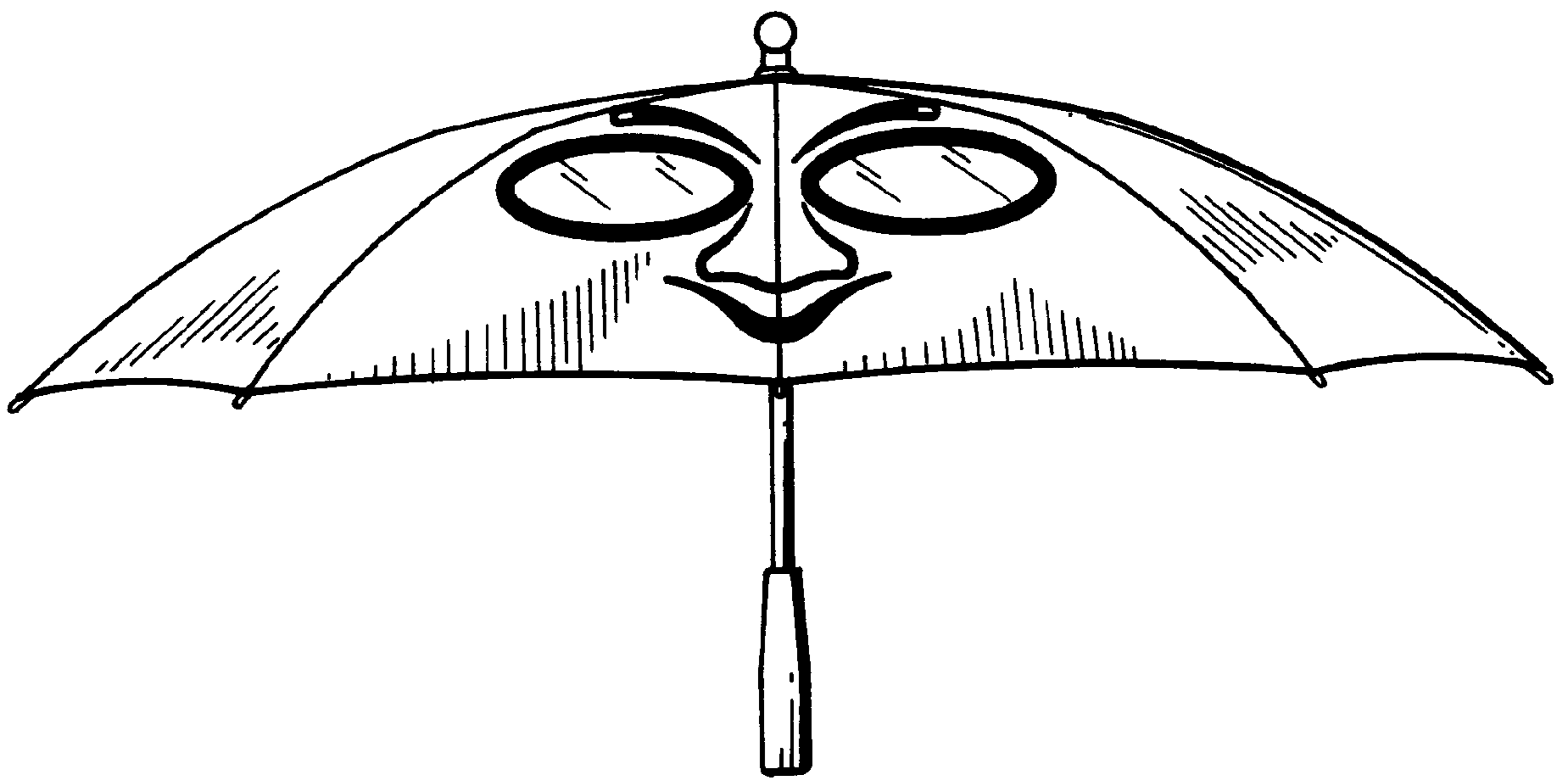


FIG.3

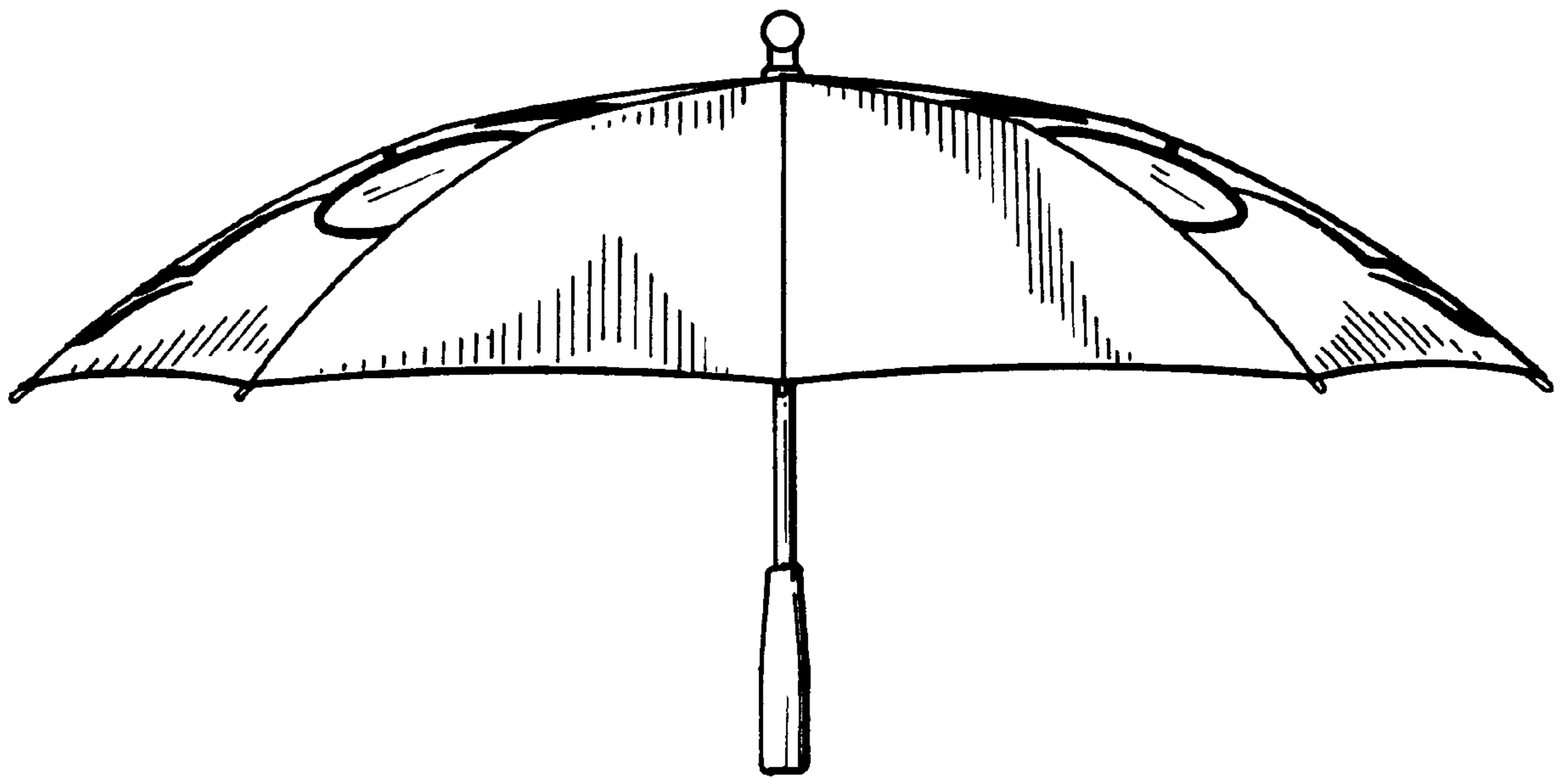


FIG.4

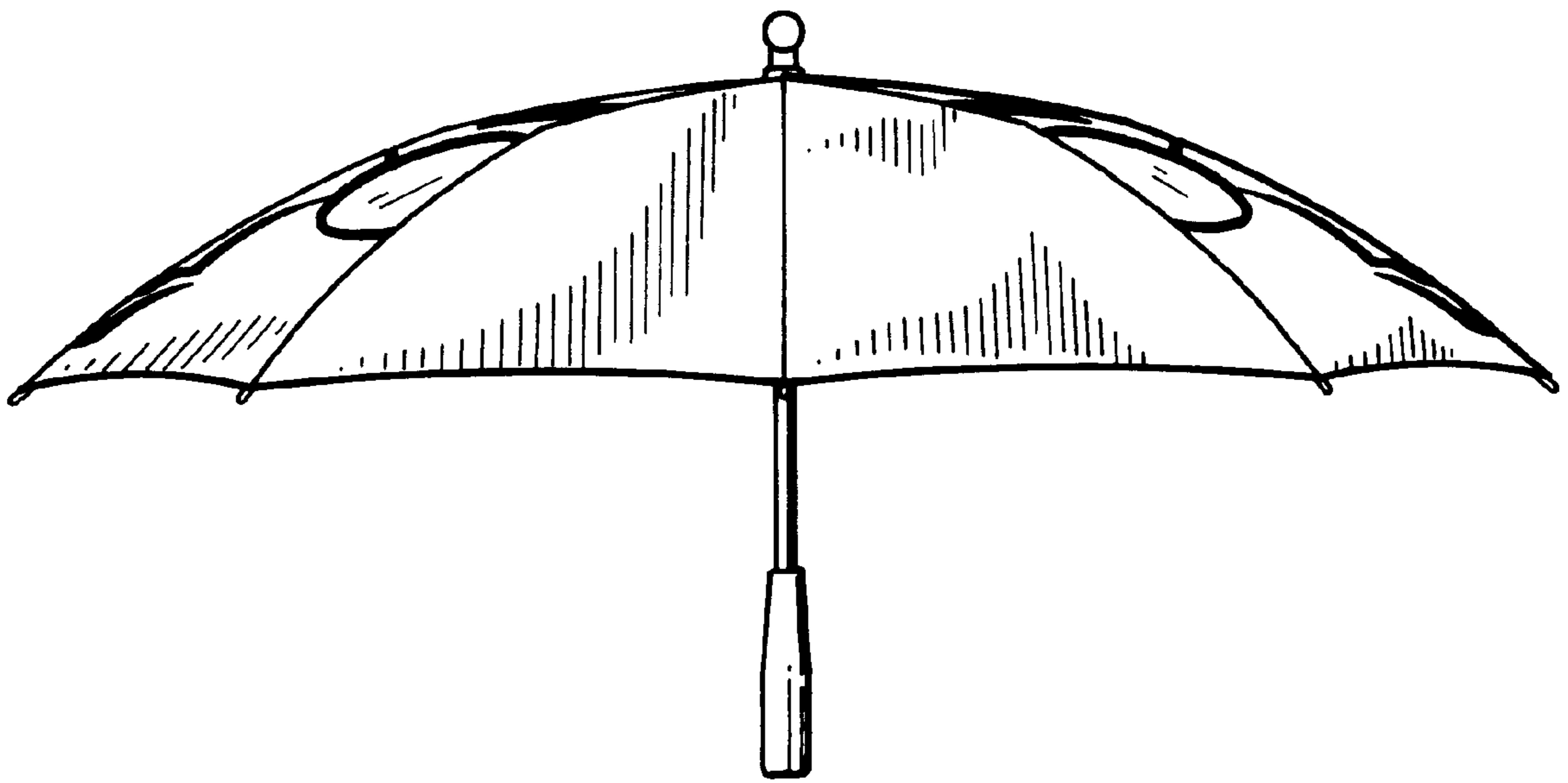


FIG.5

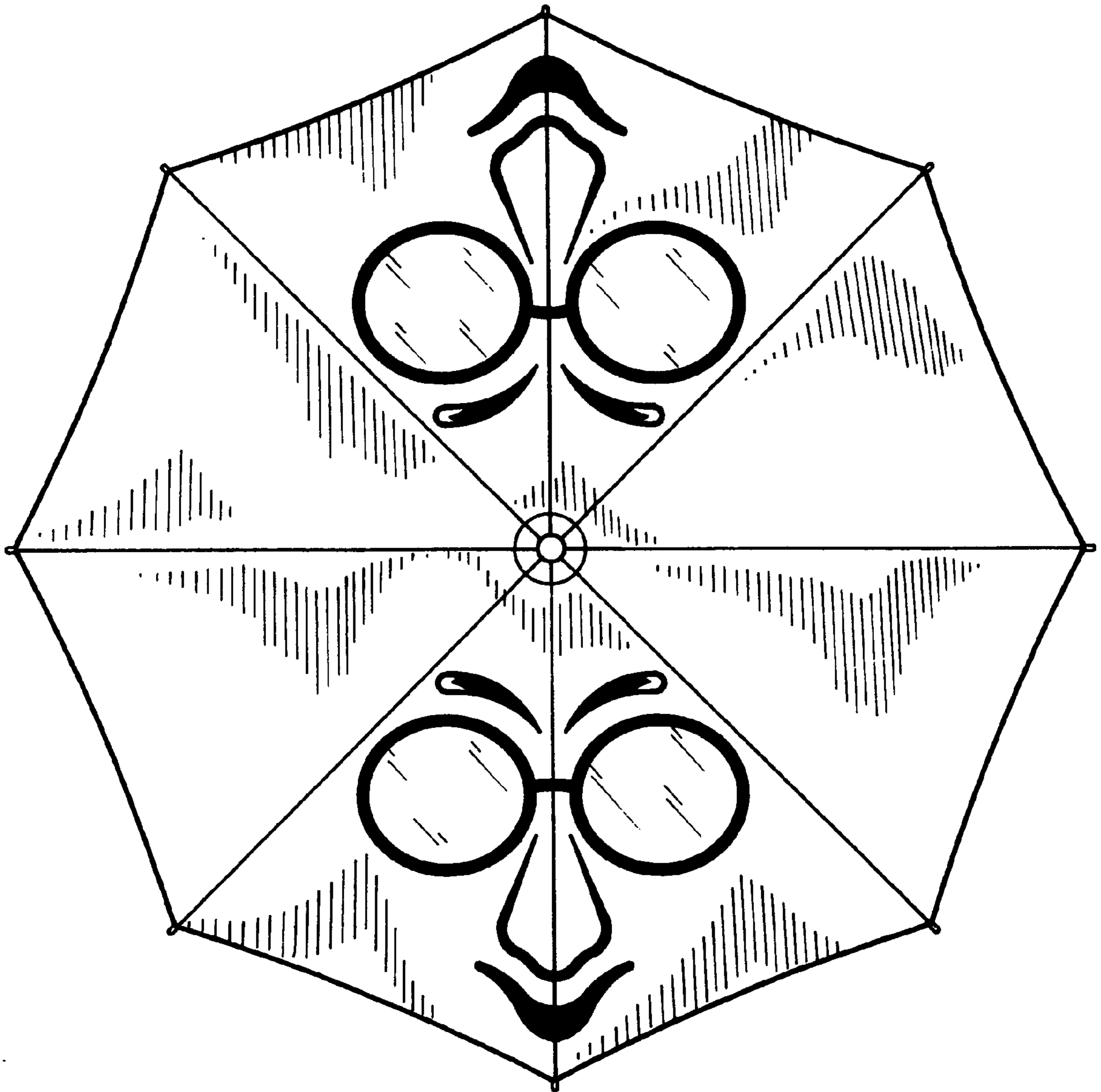


FIG. 6

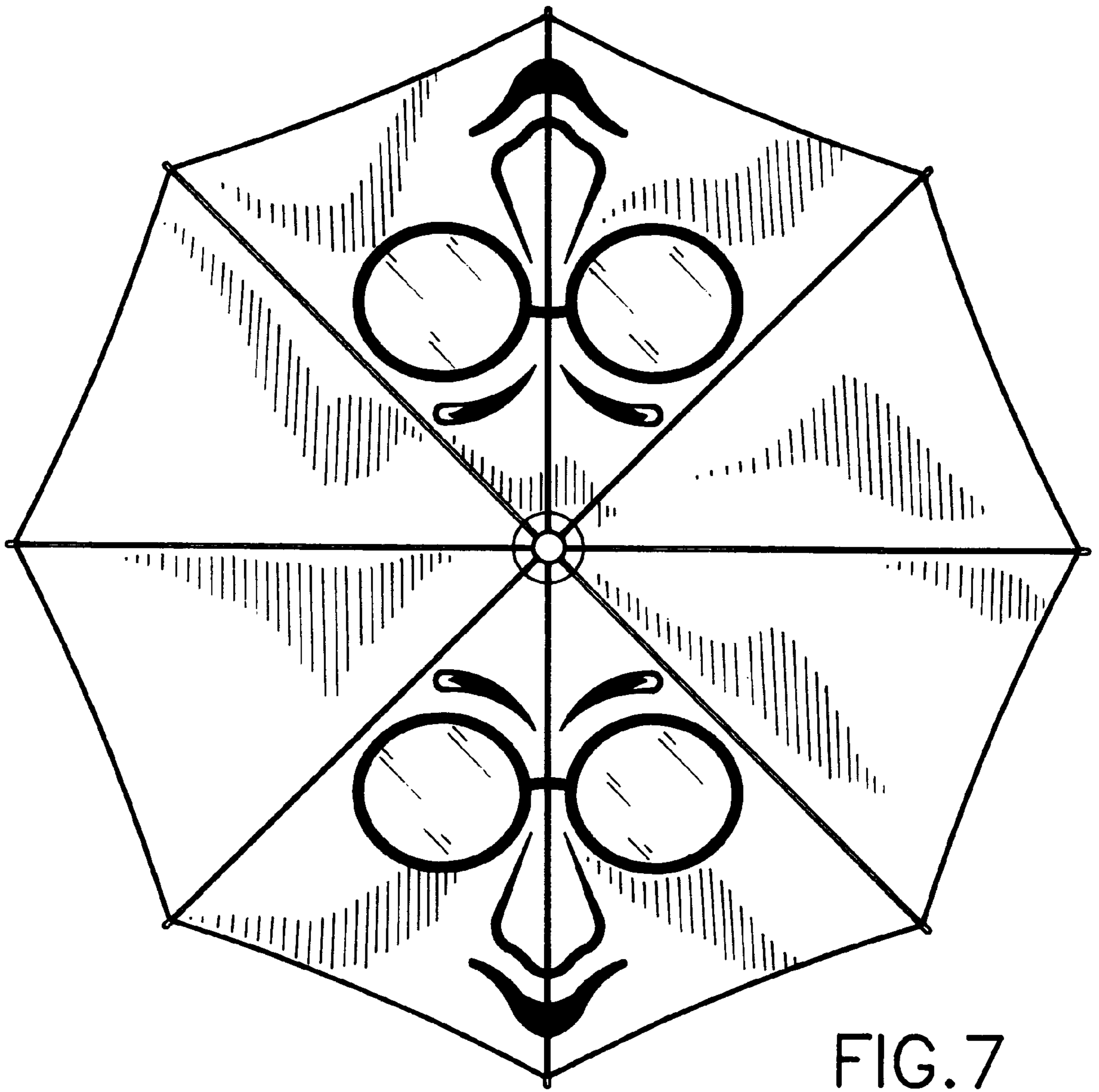


FIG. 7