



US00D411752S

United States Patent [19]

[11] **Patent Number: Des. 411,752**

Davis

[45] **Date of Patent: ** Jun. 29, 1999**

[54] **MAILBOX**

[75] Inventor: **Ron L. Davis**, Hillsboro, Oreg.

[73] Assignee: **Davis Tool Inc.**, Hillsboro, Oreg.

[**] Term: **14 Years**

[21] Appl. No.: **29/095,294**

[22] Filed: **Oct. 20, 1998**

[51] **LOC (6) Cl.** **99-00**

[52] **U.S. Cl.** **D99/29**

[58] **Field of Search** D99/28, 29, 31,
D99/32, 33; 232/17, 19, 20, 34, 40

Advertisement for Mailboxes: "1. Letter Box", Unknown, Apr., 1997, p. 21.

Mailmaster™, Cutler, Jun., 1997, p. 1.

"House Mount Lockable Mailboxes", Easy Up, Jun., 1997, pp. 4, 5, 12.

"Post Mounted Mailboxes", Mailboxguy.com, Oct., 1997, pp. 1, 2.

"Mailboxes by Mail", Mailboxes by Mail, Oct., 1997, p. 1.

Primary Examiner—Paula A. Mortimer

Attorney, Agent, or Firm—Chernoff, Vilhauer, McClung & Stenzel, LLP

[57] **CLAIM**

The ornamental design for a mailbox, as shown and described.

[56] **References Cited**

U.S. PATENT DOCUMENTS

D. 249,970	10/1978	Wetzel	D99/28
D. 254,455	3/1980	Cornwell, Jr. et al.	D99/29
3,401,875	9/1968	Bruhns	232/34
4,413,770	11/1983	Nye	232/17
4,901,913	2/1990	Fischer	232/17
5,082,169	1/1992	Aurness et al.	232/17

OTHER PUBLICATIONS

"Ideal for Mail, Film, Books, Videos, Keys or Documents", Salisbury Industries, Jun., 1997, p. 13.

Advertisement for Mailbox: "Locking Mailboxes Protect Mail When You're Away", Unknown, Jun., 1997, p. 45.

DESCRIPTION

FIG. 1 is a perspective view of a mailbox showing my new design, the broken line showing of the flag and lock is for illustrative purposes only and forms no part of the claimed design;

FIG. 2 Is another perspective view thereof, omitting the unclaimed portions of the design;

FIG. 3 is a top plan view thereof;

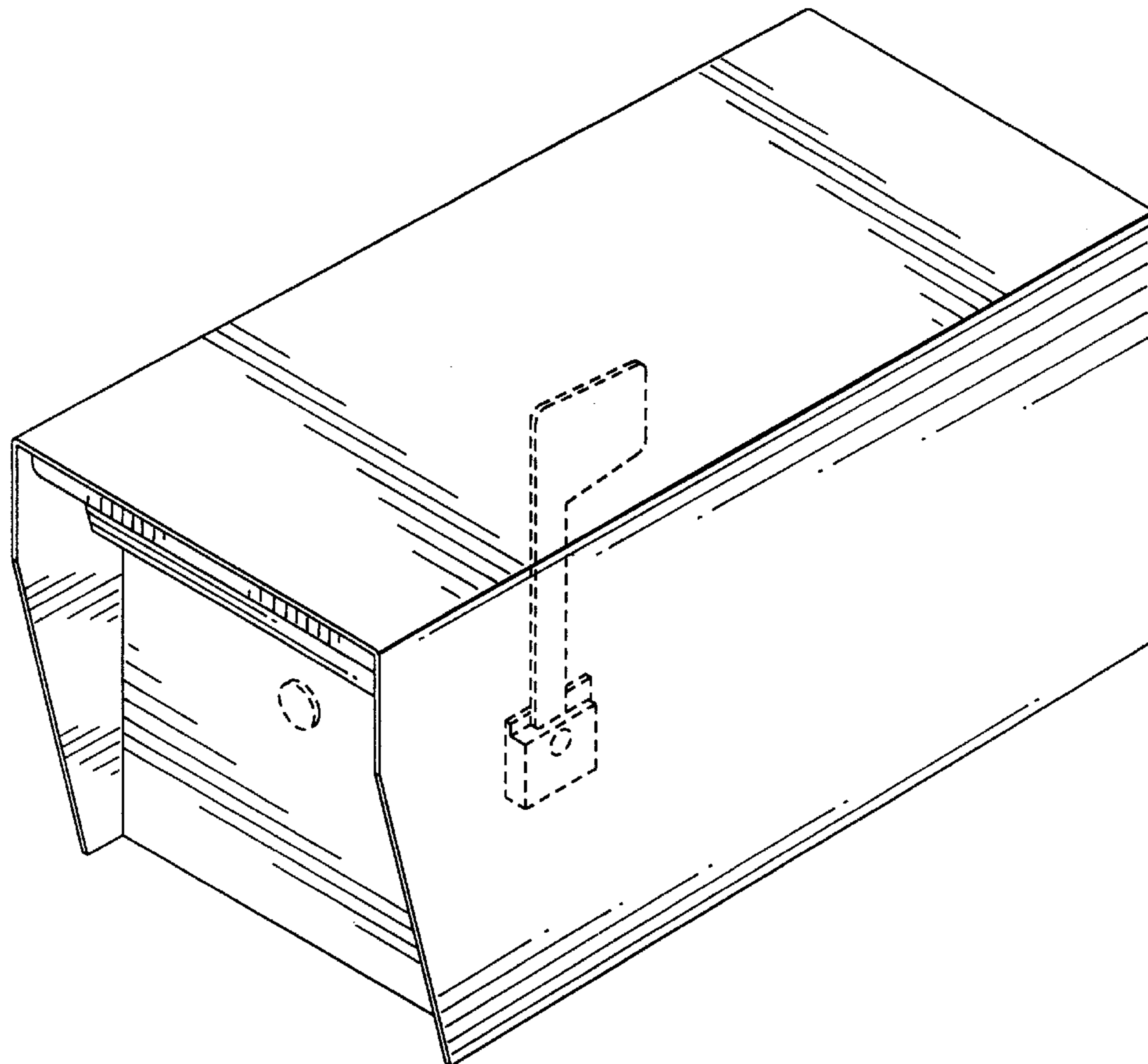
FIG. 4 is a left side elevational view thereof, the right side view being a mirror image thereof;

FIG. 5 is a bottom plan view thereof;

FIG. 6 is a front elevational view thereof; and,

FIG. 7 is a rear elevational view thereof.

1 Claim, 2 Drawing Sheets



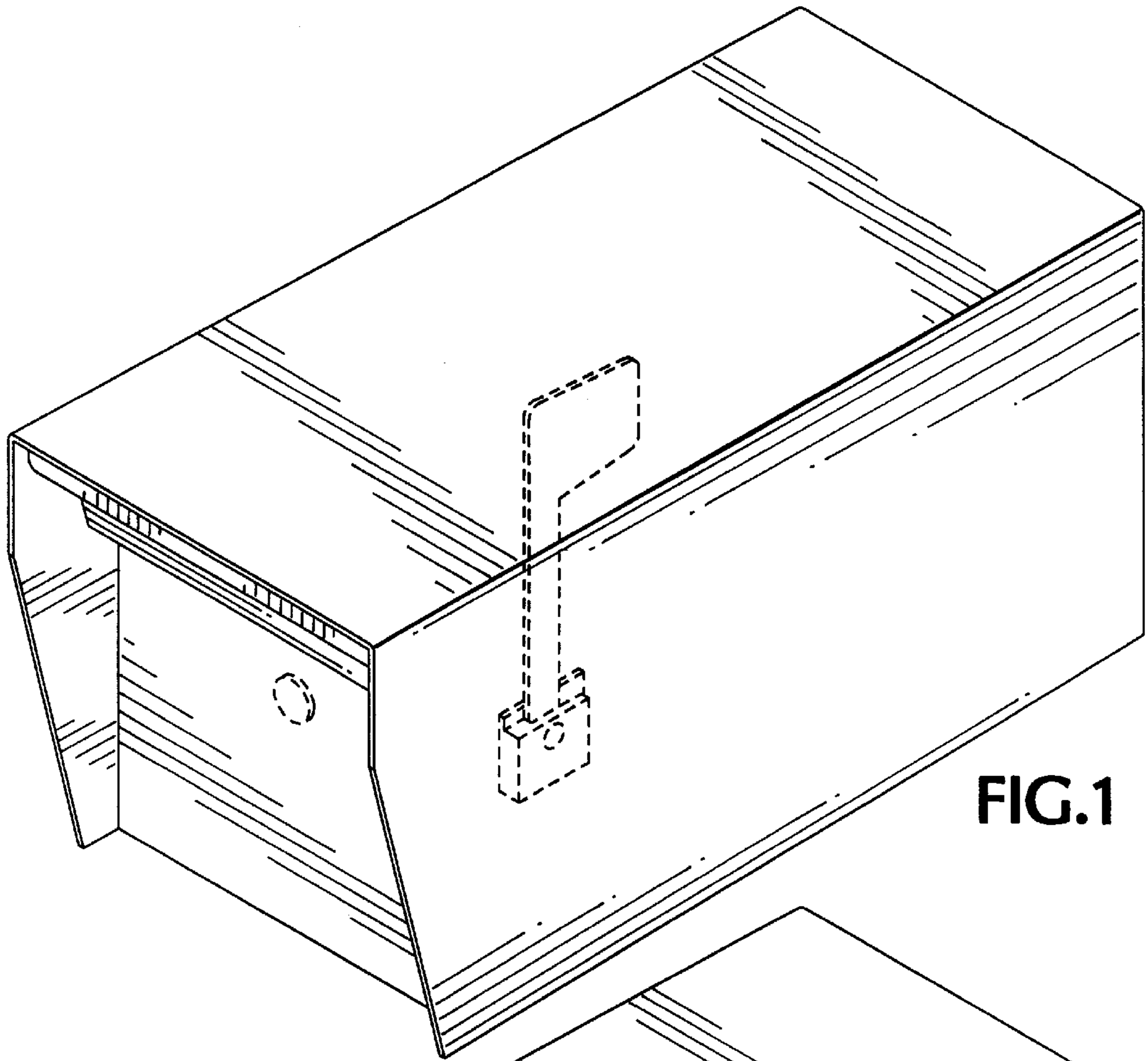


FIG. 1

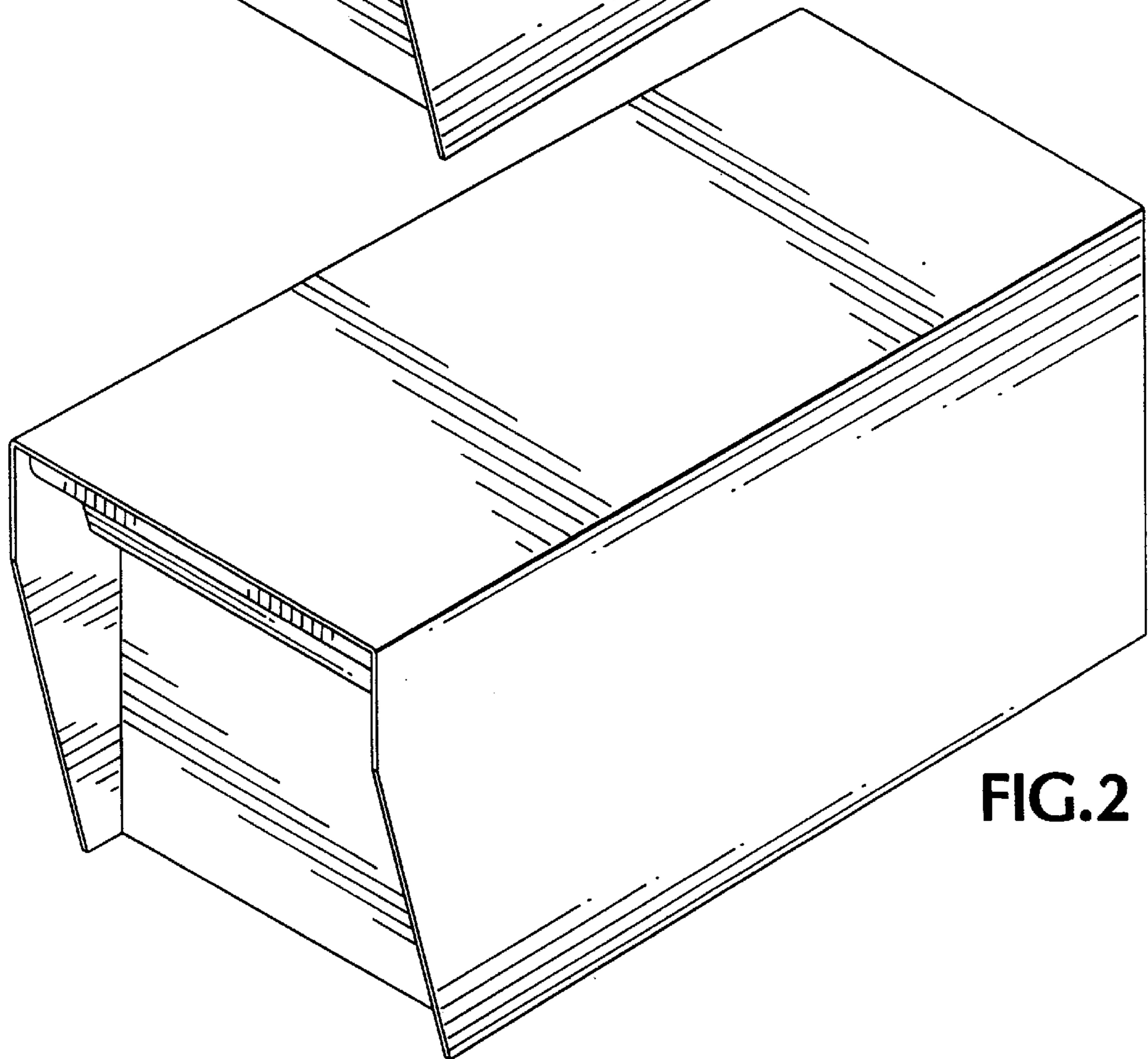


FIG. 2

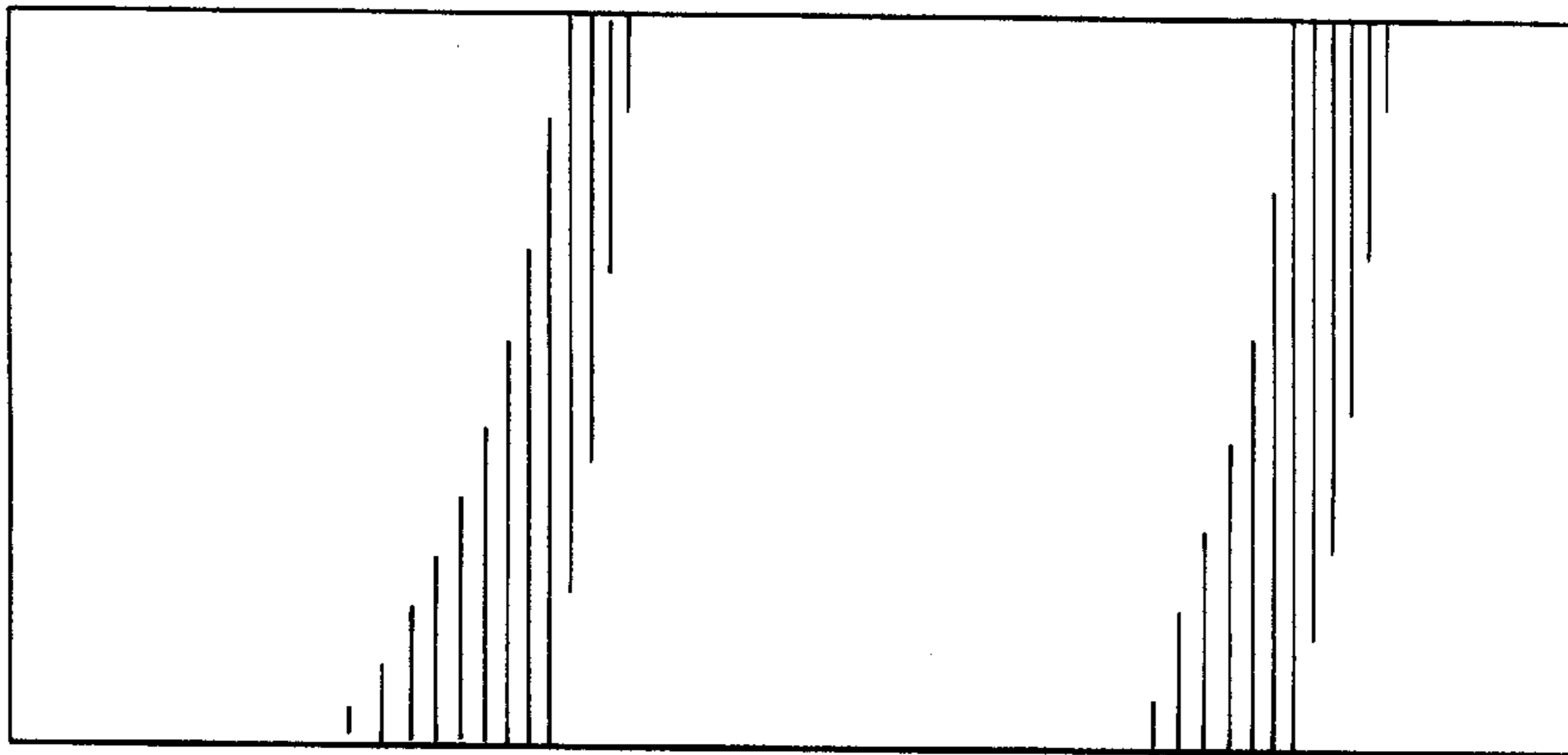


FIG.3

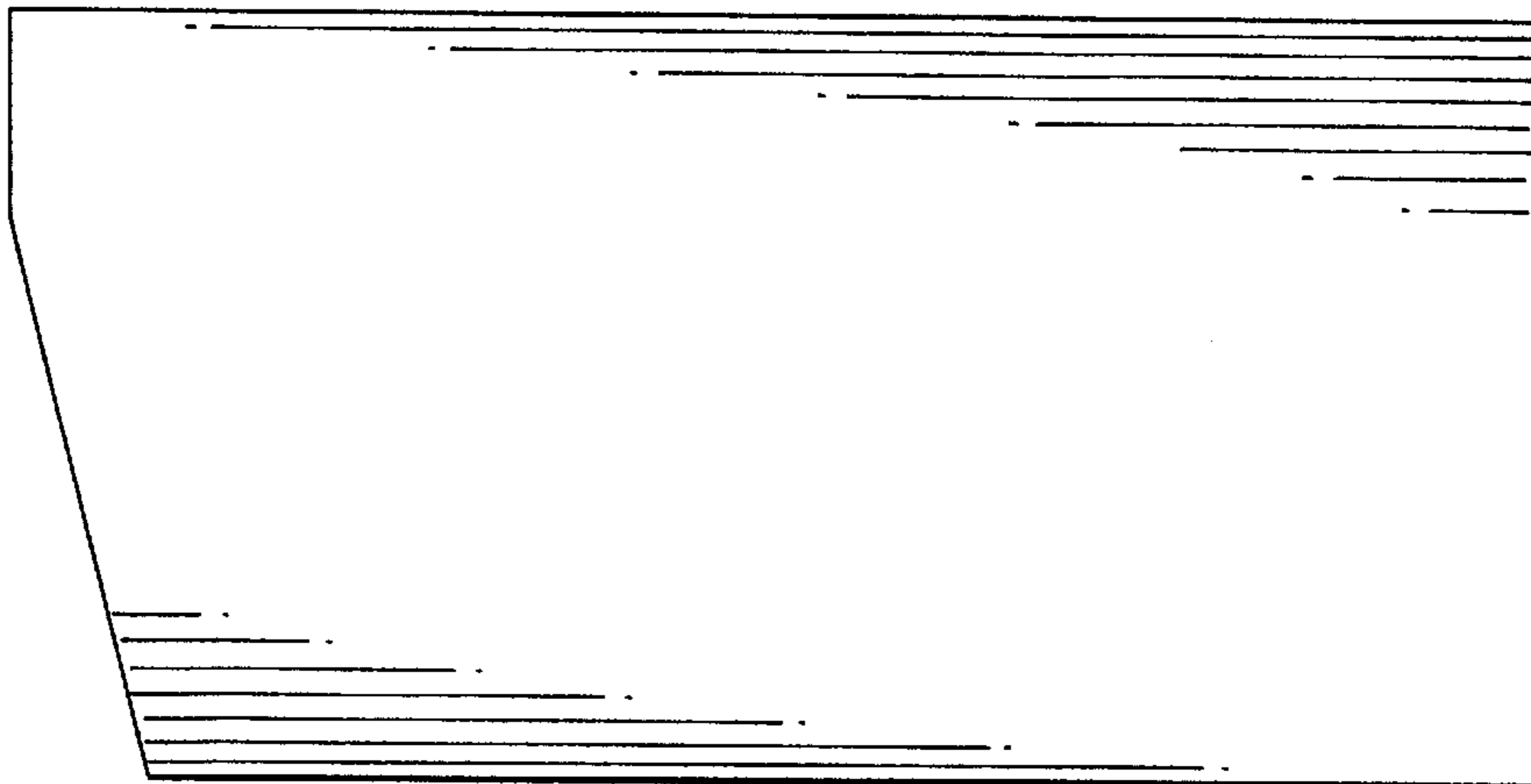


FIG.4

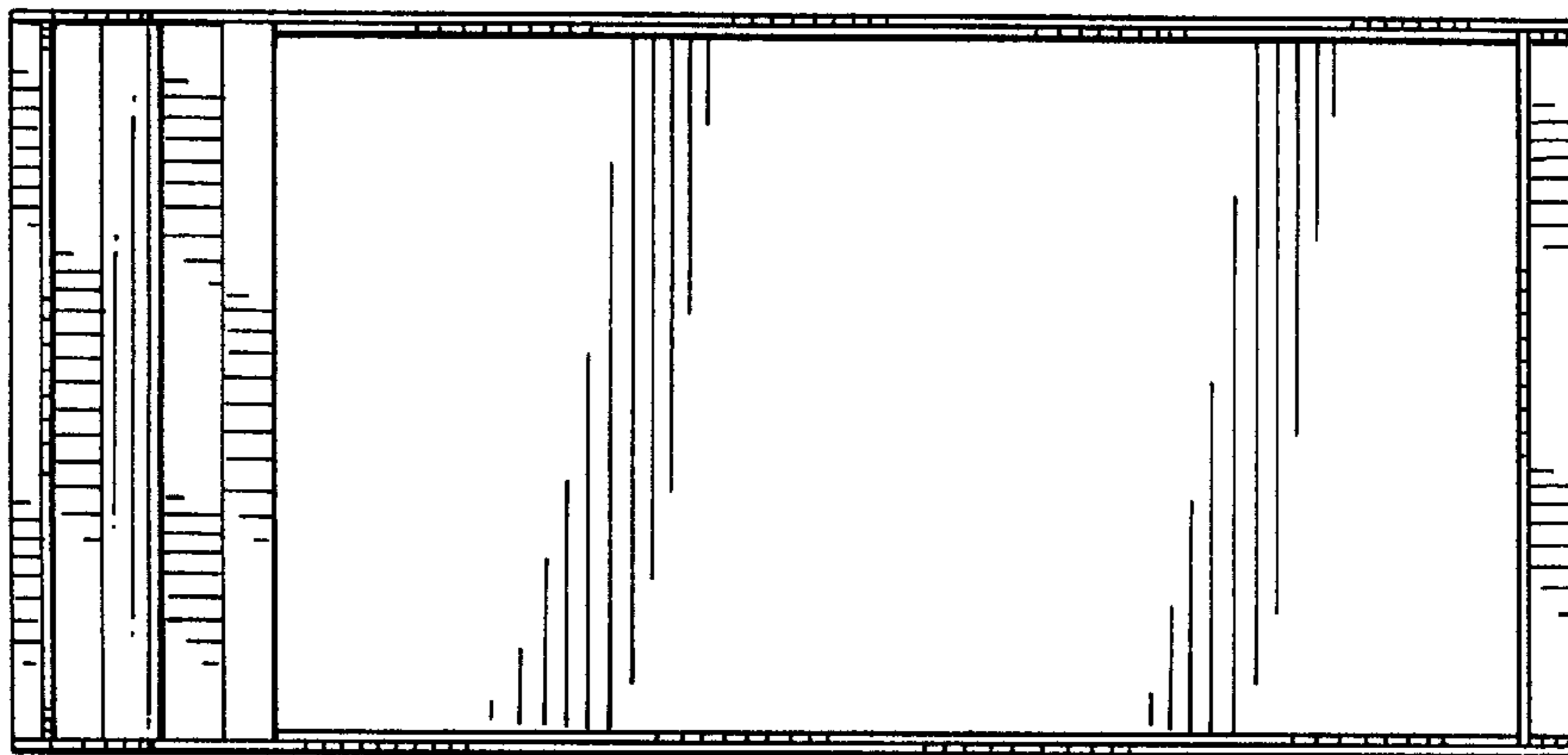


FIG.5

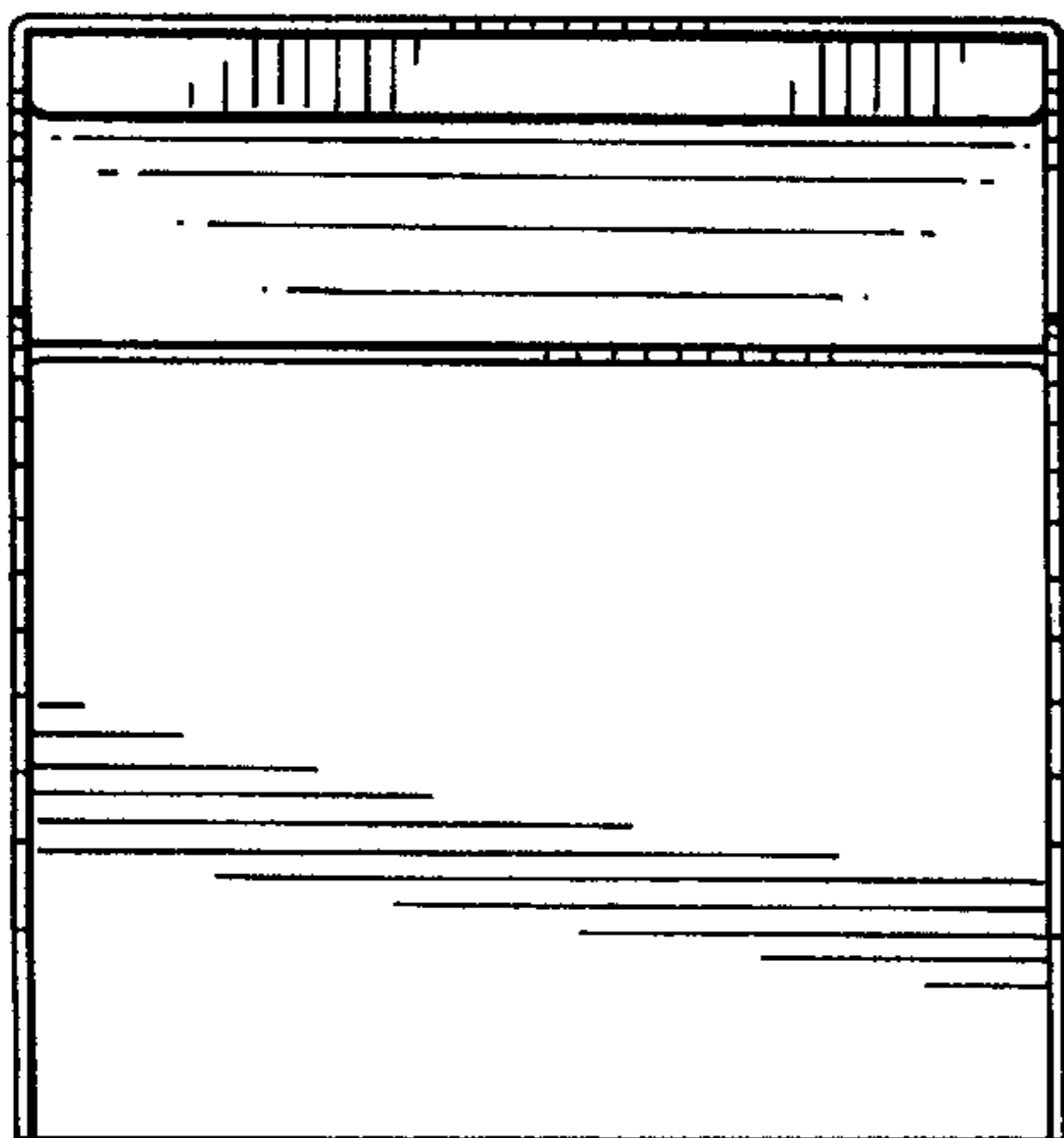


FIG.6

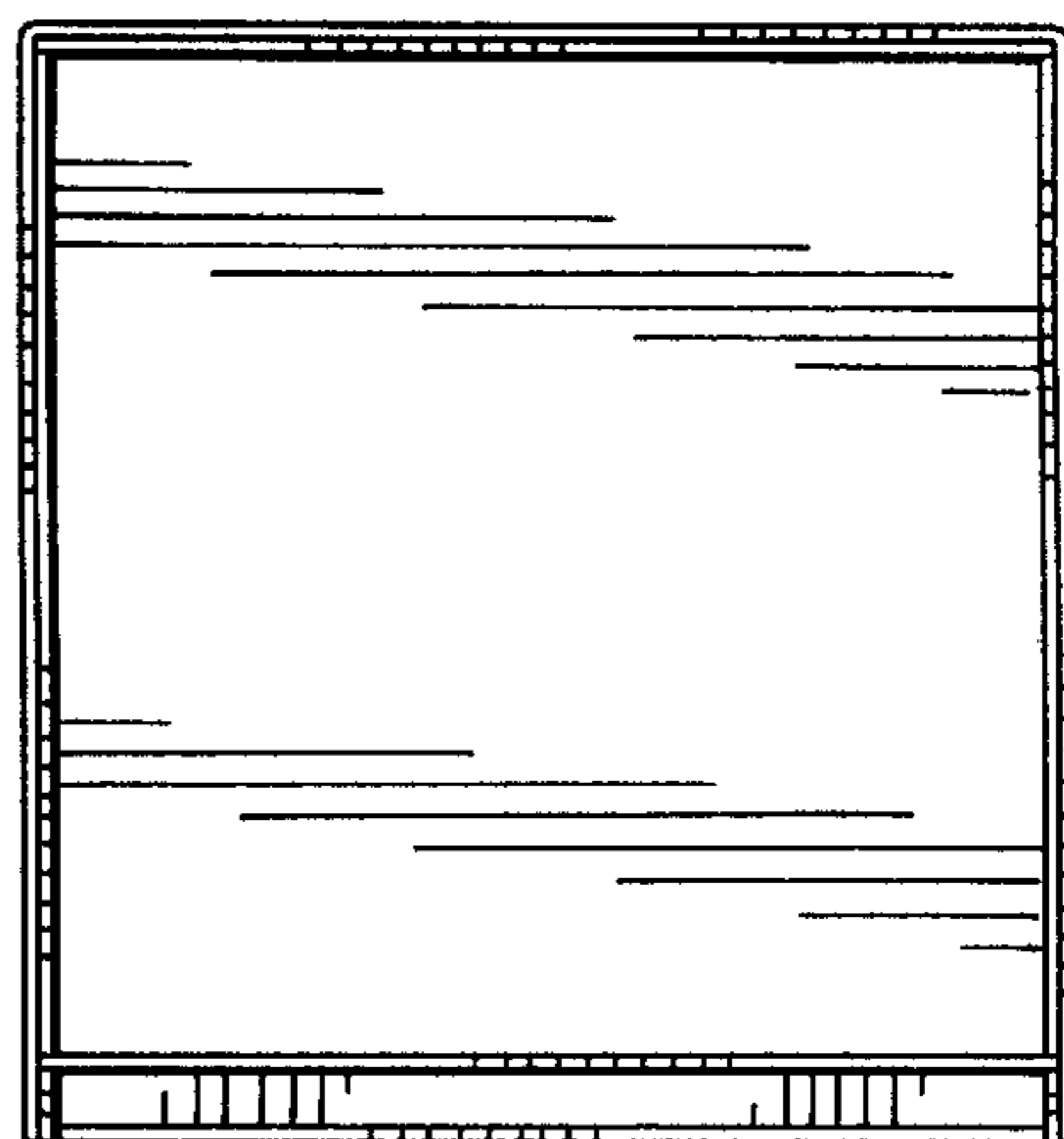


FIG.7