



US00D411747S

United States Patent [19]

Kokenge et al.

[11] Patent Number: Des. 411,747

[45] Date of Patent: ** Jun. 29, 1999

[54] **COMBINED JAR AND COVER**

[75] Inventors: **Emily Kitchings Kokenge**, Cincinnati, Ohio; **Laura Jane Handler**, New York, N.Y.; **John Congleton Coons**, Cincinnati, Ohio; **Francesco Giancesini**, New York, N.Y.

[73] Assignee: **Procter & Gamble Co.**, Cincinnati, Ohio

[**] Term: **14 Years**

[21] Appl. No.: **29/074,723**

[22] Filed: **Aug. 6, 1997**

Related U.S. Application Data

[63] Continuation-in-part of application No. 29/060,719, Oct. 4, 1996, Pat. No. Des. 391,162.

- [51] **LOC (6) Cl.** **09-01**
- [52] **U.S. Cl.** **D9/503; D9/454; D9/504**
- [58] **Field of Search** **D9/504, 500, 503, D9/454, 529; 215/382, 383, 400; D28/82, 91**

[56] References Cited

U.S. PATENT DOCUMENTS

- D. 9,916 4/1877 Raynaud D9/502
- D. 19,417 11/1889 Estes D9/503
- D. 23,850 12/1894 Edgars .
- D. 24,033 2/1895 Edgars .
- D. 26,218 10/1896 Miller .
- D. 26,314 11/1896 Miller .
- D. 26,704 3/1897 Morningstar .
- D. 28,413 3/1898 Taite .
- D. 51,066 7/1917 Hoffman .
- D. 53,303 5/1919 Hoffman .
- D. 57,488 4/1921 Vivaudou .
- D. 62,098 3/1923 Brill .
- D. 84,767 7/1931 Tassie .
- D. 86,425 3/1932 Weil .
- D. 97,831 12/1935 Avedon .
- D. 110,566 7/1938 Emerit .
- D. 114,460 4/1939 Platt .
- D. 130,433 11/1941 Lewis .

- D. 163,390 5/1951 Hofmann D86/10
- D. 206,028 10/1966 Bartlett D58/25
- D. 216,552 2/1970 Curry D9/504
- D. 232,916 9/1974 Bettonica D9/164
- D. 256,778 9/1980 Stahel, II D9/216
- D. 272,804 2/1984 Braun D9/353
- D. 275,733 10/1984 Pardo D9/352
- D. 281,764 12/1985 Legrottaglie D9/352
- D. 282,630 2/1986 Braun D9/353
- D. 303,584 9/1989 Bakic D28/91
- D. 306,826 3/1990 Bormioli D9/352
- D. 348,395 7/1994 Bertolini D9/529
- D. 350,837 9/1994 Kirby D28/82
- D. 373,084 8/1996 Choi D9/504
- D. 388,549 12/1997 Mouyiaris et al. D28/82
- D. 391,162 2/1998 Kokenge D9/504
- D. 396,329 7/1998 Litton D9/504
- D. 398,079 9/1998 Denison D28/82
- 1,735,154 11/1929 Brodrick .
- 1,860,550 5/1932 Pfeiffer .
- 2,076,549 4/1937 Conner .

OTHER PUBLICATIONS

Virgin Vie Limited, City Fields, Tangmere, Chichester, P020 6FP Virgin Vie Catalogue: p. 7, Item No. 3, "Face Defense™ Day Cream SPF15" 50ml p. 28, Item No. 1, "Peace Concentrated Bath Oil" 125ml p. 29, Item No. 1, "Energy Body Gel" 125ml.

Beauty Fashion, Oct. 1967, p. 70, "L'Oreal" jar.

Beauty Fashion, May 1984, p. 71, "Charles of the Ritz" jar.

Primary Examiner—Lucy Lieberman

Attorney, Agent, or Firm—Jack L. Oney, Jr.

[57] CLAIM

The ornamental design for a combined jar and cover, as shown and described.

DESCRIPTION

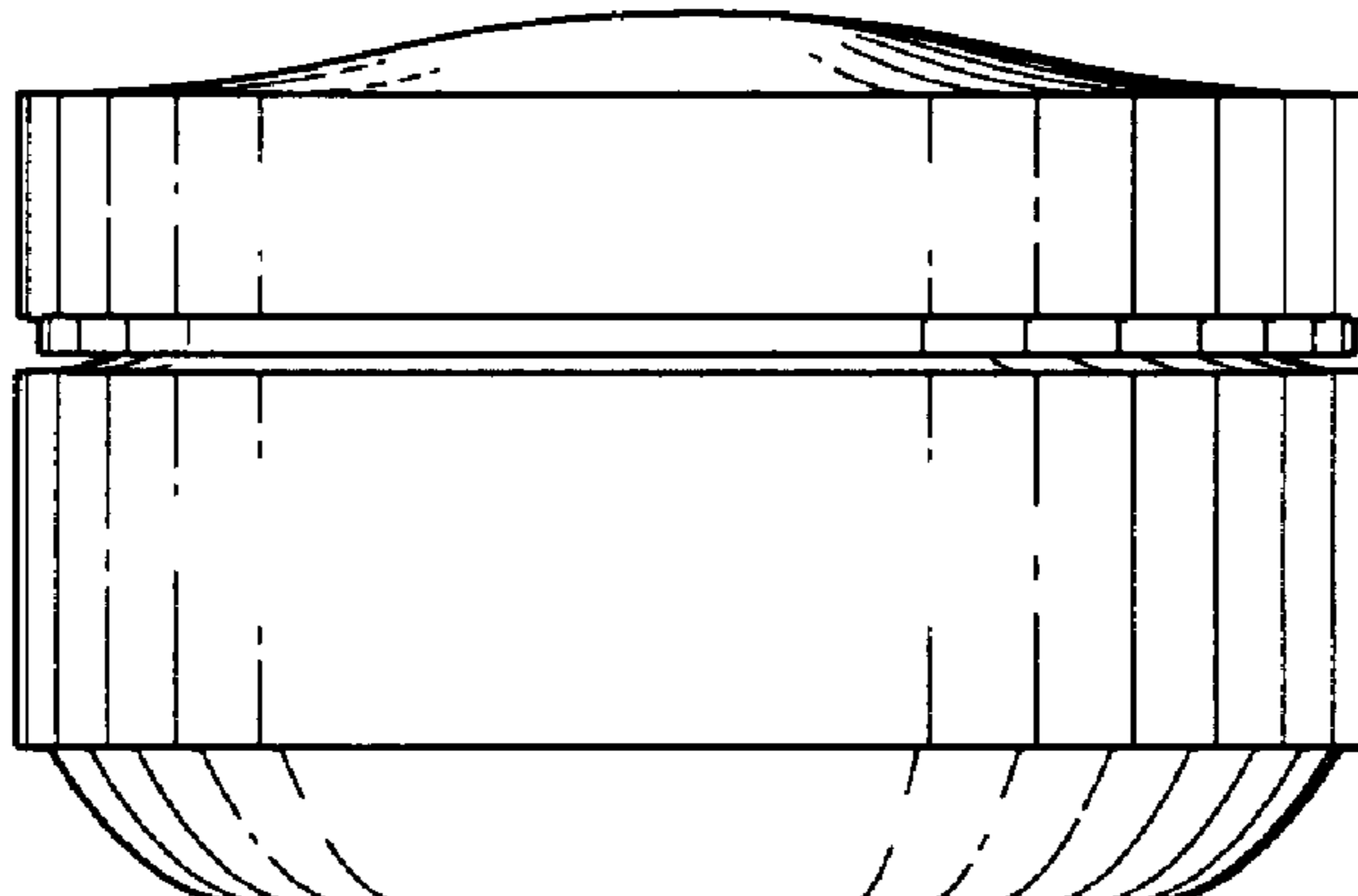
FIG. 1 is a perspective view of a combined jar and cover, embodying our new design;

FIG. 2 is a top view thereof;

FIG. 3 is a front elevation thereof, the rear and side elevations are the same; and,

FIG. 4 is a bottom view thereof.

1 Claim, 1 Drawing Sheet



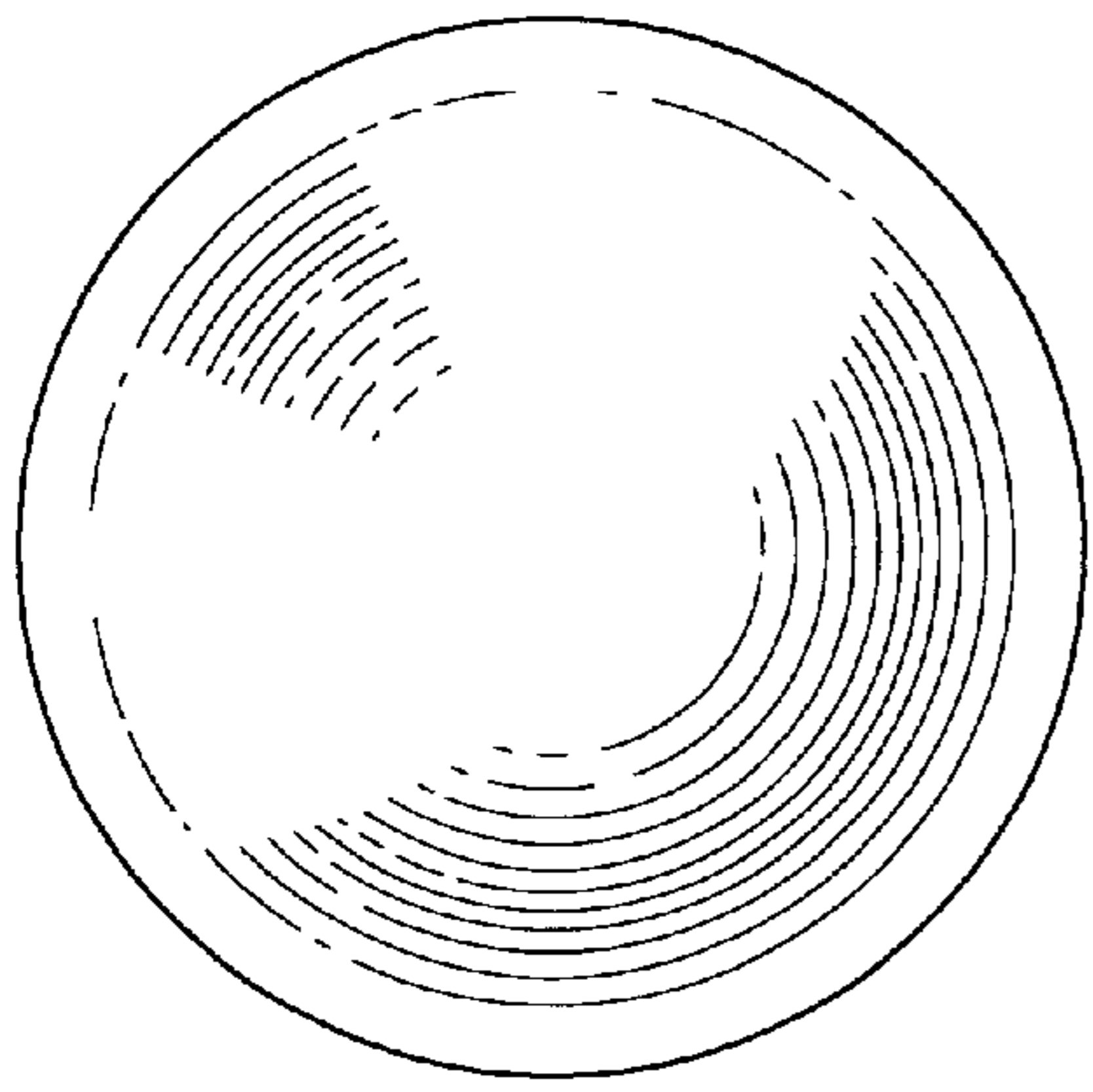


Fig. 2

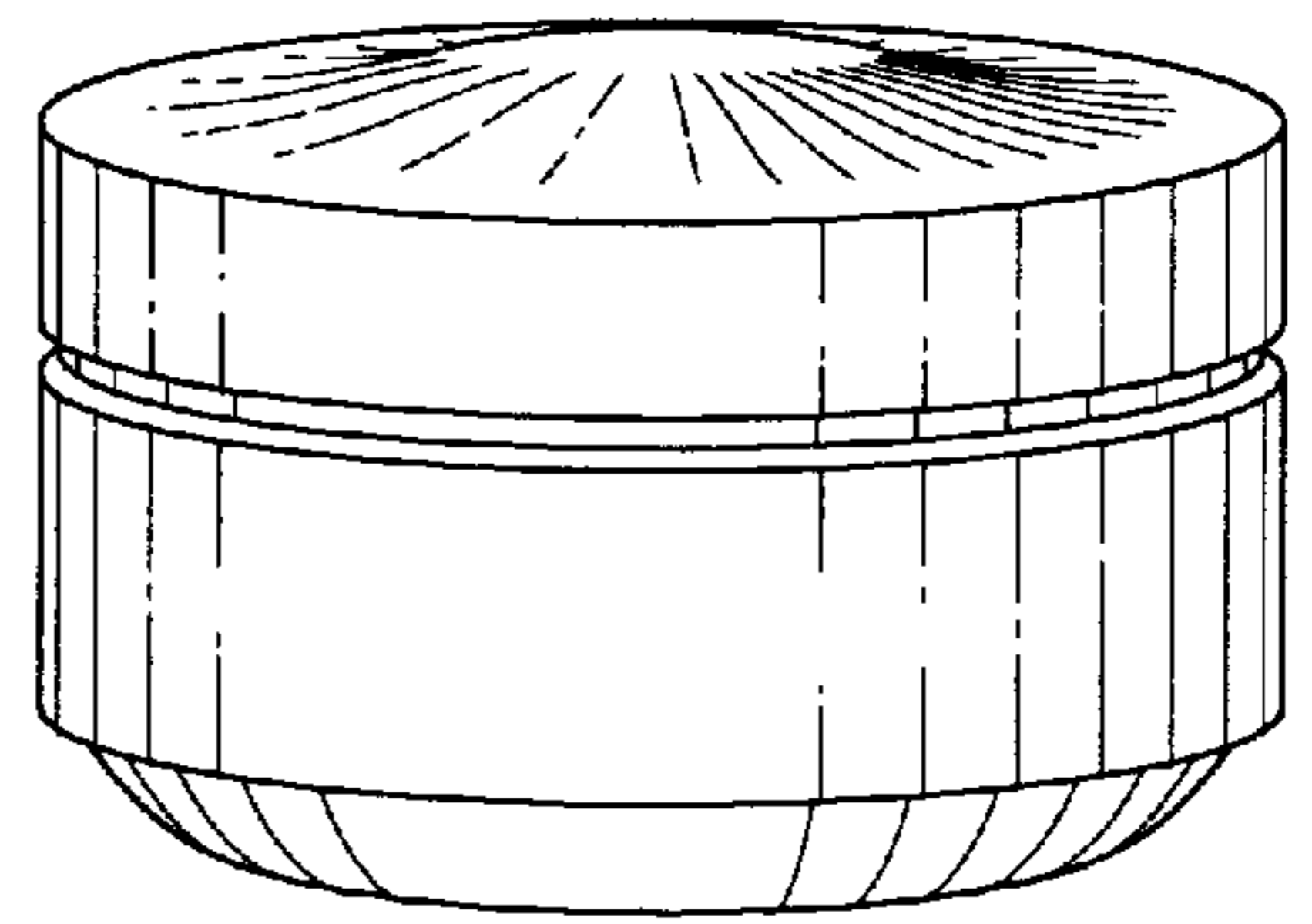


Fig. 1

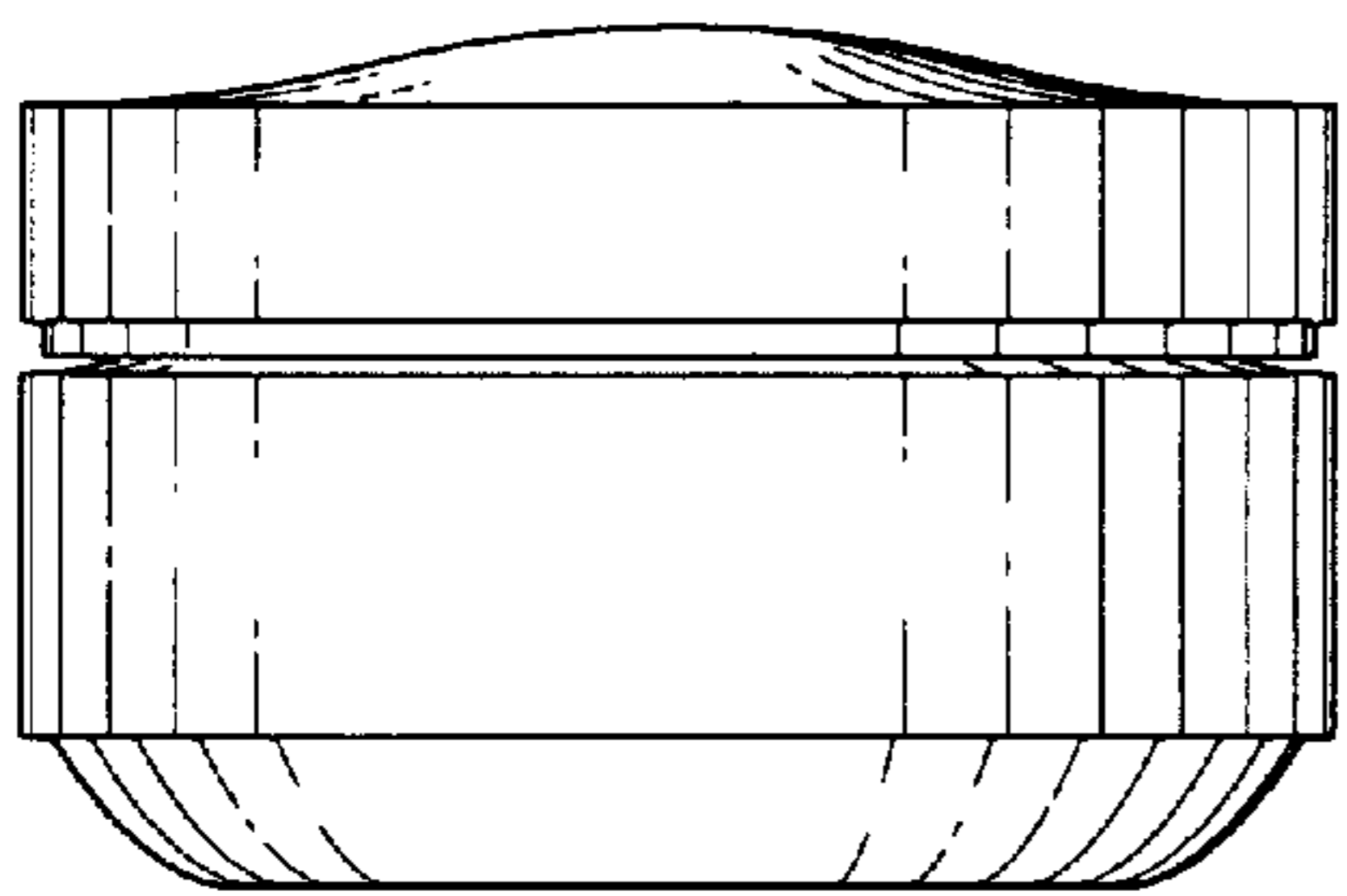


Fig. 3

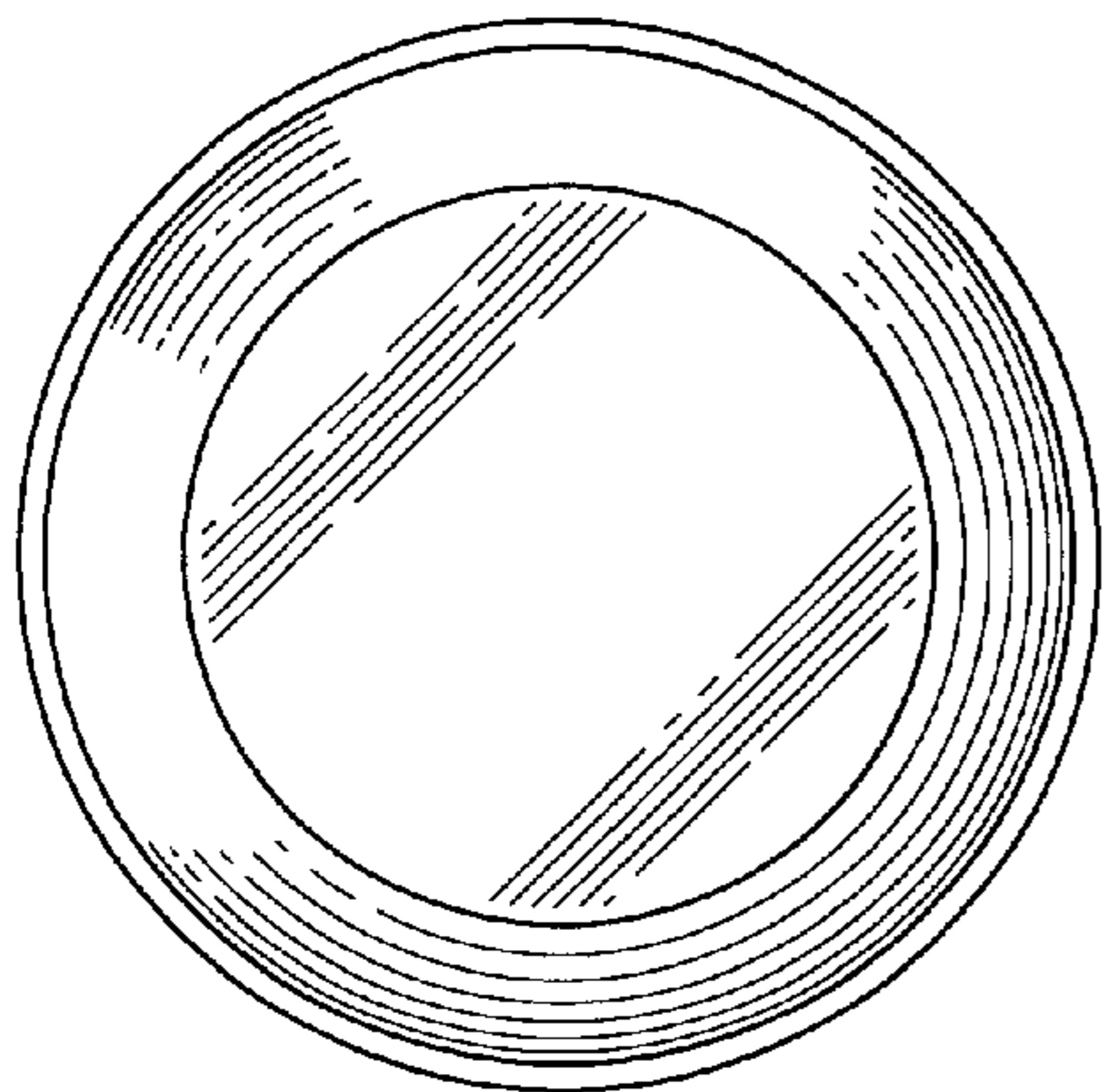


Fig. 4