



US00D411746S

# United States Patent [19] Arima

[11] **Patent Number: Des. 411,746**  
[45] **Date of Patent: \*\* Jun. 29, 1999**

[54] **PROTECTION DEVICE FOR PACKAGING**

5,024,328 6/1991 Bontrager ..... 206/453  
5,636,744 6/1997 Hirose ..... 206/586

[75] Inventor: **Seibi Arima**, Musashino, Japan

[73] Assignee: **Teac Corporation**, Tokyo, Japan

[\*\*] Term: **14 Years**

*Primary Examiner*—Doris V. Coles  
*Assistant Examiner*—Cathron B. Matta  
*Attorney, Agent, or Firm*—Ladas & Parry

[21] Appl. No.: **29/096,837**

[22] Filed: **Nov. 20, 1998**

[57] **CLAIM**

The ornamental design for a protection device for packaging, as shown and described.

**Related U.S. Application Data**

**DESCRIPTION**

[62] Division of application No. 29/084,302, Feb. 27, 1998, Pat. No. Des. 407,019.

FIG. 1 is a perspective view of a protection device for packaging showing the embodiment of my new design; FIG. 2 is a front view of FIG. 1, the rear view being a mirror image of the front view;

[30] **Foreign Application Priority Data**

Sep. 4, 1997 [JP] Japan ..... 9-66783  
Sep. 4, 1997 [JP] Japan ..... 9-66784

FIG. 3 is a top view of FIG. 1, the bottom view being an inverted image of the top view;

[51] **LOC (6) Cl.** ..... **09-07**

[52] **U.S. Cl.** ..... **D9/456**

FIG. 4 is a left side view of FIG. 1, the right side view being a mirror image of the left side;

[58] **Field of Search** ..... D9/434, 456, 499;  
D8/403; 206/453, 454, 523, 586, 588, 591,  
592, 814

FIG. 5 is a perspective view of FIG. 1 in a state that the folding device is spread out; and,

FIG. 6 is a perspective view of FIG. 1 shown in its use, the broken line portion is for illustration only and forms no part of the claim.

[56] **References Cited**

**U.S. PATENT DOCUMENTS**

4,869,369 9/1989 Turngren ..... 206/523

**1 Claim, 3 Drawing Sheets**

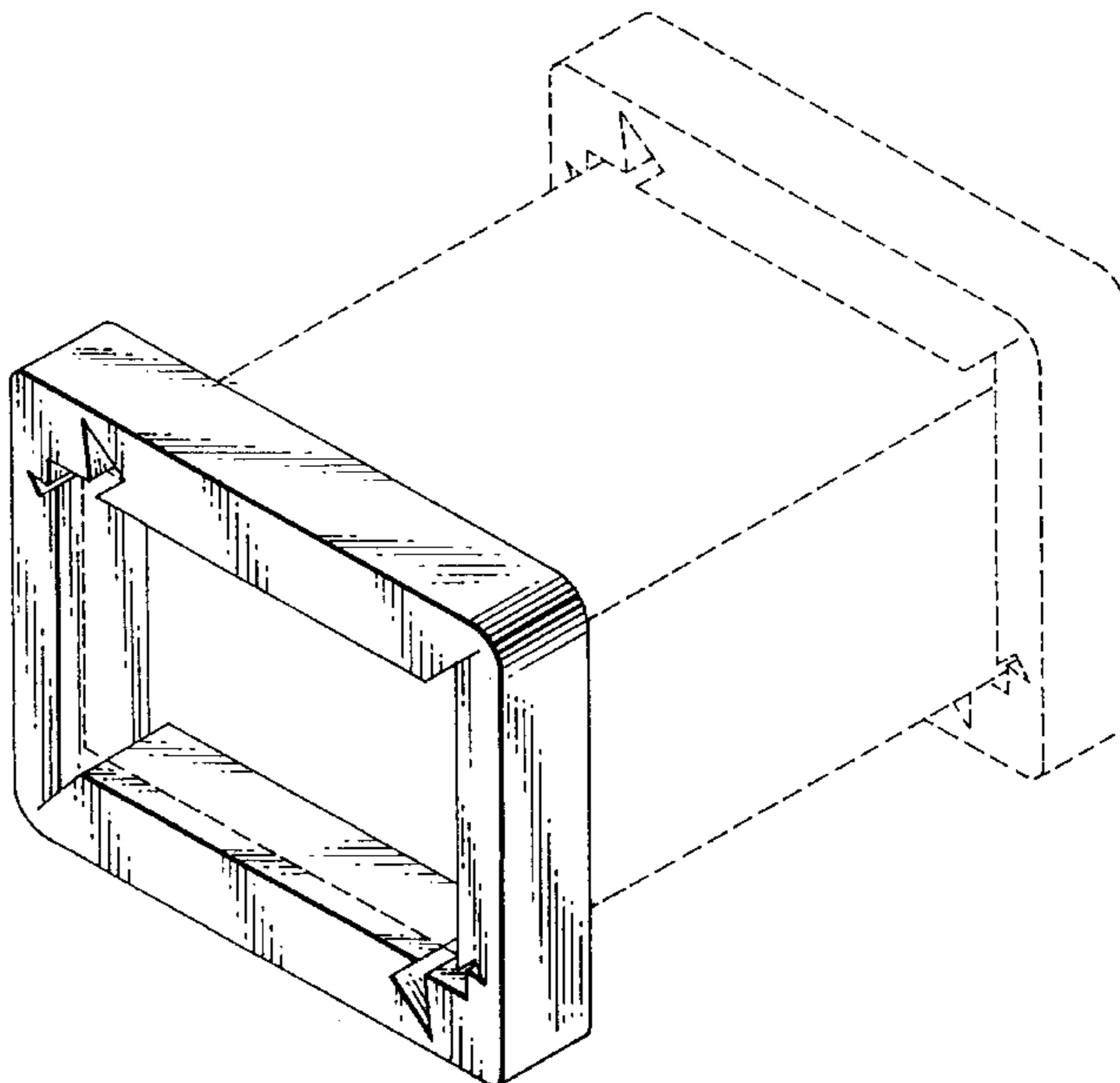
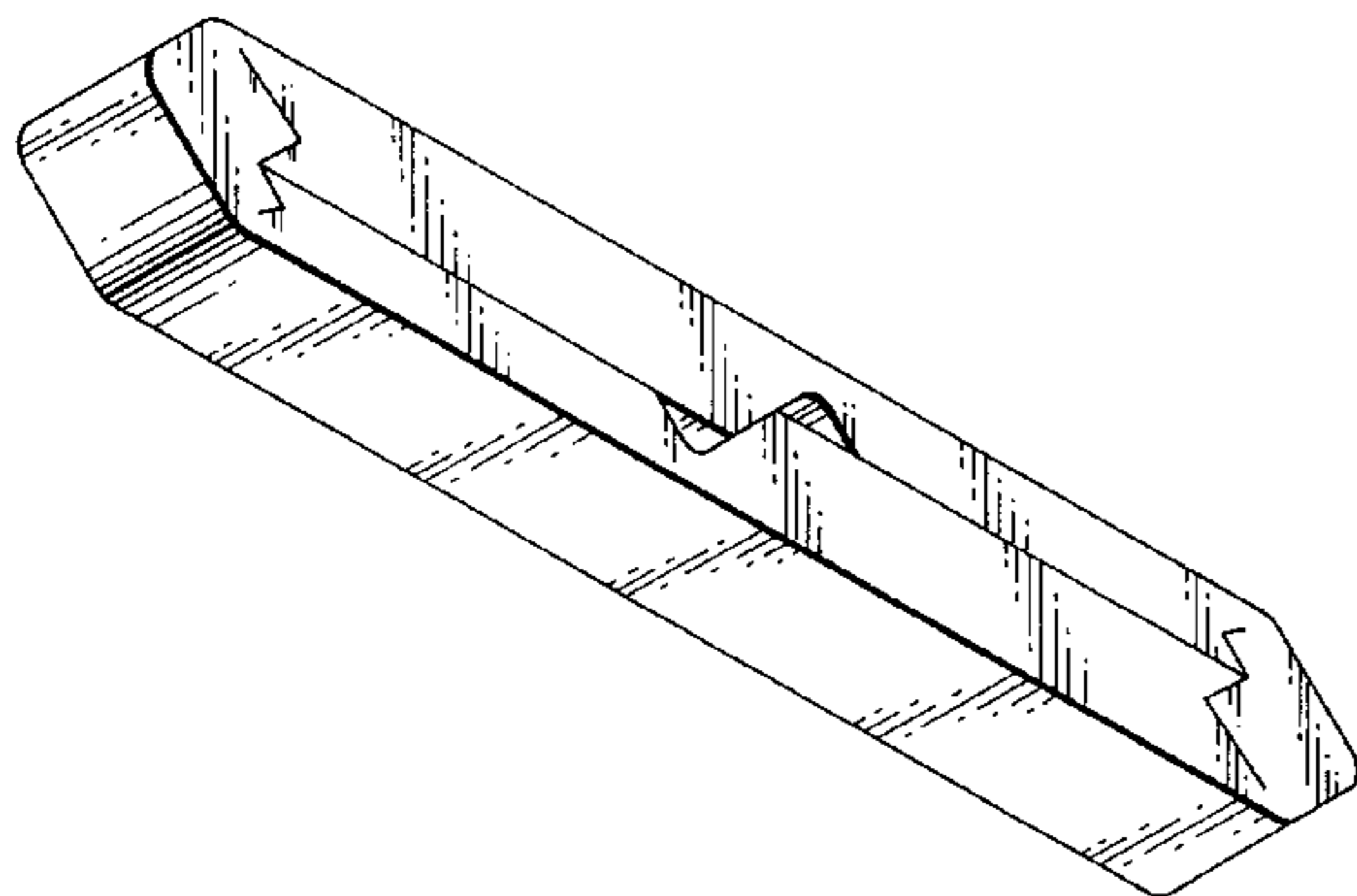


FIG. 1

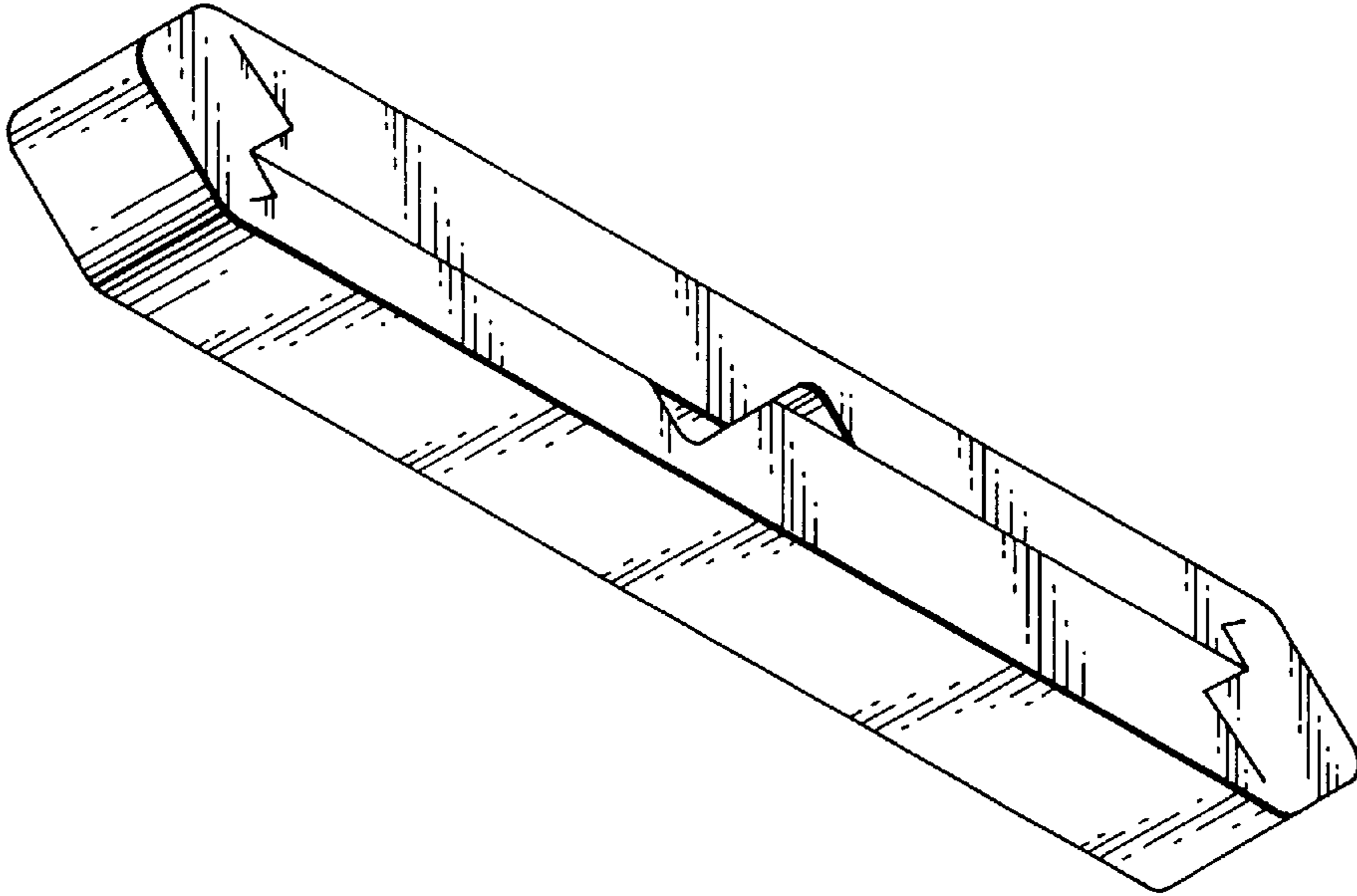


FIG. 2

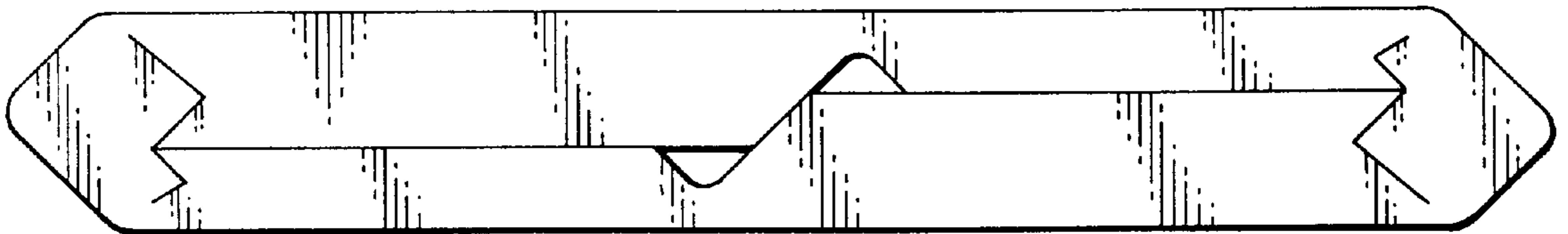
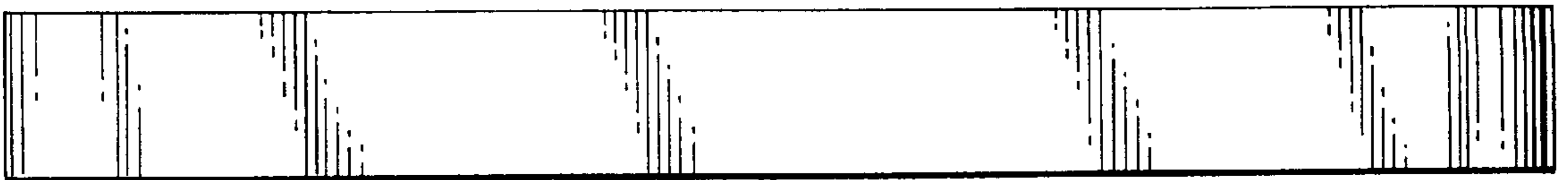
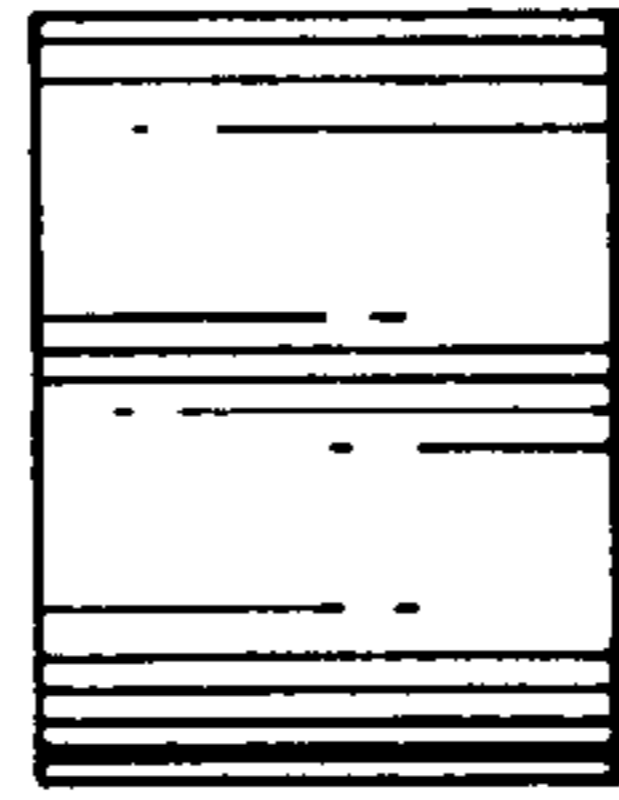


FIG. 3



**FIG. 4**



**FIG. 5**

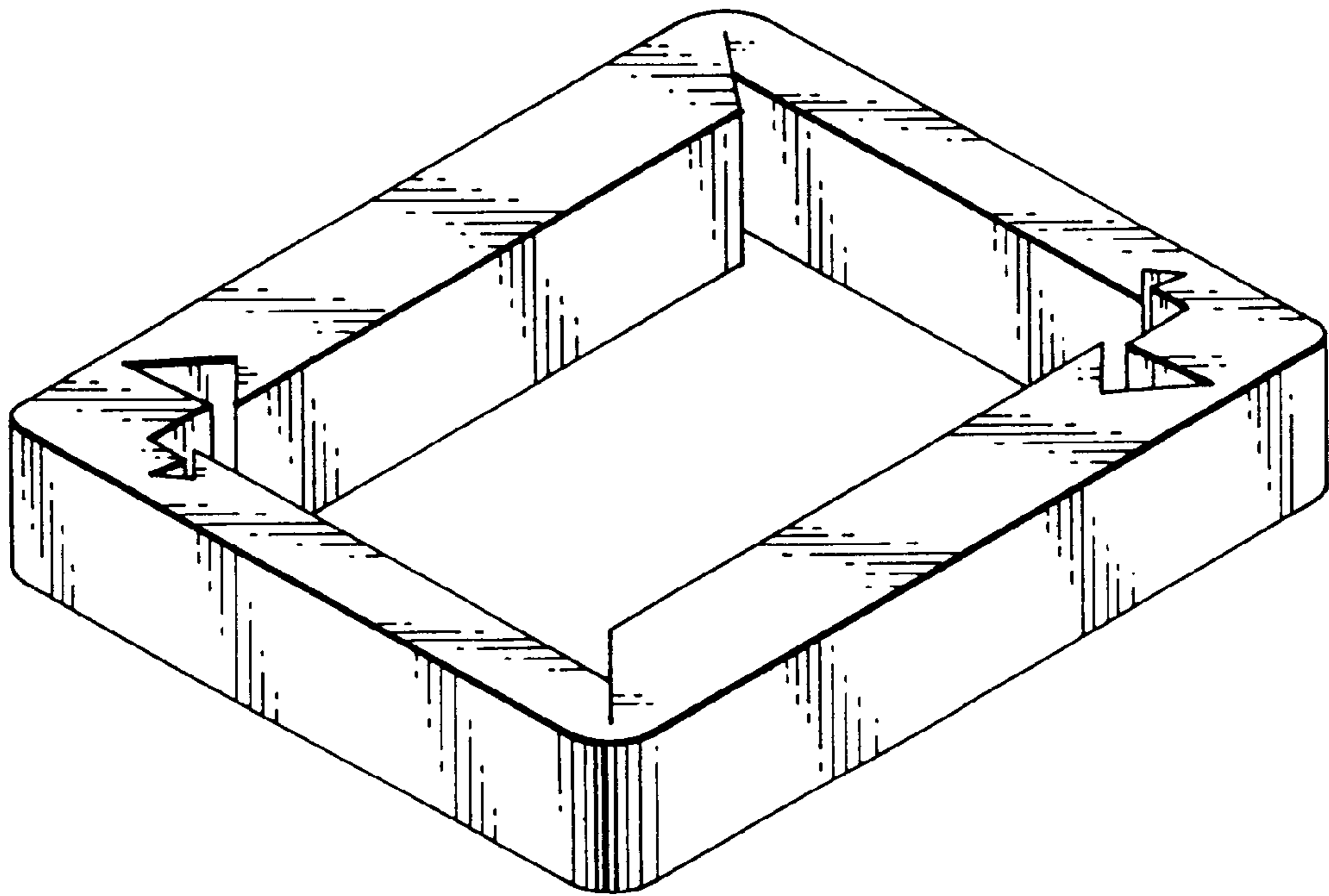


FIG. 6

