



US00D411745S

United States Patent [19]

[11] Patent Number: Des. 411,745

Mohary et al.

[45] Date of Patent: ** Jun. 29, 1999

[54] ANGLED CAP

[75] Inventors: **Stephen J. Mohary**, Pennington, N.J.;
Craig M. Saunders, Rocky River;
Jesse P. Carlson, Cleveland, both of
Ohio

[73] Assignee: **Johnson & Johnson Consumer
Products, Inc.**, Skillman, N.J.

[**] Term: **14 Years**

[21] Appl. No.: **29/076,362**

[22] Filed: **Sep. 9, 1997**

[51] **LOC (6) Cl.** **09-07**

[52] **U.S. Cl.** **D9/449**

[58] **Field of Search** D9/300, 435, 447,
D9/448, 449, 454, 515; D7/300, 590, 629;
215/235, 236, 237; 220/334-339; 222/544,
556, 557, 562, 566, 567

86002	12/1981	Australia .
87445	9/1982	Australia .
S-106458	of 1990	Australia .
591888	of 0000	Japan .
610725	of 1983	Japan .
610726	of 1983	Japan .
615188	of 1984	Japan .
616708	of 1984	Japan .
626648	of 1984	Japan .
637143	of 1984	Japan .
677274	of 1986	Japan .
689850	of 1986	Japan .
706448	of 1987	Japan .
761172	of 1989	Japan .
768352	of 1989	Japan .
775515	of 1989	Japan .
833209	of 1989	Japan .
797469	of 1990	Japan .
902047	of 1994	Japan .
1046518	10/1966	United Kingdom .
2 098 958	12/1982	United Kingdom .

OTHER PUBLICATIONS

Modern Plastics (Mid-October issue, 1990) vol. 67, No. 11,
pp. 306-307.
The Wiley Encyclopedia of Packaging Technology, pp.
54-65 and pp. 172-185 (1986).

Primary Examiner—James Gandy
Assistant Examiner—Cathron B. Matta
Attorney, Agent, or Firm—Michele G. Mangini

[56] References Cited

U.S. PATENT DOCUMENTS

D. 48,813	4/1916	Dawson .	
D. 86,629	3/1932	Nitardy .	
D. 91,653	3/1934	Guyer .	
D. 91,691	3/1934	Steuer .	
D. 113,422	2/1939	Hiolle .	
D. 149,950	6/1948	Klebanoff .	
D. 158,071	4/1950	Guerlain .	
D. 161,698	1/1951	Lorenzen .	
D. 175,306	8/1955	Hennessy .	
D. 181,056	9/1957	Jenkins .	
D. 189,374	11/1960	Harris .	
D. 189,460	12/1960	Richter .	
D. 194,245	12/1962	Yoshizumi .	
D. 195,787	7/1963	Thompson D9/515
D. 204,707	5/1966	Abbott .	

(List continued on next page.)

FOREIGN PATENT DOCUMENTS

44931	6/1968	Australia .
56189	of 1970	Australia .
66986	of 1976	Australia .
76857	of 1979	Australia .

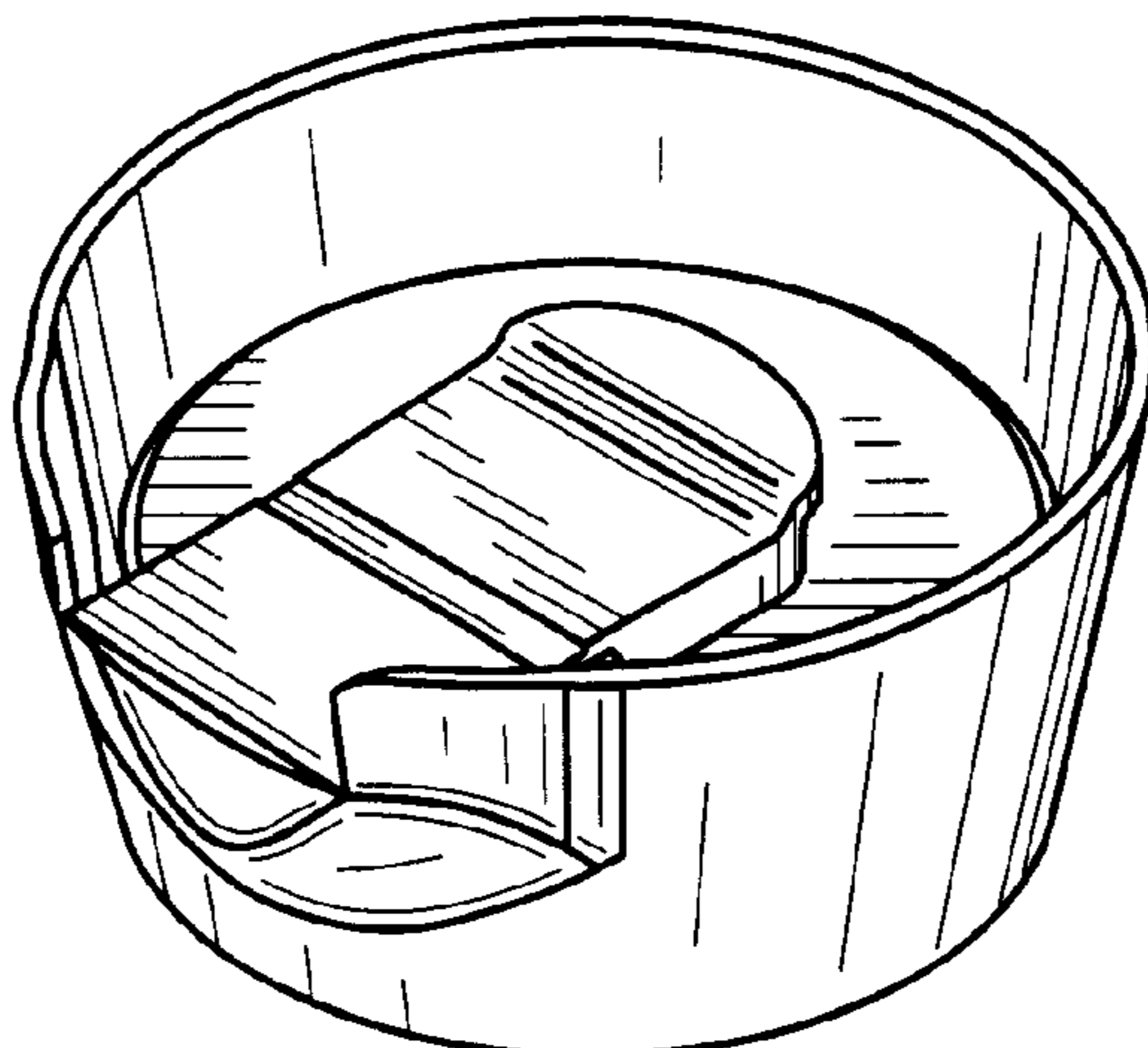
[57] CLAIM

The ornamental design for an angled cap, as shown and described.

DESCRIPTION

FIG. 1 is a perspective view of the cap of our new design; FIG. 2 is a left side elevational view thereof; FIG. 3 is a right side elevational view thereof; FIG. 4 is a top plan view thereof; and, FIG. 5 is a front elevational view thereof; the rear elevation being a mirror image.
The bottom and interior of the closure form no part of the claimed design.

1 Claim, 2 Drawing Sheets



U.S. PATENT DOCUMENTS					
D. 207,429	4/1967	McLean .	2,022,520	9/1931	Smith .
D. 212,278	9/1968	Weckman .	2,035,404	7/1935	Philbrick .
D. 214,874	8/1969	Vanderhyde .	2,175,052	4/1936	Quinn .
D. 219,727	1/1971	Weckman .	2,334,032	10/1939	Bull et al. .
D. 220,167	3/1971	Barker .	2,546,709	11/1943	Rhodes .
D. 220,561	4/1971	Quintal .	2,594,040	3/1951	Abarr .
D. 221,133	7/1971	Wikke .	2,758,755	4/1952	Le Clair .
D. 223,438	4/1972	Lluch .	3,063,601	8/1956	Schafler .
D. 225,834	1/1973	Kneapler .	3,135,456	11/1962	Hertz .
D. 232,079	7/1974	Luedtke .	3,172,575	6/1964	Palazzolo .
D. 240,594	7/1976	Koenigsberg .	3,503,544	3/1965	Vosburg .
D. 244,176	5/1977	Pardo .	3,516,115	3/1970	Setera .
D. 245,317	8/1977	Pardo .	3,629,901	6/1970	Koleske .
D. 246,953	1/1978	Britt .	3,672,114	12/1971	Wolf .
D. 249,228	9/1978	Schacher et al. .	3,685,700	6/1972	Sacks .
D. 249,329	9/1978	Schacher et al. .	3,741,447	8/1972	Martin .
D. 254,651	4/1980	Shortino .	3,741,447	6/1973	Miles et al. .
D. 254,652	4/1980	Shortino .	3,854,618	12/1974	Beghnini .
D. 254,711	4/1980	Shortino .	3,933,271	1/1976	McGhie .
D. 254,712	4/1980	Shortino .	4,124,151	11/1978	Hazard .
D. 254,713	4/1980	Shortino .	4,133,457	1/1979	Klassen .
D. 254,774	4/1980	Shortino .	4,170,315	10/1979	Dubach et al. .
D. 257,504	11/1980	Weckman .	4,291,818	9/1981	Nozawa et al. .
D. 259,181	5/1981	Saenz .	4,402,435	9/1983	Libit .
D. 259,542	6/1981	Shortino .	4,441,637	4/1984	Libit .
D. 260,238	8/1981	Costa .	4,533,058	8/1985	Uhlig .
D. 260,366	8/1981	Neu .	4,607,768	8/1986	Taber et al. .
D. 263,115	2/1982	Ohmori .	4,632,266	12/1986	Osswald .
D. 263,807	4/1982	Kingsford .	4,728,006	3/1988	Drobish et al. .
D. 271,284	11/1983	Bainton D9/449 X	4,749,108	6/1988	Dornsbusch et al. .
D. 272,323	1/1984	Bainton D9/449 X	4,763,803	8/1988	Schneider .
D. 280,603	9/1985	Johnson et al. .	4,821,899	4/1989	Nycz et al. .
D. 280,604	9/1985	Johnson et al. .	4,842,165	6/1989	Van Coney .
D. 282,529	2/1986	Pereira et al. .	4,846,810	7/1989	Gerber .
D. 292,070	9/1987	Kassamali et al. .	4,911,314	3/1990	Schneider .
D. 306,265	2/1990	Leebeek .	4,911,337	3/1990	Rosenthal .
D. 309,423	7/1990	Alizard .	4,969,581	11/1990	Seifert et al. .
D. 313,352	1/1991	Segati .	4,991,745	2/1991	Brown .
D. 323,617	2/1992	Miller .	4,993,606	2/1991	Bolen, Jr. et al. .
D. 326,813	6/1992	Gavala, Jr. et al. .	4,998,633	3/1991	Schneider .
D. 328,864	8/1992	Grunzweig D9/447	5,005,737	4/1991	Rohr .
D. 329,984	10/1992	Walravens .	5,033,655	7/1991	Brown .
D. 331,877	12/1992	Robichaud .	5,038,957	8/1991	Gross .
D. 332,406	1/1993	Desgrippes et al. .	5,052,567	10/1991	Colani .
D. 333,266	2/1993	Walravens .	5,115,950	5/1992	Rohr .
D. 338,824	8/1993	Chen .	5,213,236	5/1993	Brown et al. .
D. 341,779	11/1993	Lewis .	5,251,793	10/1993	Bolen, Jr. et al. .
D. 343,794	2/1994	D'Amico et al. .	5,271,531	12/1993	Rohr et al. .
D. 349,045	7/1994	Schmitt .	5,330,054	7/1994	Brown .
D. 352,458	11/1994	Gray .	5,339,995	8/1994	Brown et al. .
D. 353,099	12/1994	Poisson .	5,348,201	9/1994	Koo .
D. 365,761	1/1996	Abfier et al. .	5,377,877	1/1995	Brown et al. .
D. 370,413	6/1996	Gobe .	5,395,015	3/1995	Bolen, Jr. et al. .
D. 370,415	6/1996	Seppala .	5,409,144	4/1995	Brown .
D. 374,625	10/1996	Flurer et al. .	5,417,350	5/1995	Koo .
1,206,661	11/1916	Booth .	5,439,143	8/1995	Brown et al. .
1,426,241	8/1922	Zini .	5,523,045	6/1996	Kudert et al. .
1,825,553			5,531,363	7/1996	Gross et al. .
			5,632,420	5/1997	Lohrman et al. .

FIG. 1

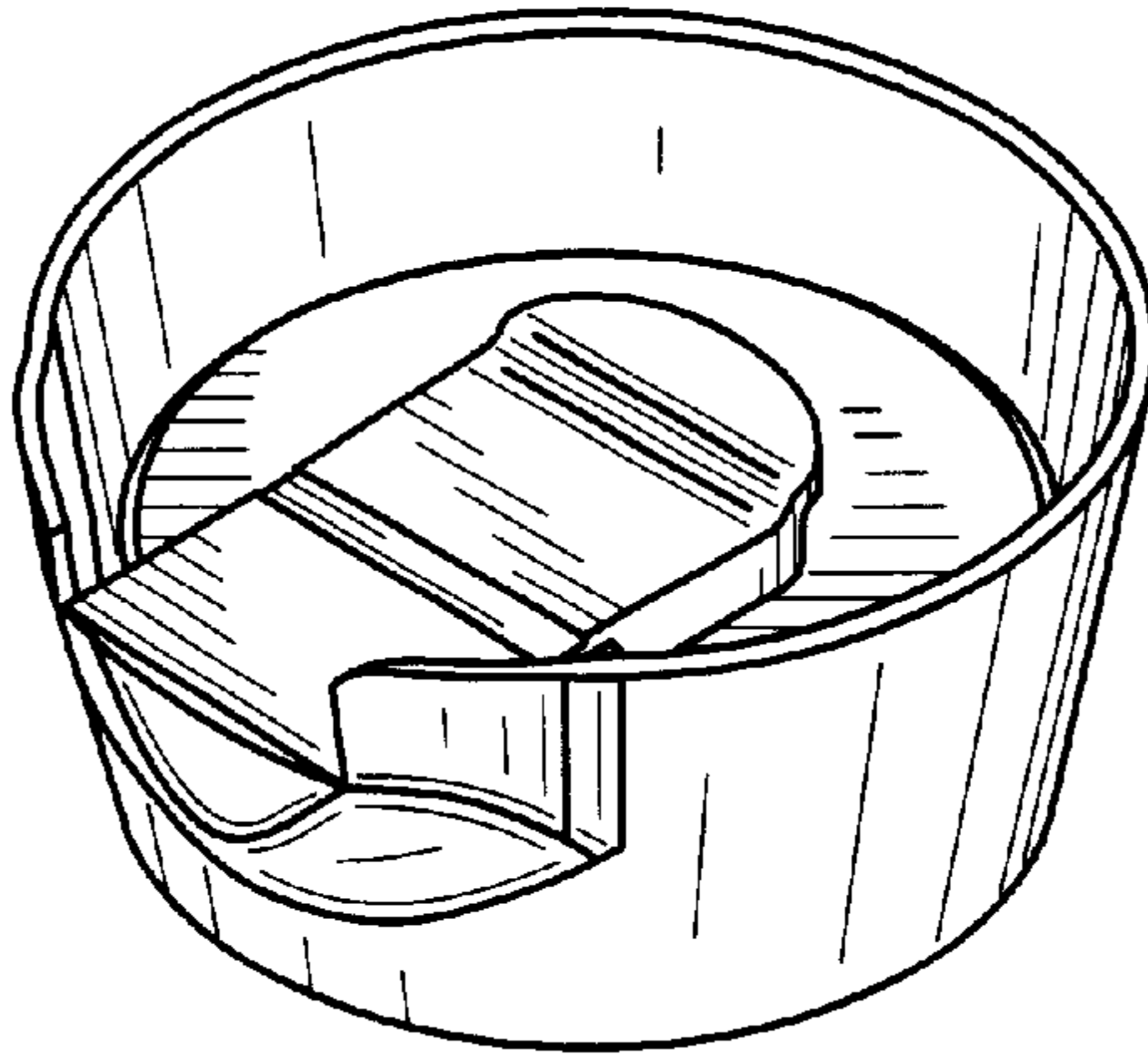


FIG. 2

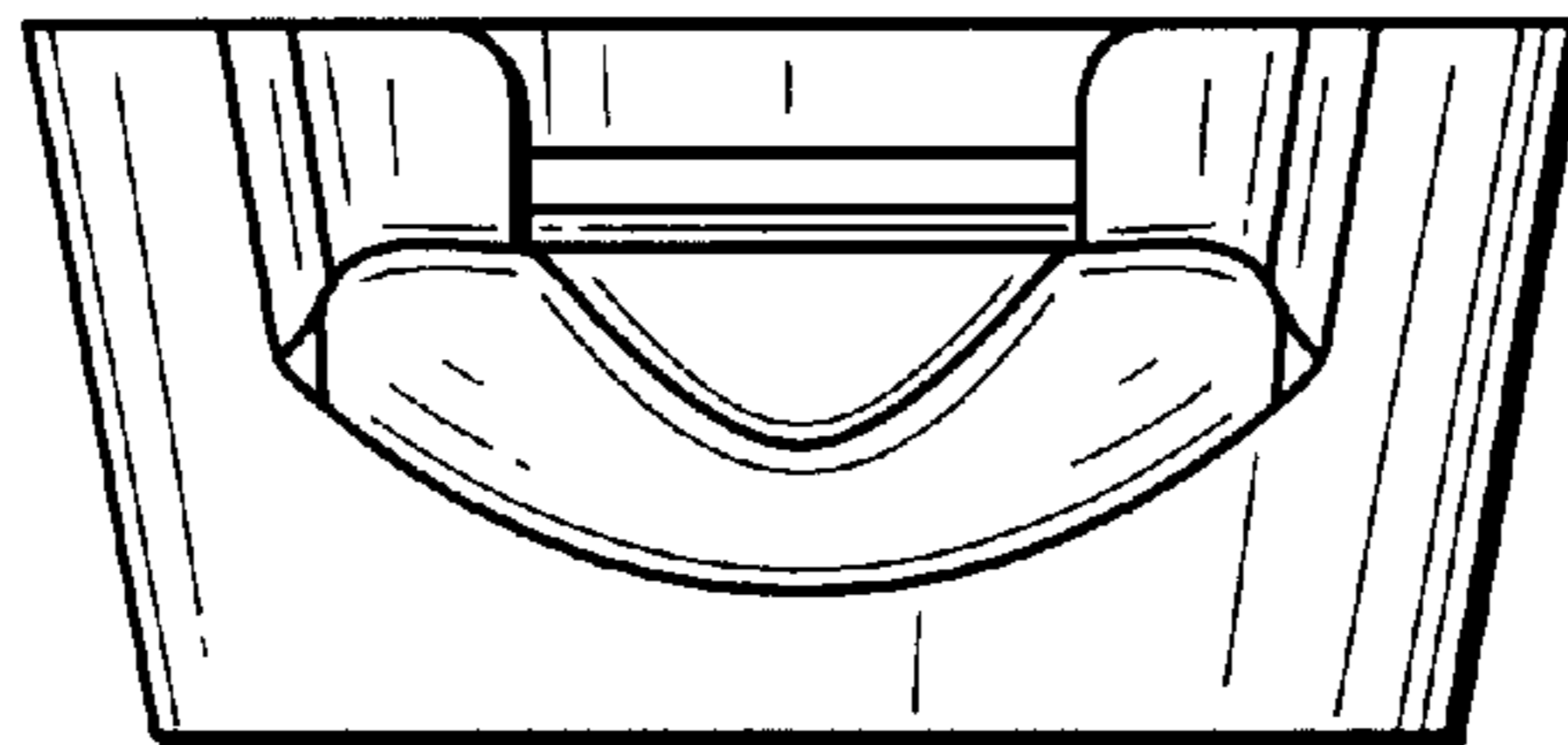


FIG. 3

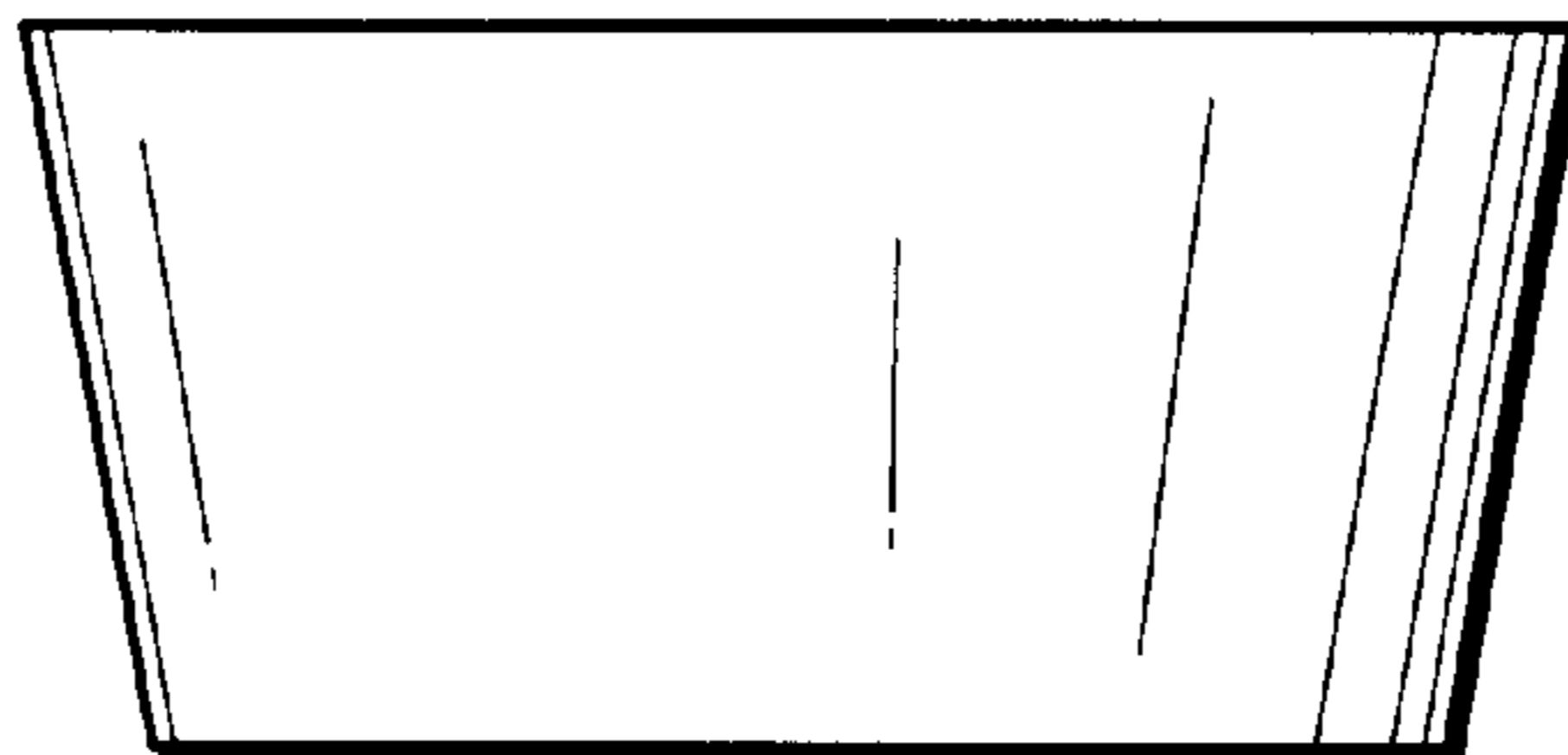


FIG. 4

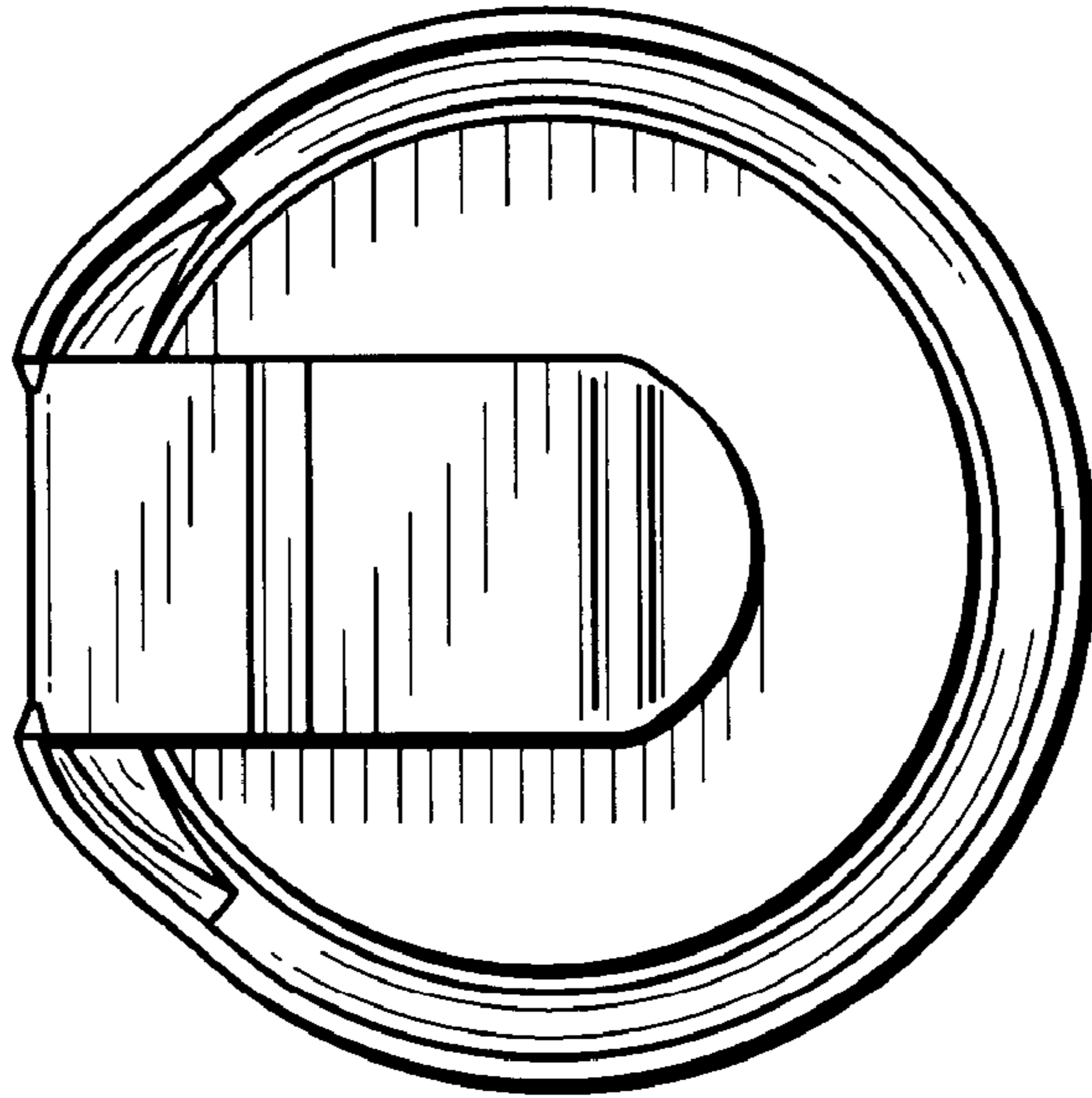


FIG. 5

