



US00D411739S

**United States Patent** [19]  
**Havens**

[11] **Patent Number: Des. 411,739**  
[45] **Date of Patent: \*\* Jun. 29, 1999**

[54] **CORNER CUSHION**

[75] Inventor: **Lamar D. Havens**, Seattle, Wash.

[73] Assignee: **Mantec Services Company**, Seattle, Wash.

[\*\*] Term: **14 Years**

[21] Appl. No.: **29/075,986**

[22] Filed: **Aug. 27, 1997**

[51] **LOC (6) Cl.** ..... **08-09**

[52] **U.S. Cl.** ..... **D8/403**

[58] **Field of Search** ..... D25/119-125;  
D8/400, 402, 403, 395, 396; 267/139, 140;  
52/732.1, 732.3, 736.4; 248/345.1; 49/462

[56] **References Cited**

**U.S. PATENT DOCUMENTS**

3,869,106 3/1975 Gregov ..... 248/345.1  
5,639,072 6/1997 McCall ..... 267/139

*Primary Examiner*—Susan J. Lucas  
*Assistant Examiner*—Jennifer Rivard  
*Attorney, Agent, or Firm*—Christensen O'Connor Johnson & Kindness PLLC

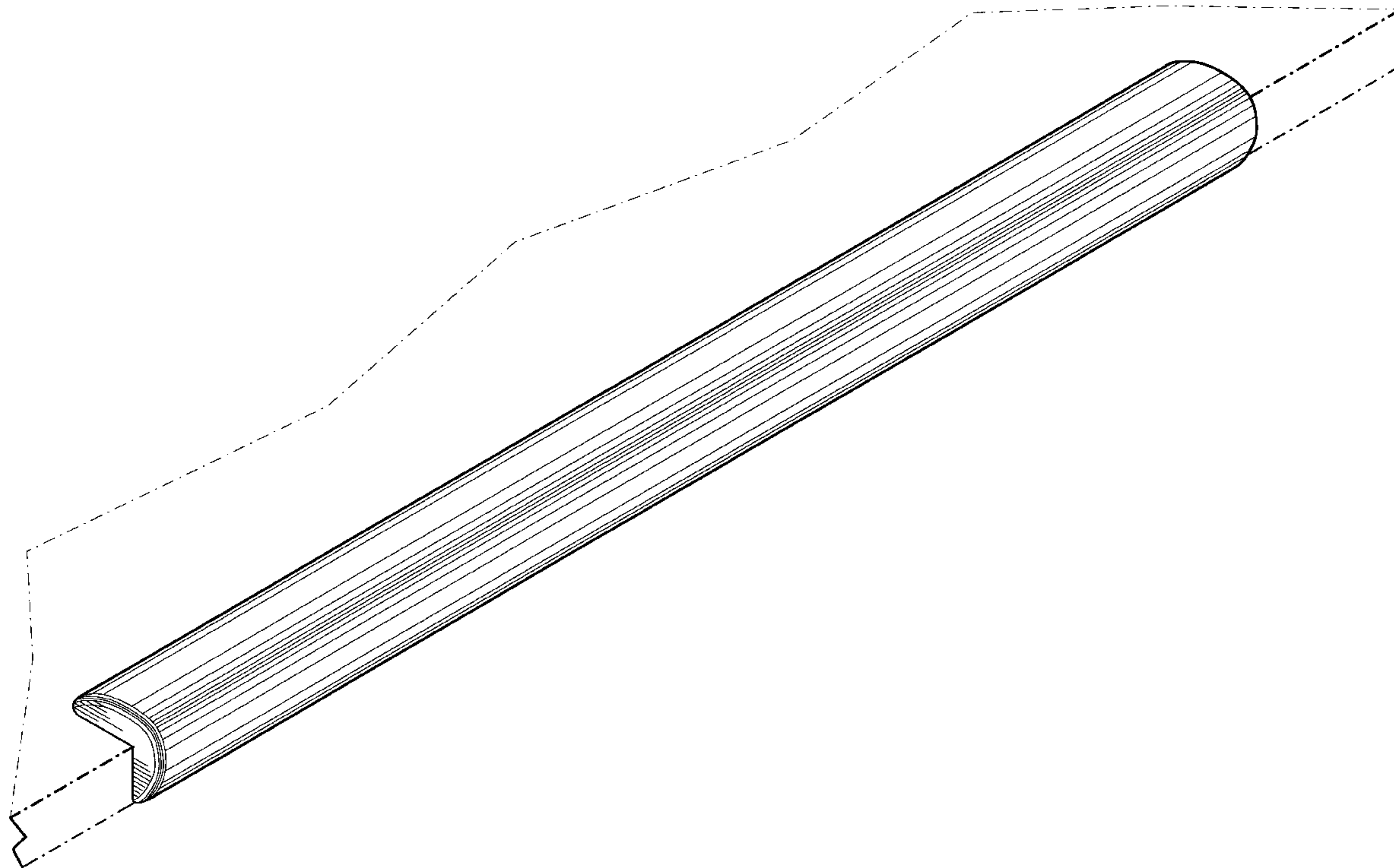
[57] **CLAIM**

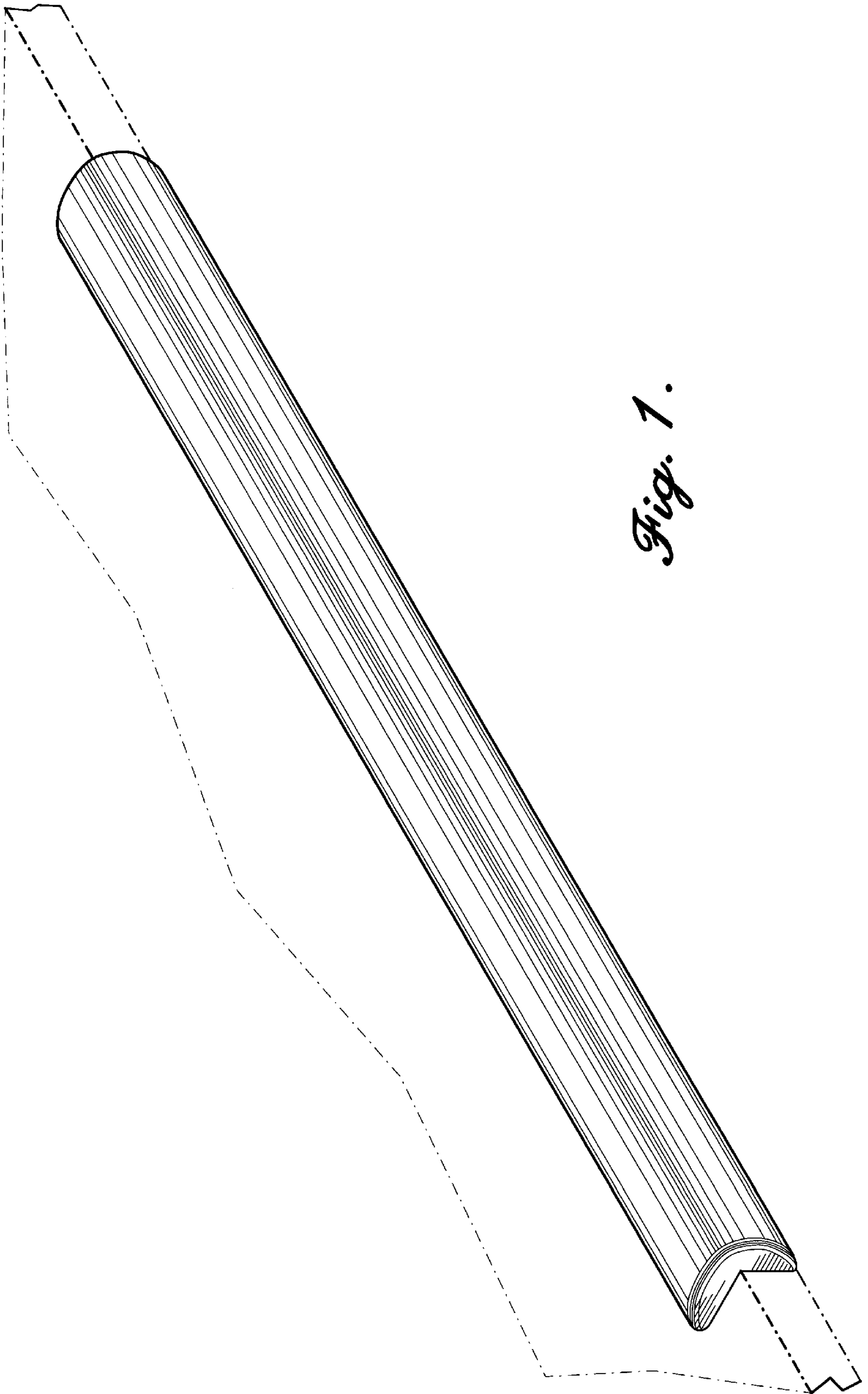
The ornamental design for a corner cushion, as shown and described.

**DESCRIPTION**

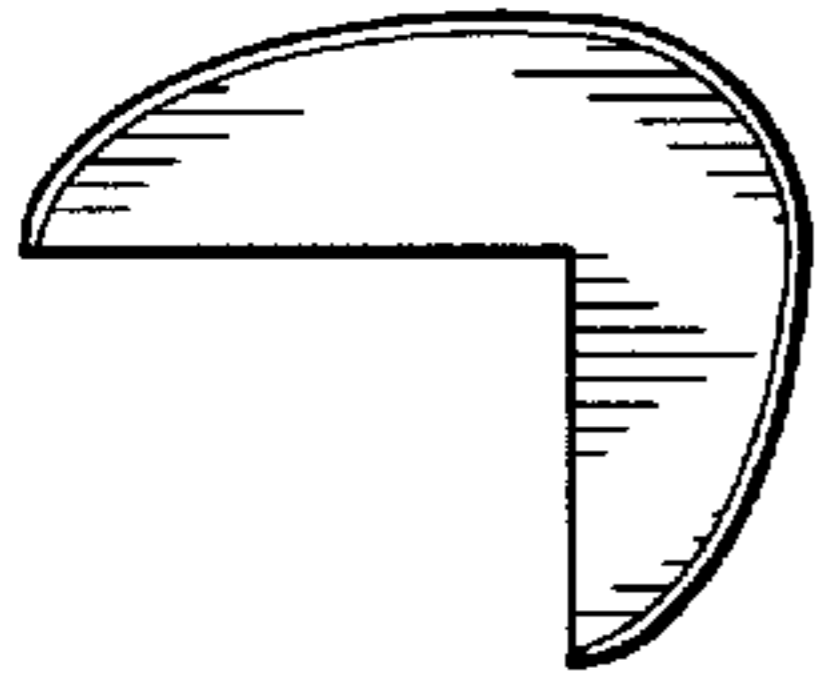
FIG. 1 is an isometric view of a corner cushion showing my new design;  
FIG. 2 is an end view of the corner cushion of FIG. 1; the opposite end view being a mirror image;  
FIG. 3 is a front view of the corner cushion of FIG. 1;  
FIG. 4 is a back view of the corner cushion of FIG. 1;  
FIG. 5 is a bottom elevation view of the corner cushion of FIG. 1; and,  
FIG. 6 is a top elevation view of the corner cushion of FIG. 1.

**1 Claim, 2 Drawing Sheets**

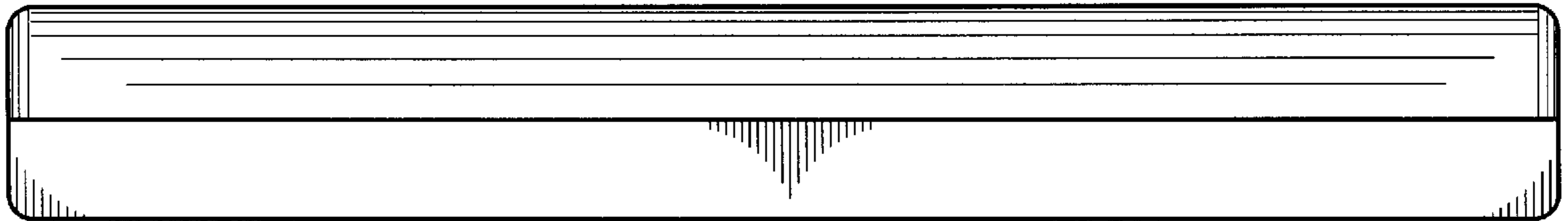




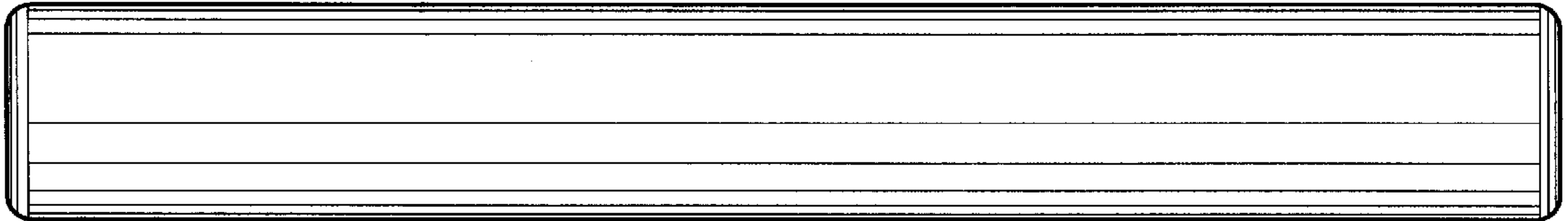
*Fig. 1.*



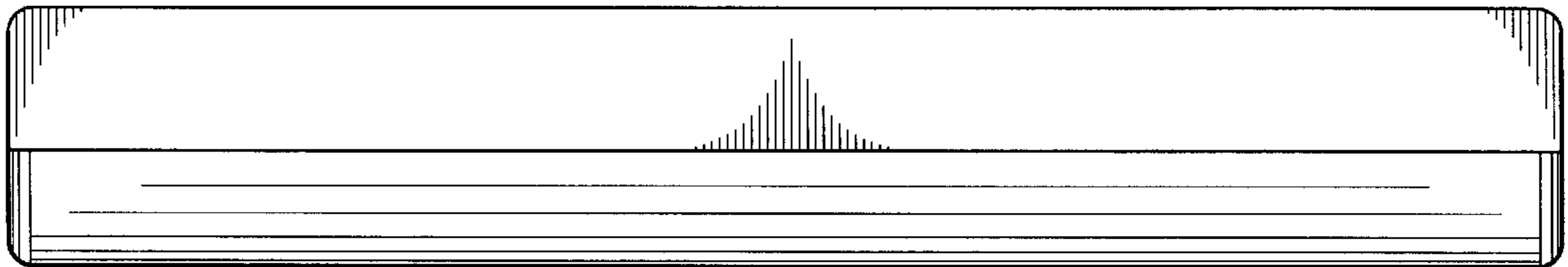
*Fig. 2.*



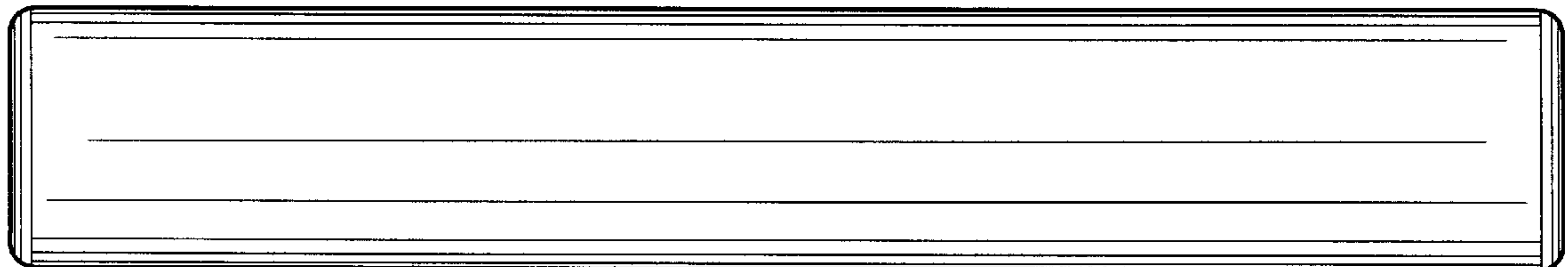
*Fig. 3.*



*Fig. 4.*



*Fig. 5.*



*Fig. 6.*