



US00D411738S

United States Patent [19]
Raasch et al.

[11] **Patent Number: Des. 411,738**
[45] **Date of Patent: ** Jun. 29, 1999**

[54] **SHELF BRACKET**

[75] Inventors: **Jason J. Raasch**, Arlington Heights;
Andrey E. Frolov, Glenview, both of Ill.

[73] Assignee: **Midwest Air Technologies, Inc.**,
Lincolnshire, Ill.

[**] Term: **14 Years**

[21] Appl. No.: **29/070,138**

[22] Filed: **May 1, 1997**

[51] **LOC (6) Cl.** **08-05**

[52] **U.S. Cl.** **D8/381**

[58] **Field of Search** D8/380-381; 248/235,
248/237, 243, 245, 247, 246

[56] **References Cited**

U.S. PATENT DOCUMENTS

2,833,420	5/1958	Streater	248/250
2,936,904	5/1960	Streater	248/250
3,207,100	9/1965	Peacock	248/250
3,368,784	2/1968	Peterson	248/245
3,614,044	10/1971	Bard	248/250
3,779,499	12/1973	Shell	248/245
5,388,796	2/1995	Sullivan	248/246

OTHER PUBLICATIONS

Stanley Catalog, p. 204, shelf bracket, located in middle of page, Apr. 1980.

Primary Examiner—Holly Baynham

Attorney, Agent, or Firm—Greer, Burns & Crain, Ltd

[57] **CLAIM**

The ornamental design for a shelf bracket, as shown and described.

DESCRIPTION

FIG. 1 is a left perspective view of our new design of a shelf bracket;
 FIG. 2 is a right perspective view of the shelf bracket;
 FIG. 3 is a right side view of the shelf bracket;
 FIG. 4 is a left side view thereof;
 FIG. 5 is a front elevational view of the shelf bracket;
 FIG. 6 is a rear elevational view thereof;
 FIG. 7 is a top elevational view of the shelf bracket;
 FIG. 8 is a bottom elevational view thereof;
 FIG. 9 is a left perspective of an alternative embodiment of our new design of a shelf bracket;
 FIG. 10 is a right perspective view of the shelf bracket shown in FIG. 9;
 FIG. 11 is a right side view of the shelf bracket shown in FIG. 9;
 FIG. 12 is a left side view thereof;
 FIG. 13 is a front elevational view of the shelf bracket shown in FIG. 9;
 FIG. 14 is a rear elevational view thereof;
 FIG. 15 is a top elevational view of the shelf bracket shown in FIG. 9; and,
 FIG. 16 is a bottom elevational view thereof.

The broken line showing of the front end and hooking members of the bracket is for illustrative purposes only and forms no part of the claimed design.

1 Claim, 4 Drawing Sheets

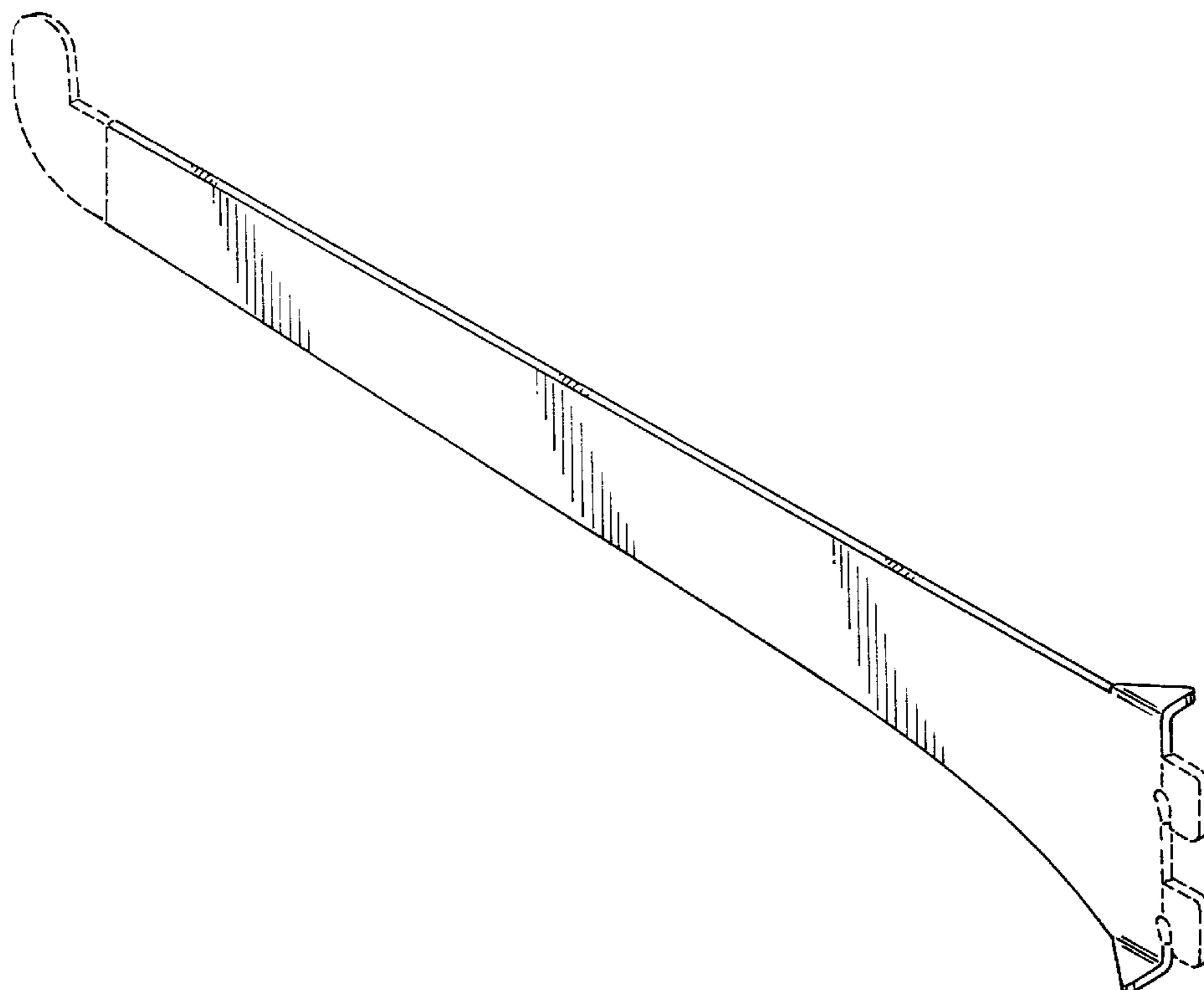


FIG. 5

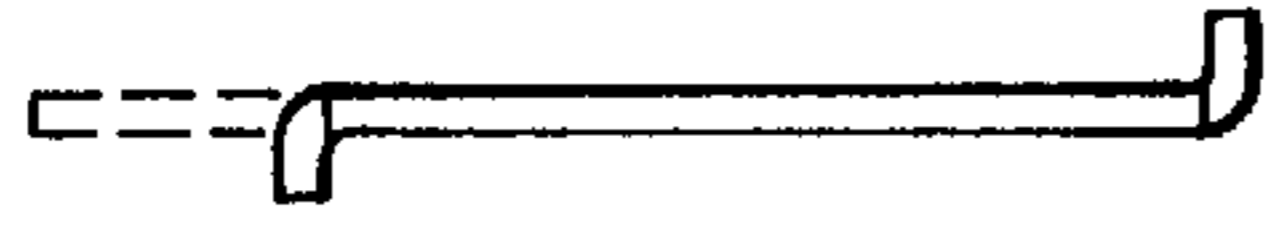


FIG. 6

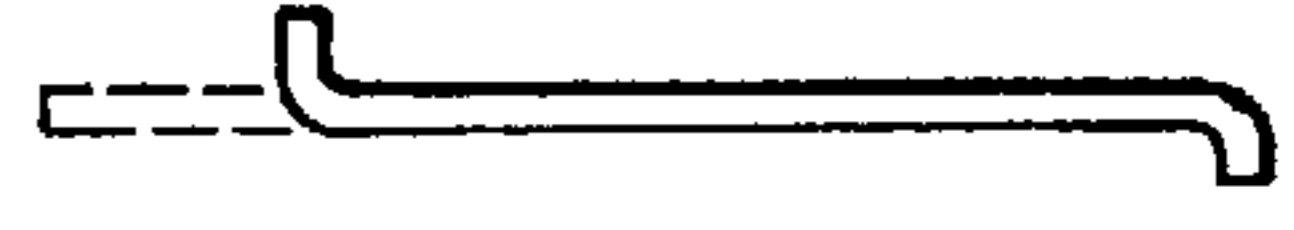


FIG. 1

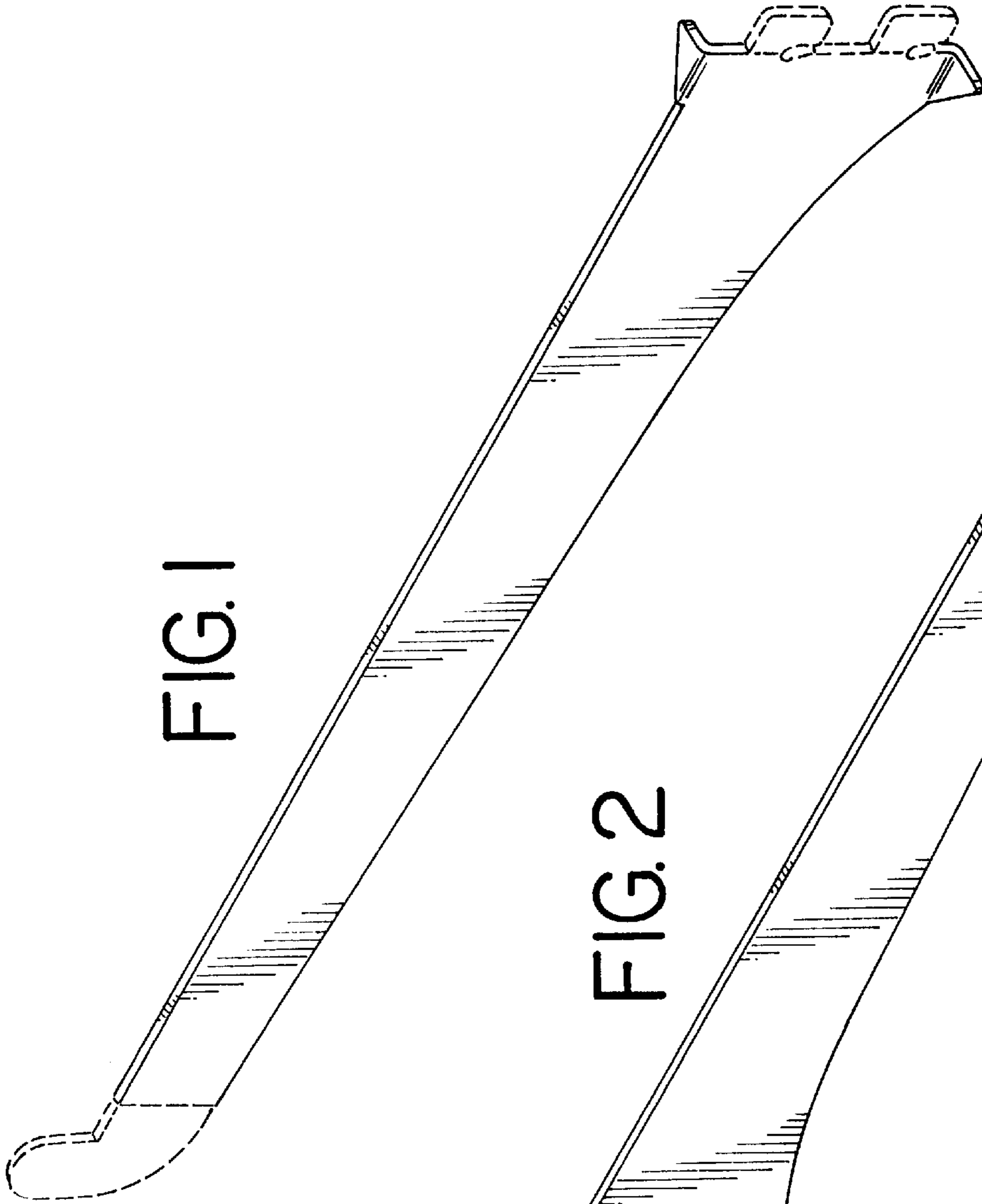


FIG. 2

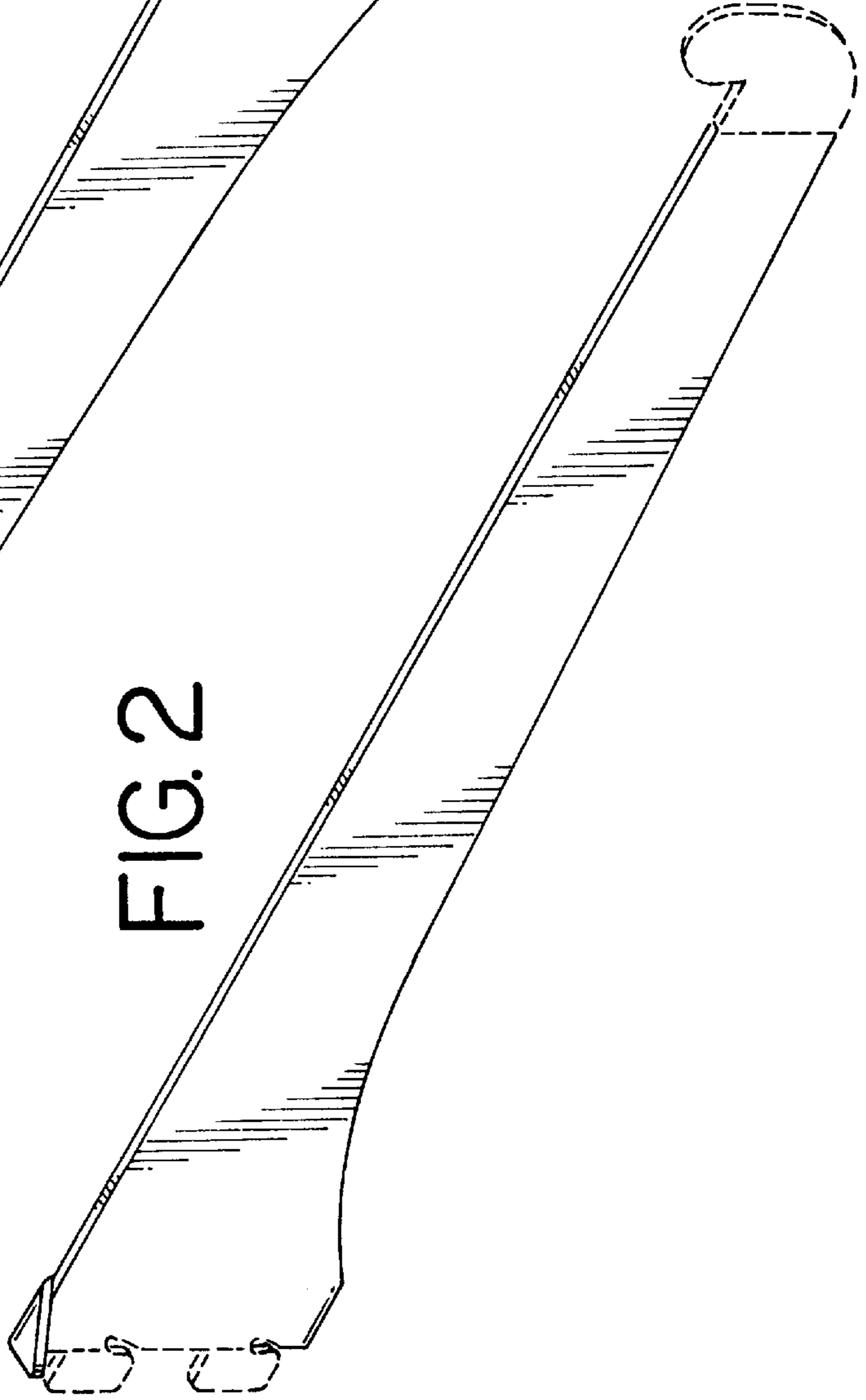


FIG. 3

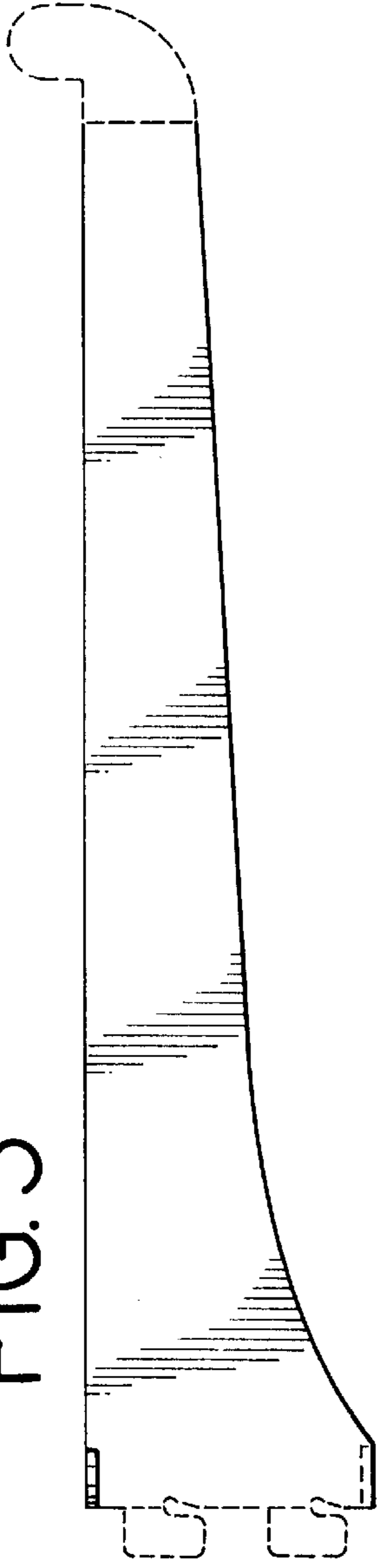


FIG. 4

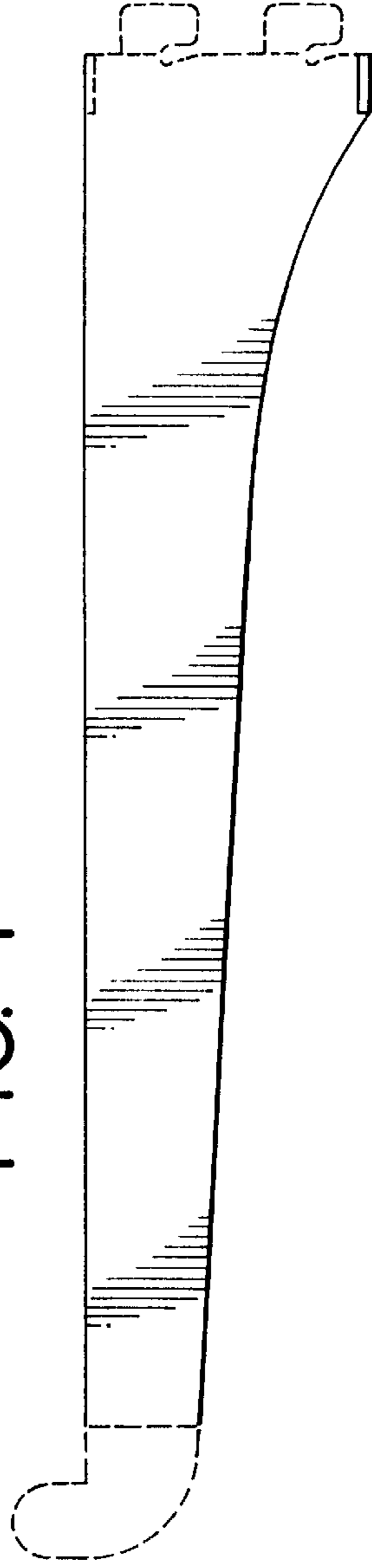


FIG. 7

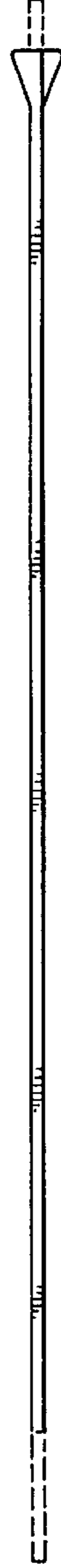


FIG. 8



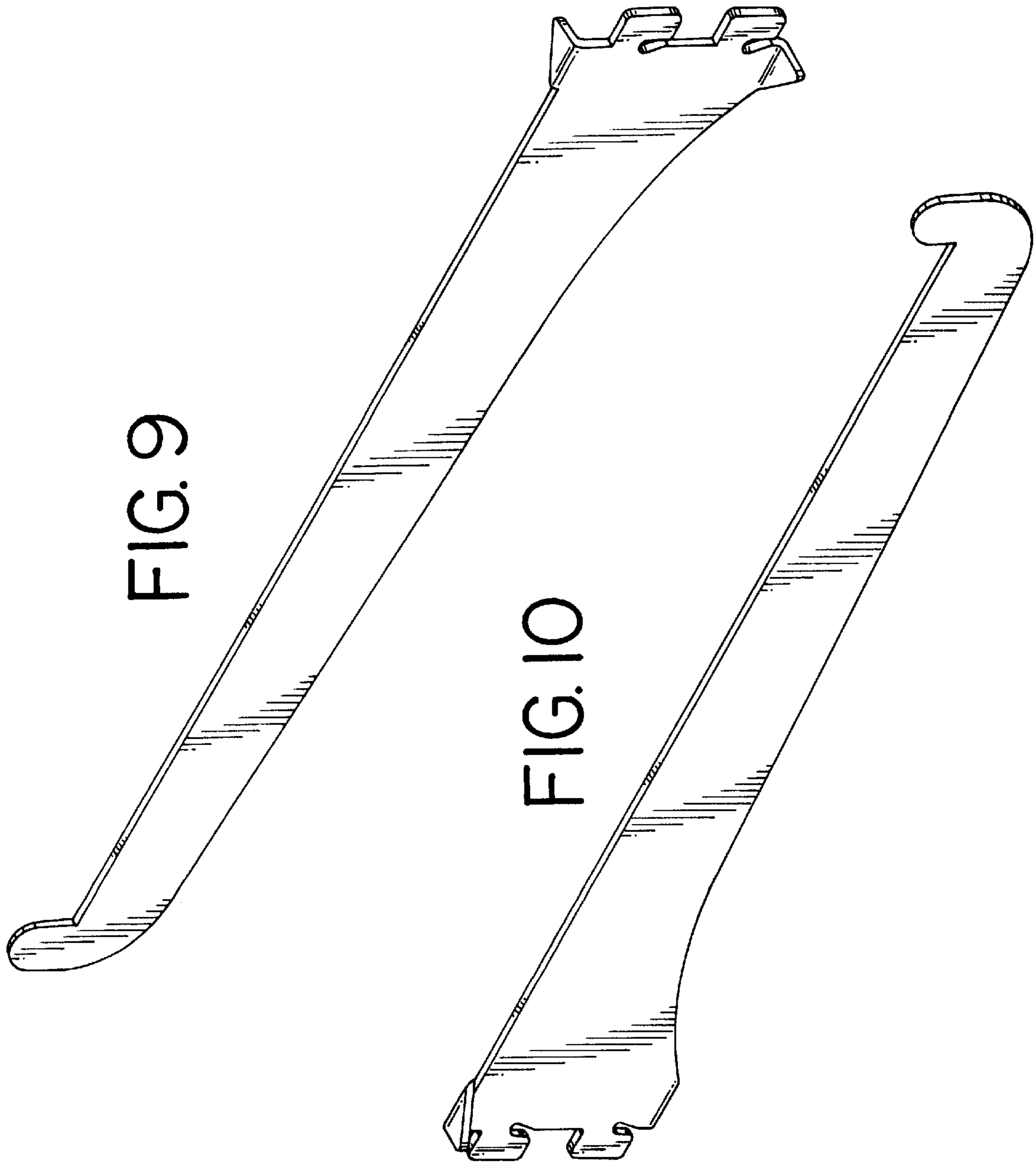


FIG. 13

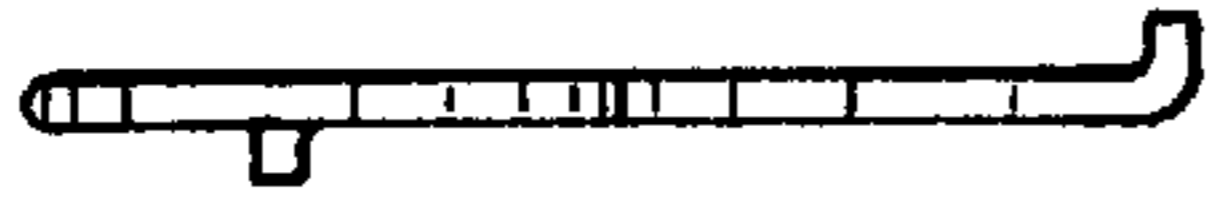


FIG. 14

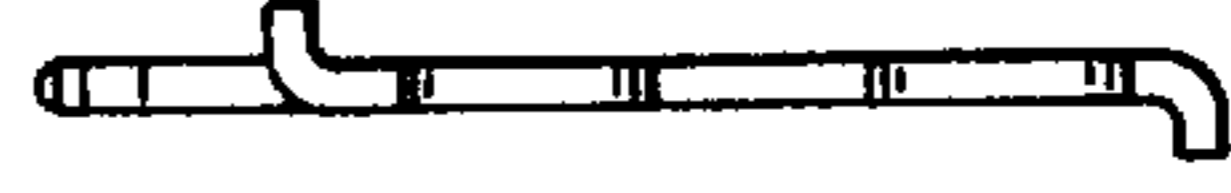


FIG. 11

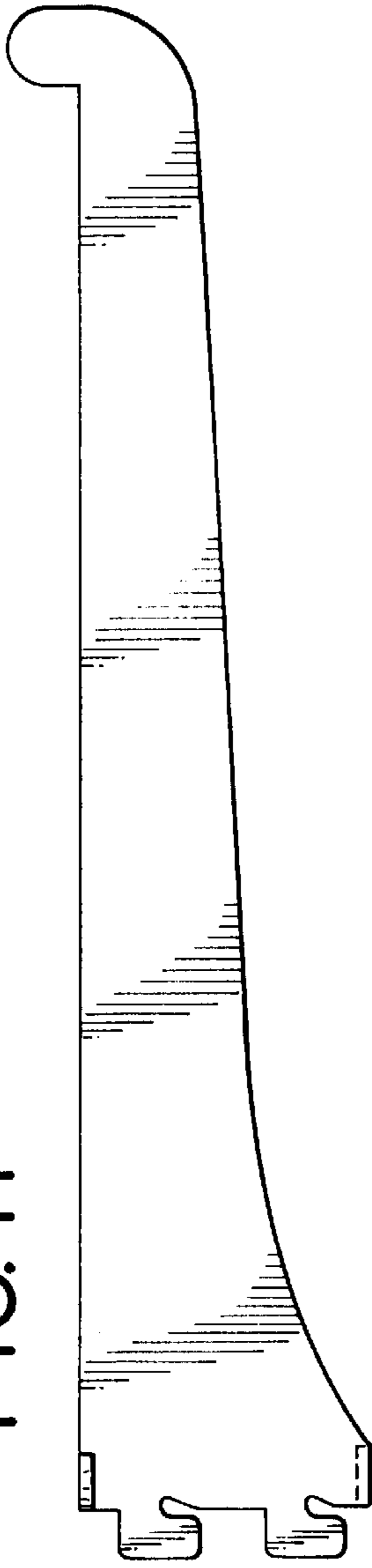


FIG. 12

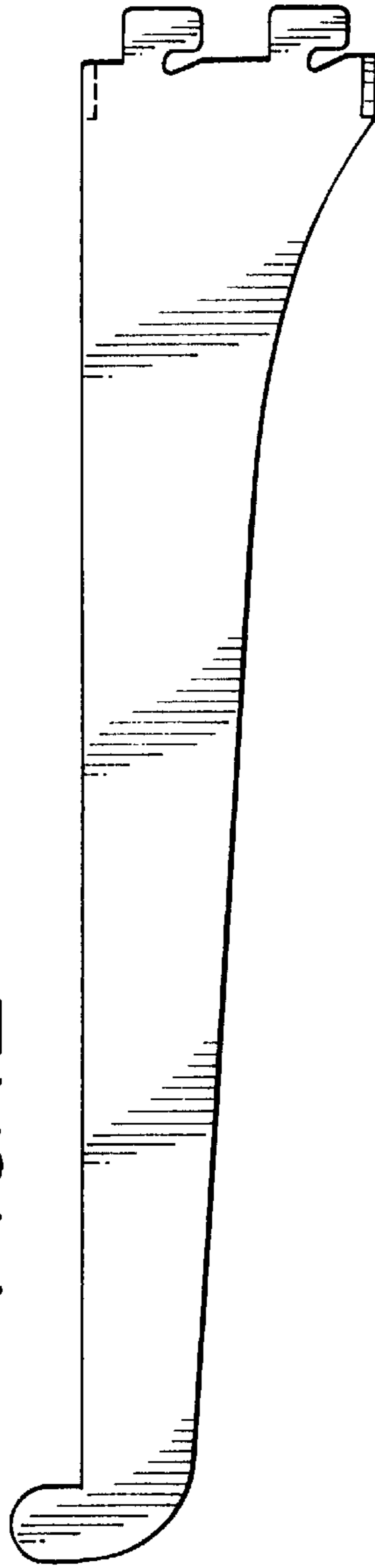


FIG. 15



FIG. 16



UNITED STATES PATENT AND TRADEMARK OFFICE
CERTIFICATE OF CORRECTION

PATENT NO. : D 411,738

Page 1 of 2

DATED : June 29, 1999

INVENTOR(S) : Raasch et al.

It is certified that error appears in the above-identified patent and that said Letters Patent is hereby corrected as shown below:

On the Title Page:

Under "[56] References Cited U.S. Patent

Documents" please insert

--	1,176,588	3/1916	Miller et al.
	4,098,480	7/1978	Neumann
	4,098,481	7/1978	Johnson et al.
	4,533,056	8/1985	Krikorian
	4,624,376	11/1986	Bertram
	4,720,069	1/1988	Bessinger
	4,783,35	11/1988	Remmers
	5,346,077	9/1994	Randall--;

UNITED STATES PATENT AND TRADEMARK OFFICE
CERTIFICATE OF CORRECTION

PATENT NO. : D 411,738

Page 2 of 2

DATED : June 29, 1999

INVENTOR(S) : Raasch et al.

It is certified that error appears in the above-identified patent and that said Letters Patent is hereby corrected as shown below:

Under "[56] References Cited Foreign Patent

Documents" please insert

--	361,068	11/1931	U.K.
	365,254	1/1932	U.K.
	939,044	10/1963	U.K.-- and;

Under "[56] Other Publications" please insert --Sales brochure,

Twin Trac Shelf Brackets Air Technologies, Inc., Lincolnshire,


Illinois, 1 page, date unknown--

therefor

Signed and Sealed this

Twenty-seventh Day of March, 2001

Attest:



NICHOLAS P. GODICI

Attesting Officer

Acting Director of the United States Patent and Trademark Office