



US00D411736S

United States Patent [19]
Kazale

[11] **Patent Number: Des. 411,736**

[45] **Date of Patent: ** Jun. 29, 1999**

[54] **PORTION OF A STORAGE HOOK**

[75] Inventor: **Thomas M. Kazale**, Lombard, Ill.

[73] Assignee: **Convenience Concepts, Inc.**, Addison, Ill.

[**] Term: **14 Years**

[21] Appl. No.: **29/094,279**

[22] Filed: **Sep. 28, 1998**

[51] **LOC (6) Cl.** **08-05**

[52] **U.S. Cl.** **D8/367**

[58] **Field of Search** **D8/367, 373; 248/301-304, 248/339**

[56] **References Cited**

U.S. PATENT DOCUMENTS

D. 401,499 1/1997 Barry D8/367

OTHER PUBLICATIONS

Stanley Hardware Catalog, p. 170A, rope hook circled in middle of page, May 1980.

Primary Examiner—Holly Baynham

Attorney, Agent, or Firm—Merchant, Gould, Smith, Edell, Welter & Schmidt, P.A.

[57] **CLAIM**

The ornamental design for portion of a storage hook, as shown and described.

DESCRIPTION

FIG. 1 is a perspective view of the portion of a storage hook according to the principles of the invention;

FIG. 2 is a perspective view of the portion of a storage hook of FIG. 1 shown in a fold away position;

FIG. 3 is a front, elevation view of the portion of a storage hook of FIG. 1;

FIG. 4 is a back, elevation view of the portion of a storage hook of FIG. 1;

FIG. 5 is a top, plan view of the portion of a storage hook of FIG. 1;

FIG. 6 is a bottom, plan view of the portion of a storage hook of FIG. 1; and,

FIG. 7 is a side, elevation view of the portion of a storage hook of FIG. 1.

The broken line showing of a partial hook is for illustrative purposes only and forms no part of the claimed design.

1 Claim, 4 Drawing Sheets

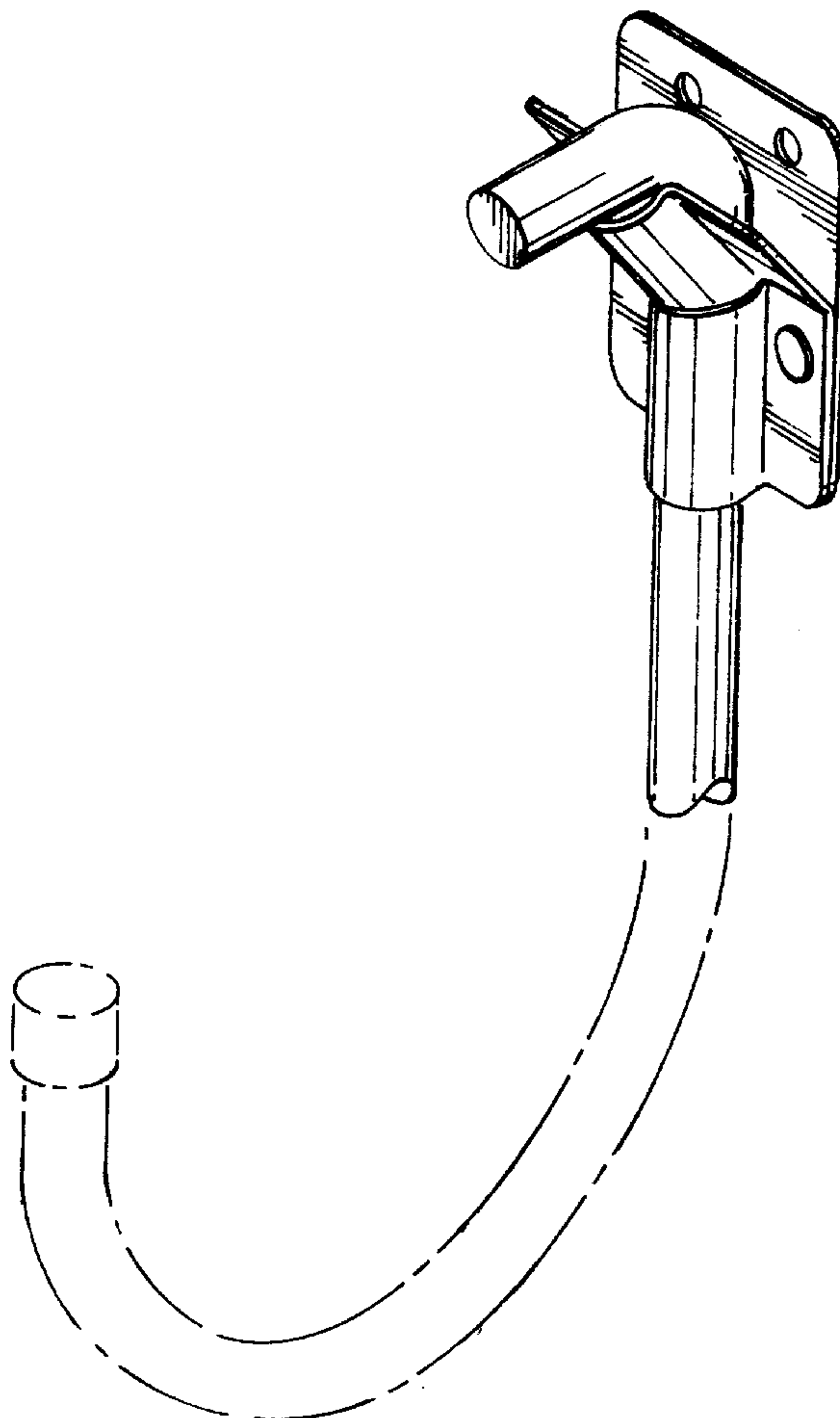
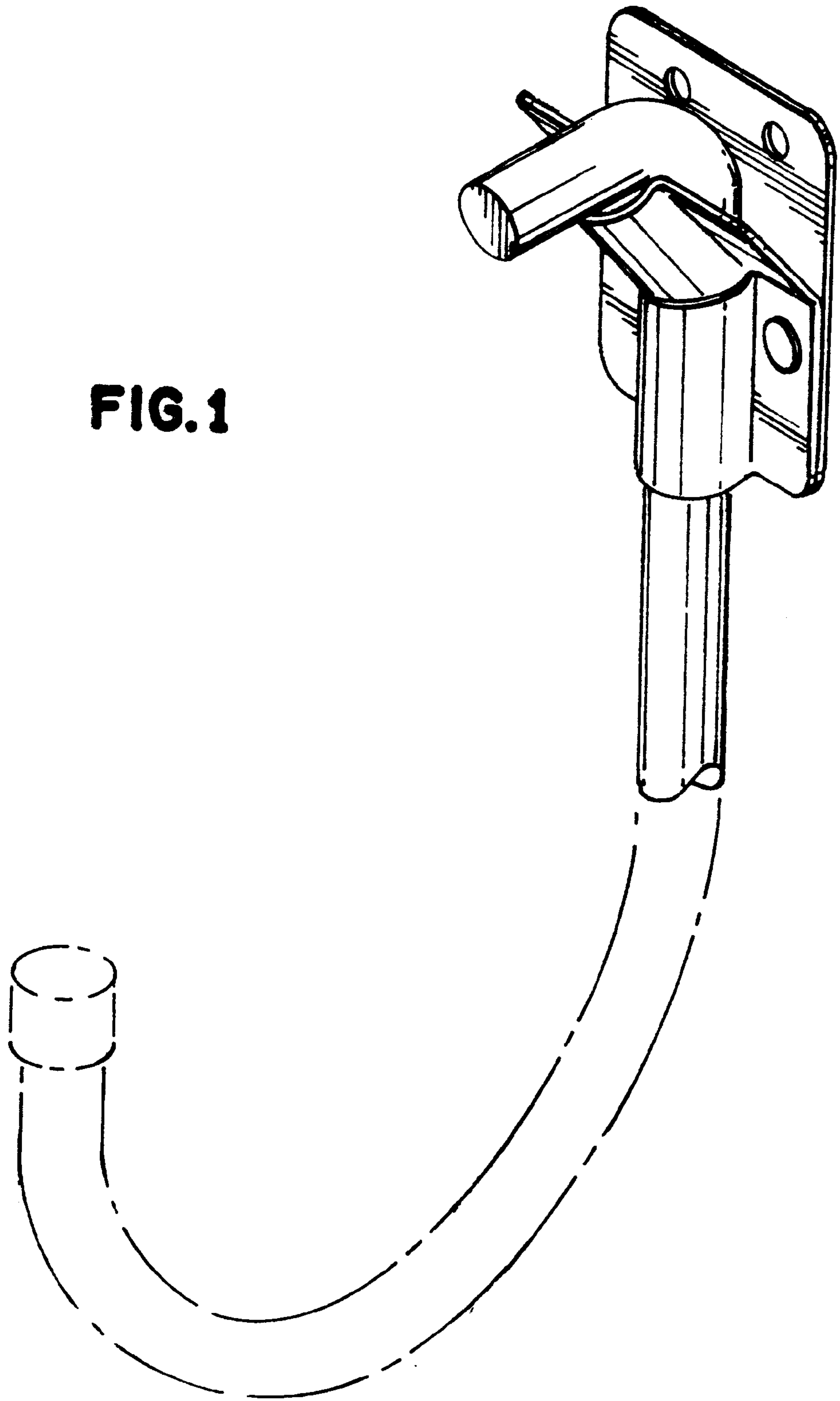


FIG. 1



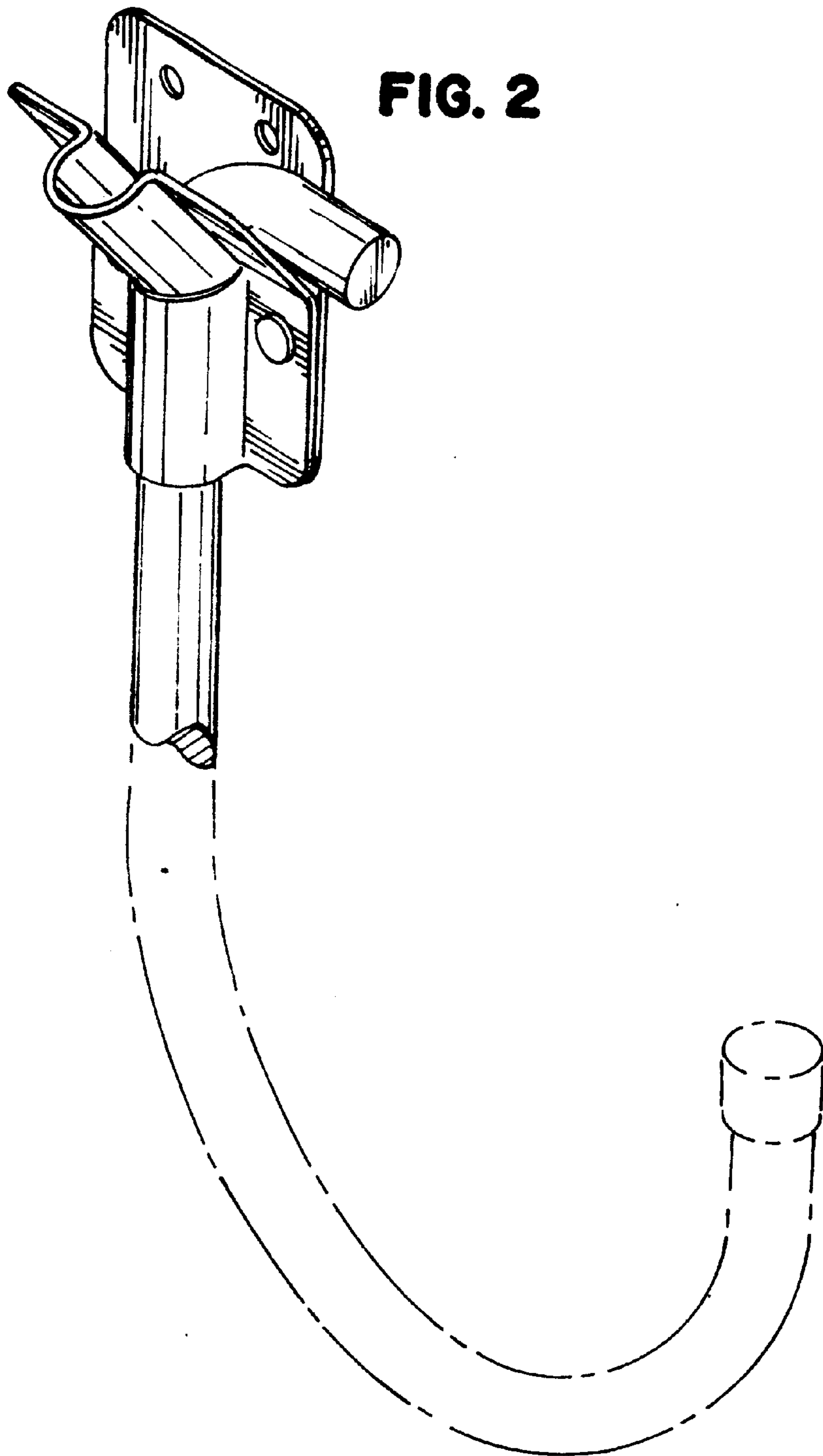


FIG. 3

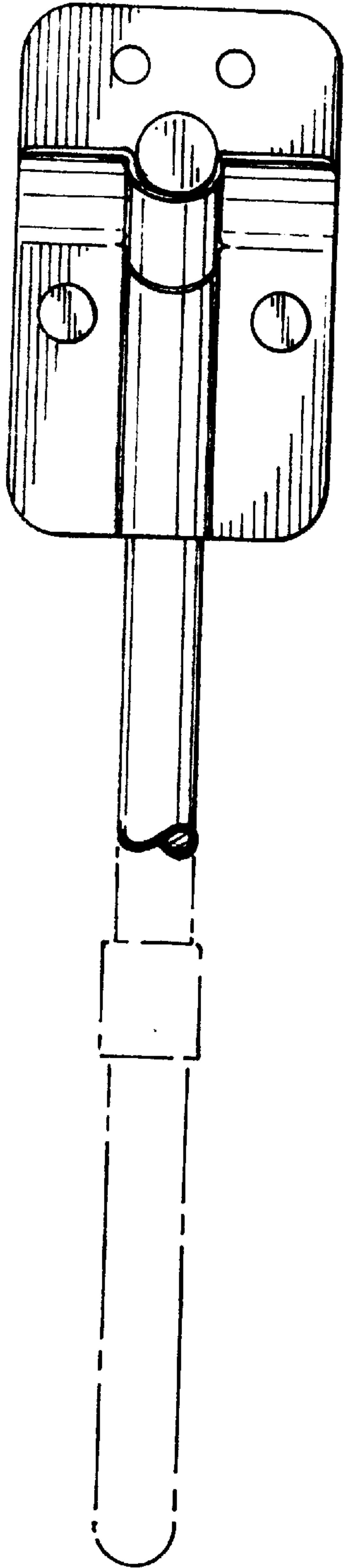


FIG. 4

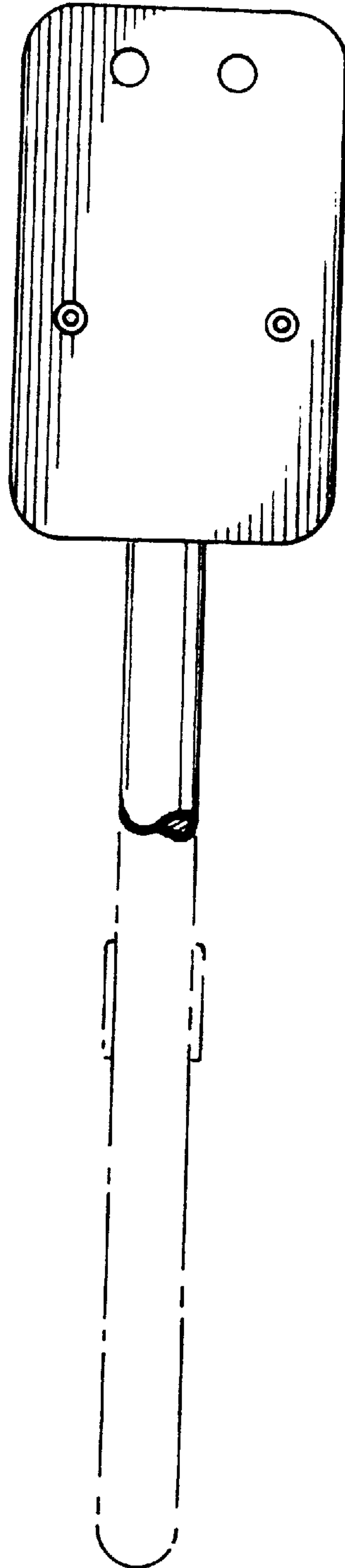


FIG. 5

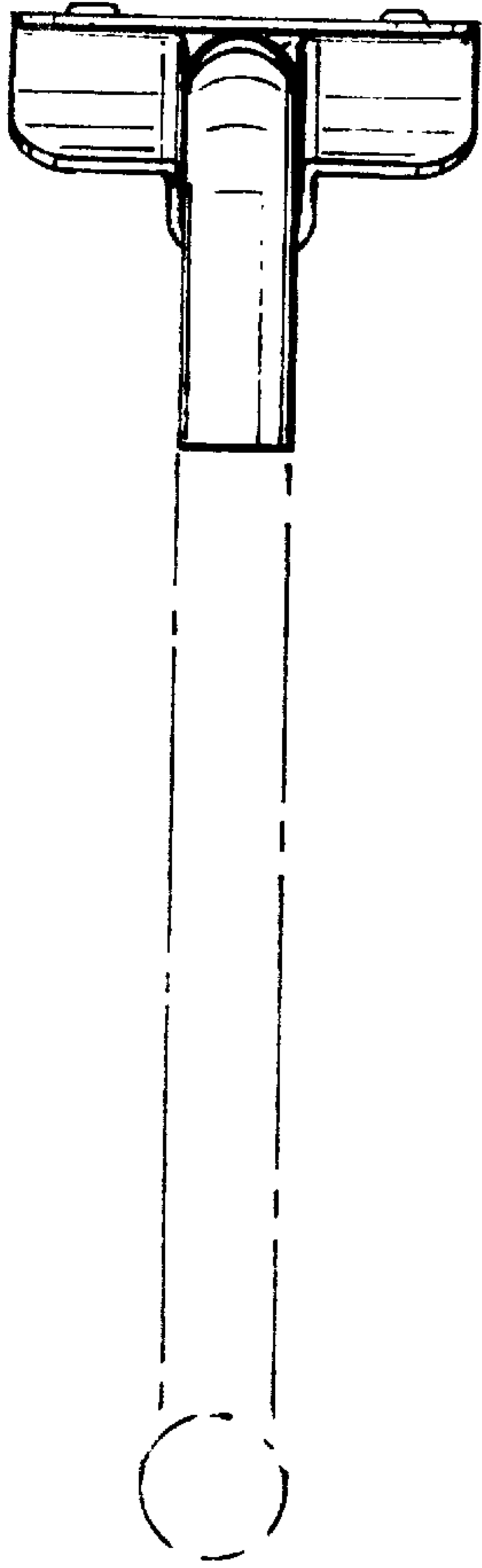


FIG. 6

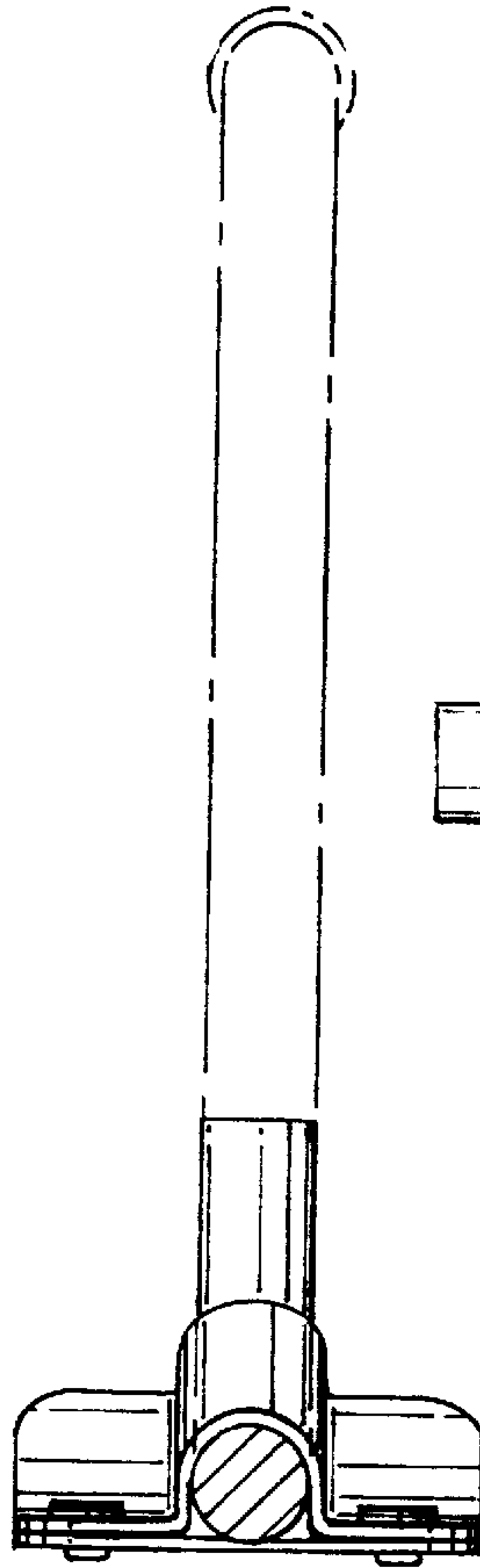


FIG. 7

