



US00D411735S

United States Patent [19]

Bernard et al.

[11] Patent Number: Des. 411,735

[45] Date of Patent: ** Jun. 29, 1999

[54] CABLE MANAGER RING

[75] Inventors: **David A. Bernard**, Palos Heights;
Michael J. McGrath, Homewood, both
of Ill.

[73] Assignee: **Panduit Corp.**, Tinley Park, Ill.

[**] Term: **14 Years**

[21] Appl. No.: **29/090,996**

[22] Filed: **Jul. 21, 1998**

[51] **LOC (6) Cl.** **08-05**

[52] **U.S. Cl.** **D8/356; D8/380; D8/395;**
D8/396

[58] **Field of Search** D8/373, 395, 396,
D8/380, 394, 356; 248/71, 74.2, 68.1, 220.31,
220.43

[56] References Cited

U.S. PATENT DOCUMENTS

D. 387,652	12/1997	Carlson, Jr.	D8/395
2,746,112	5/1956	Simon .	
2,972,461	2/1961	Balbach et al. .	
2,979,554	4/1961	Maitland .	
3,339,870	9/1967	Damsgaard .	
3,500,505	3/1970	Thompson	248/68.1
3,659,319	5/1972	Erickson .	
3,944,176	3/1976	Danko .	
3,991,960	11/1976	Tanaka	248/68.1
4,497,411	2/1985	DeBortoli .	
4,623,102	11/1986	Hough, Jr.	248/74.3
4,641,754	2/1987	Hebel et al. .	
5,145,380	9/1992	Holcomb et al. .	
5,153,819	10/1992	Hebel .	

Primary Examiner—B. J. Bullock

Attorney, Agent, or Firm—Mark D. Hilliard; Robert A. McCann; Michael J. Turgeon

[57] CLAIM

The ornamental design for a cable manager ring, as shown and described.

DESCRIPTION

FIG. 1 is a front perspective view of a large cable manager ring;

FIG. 2 is a rear perspective view of the large cable manager ring of FIG. 1;

FIG. 3 is a right side view of the large cable manager ring of FIG. 1;

FIG. 4 is a left side view of the large cable manager ring of FIG. 1;

FIG. 5 is a front view of the large cable manager ring of FIG. 1;

FIG. 6 is a rear view of the large cable manager ring of FIG. 1;

FIG. 7 is a top view of the large cable manager ring of FIG. 1;

FIG. 8 is a bottom view of the large cable manager ring of FIG. 1;

FIG. 9 is a front perspective view of a small cable manager ring;

FIG. 10 is a rear perspective view of the small cable manager ring of FIG. 9;

FIG. 11 is a right side view of the small cable manager ring of FIG. 9;

FIG. 12 is a left side view of the small cable manager ring of FIG. 9;

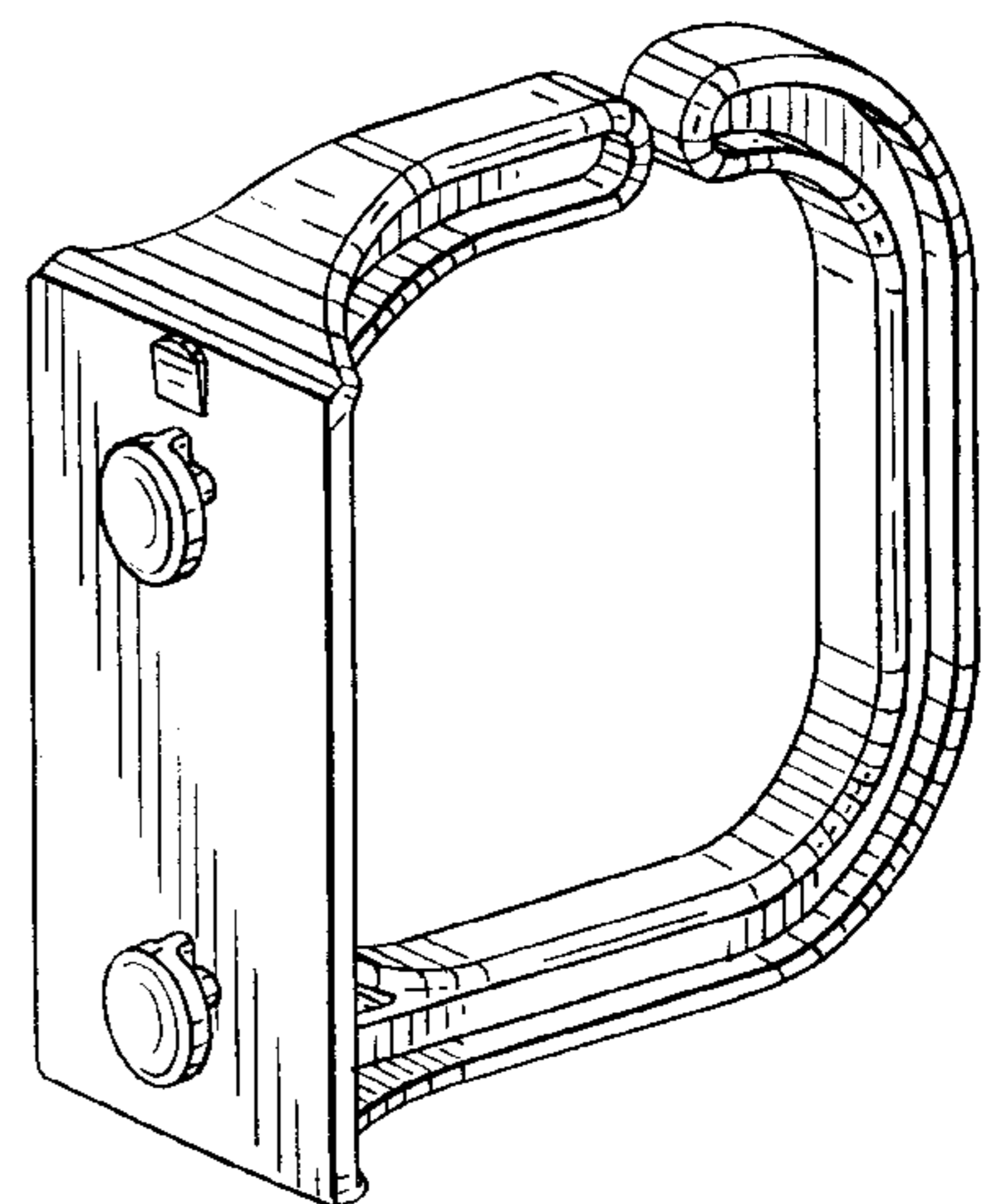
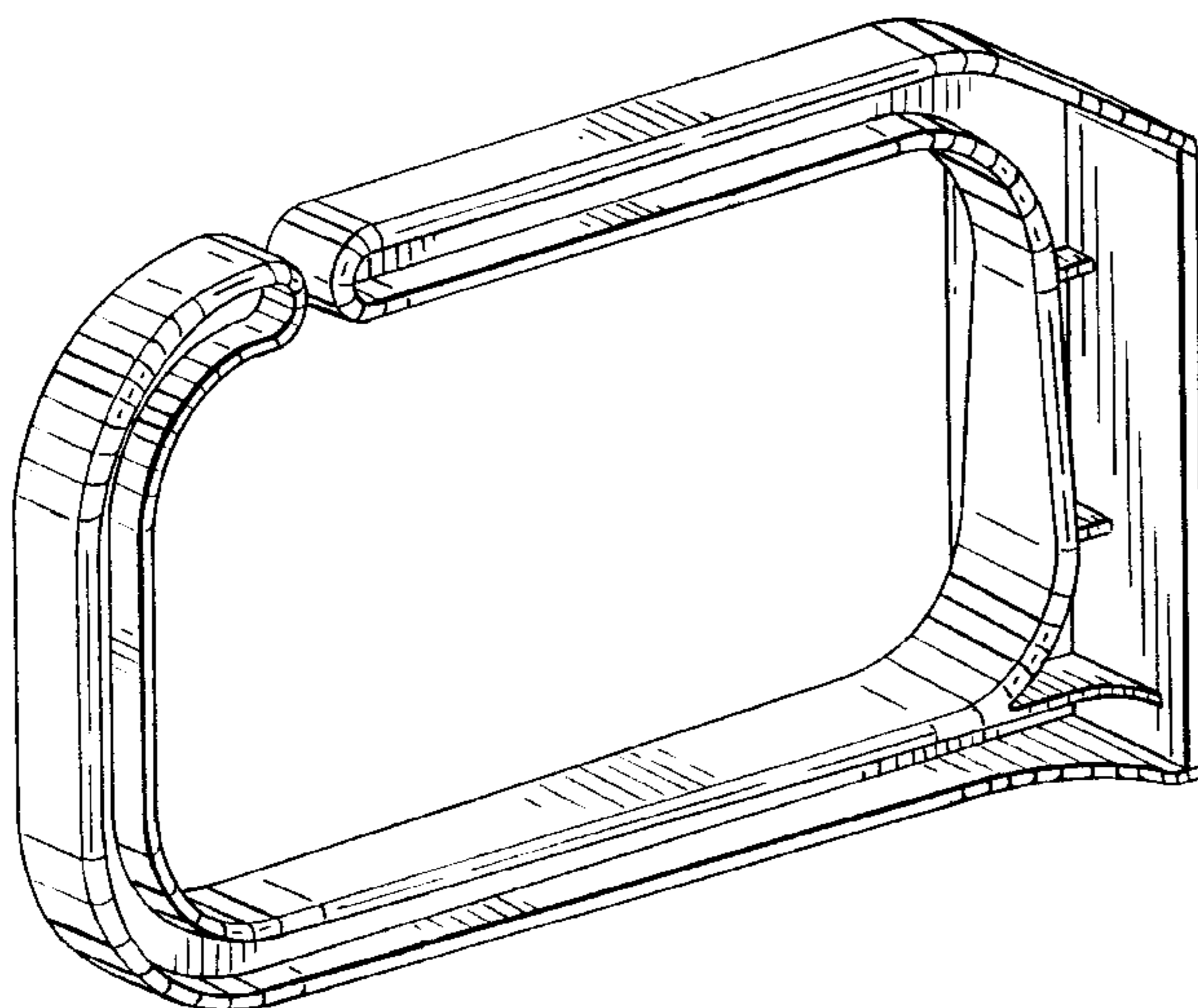
FIG. 13 is a front view of the small cable manager ring of FIG. 9;

FIG. 14 is a rear view of the small cable manager ring of FIG. 9;

FIG. 15 is a top view of the small cable manager ring of FIG. 9; and,

FIG. 16 is a bottom view of the small cable manager ring of FIG. 9.

1 Claim, 6 Drawing Sheets



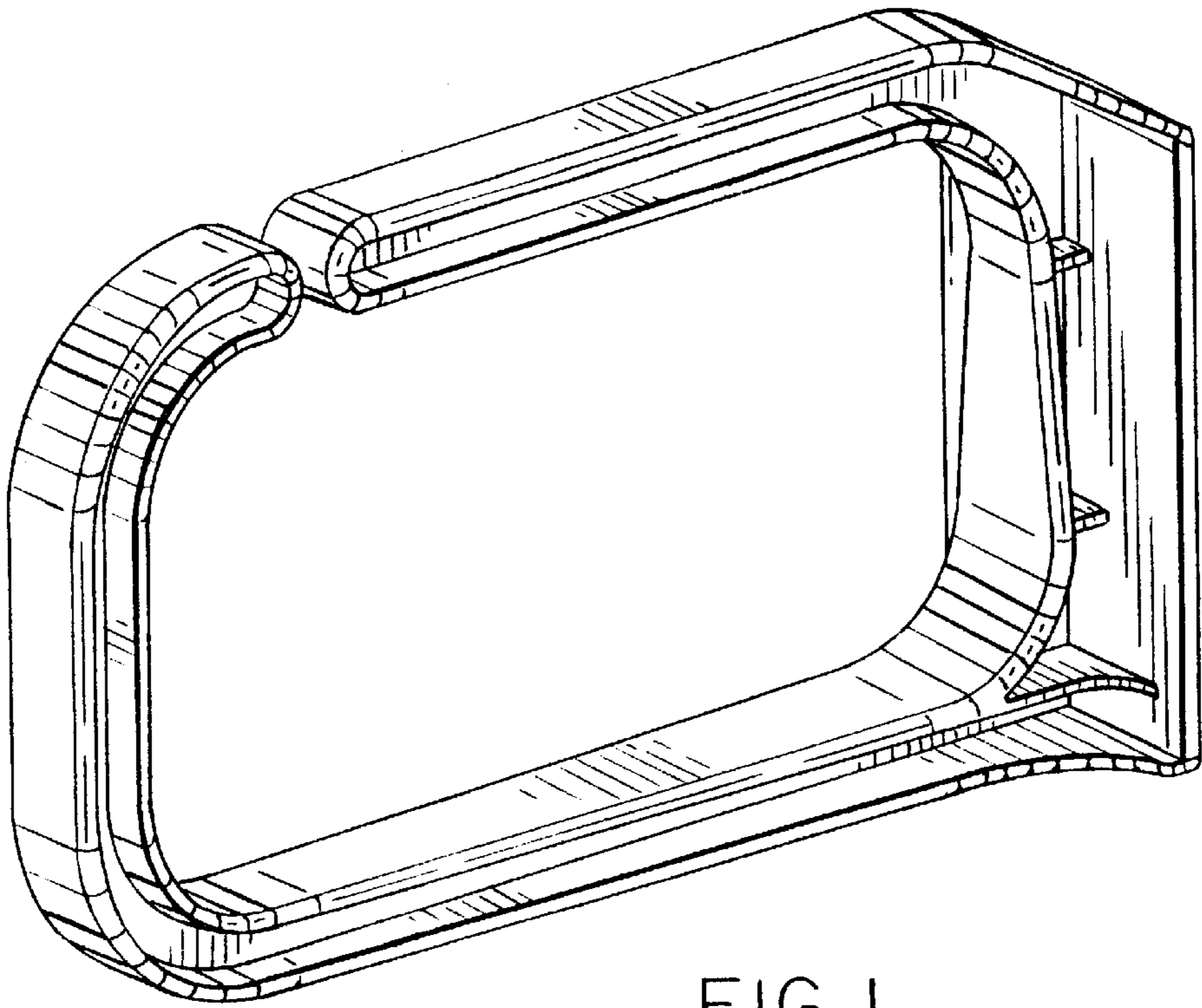


FIG. 1

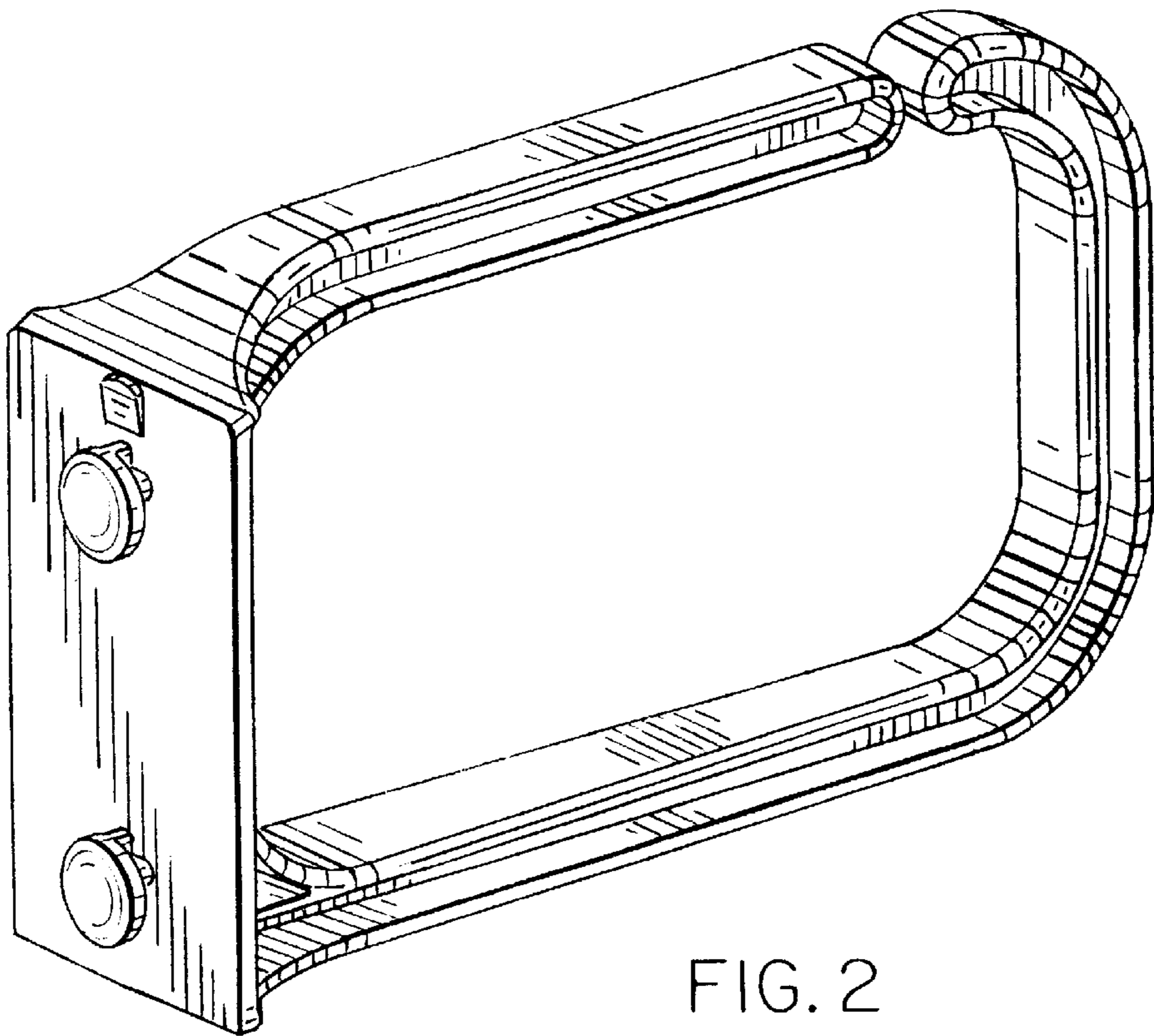


FIG. 2

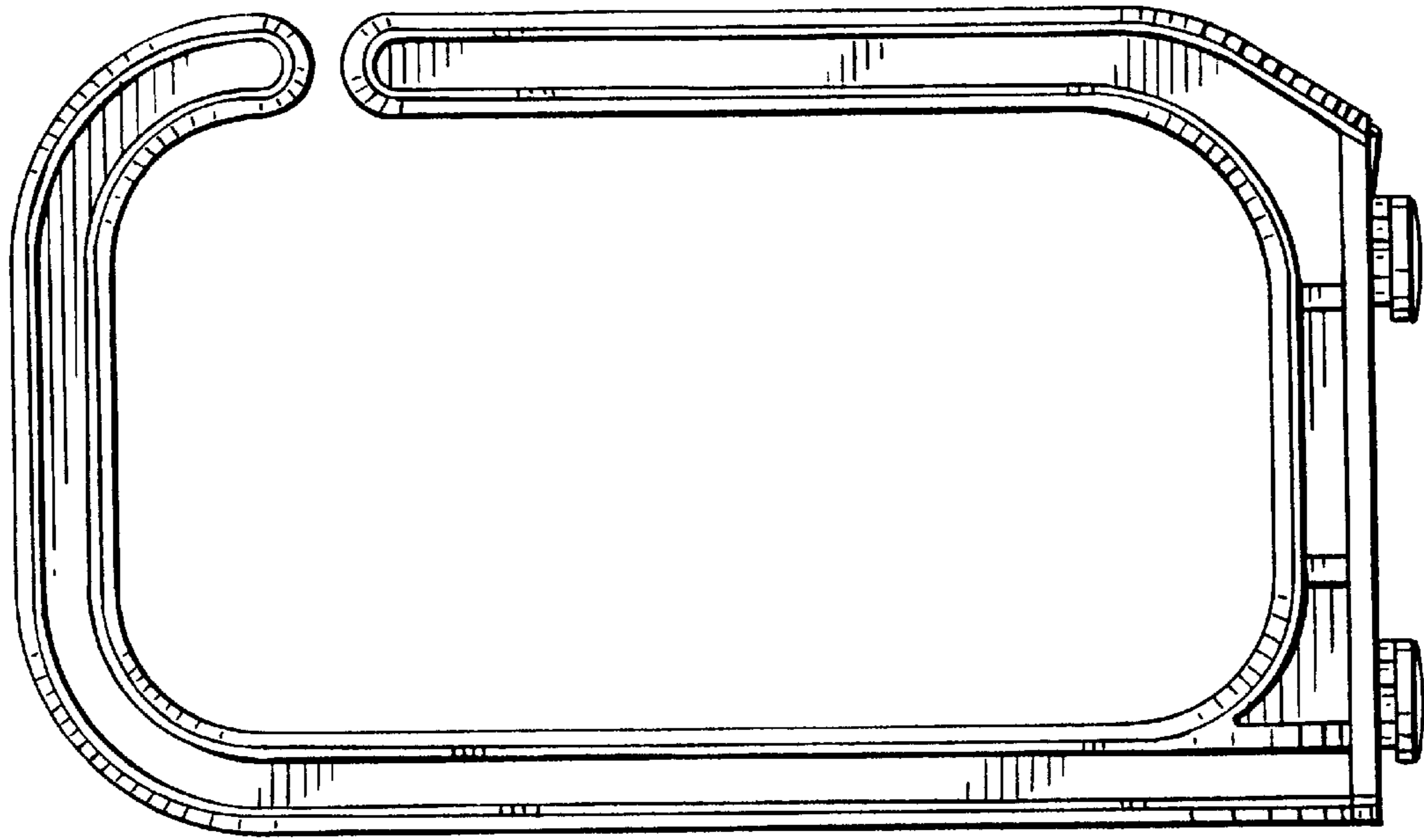


FIG. 3

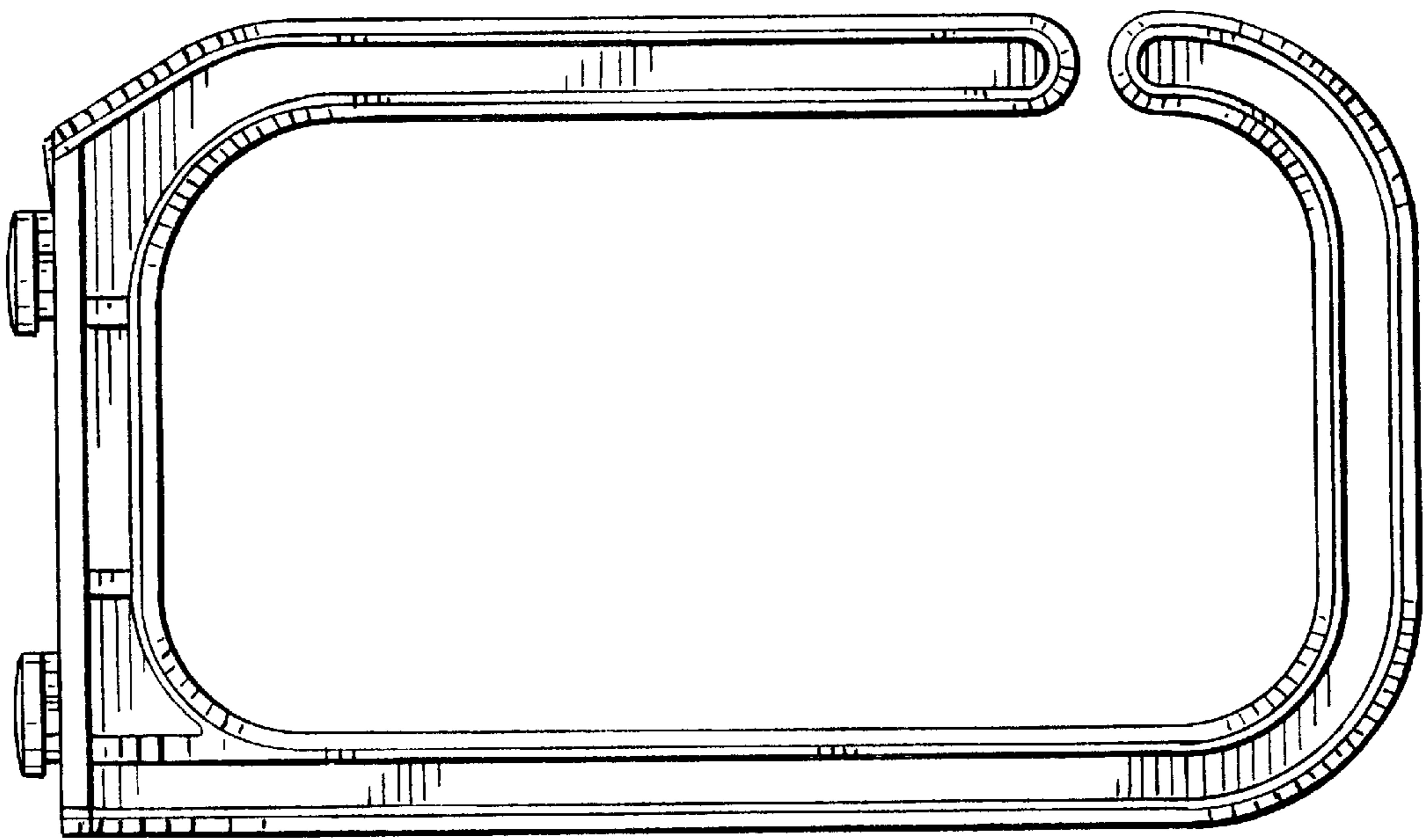


FIG. 4

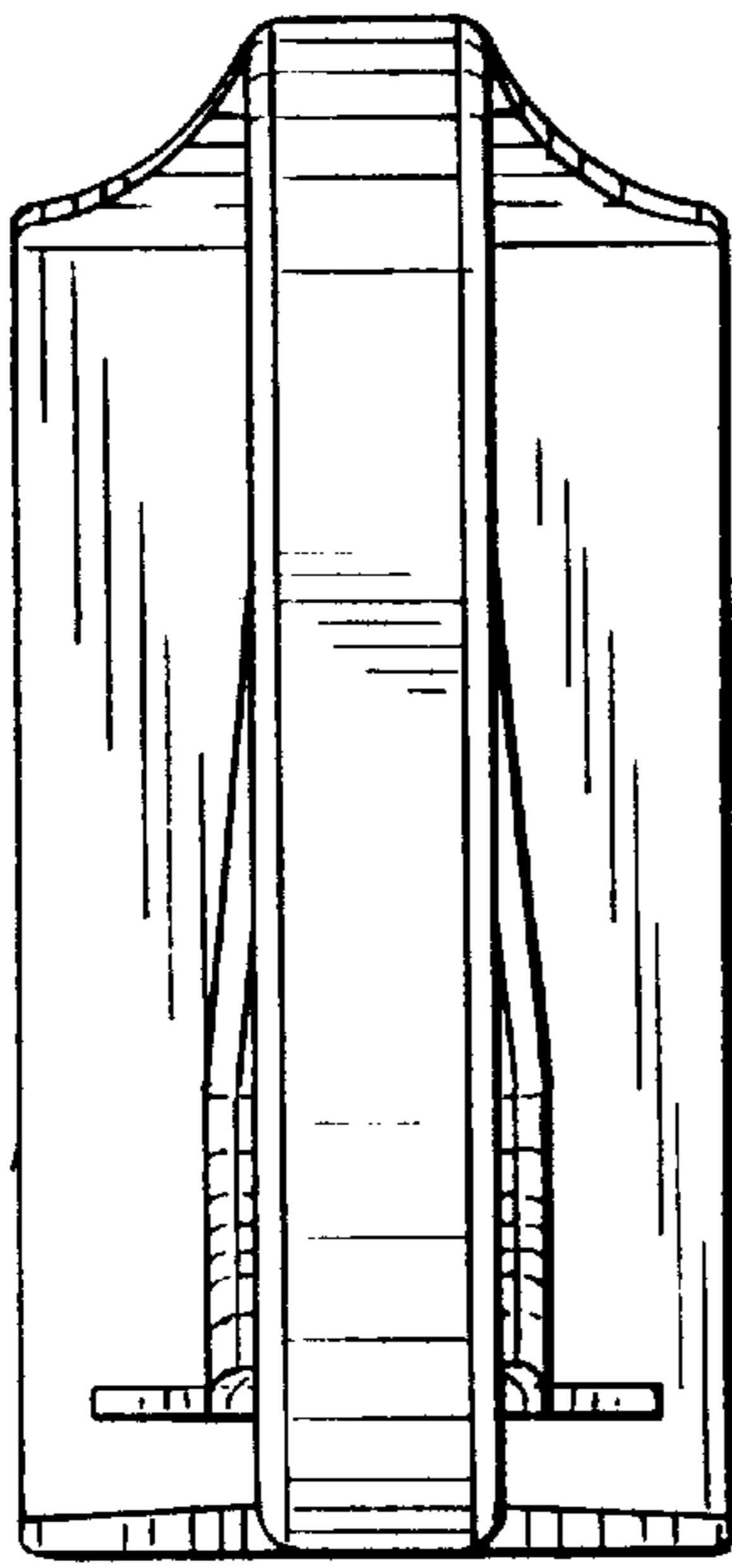


FIG. 5

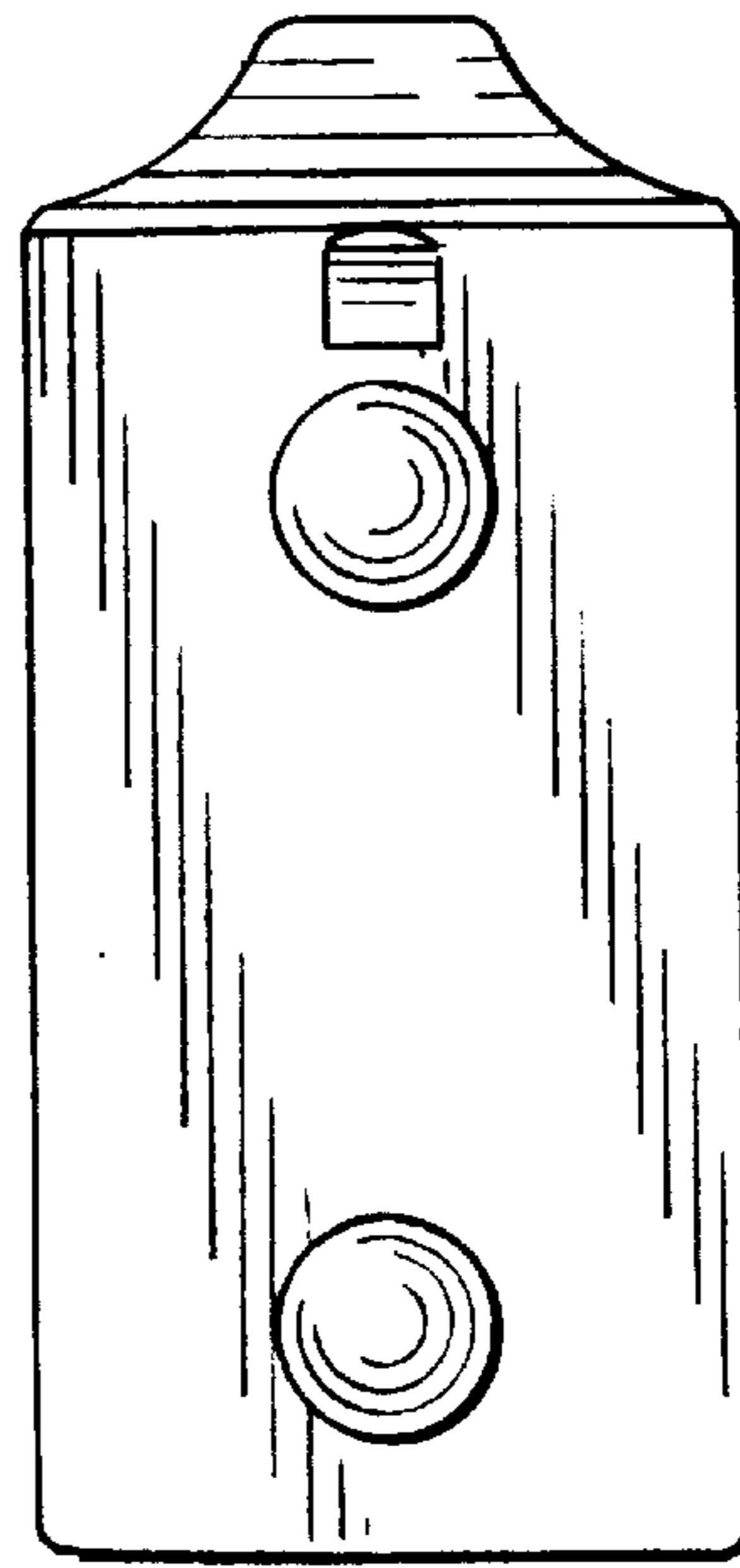


FIG. 6

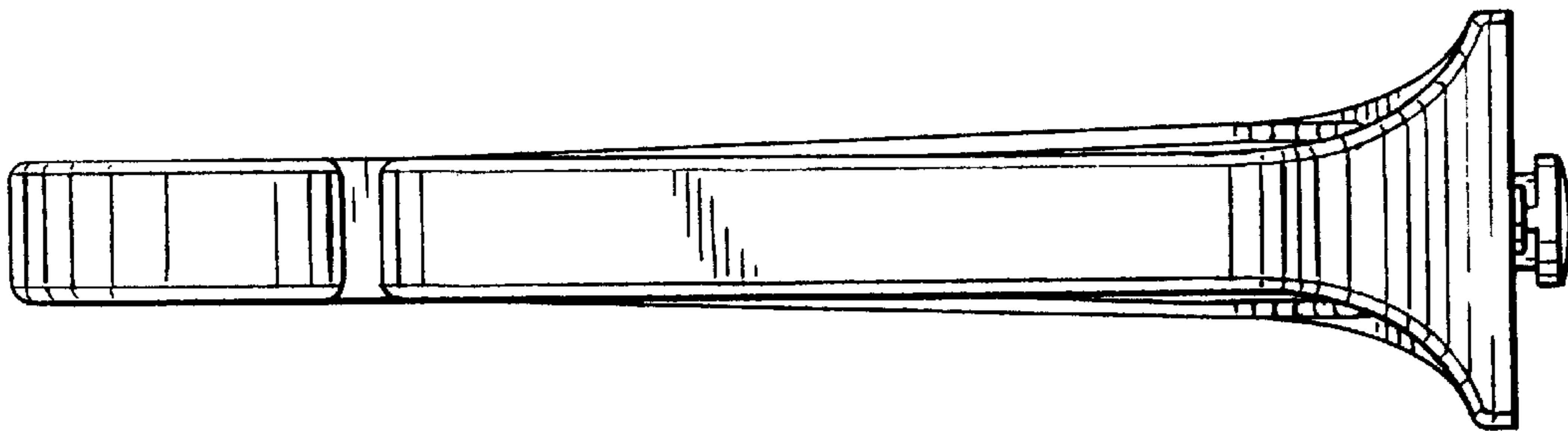


FIG. 7

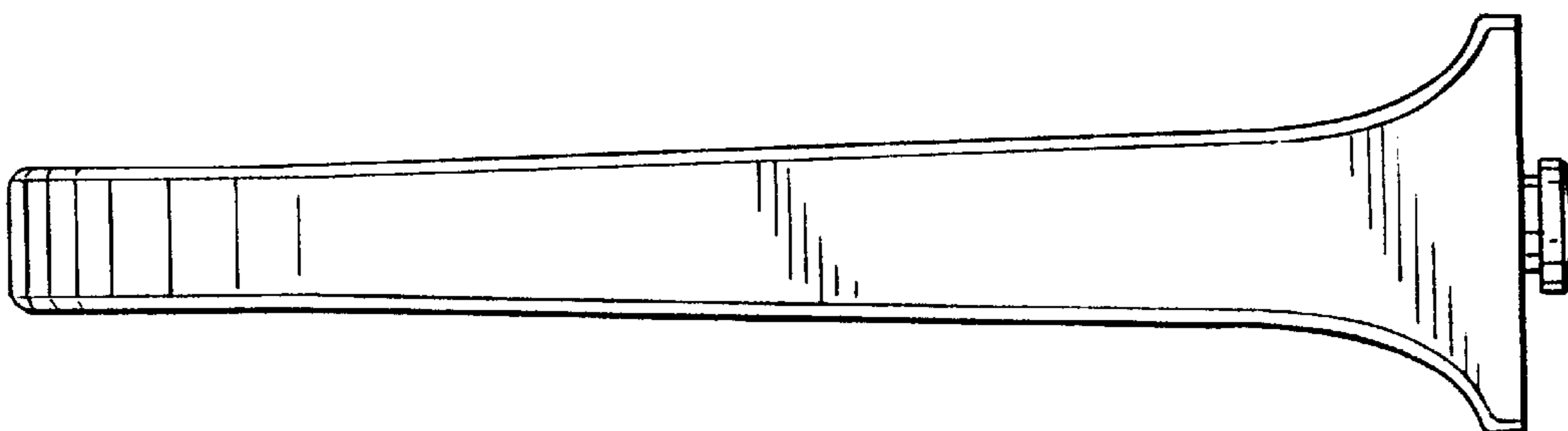


FIG. 8

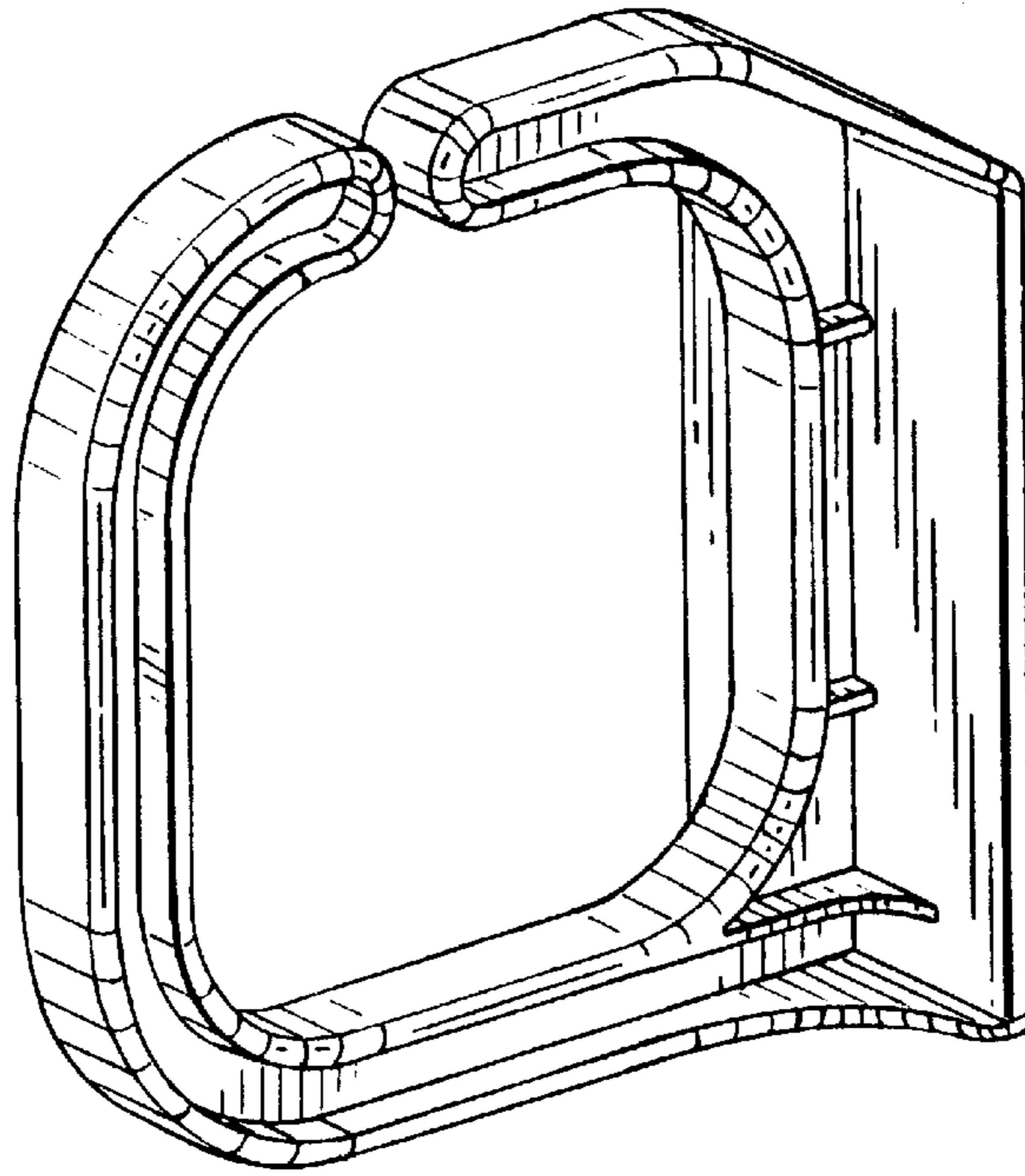


FIG. 9

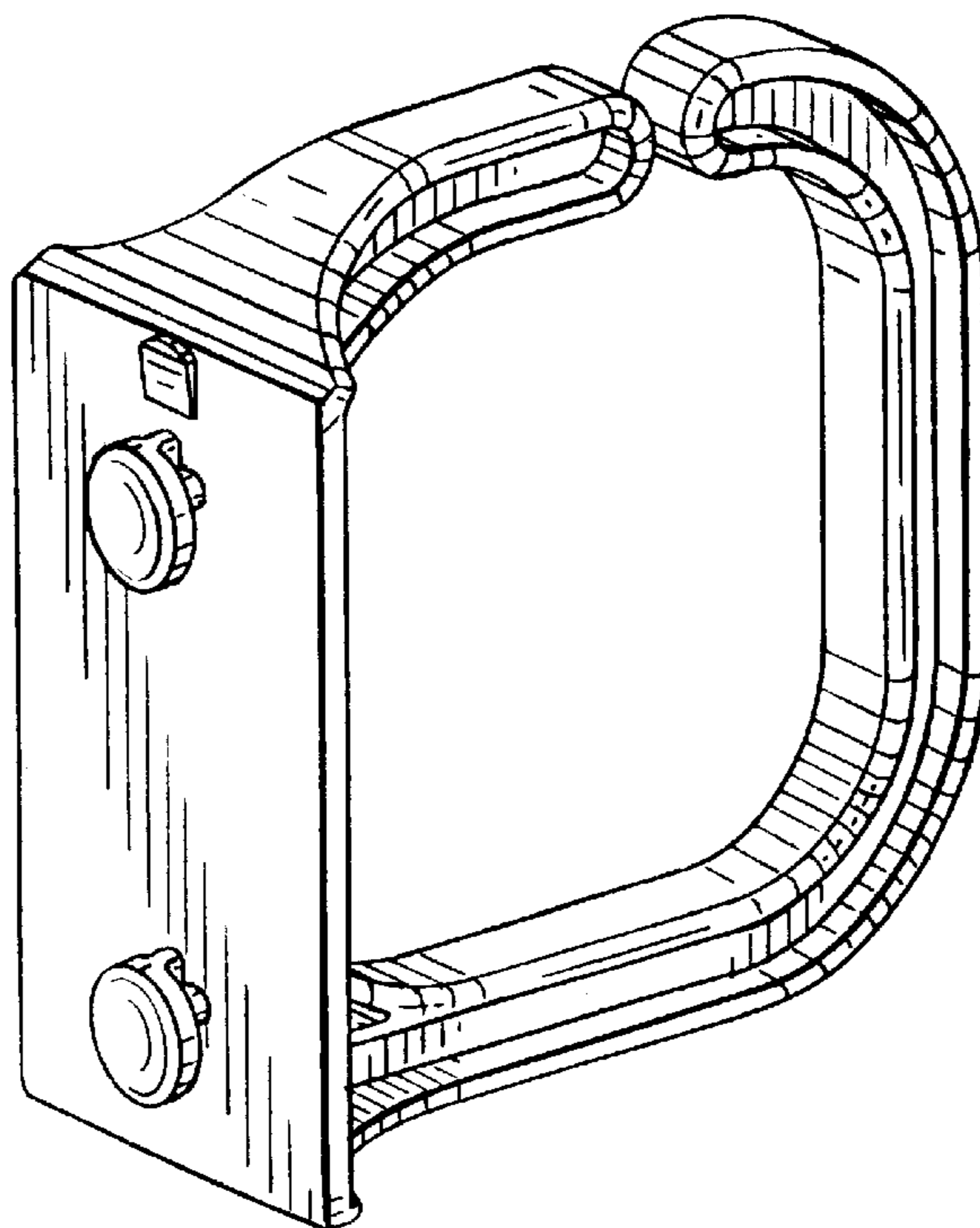


FIG. 10

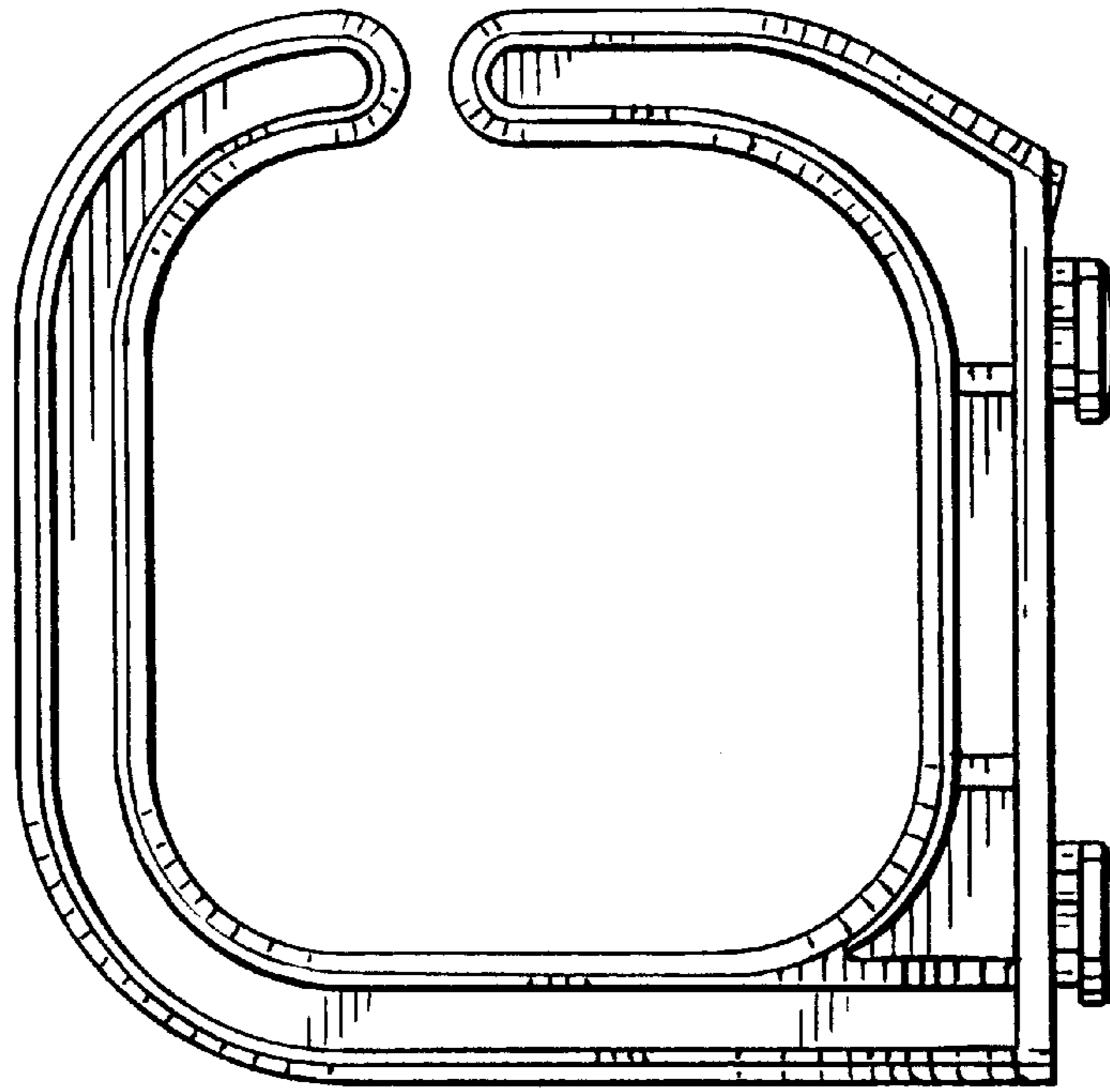


FIG. II

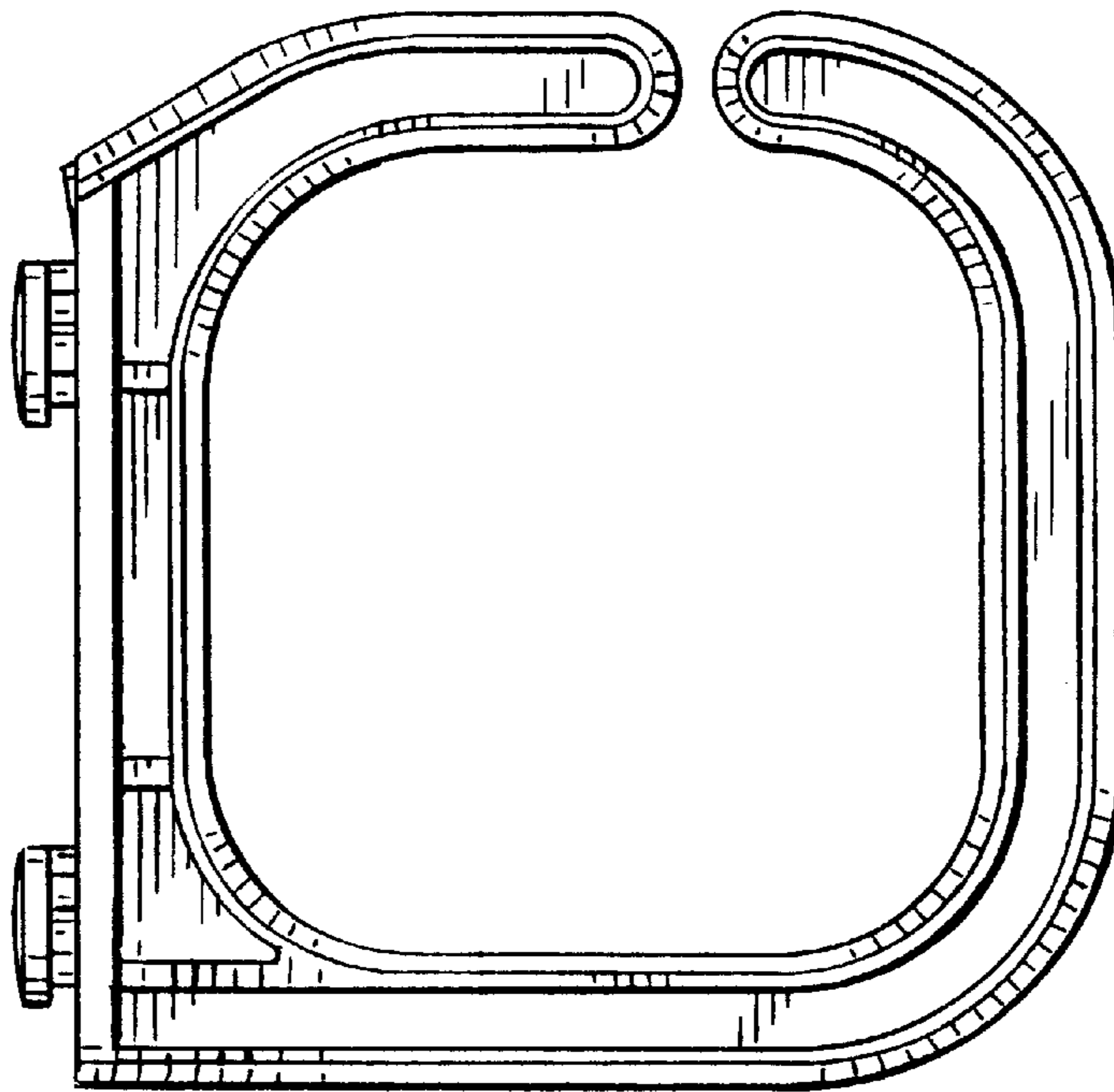


FIG. 12

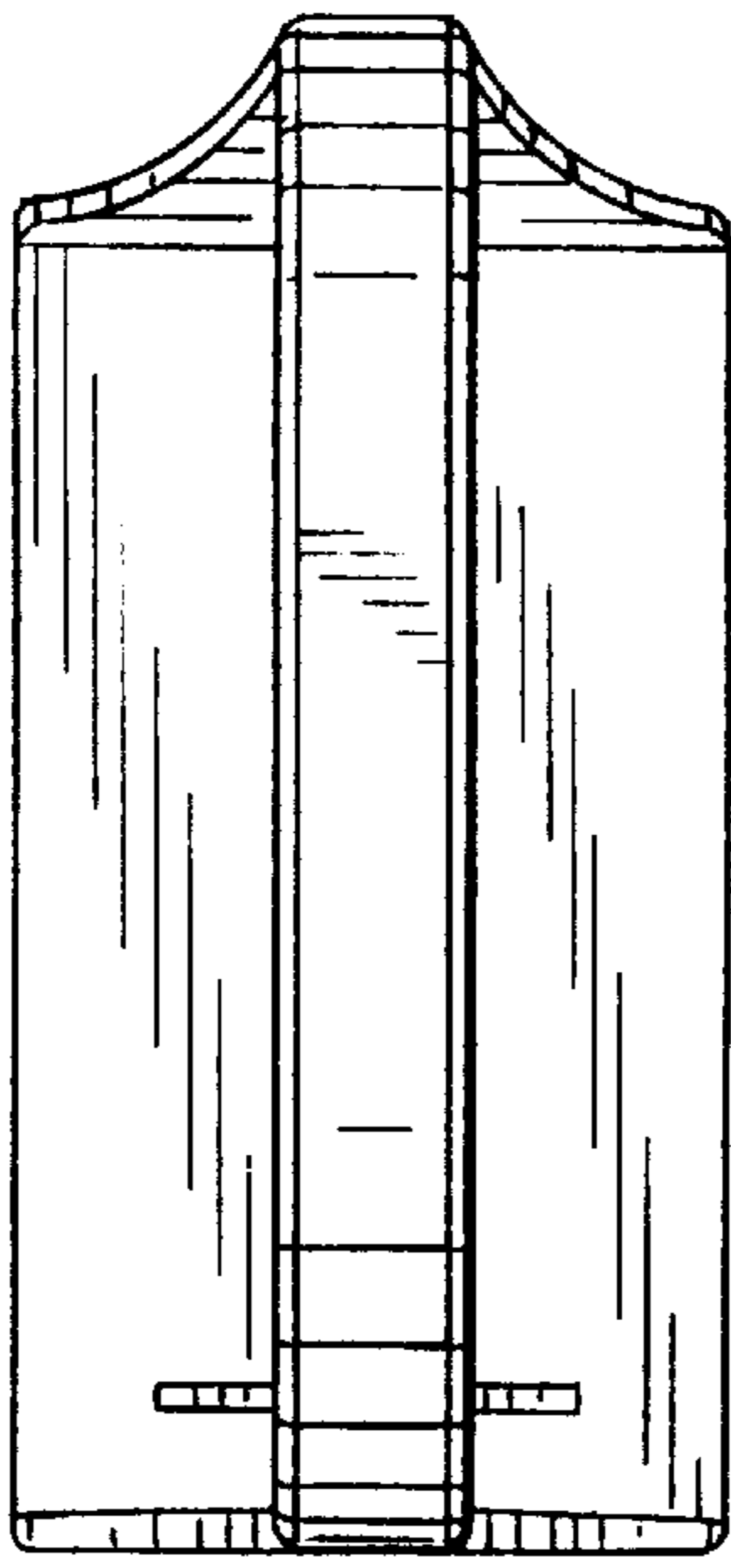


FIG. 13

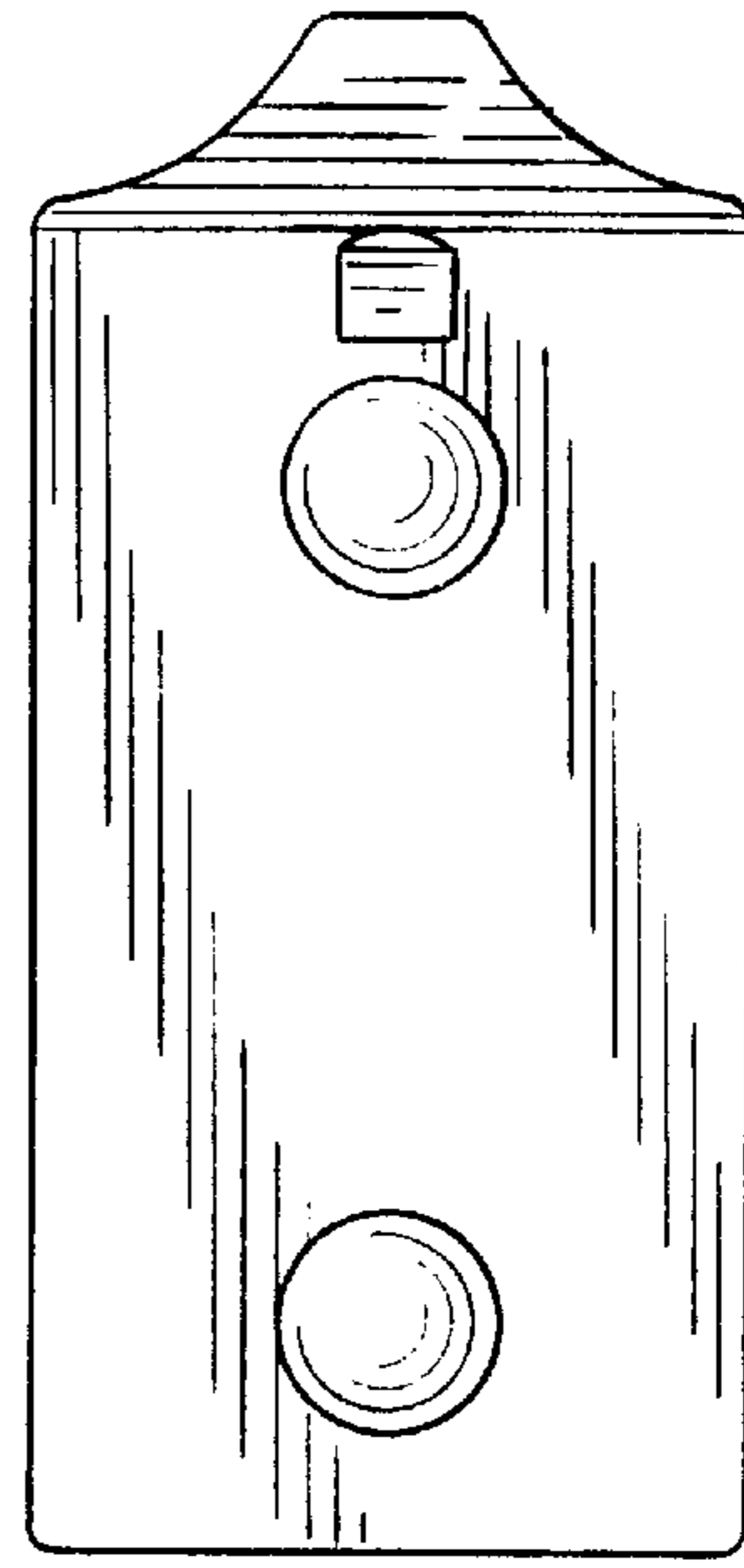


FIG. 14

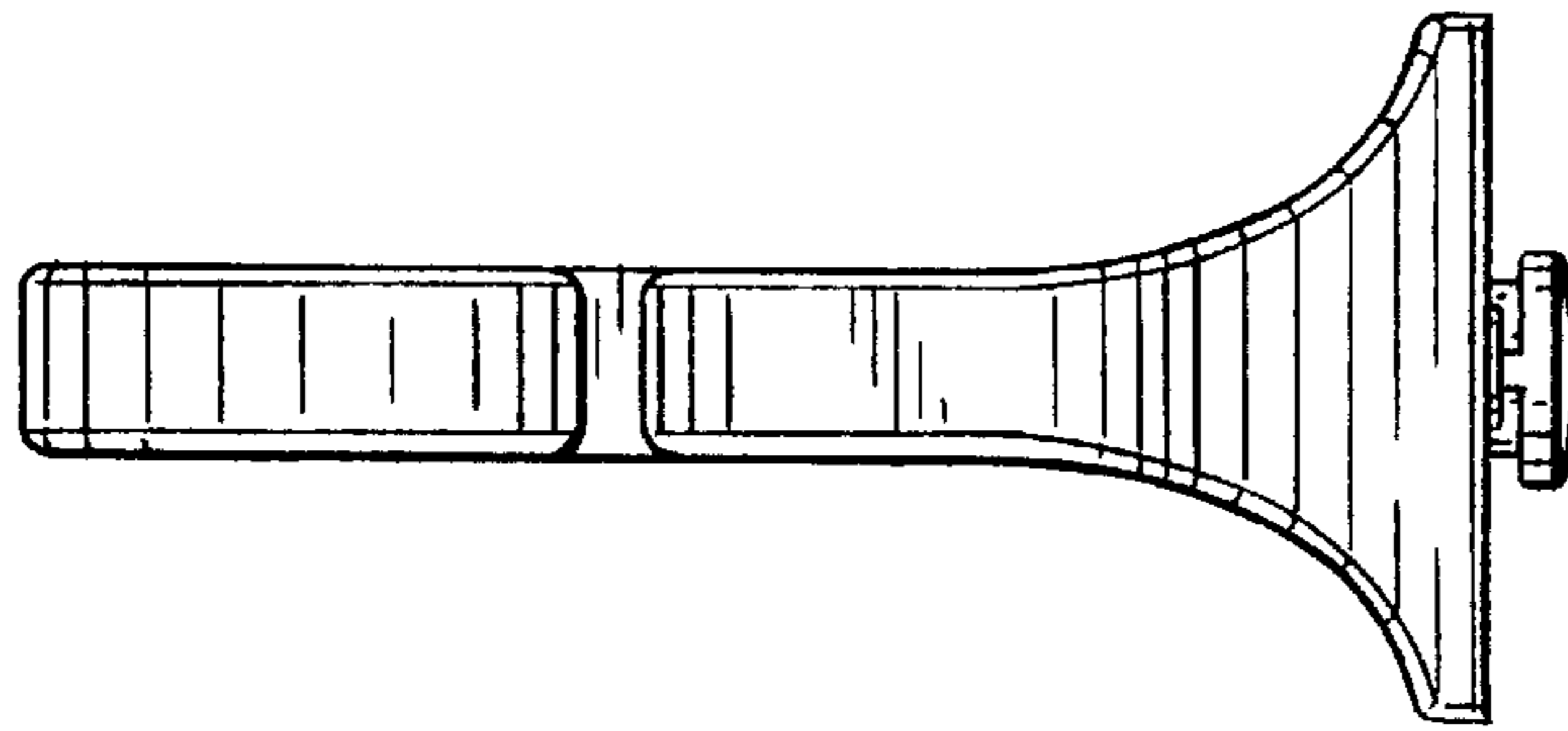


FIG. 15

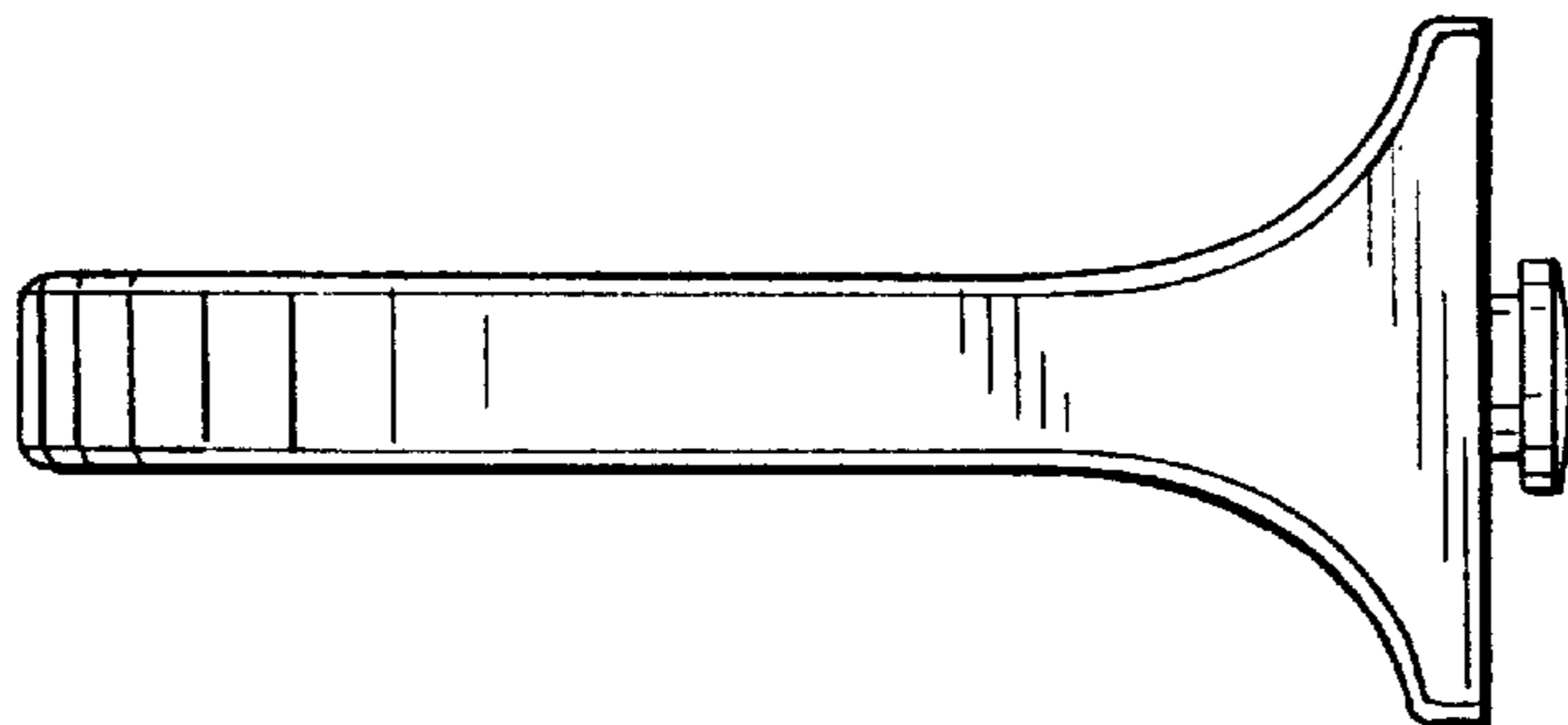


FIG. 16