



US00D411734S

United States Patent [19] Hsiang

[11] **Patent Number: Des. 411,734**

[45] **Date of Patent: ** Jun. 29, 1999**

[54] **CABLE AND PHONE JACK OUTLET PANEL**

D. 399,829 10/1998 Reed D13/156
4,688,747 8/1987 Helmsdorfer et al. 220/241 X

[75] Inventor: **Tzu-Yen Hsiang**, Taipei, Taiwan

[73] Assignee: **Lantek Electronics, Inc.**, Taipei, Taiwan

[**] Term: **14 Years**

Primary Examiner—Joel Sincavage
Attorney, Agent, or Firm—Smith, Gambrell & Russell, LLP;
Beveridge, DeGrandi, Weilacher & Young Intellectual
Property Group

[21] Appl. No.: **29/088,583**

[22] Filed: **May 28, 1998**

[57] **CLAIM**

The ornamental design for a cable and phone jack outlet panel, as shown and described.

[51] **LOC (6) Cl.** **11-05**

[52] **U.S. Cl.** **D8/353; D13/154**

[58] **Field of Search** D13/154, 156;
D8/353; 439/135; 174/66, 67; 220/241

DESCRIPTION

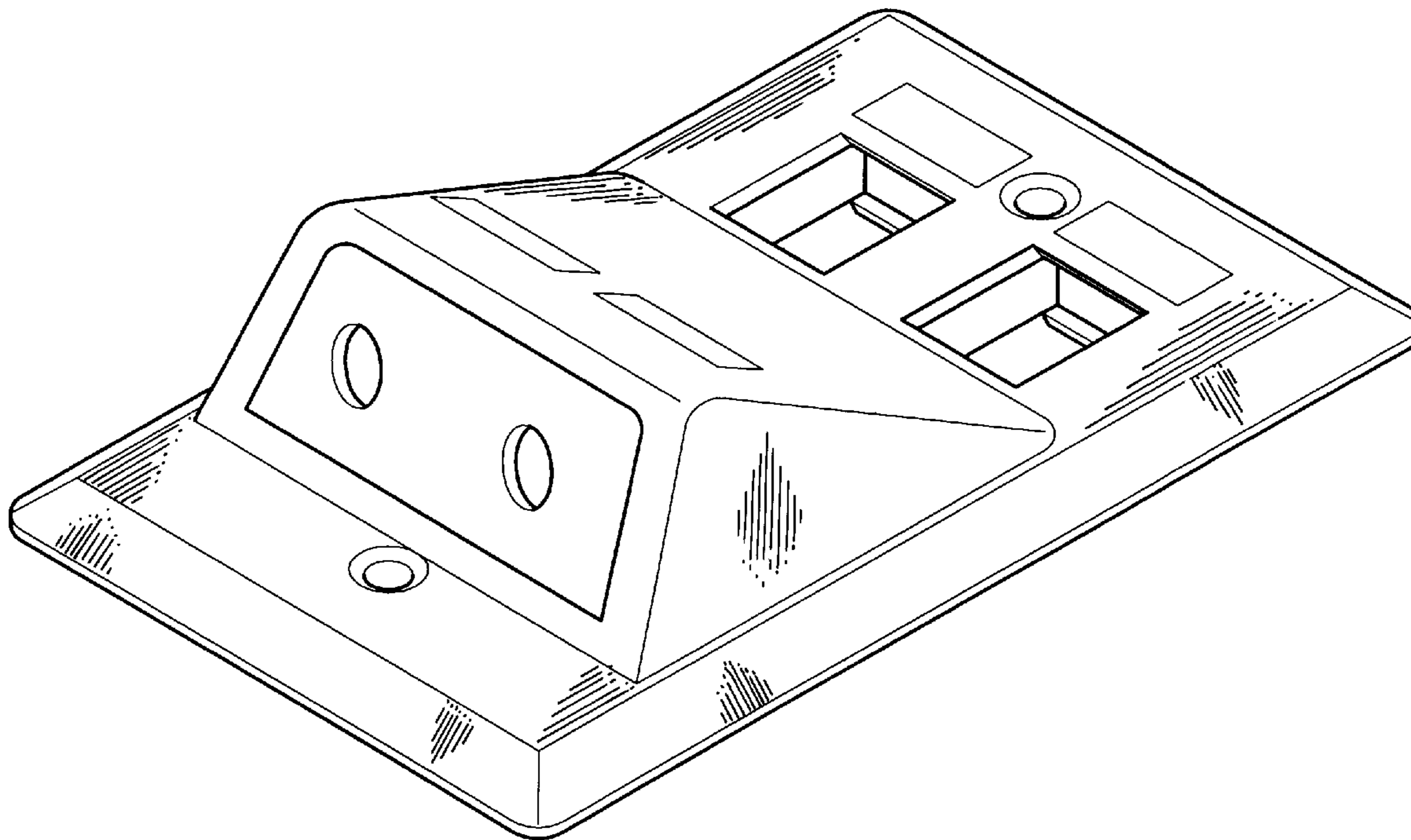
FIG. 1 is a perspective view of a cable & phone jack outlet panel showing my new design;
FIG. 2 is a left side elevational view thereof;
FIG. 3 is a right side elevational view thereof;
FIG. 4 is a front view thereof; the rear view is symmetrical to the front view;
FIG. 5 is a top view thereof; and,
FIG. 6 is a bottom view thereof.

[56] **References Cited**

U.S. PATENT DOCUMENTS

D. 308,464 6/1990 Freeman et al. D8/353
D. 369,953 5/1996 Carr D8/353 X
D. 374,809 10/1996 Scherer et al. D8/353

1 Claim, 5 Drawing Sheets



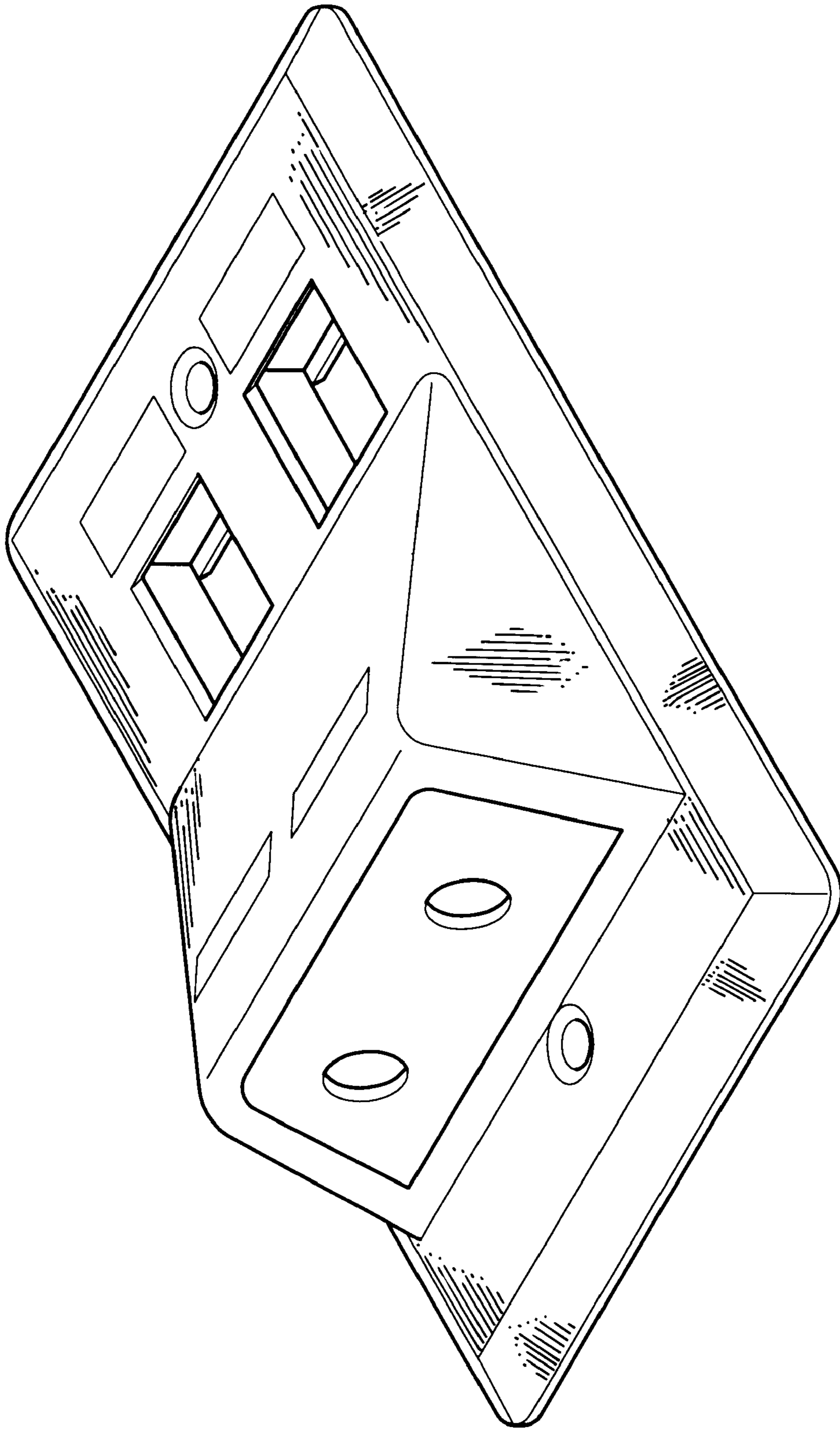


FIG-1

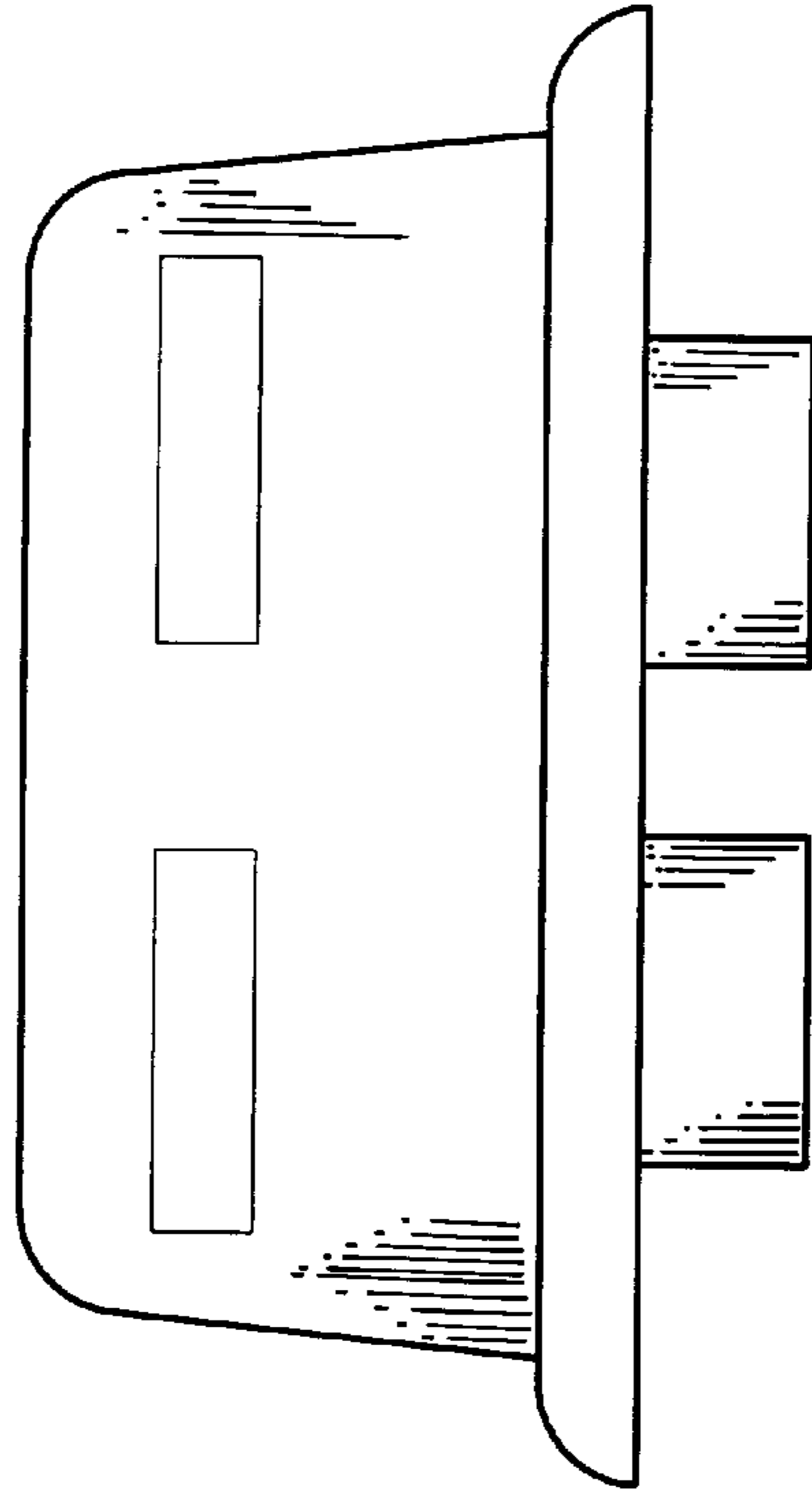


FIG-3

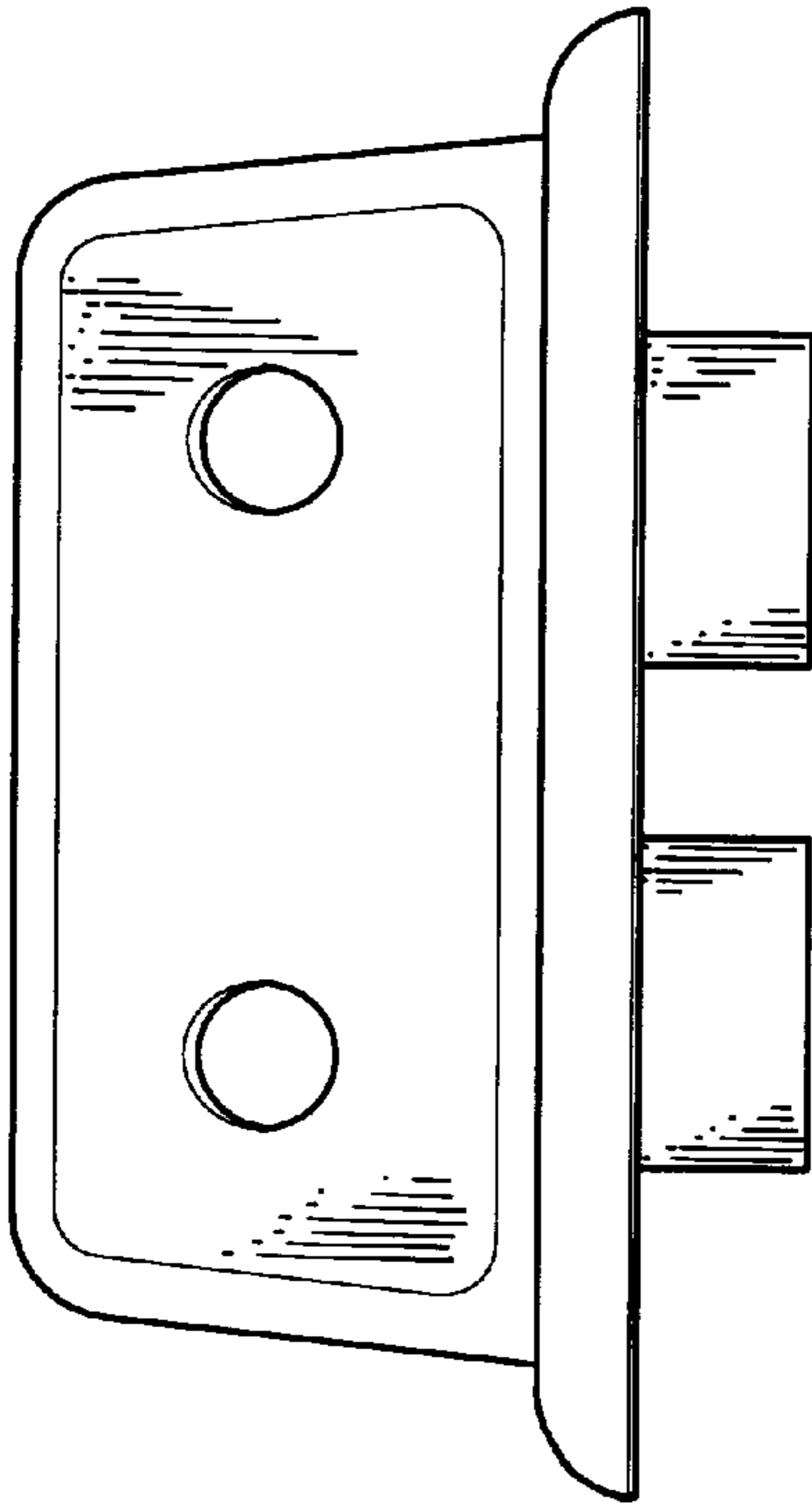


FIG-2

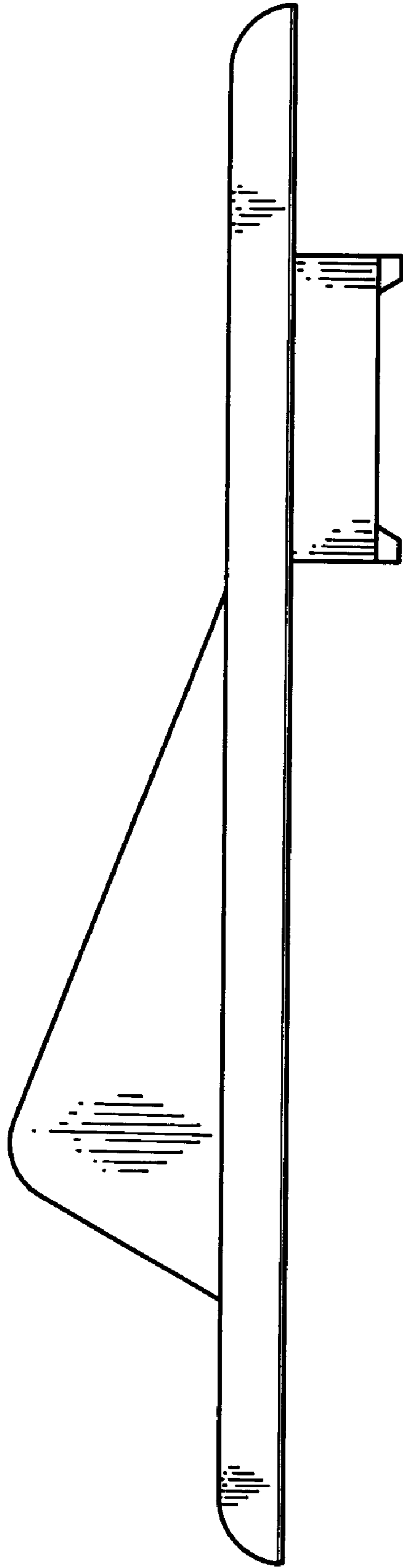


FIG-4

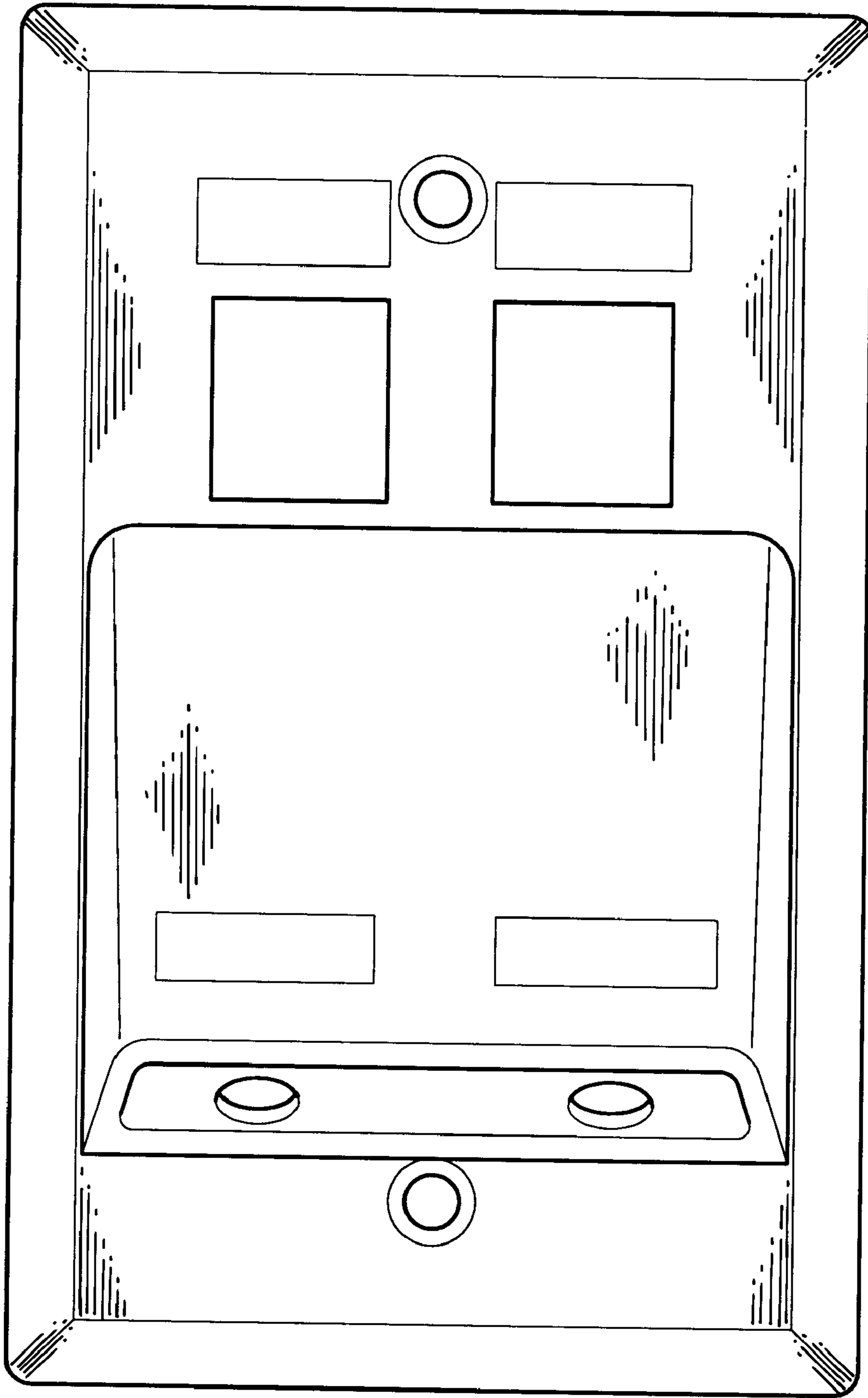


FIG-5

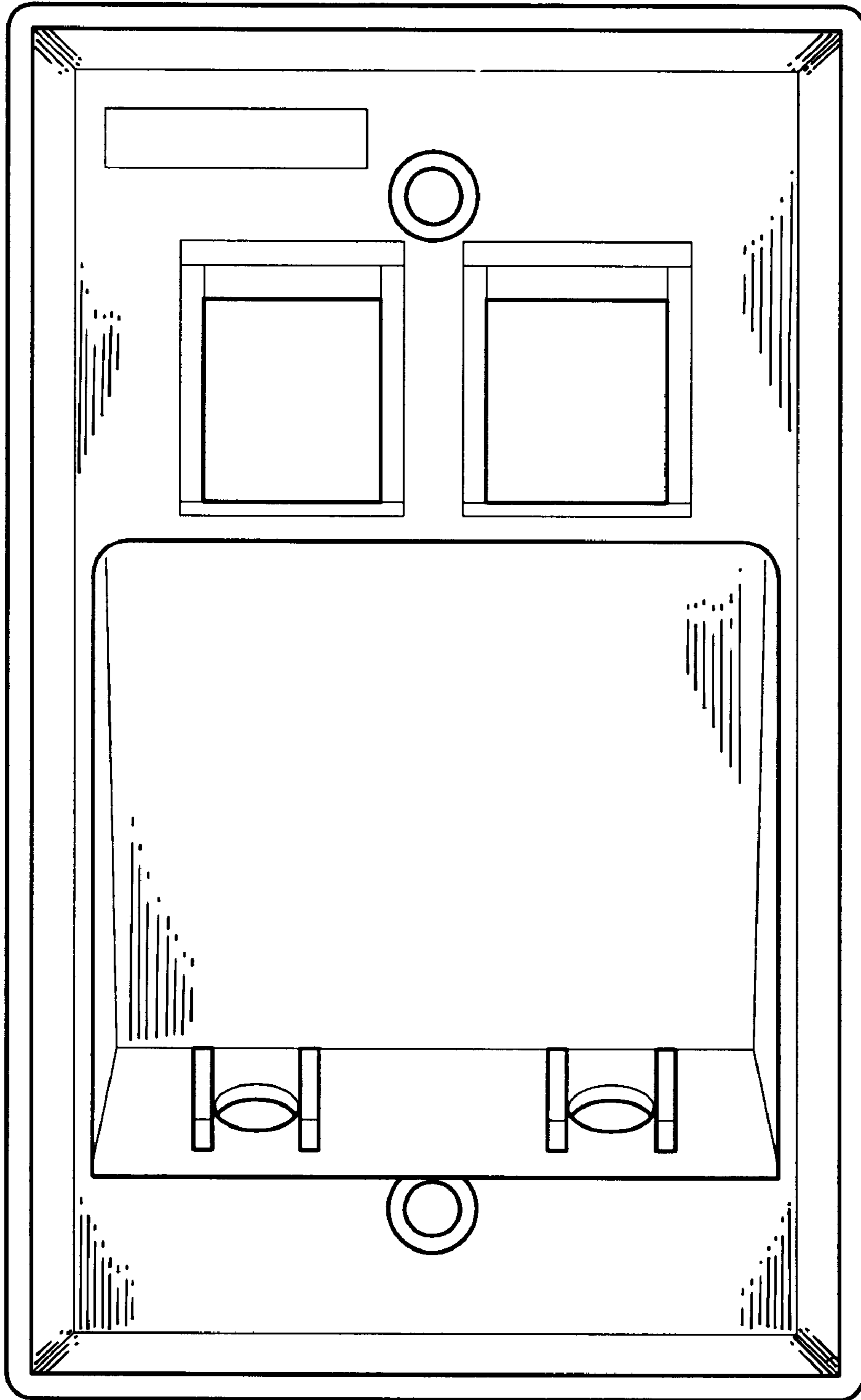


FIG-6