



US00D411733S

United States Patent [19] Lin

[11] **Patent Number: Des. 411,733**

[45] **Date of Patent: ** Jun. 29, 1999**

[54] **FACEPLATE**

Attorney, Agent, or Firm—Christie, Parker & Hale, LLP

[75] Inventor: **Mike H. Lin**, Cerritos, Calif.

[57] **CLAIM**

[73] Assignee: **International Connectors and Cable Corporation**, Cerritos, Calif.

I claim the ornamental design for a faceplate, as shown and described.

[**] Term: **14 Years**

DESCRIPTION

[21] Appl. No.: **29/085,498**

FIG. 1 is a front perspective view of the faceplate of the present invention;

[22] Filed: **Mar. 24, 1998**

FIG. 2 is a front view of the faceplate of FIG. 1;

[51] **LOC (6) Cl.** **11-05**

FIG. 3 is a left side view thereof with the right side view being a mirror image thereof;

[52] **U.S. Cl.** **D8/353**

[58] **Field of Search** D8/358, 353; D13/177;
40/611, 642.02; 220/241; 174/66; 439/491,
536

FIG. 4 is a bottom view thereof with the top view being a mirror image thereof;

FIG. 5 is a front perspective view of a first alternative embodiment of the faceplate of the present invention;

[56] **References Cited**

FIG. 6 is a front view of the faceplate of FIG. 5;

U.S. PATENT DOCUMENTS

FIG. 7 is a left side view thereof with the right side view being a mirror image thereof;

| | | | | |
|------------|---------|----------------|-------|---------|
| D. 348,825 | 7/1994 | Below | | D8/353 |
| D. 360,352 | 7/1995 | House et al. | | D8/353 |
| D. 371,540 | 7/1996 | Siemon et al. | | D13/146 |
| D. 387,330 | 12/1997 | Danchulis | | D8/353 |
| 3,199,063 | 8/1965 | Stuart | . | |
| 5,594,206 | 1/1997 | Klas et al. | | 174/66 |
| 5,613,874 | 3/1997 | Orlando et al. | | 439/491 |
| 5,770,817 | 6/1998 | Lo | | 174/66 |

FIG. 8 is a bottom view thereof with the top view being a mirror image thereof;

FIG. 9 is a front perspective view of a second alternative embodiment of the faceplate of the present invention.

FIG. 10 is a front view of the faceplate of FIG. 9;

FIG. 11 is a left side view thereof with the right side view being a mirror image thereof; and,

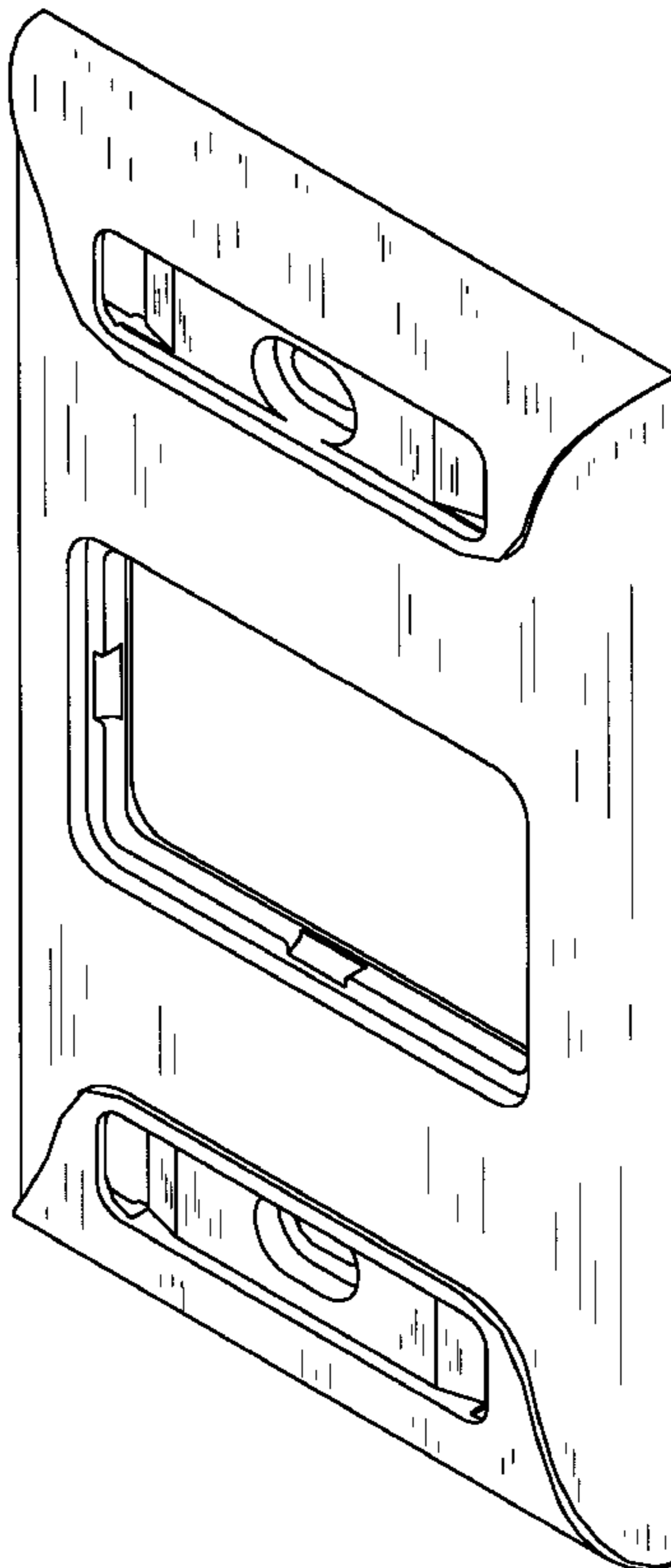
FIG. 12 is a bottom view thereof with the top view being a mirror image thereof.

OTHER PUBLICATIONS

Six pages of drawings of Surface Mount Box available to public more than one year prior to the filing date.

Primary Examiner—B. J. Bullock

1 Claim, 9 Drawing Sheets



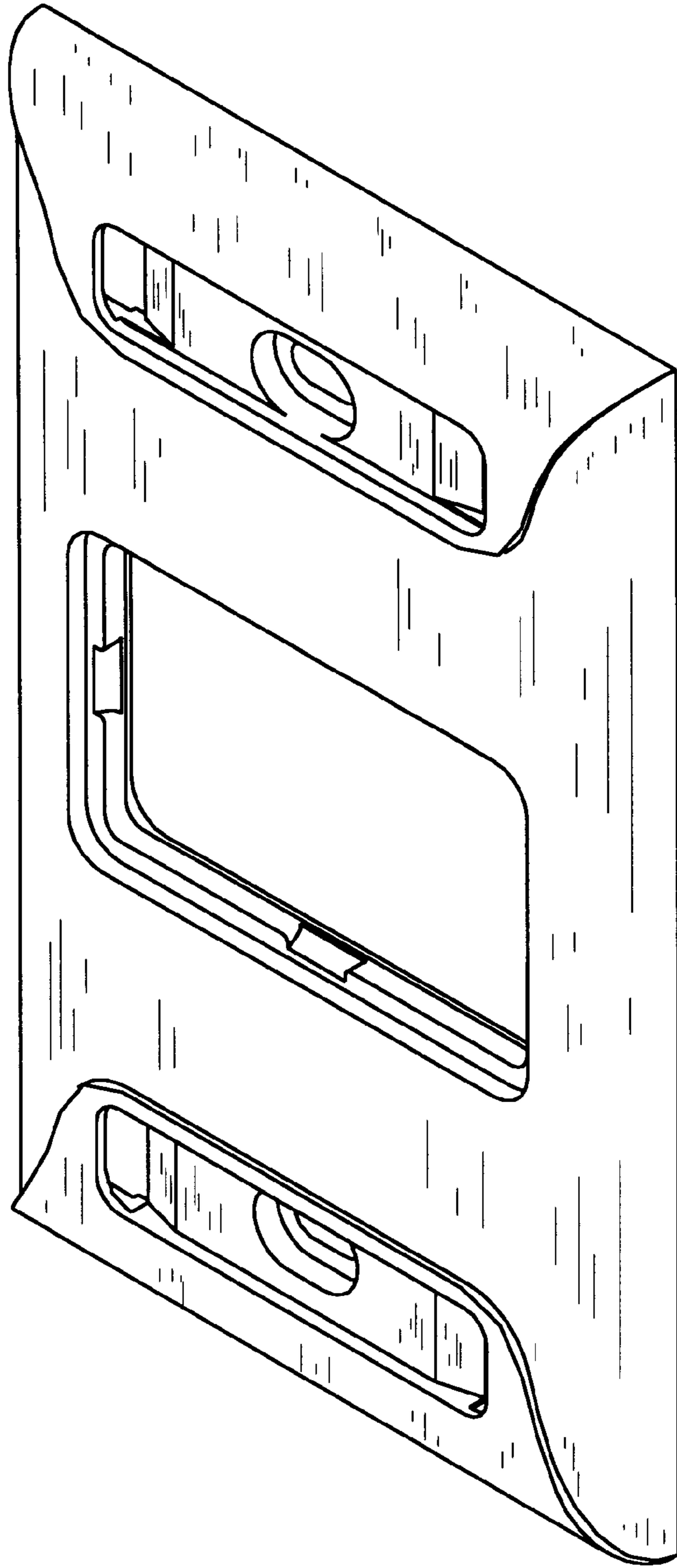


FIG. 1

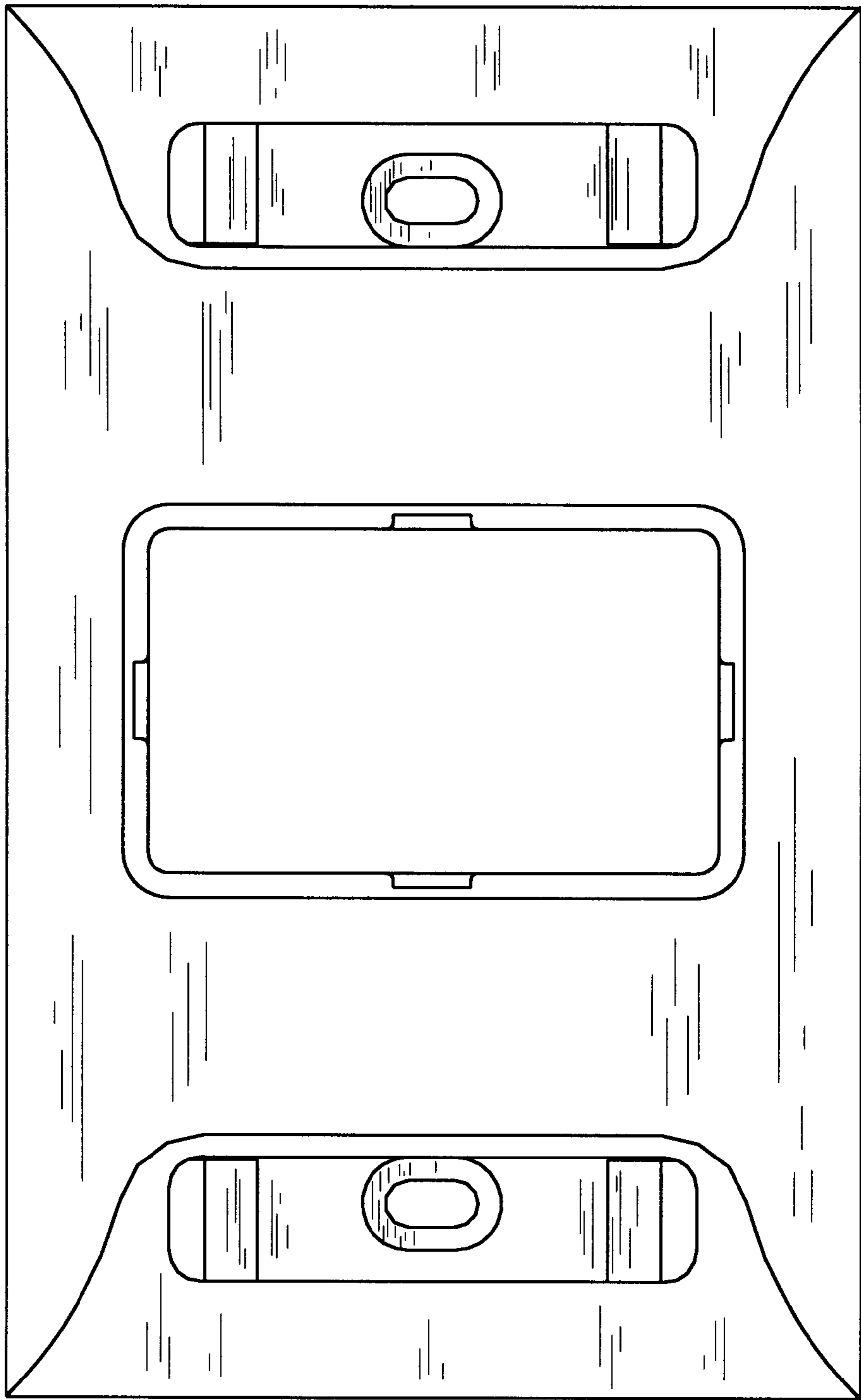


FIG. 2

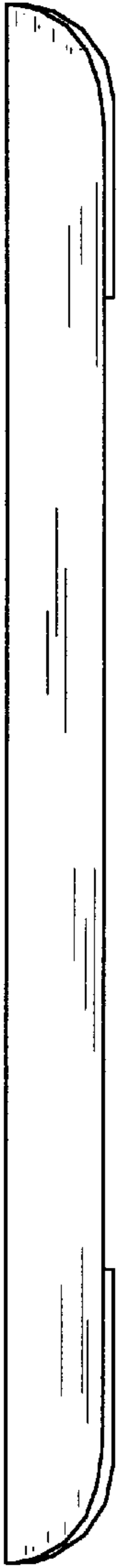


FIG. 3



FIG. 4

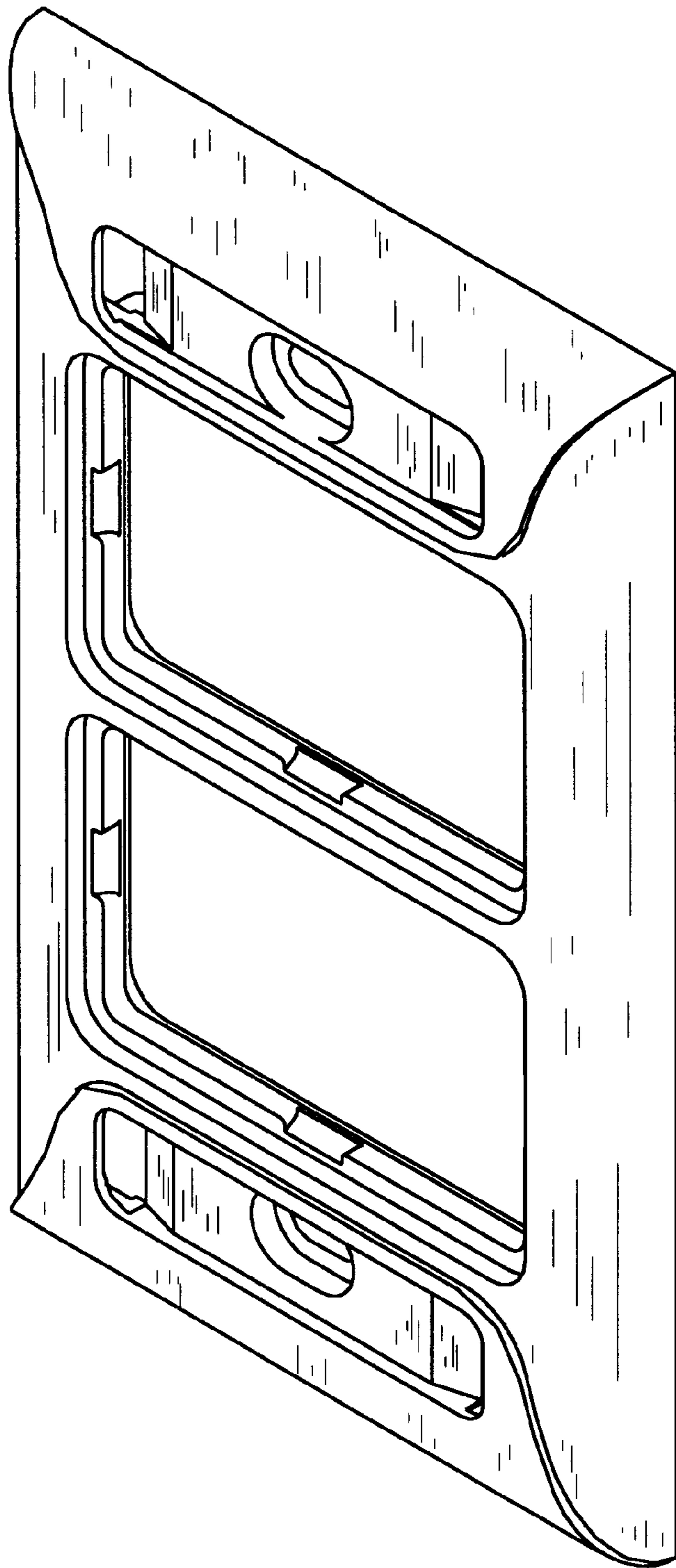


FIG. 5

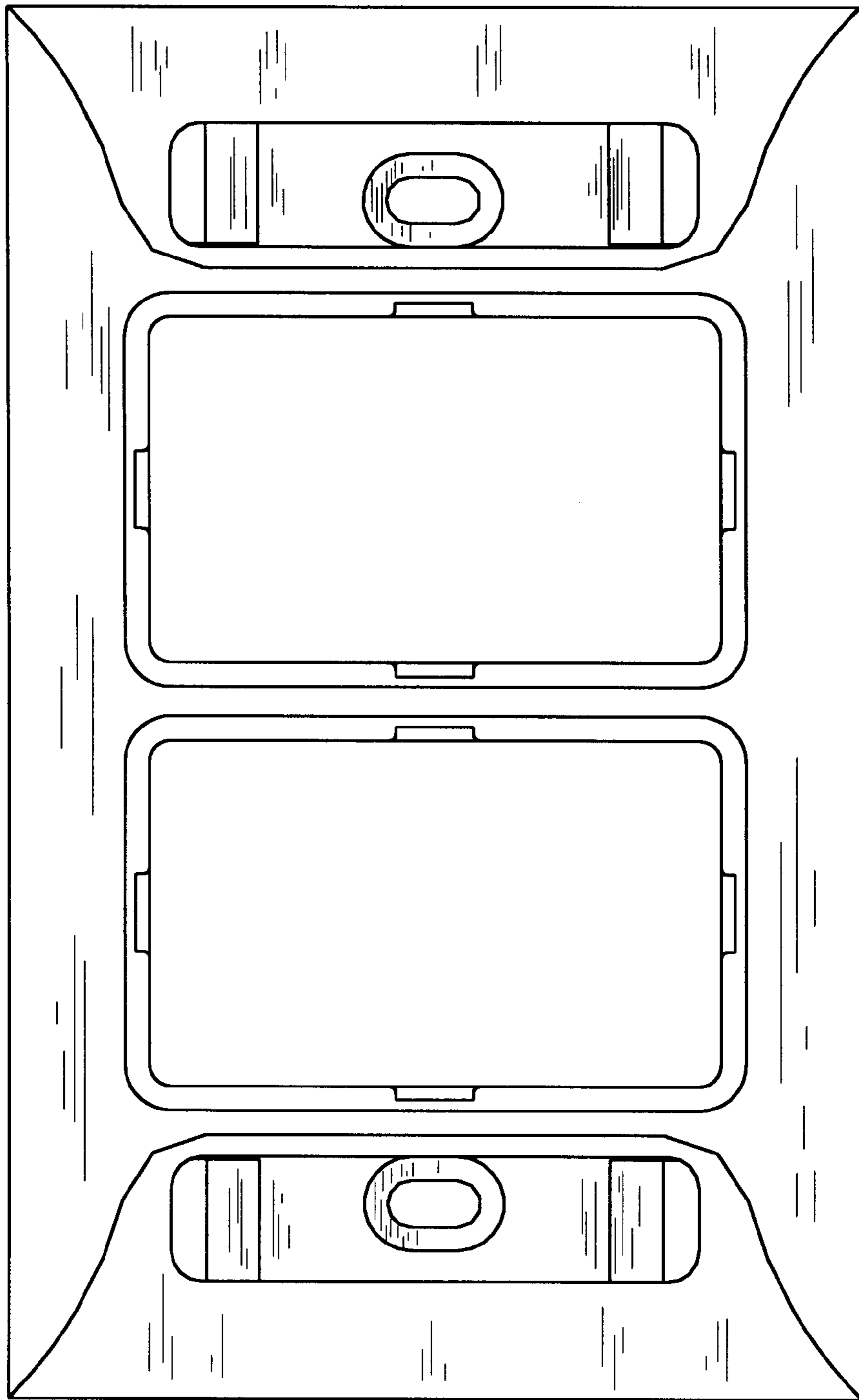


FIG. 6

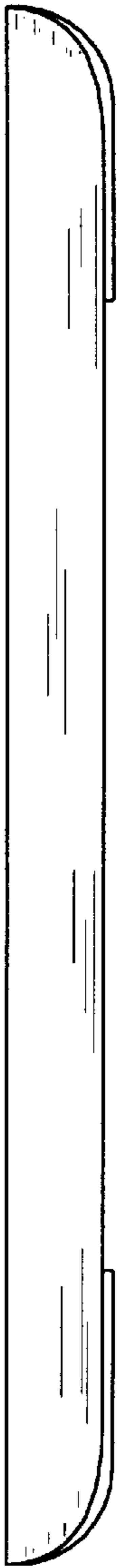


FIG. 7

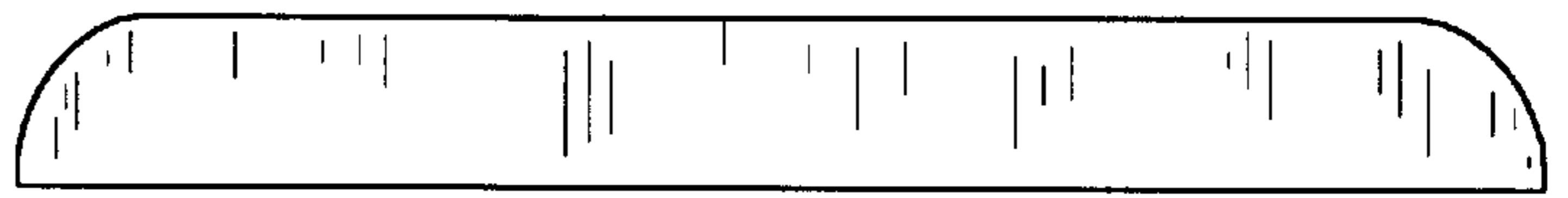


FIG. 8

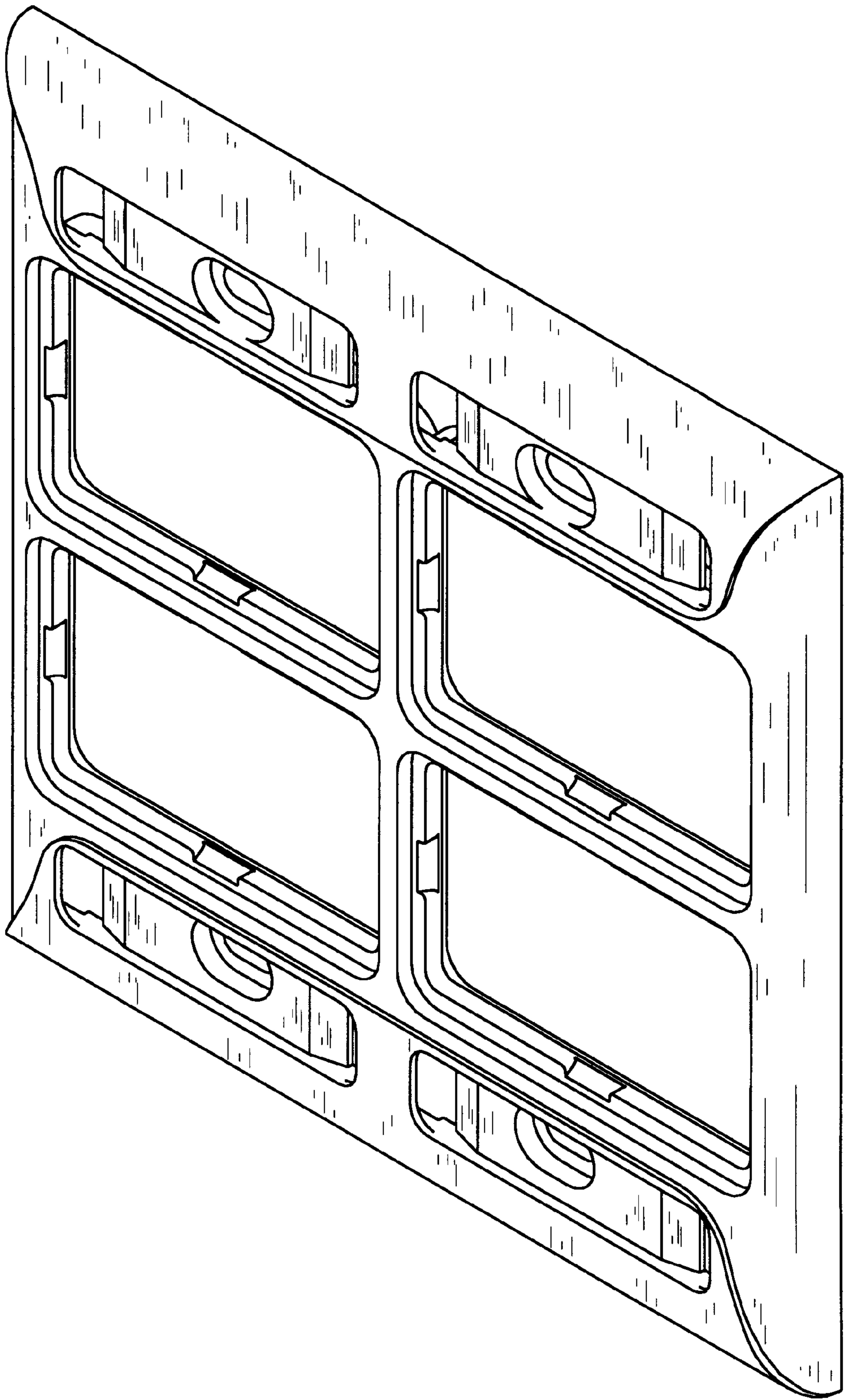


FIG. 9

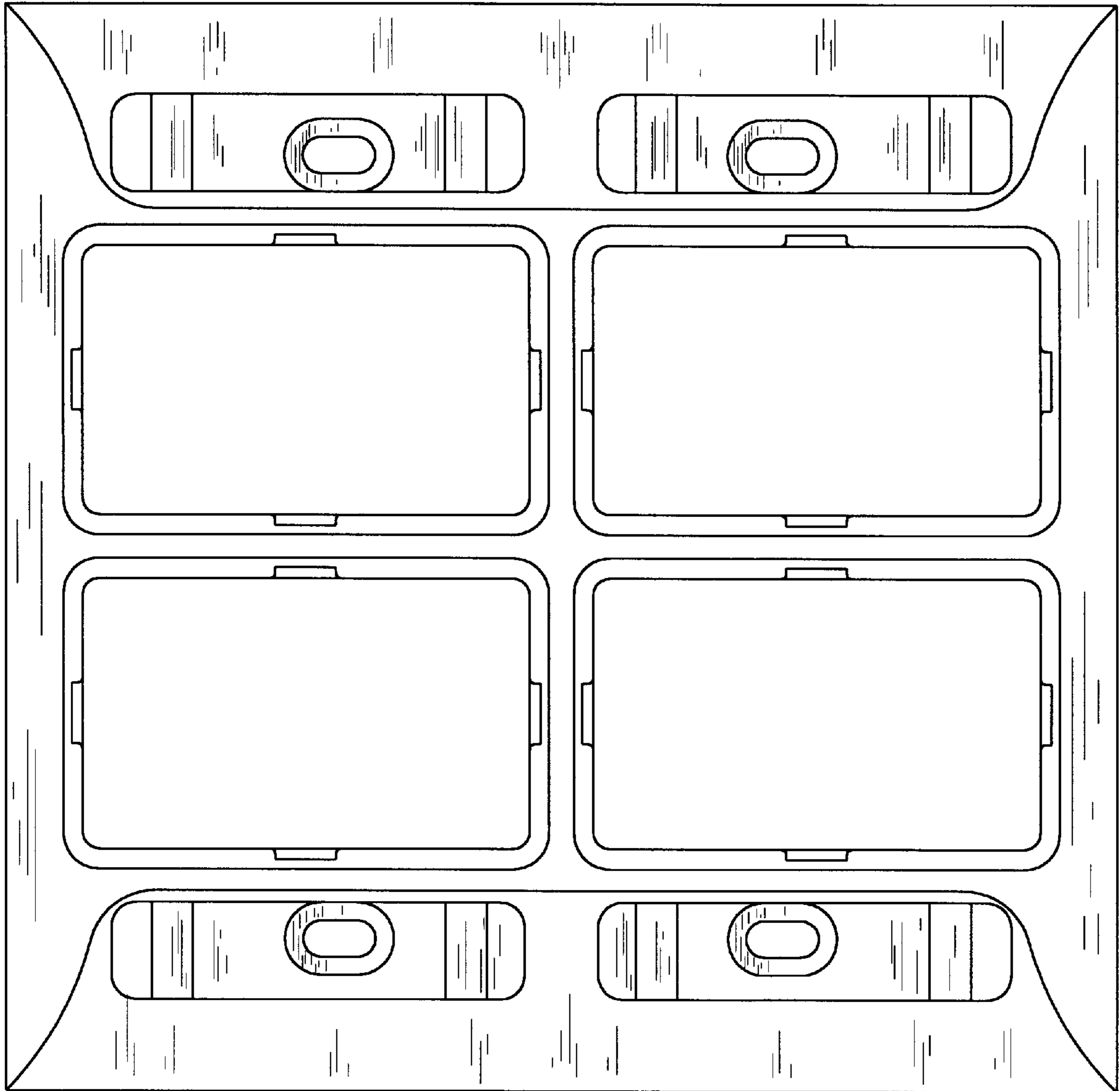


FIG. 10

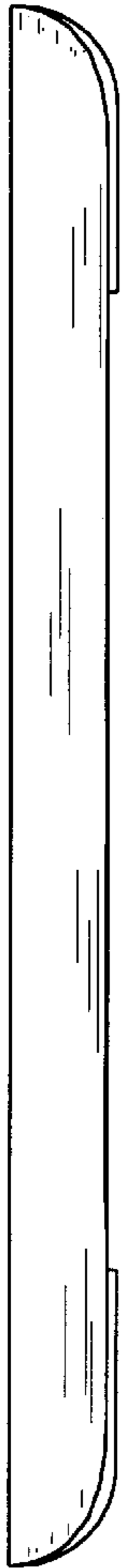


FIG. 11



FIG. 12