



US00D411731S

United States Patent [19] Finkelstein et al.

[11] **Patent Number: Des. 411,731**
[45] **Date of Patent: ** Jun. 29, 1999**

[54] **PADLOCKING HASP**
[75] Inventors: **Burl Finkelstein; Mark Kennedy**, both of Newnan, Ga.
[73] Assignee: **Kason Industries, Inc.**, Shenandoah, Ga.
[**] Term: **14 Years**
[21] Appl. No.: **29/080,247**
[22] Filed: **Dec. 5, 1997**
[51] **LOC (6) Cl. 08-07**
[52] **U.S. Cl. D8/345**
[58] **Field of Search** D8/330-331, 343-345; 292/281-287, 341.18, 221, 340, 92, 285; 70/2, 3

4,635,977 1/1987 Yamada 292/92
4,790,156 12/1988 Yang 70/68
4,953,372 9/1990 Lovell et al. 70/89
5,026,100 6/1991 Hulkenberg 292/92
5,172,574 12/1992 Perfello 70/56
5,462,320 10/1995 Davis 292/285

Primary Examiner—Pamela Burgess
Attorney, Agent, or Firm—Kennedy, Davis & Kennedy, P.C.

[57] CLAIM

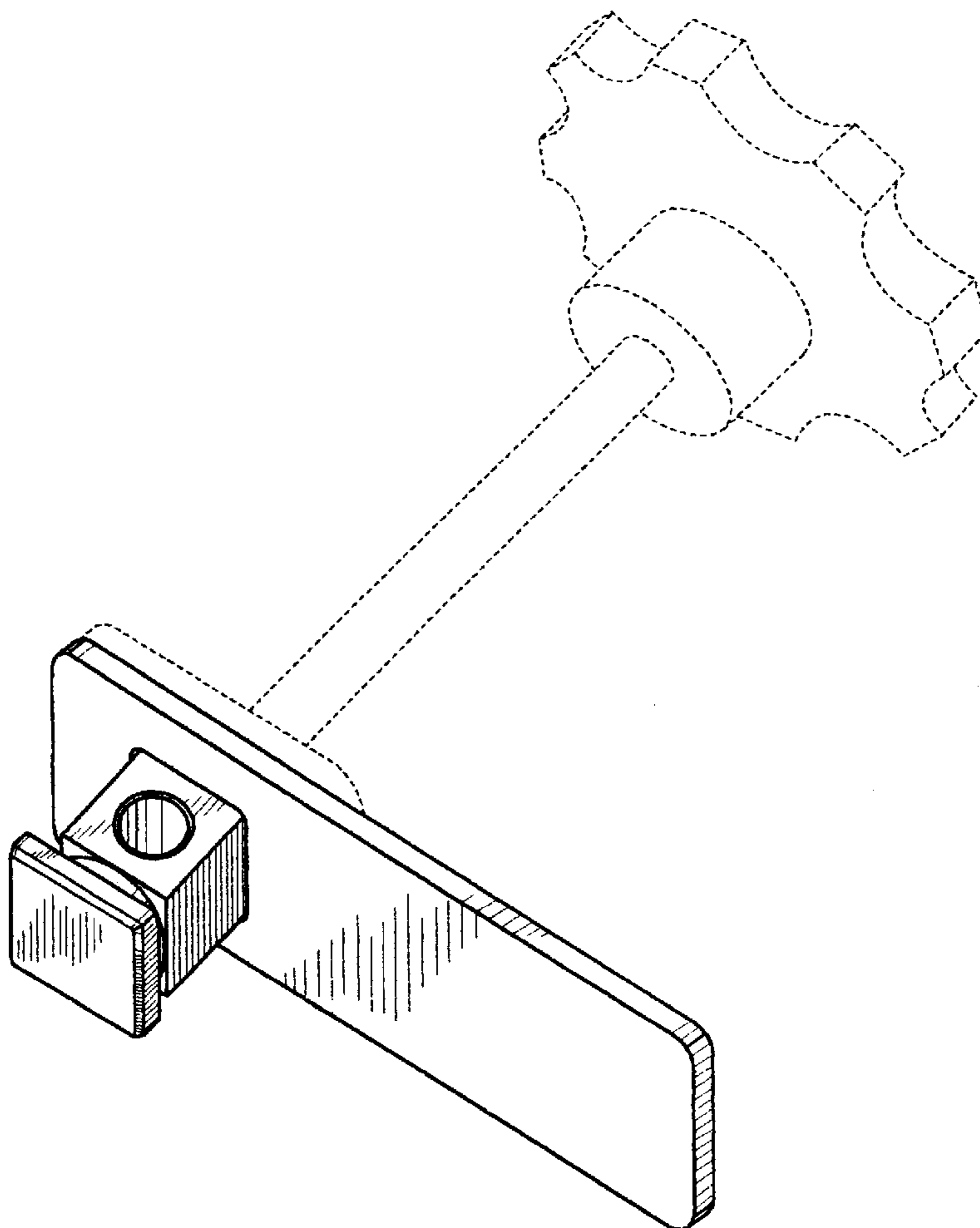
The ornamental design for a padlocking hasp, as shown and described.

DESCRIPTION

FIG. 1 is a perspective view of the padlocking hasp with an inside release mechanism shown in broken lines.
FIG. 2 is a front view thereof.
FIG. 3 is a rear view thereof.
FIG. 4 is a side view thereof, the opposite side being a mirror image; and,
FIG. 5 is another view thereof, the opposite side being a mirror image.
The broken lines shown in all views are for illustrative purposes only and form no part of the claimed design.

[56] **References Cited**
U.S. PATENT DOCUMENTS
D. 309,248 7/1990 MacFarlane D8/338
2,636,767 4/1953 Groeger 292/341.18
3,736,778 6/1973 Bako 70/70
3,871,694 3/1975 White 293/92
4,203,622 5/1980 Cook et al. 292/221
4,431,220 2/1984 Loughlin 292/340

1 Claim, 3 Drawing Sheets



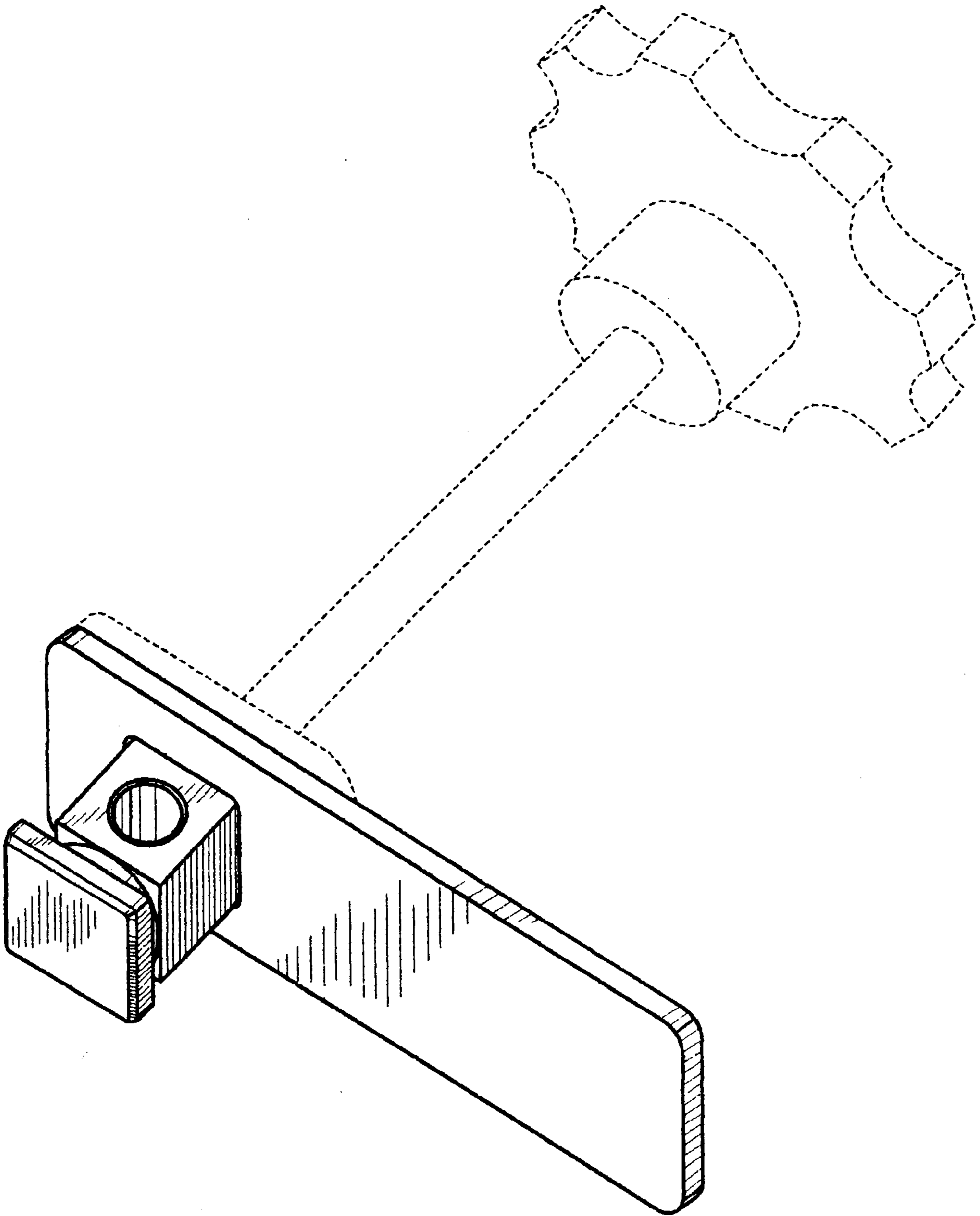


FIG. 1

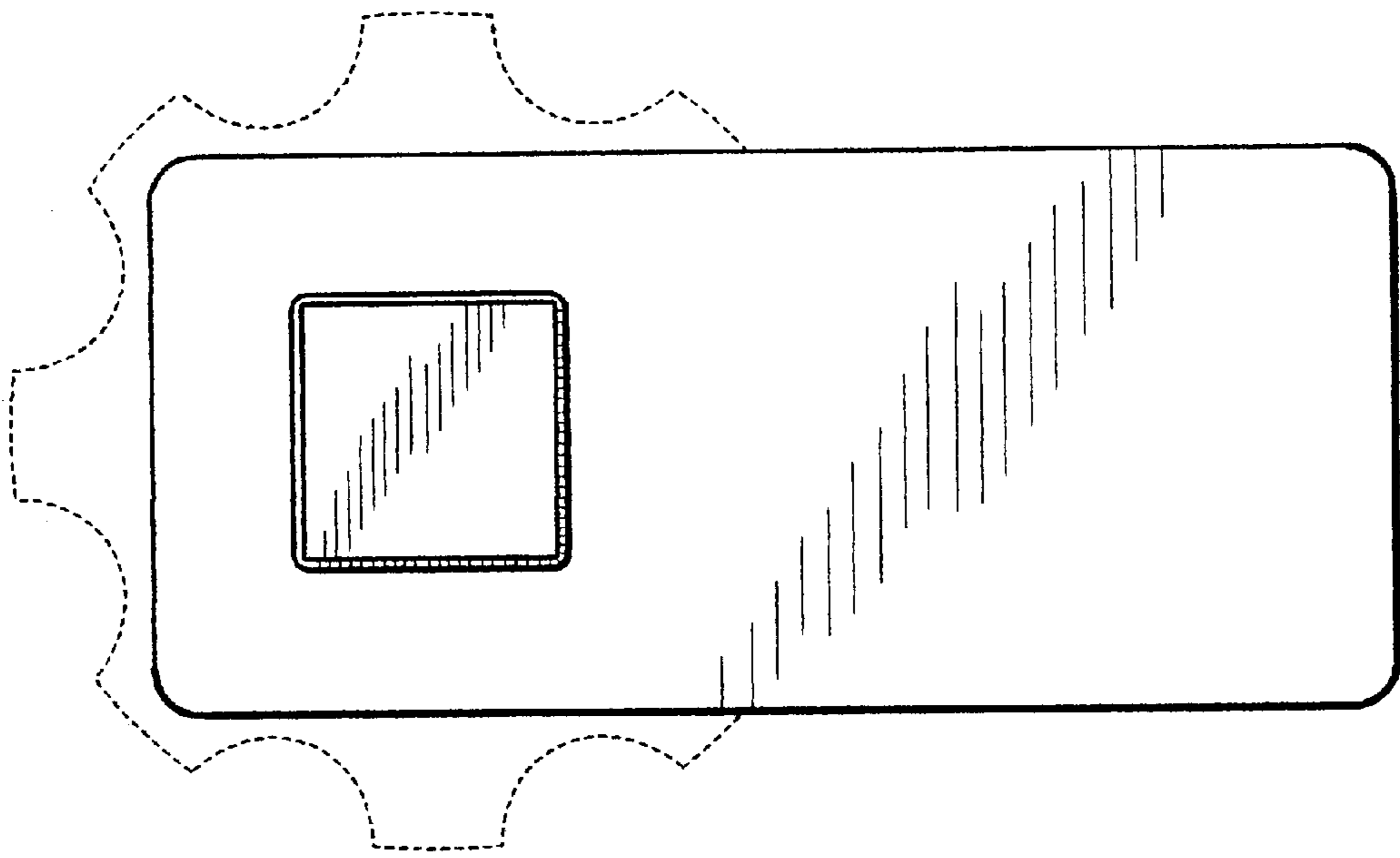


FIG. 2

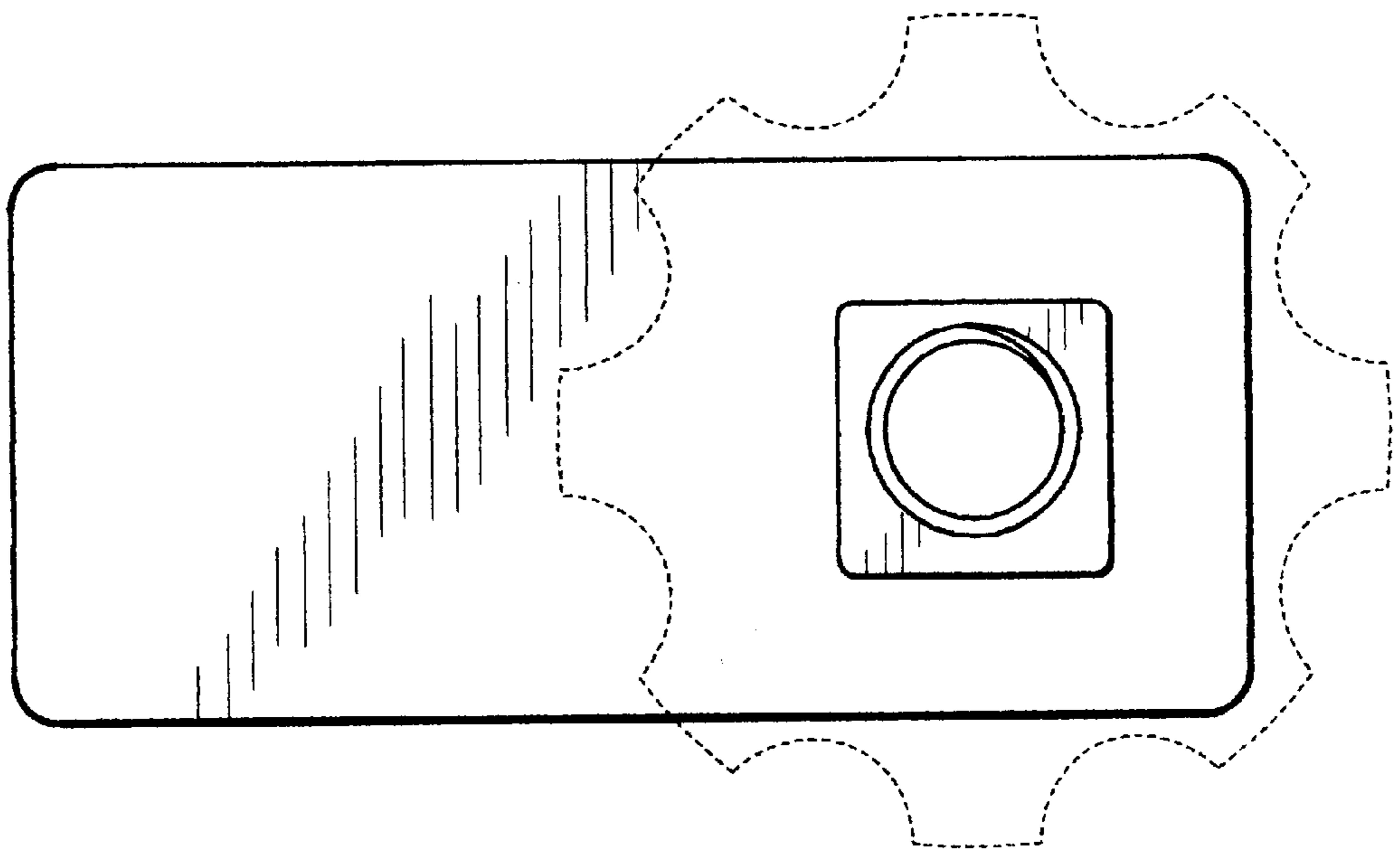


FIG. 3

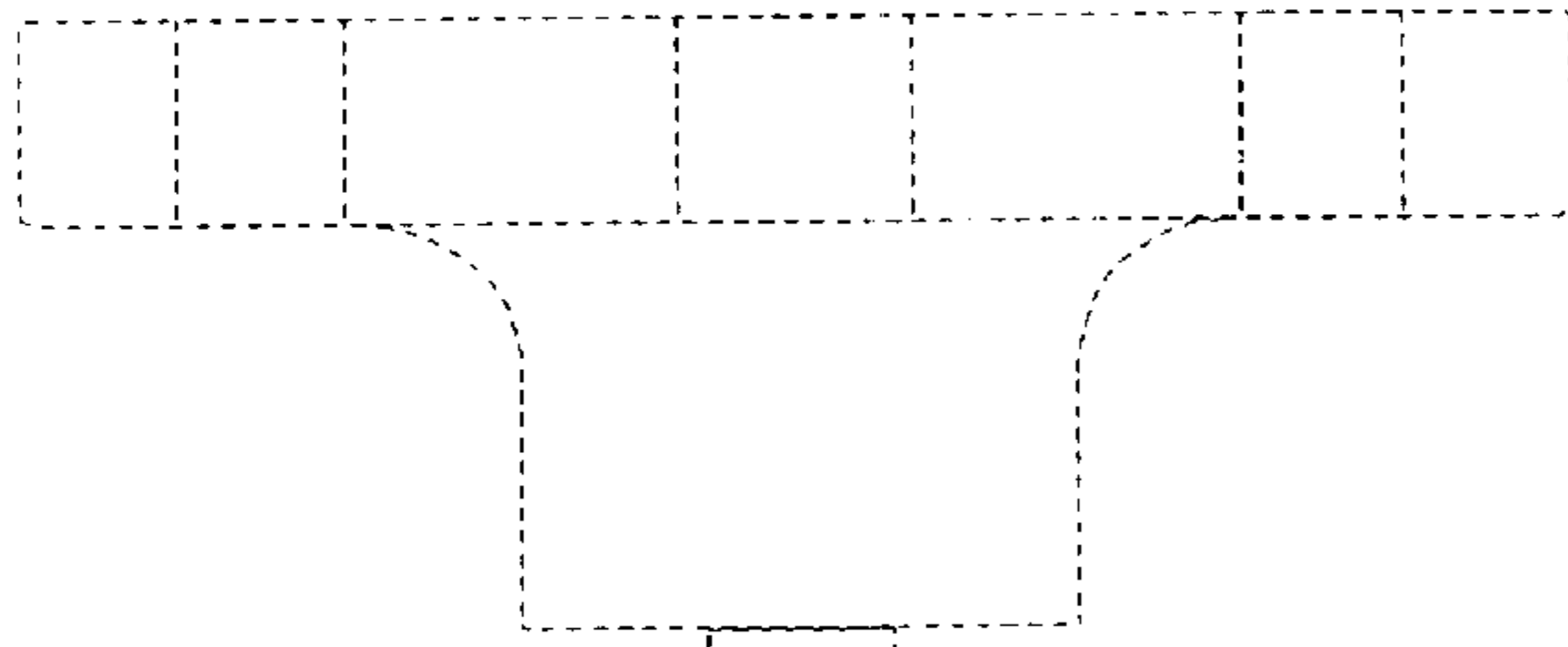


FIG. 4

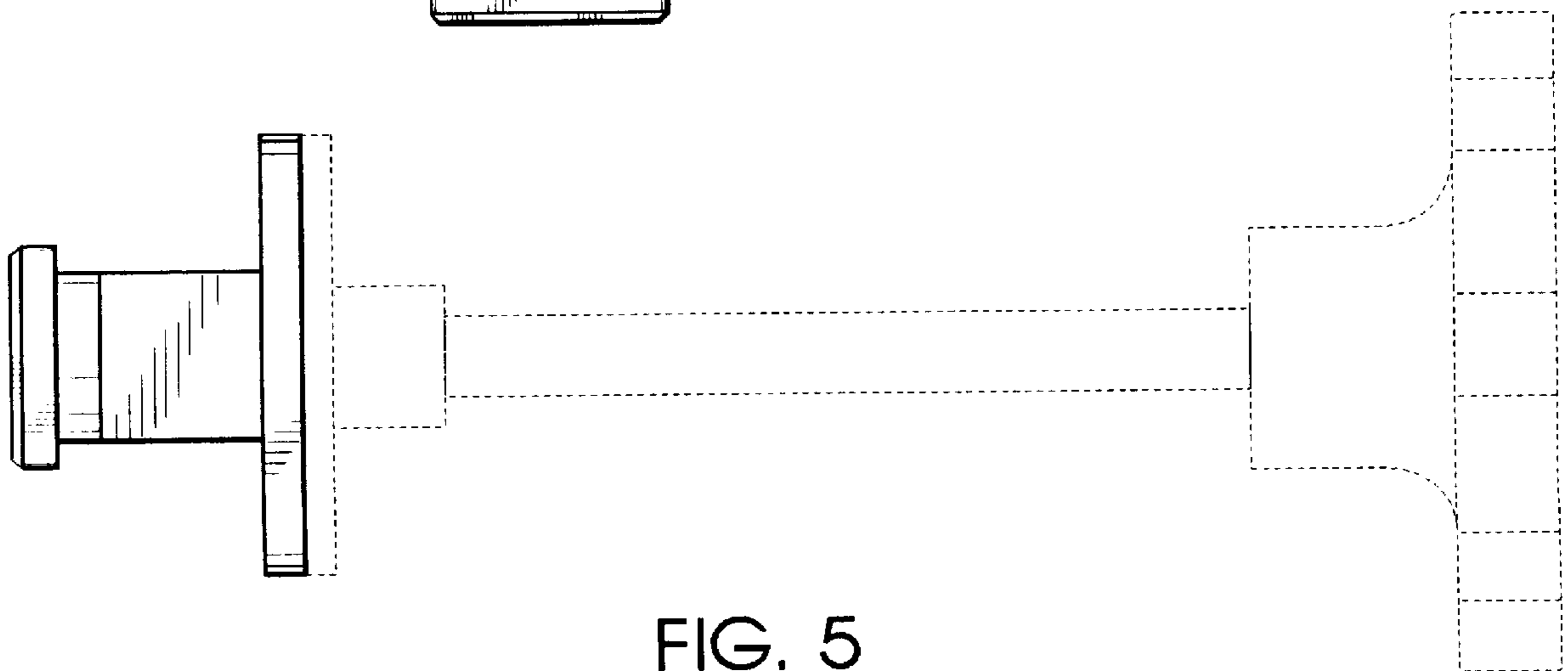
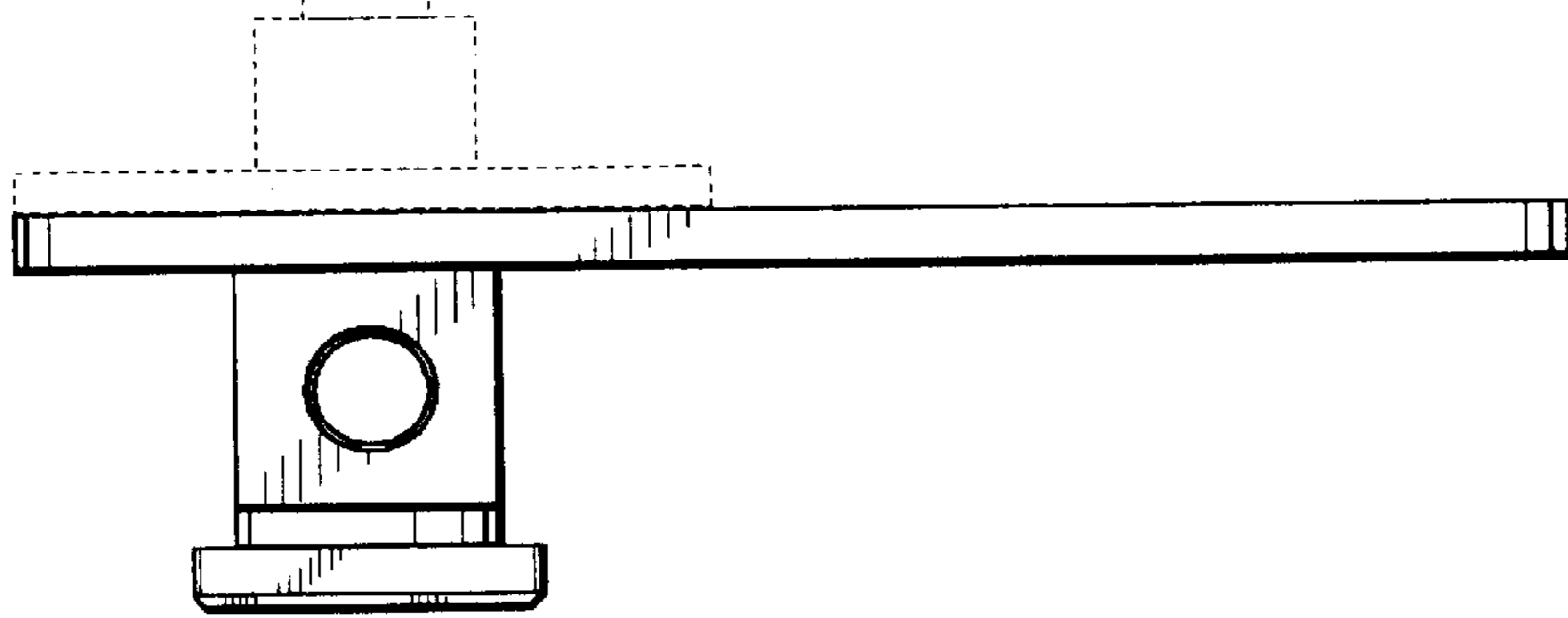


FIG. 5