



US00D411720S

# United States Patent [19]

[11] Patent Number: **Des. 411,720**

Lillelund et al.

[45] Date of Patent: **\*\* Jun. 29, 1999**

[54] **SALAD SPINNER**

5,054,209	10/1991	Koff	.....	34/58
5,064,535	11/1991	Hsu	.....	210/380.1
5,562,025	10/1996	Bull et al.	.....	99/495
5,778,769	7/1998	Dodson	.....	99/536

[75] Inventors: **Stig Lillelund**, Gentofte; **Jakob Heiberg**, Charlottenlund; **Mikael Koch**, Virum, all of Denmark; **Robert H. C. M. Daenen**, Essene; **Johan M. J. K. Mortier**, Grimminge, both of Belgium

### FOREIGN PATENT DOCUMENTS

120897	1/1931	Austria	.	
1003911	10/1949	France	.....	9/1
464379	8/1928	Germany	.	
25 18 486	11/1975	Germany	.	

[73] Assignee: **Dart Industries Inc.**, Orlando, Fla.

*Primary Examiner*—Mitchell I Siegel  
*Attorney, Agent, or Firm*—Taylor J. Ross

[\*\*] Term: **14 Years**

[21] Appl. No.: **29/094,385**

### [57] CLAIM

[22] Filed: **Oct. 1, 1998**

The ornamental design for a salad spinner, as shown and described.

[51] **LOC (6) Cl.** ..... **07-04**

[52] **U.S. Cl.** ..... **D7/665**

[58] **Field of Search** ..... D7/665, 667-669,  
D7/380, 376; 99/495, 511

### DESCRIPTION

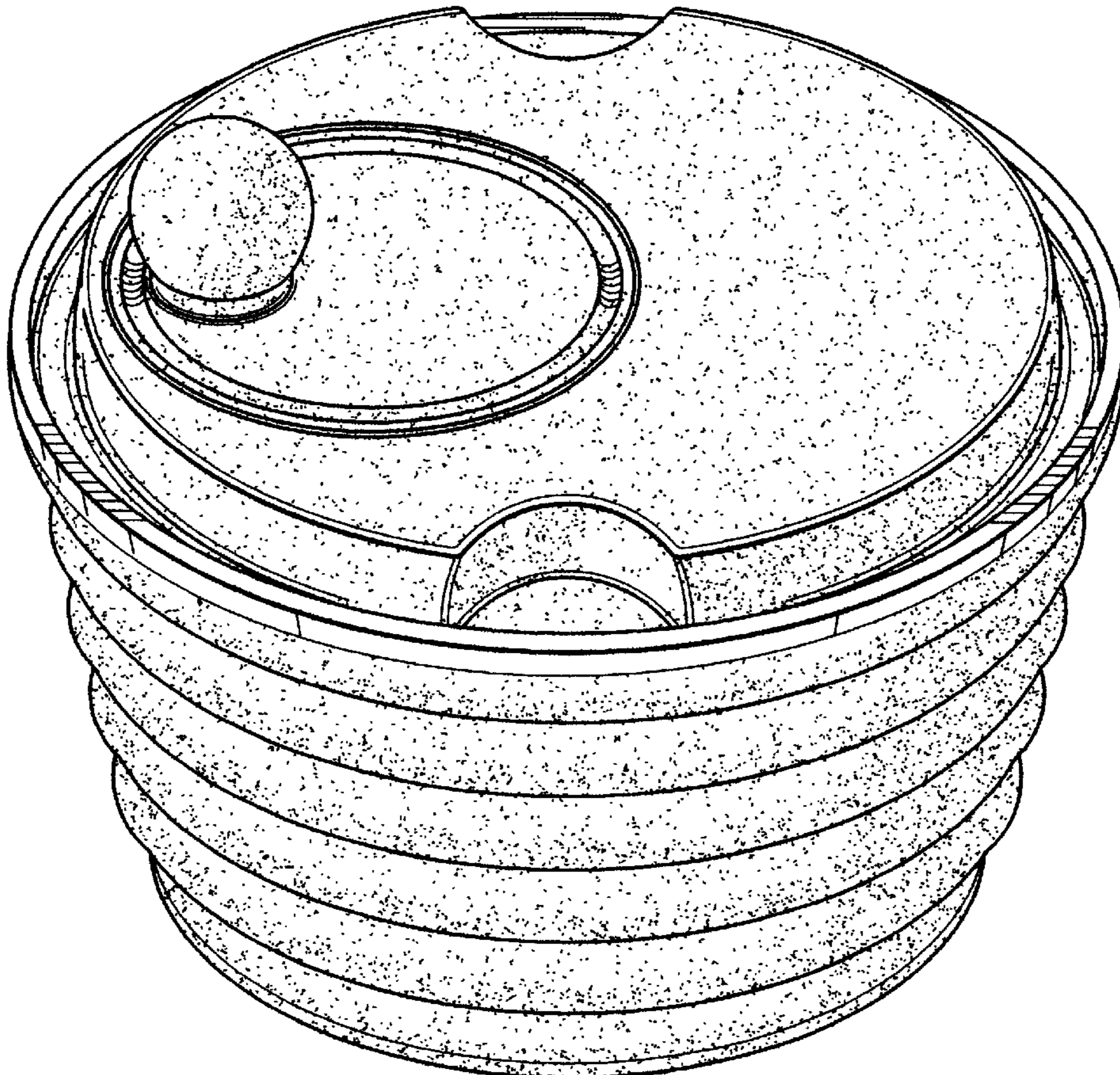
### [56] References Cited

#### U.S. PATENT DOCUMENTS

D. 241,495	9/1976	Parls	.....	D7/665
D. 254,465	3/1980	Pauty	.....	D7/665
D. 328,551	8/1992	Kong	.....	D7/665
D. 380,124	6/1997	Kato et al.	.....	D7/605
D. 402,165	12/1998	Bull	.....	D7/665
3,753,297	8/1973	Mantelet	.....	34/58
3,885,321	5/1975	Fouinetau	.....	34/58
4,209,916	7/1980	Doyel	.....	34/58

FIG. 1 is a top, side and front perspective view of a salad spinner showing the new design;  
FIG. 2 is a bottom, side and front perspective view thereof;  
FIG. 3 is a right side view thereof;  
FIG. 4 is a left side view thereof;  
FIG. 5 is a front view thereof;  
FIG. 6 is a rear view thereof;  
FIG. 7 is a top plan view thereof; and,  
FIG. 8 is a bottom plan view thereof.

**1 Claim, 4 Drawing Sheets**



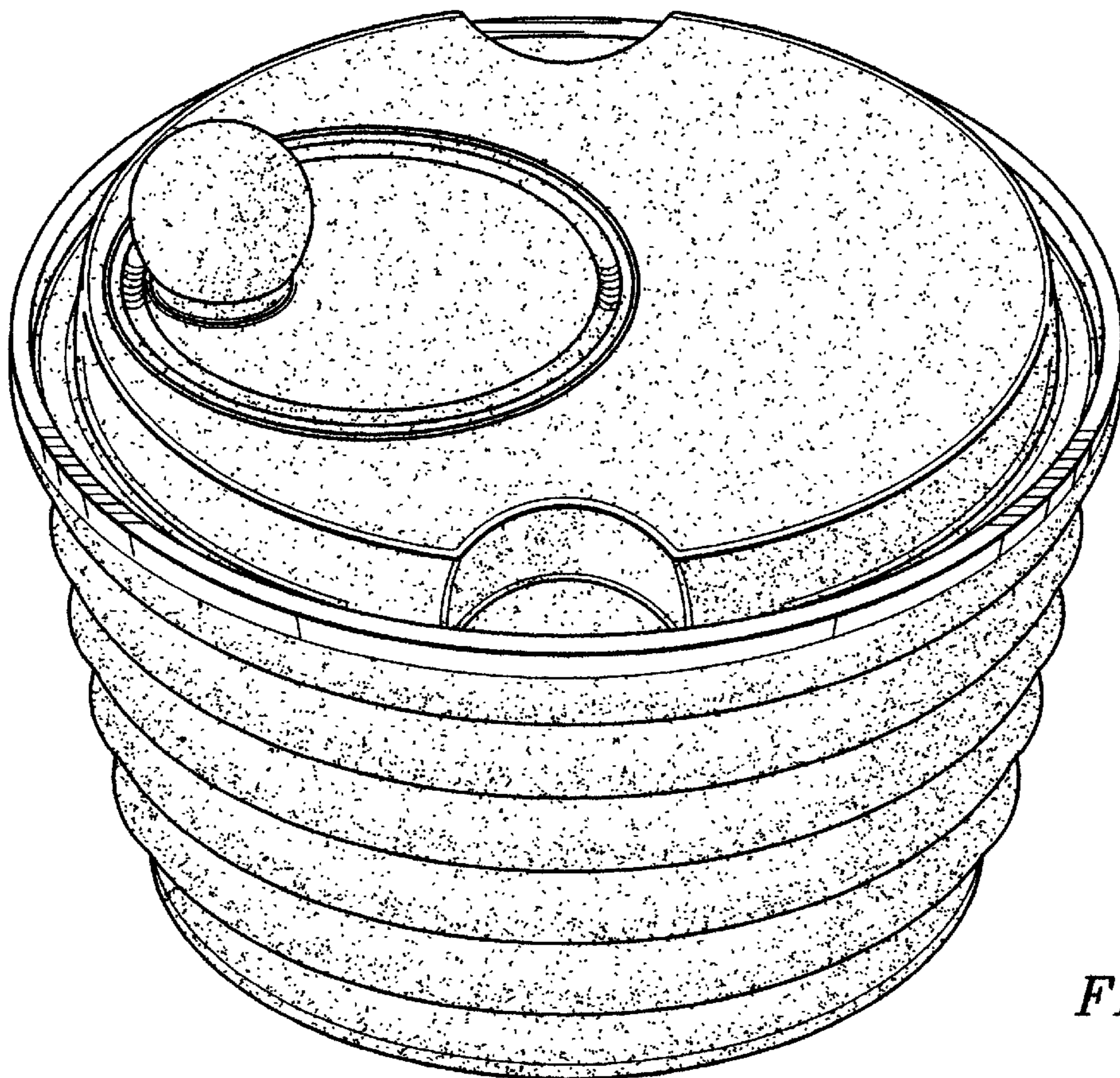


FIG. 1

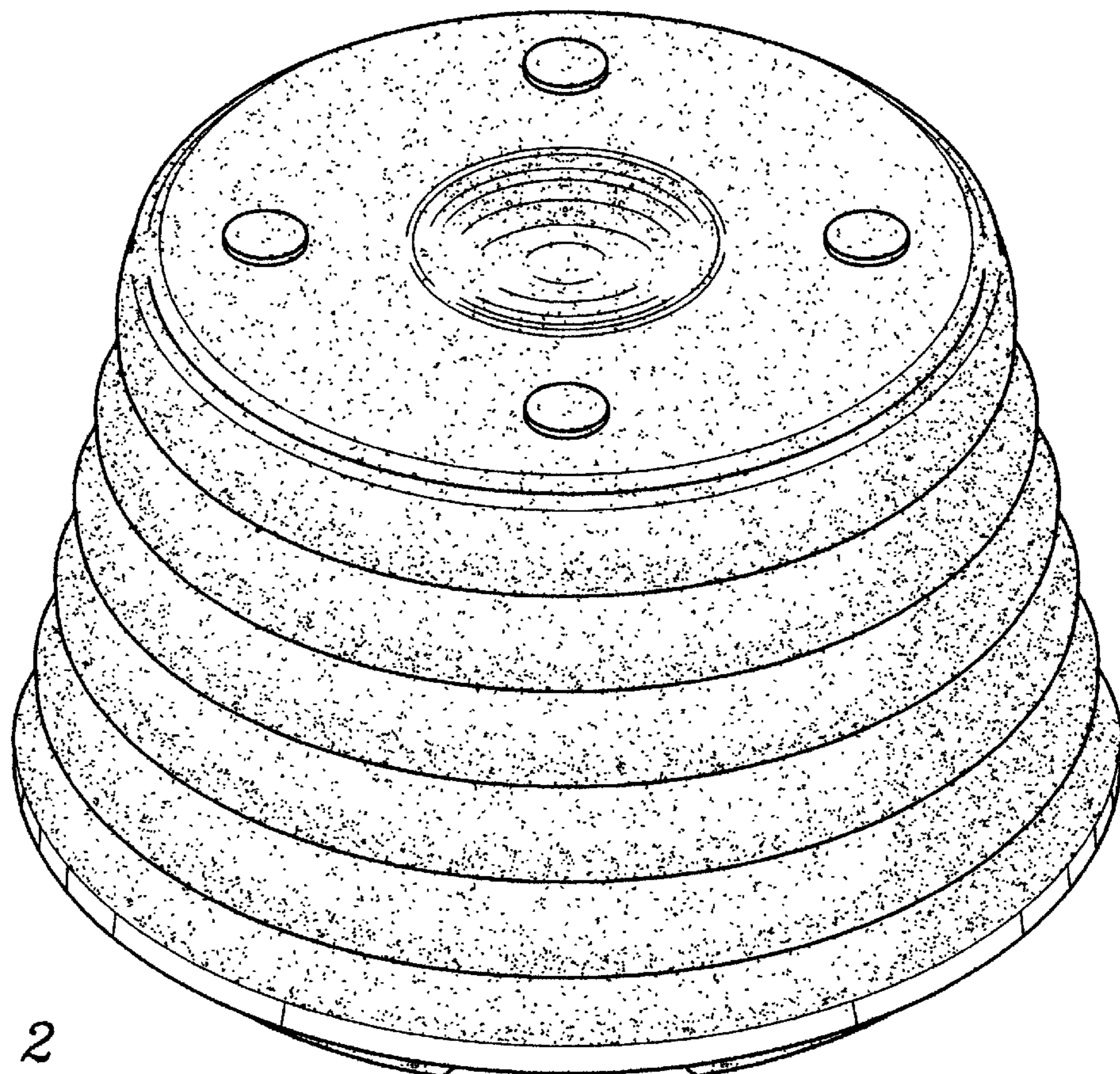


FIG. 2

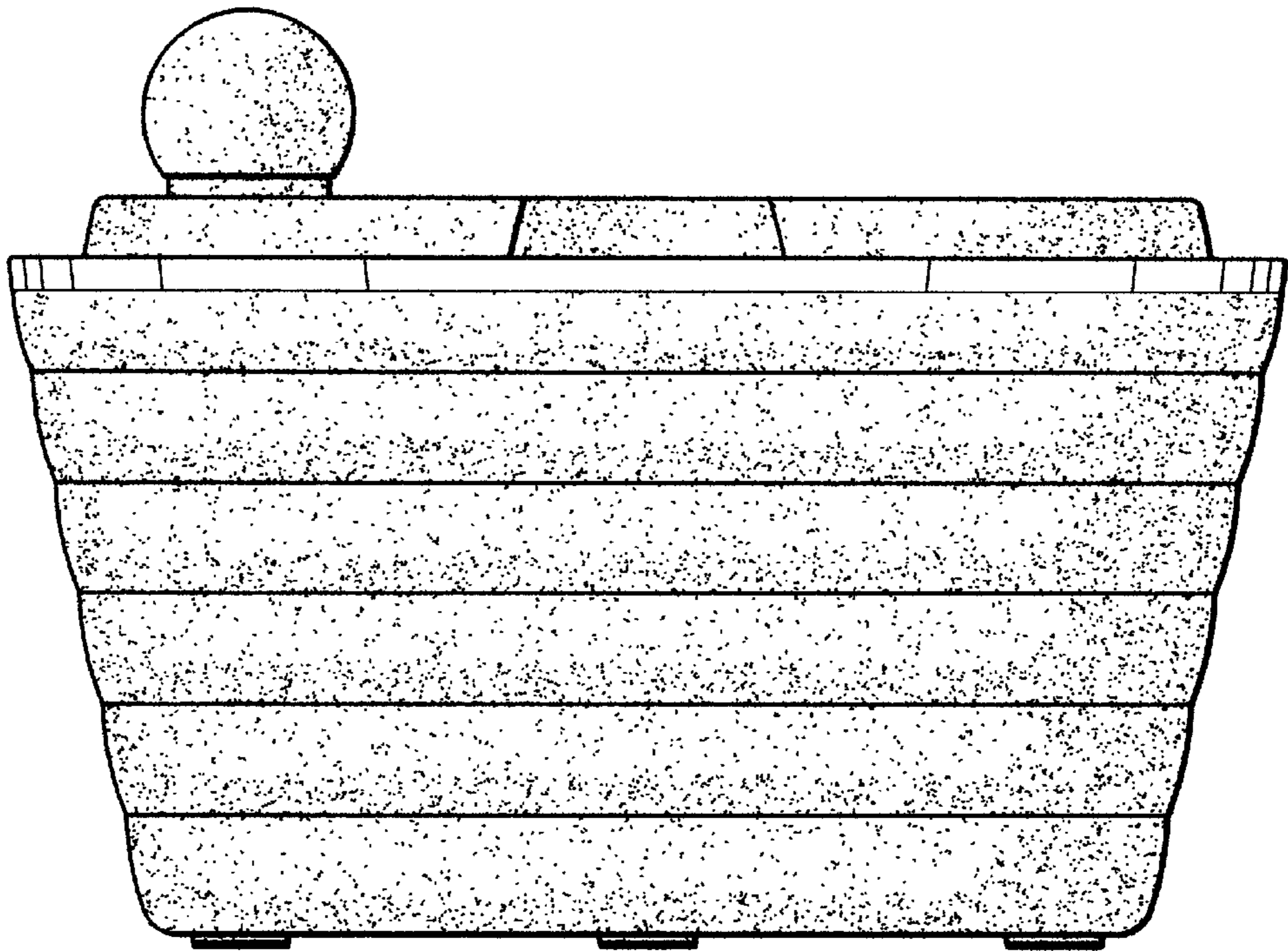


FIG. 3

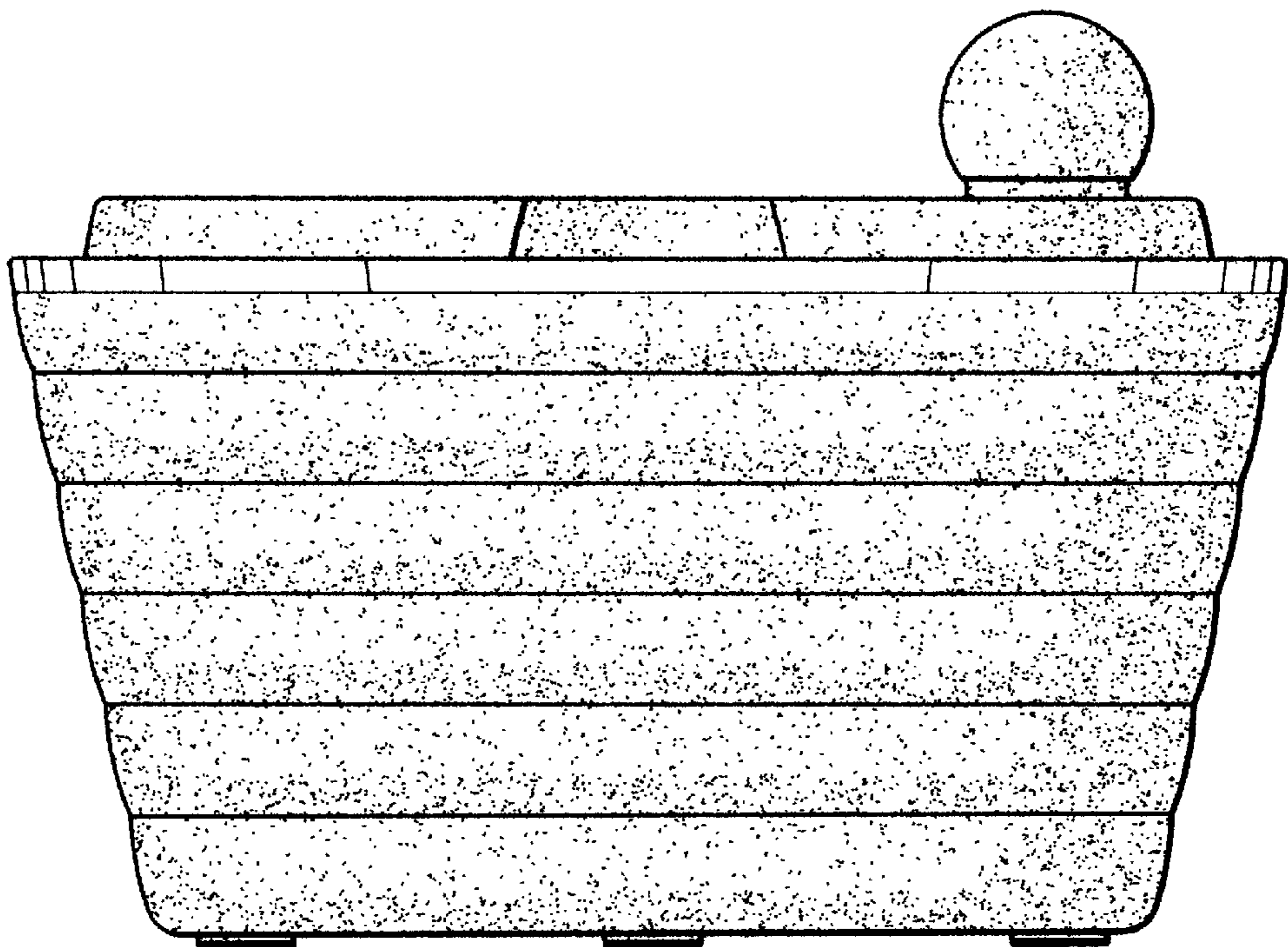


FIG. 4

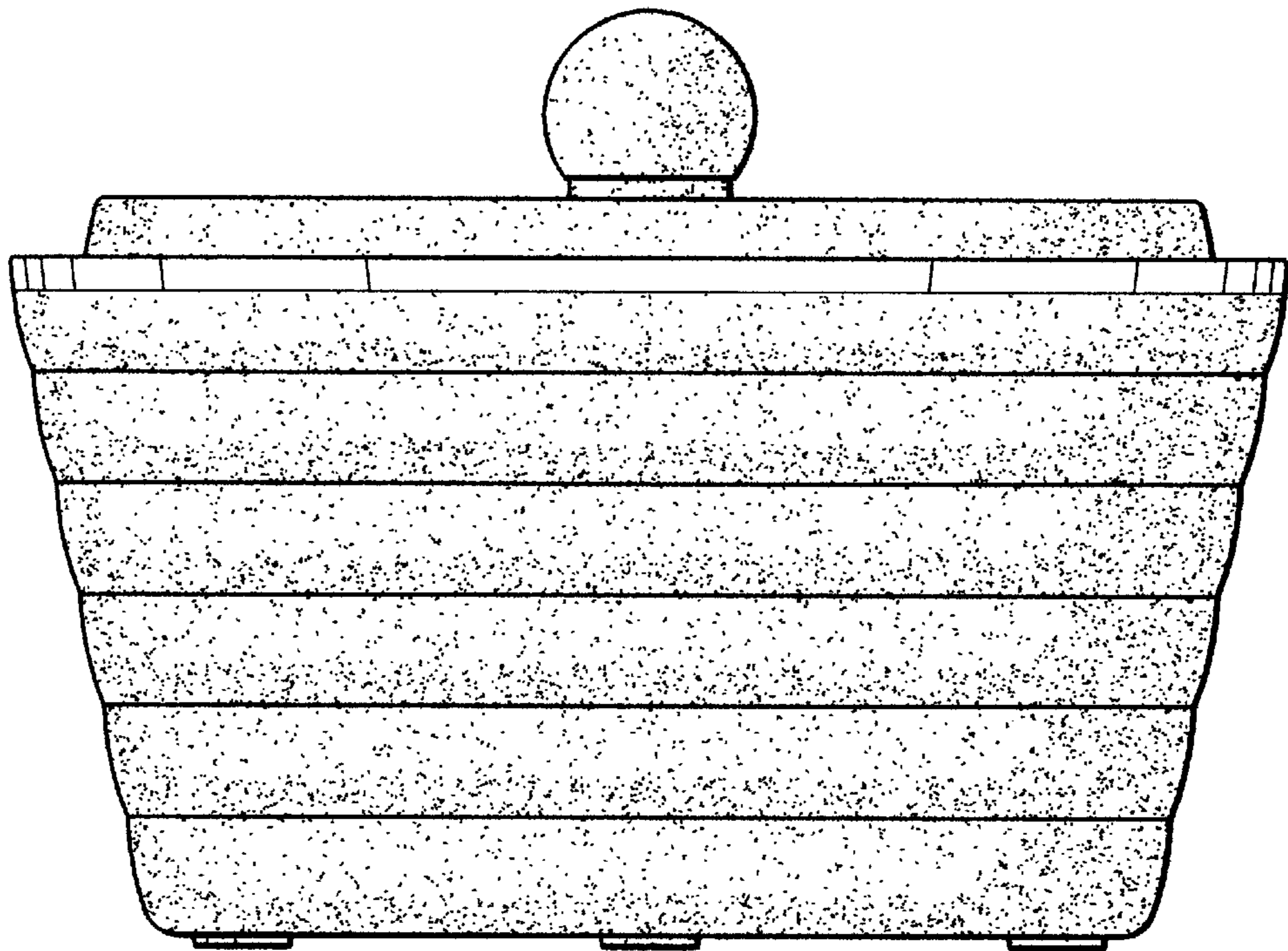


FIG. 5

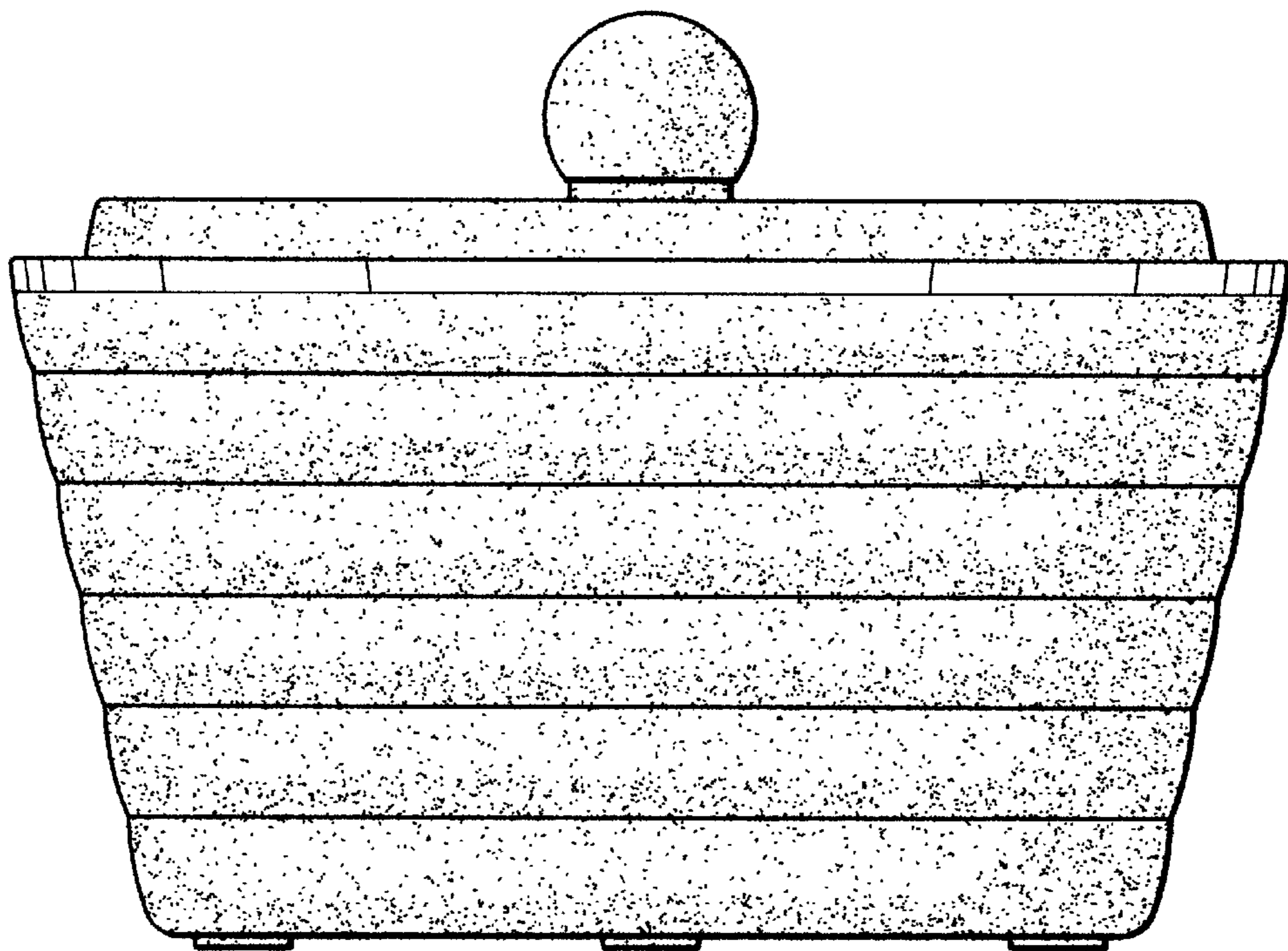


FIG. 6

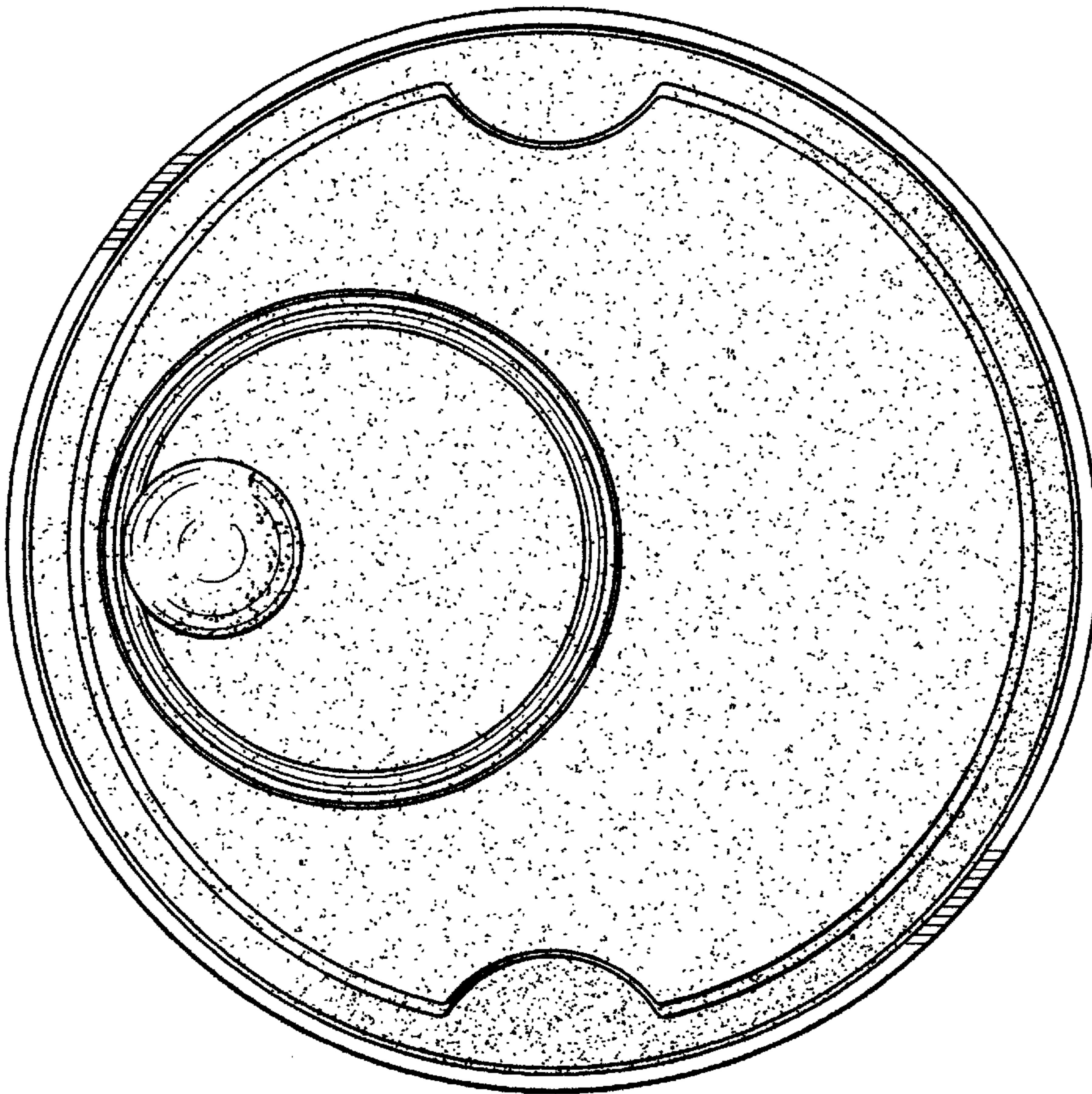


FIG. 7

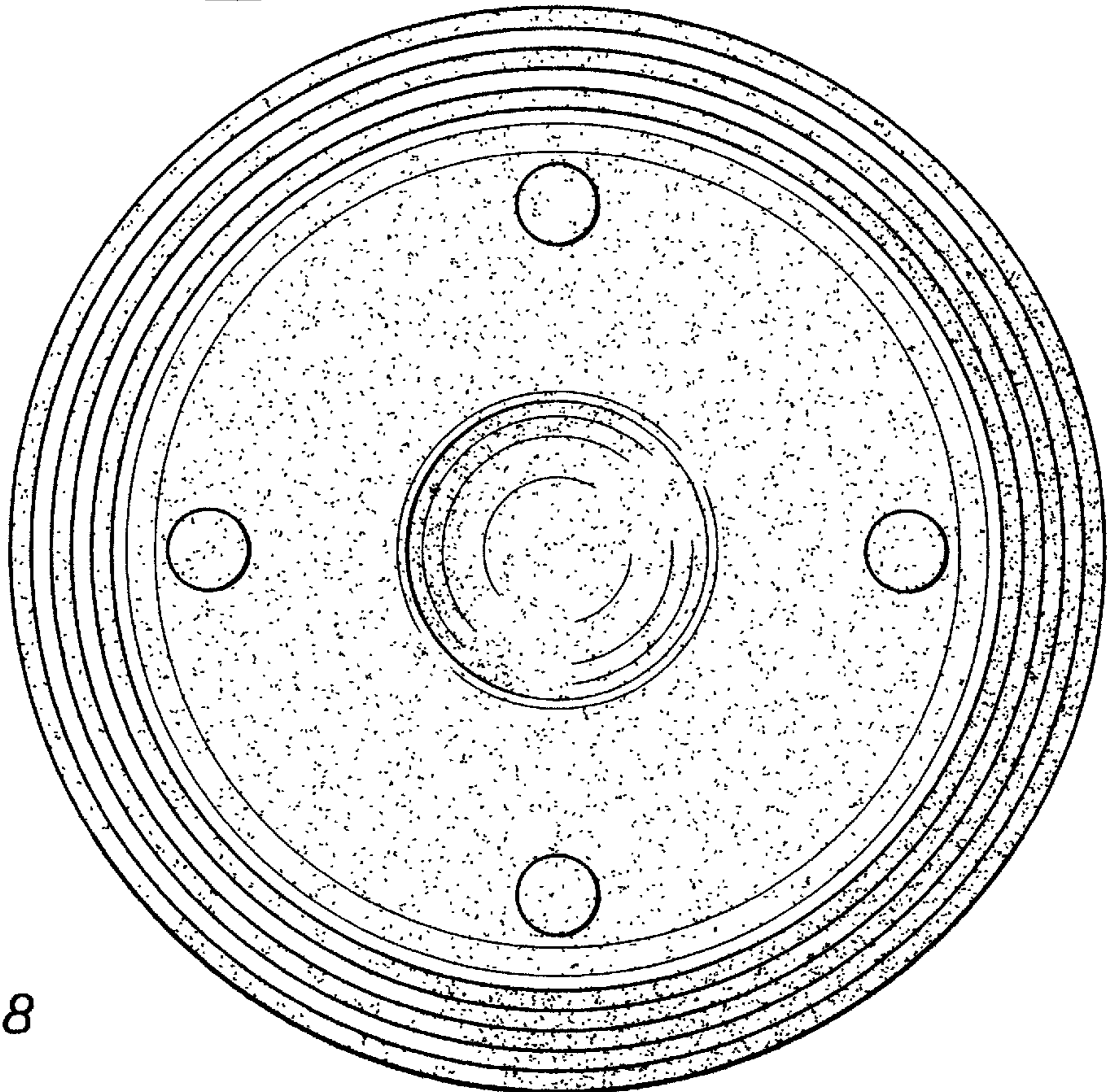


FIG. 8