



US00D411718S

United States Patent [19]

[11] Patent Number: Des. 411,718

Davis et al.

[45] Date of Patent: ** Jun. 29, 1999

[54] IN DRAWER KNIFE BLOCK

[75] Inventors: Martha Davis; Stuart Harvey Lee, both of New York, N.Y.

[73] Assignee: M. Kamenstein, Inc., Elmsford, N.Y.

[**] Term: 14 Years

[21] Appl. No.: 29/085,165

[22] Filed: Mar. 18, 1998

Related U.S. Application Data

[63] Continuation of application No. 08/957,806, Oct. 24, 1997.

[51] LOC (6) Cl. 06-04

[52] U.S. Cl. D7/637

[58] Field of Search D7/637-641; 211/60.1, 211/70.6, 70.7

[56] References Cited

U.S. PATENT DOCUMENTS

- D. 244,340 5/1977 Ashton .
- D. 249,443 9/1978 Ackerman et al. .
- D. 253,154 10/1979 Kriesten et al. .
- D. 259,321 5/1981 Sparger .
- D. 261,467 10/1981 Alessandrini et al. .
- D. 266,136 9/1982 Peabody et al. .
- D. 271,171 11/1983 Kinkade .
- D. 273,356 4/1984 Miller .
- D. 276,018 10/1984 Hagedorn et al. .
- D. 280,587 9/1985 Carlson .
- D. 284,536 7/1986 Kelly .
- D. 284,827 7/1986 Prindle .
- D. 292,359 10/1987 Daw .
- D. 296,177 6/1988 Nolen, Sr. et al. .
- D. 300,497 4/1989 Goebel et al. .
- D. 303,477 9/1989 Naft .
- D. 308,619 6/1990 Klein .
- D. 317,698 6/1991 Martinez .

- D. 320,143 9/1991 Fenwick .
- D. 333,238 2/1993 Stead et al. .
- D. 352,868 11/1994 Breen .
- D. 358,532 5/1995 Wang et al. .
- D. 360,560 7/1995 Stroecker .
- D. 360,810 8/1995 Humaj .
- D. 366,814 2/1996 Stroecker .
- D. 371,727 7/1996 Gebhardt .
- 4,071,144 1/1978 Krubski .
- 4,071,212 1/1978 Burrows et al. .
- 4,082,386 4/1978 Beasley, Jr. .
- 4,509,651 4/1985 Prindle .
- 4,834,328 5/1989 Hall .
- 4,893,768 1/1990 Hall .
- 4,934,539 6/1990 Lu .
- 5,490,607 2/1996 Hsieh et al. .
- 5,655,672 8/1997 Stuchlik, III .

Primary Examiner—Terry A. Wallace
Attorney, Agent, or Firm—Robert A. Koons, Jr.; James W. Bolcsak

[57] CLAIM

The ornamental design for an in drawer knife block, as shown and described.

DESCRIPTION

FIG. 1 is a perspective view of an in drawer knife block showing our new design, with the broken lines showing matter for illustrative purposes only and forming no part of the claimed design;

FIG. 2 is a top plan view of the in drawer knife block;

FIG. 3 is a left side elevational view of the in drawer knife block;

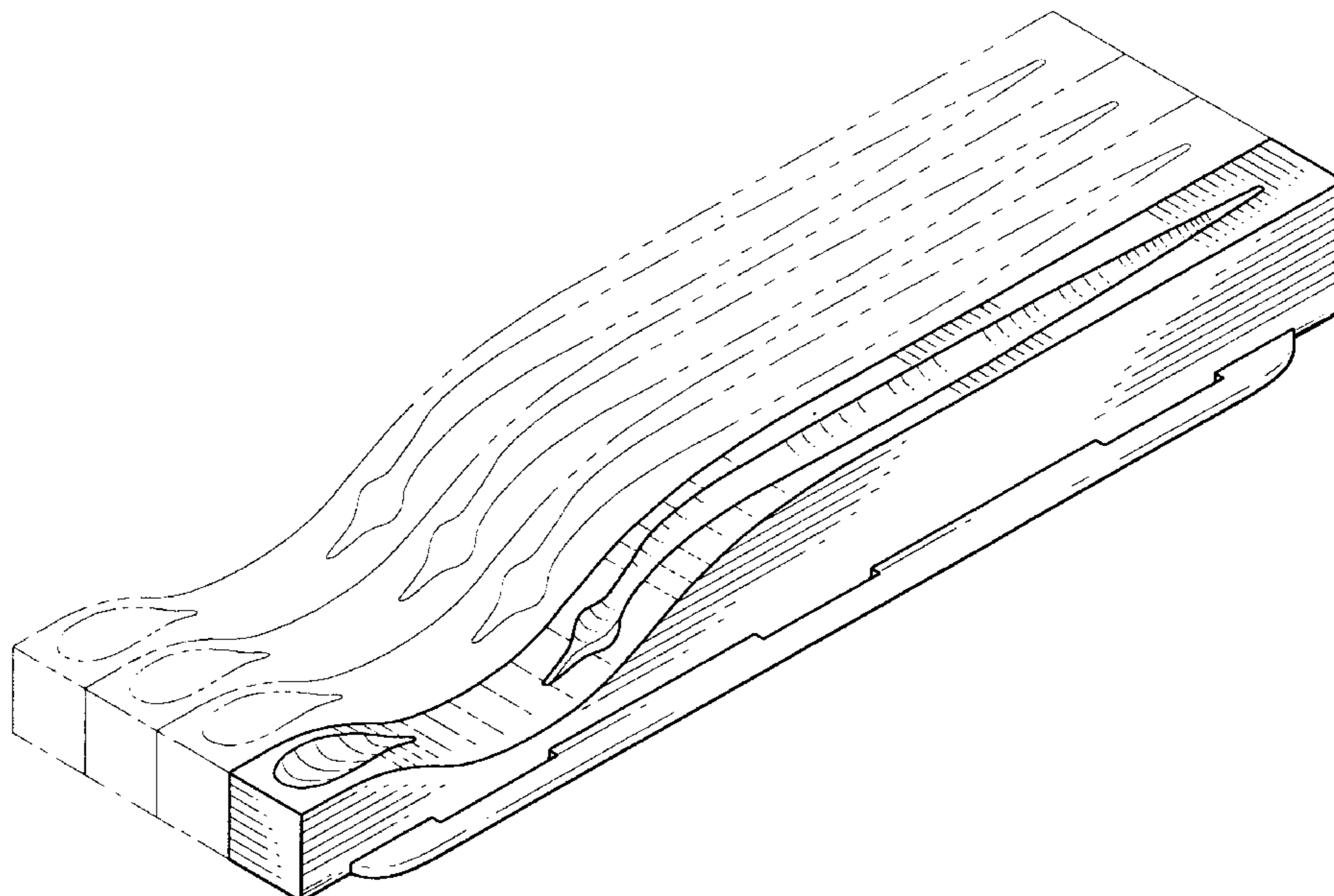
FIG. 4 is a right side elevational view of the in drawer knife block;

FIG. 5 is a bottom plan view of the in drawer knife block;

FIG. 6 is a front elevational view of the in drawer knife block; and,

FIG. 7 is a rear elevational view of the in drawer knife block.

1 Claim, 3 Drawing Sheets



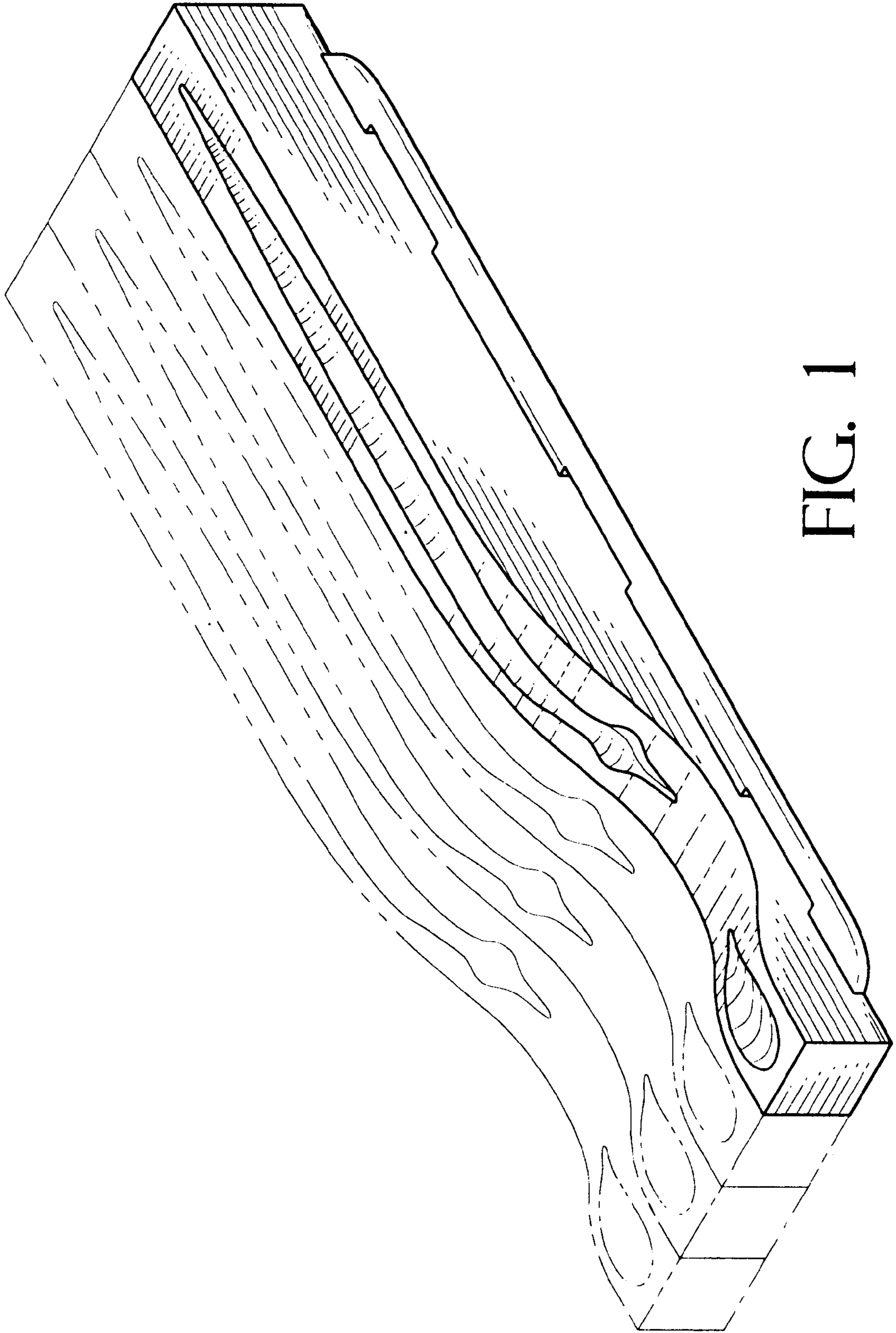


FIG. 1

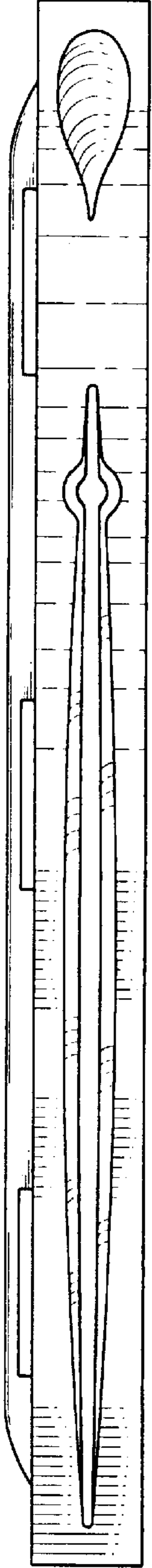


FIG. 2

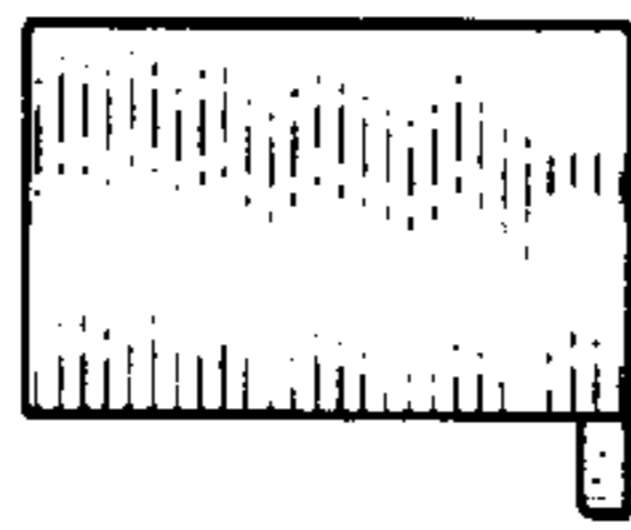


FIG. 3

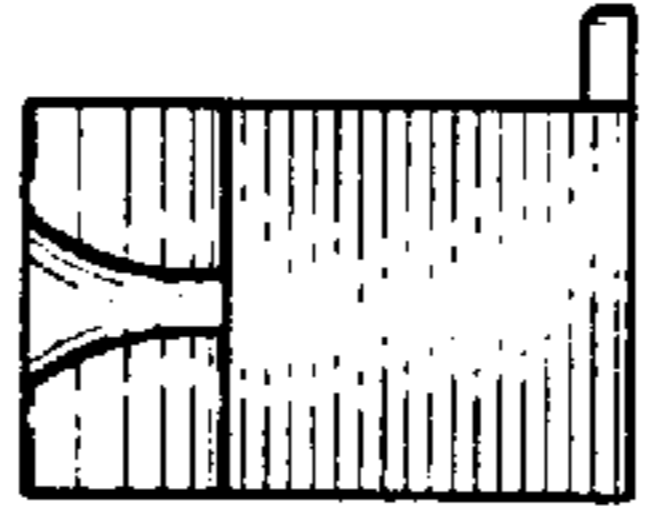


FIG. 4



FIG. 5

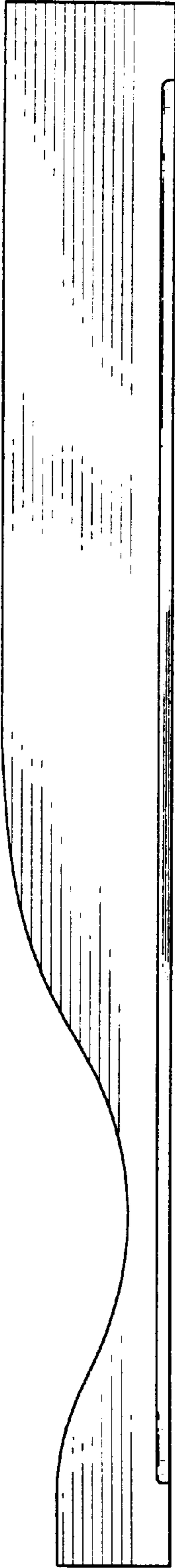


FIG. 6

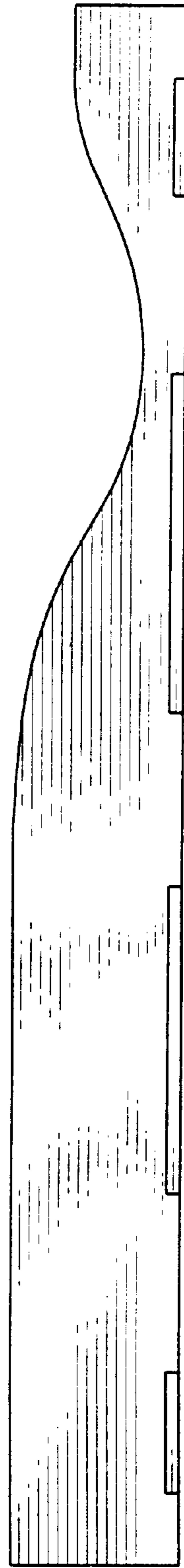


FIG. 7