



US00D411717S

**United States Patent** [19]  
**Moran**

[11] **Patent Number: Des. 411,717**  
[45] **Date of Patent: \*\* Jun. 29, 1999**

- [54] **TALL VACUUM FLASK WITH EASY POURING SPOUT**
- [75] Inventor: **Jorge E. Moran**, Nashville, Tenn.
- [73] Assignee: **Megatrade International, Inc.**, Nashville, Tenn.
- [\*\*] Term: **14 Years**
- [21] Appl. No.: **29/093,857**
- [22] Filed: **Sep. 18, 1998**
- [51] **LOC (6) Cl.** ..... **07-01**
- [52] **U.S. Cl.** ..... **D7/608**
- [58] **Field of Search** ..... D7/605, 608, 502-504, D7/538, 557, 554; 220/410-412; 215/6, 12.1, 13.1; 62/457.1, 457.3, 457.4, 457.7; D9/504, 503, 557

- D. 377,435 1/1997 Dettmar et al. .... D7/605 X
- D. 395,203 6/1998 Moran ..... D7/608
- 3,327,881 6/1967 Maier ..... 215/6

*Primary Examiner*—Mitchell I Siegel  
*Attorney, Agent, or Firm*—Arent Fox Kintner Plotkin & Kahn, PLLC

[57] **CLAIM**

The ornamental design for a tall vacuum flask with easy pouring spout, as shown and described.

**DESCRIPTION**

FIG. 1 is a front elevation view of the tall vacuum flask with easy pouring spout showing my new design;  
FIG. 2 is a side elevation view thereof;  
FIG. 3 is a rear elevation view thereof;  
FIG. 4 is an exploded side elevation view thereof showing the internal cup and cup lid;  
FIG. 5 is a top plan view thereof;  
FIG. 6 is a bottom plan view thereof; and,  
FIG. 7 is a top plan view thereof without the internal cup and cup lid.

[56] **References Cited**  
**U.S. PATENT DOCUMENTS**

- D. 222,521 10/1971 Johnson ..... D7/608
- D. 351,321 10/1994 Steppe, Sr. .... D7/608
- D. 363,858 11/1995 Sweeney ..... D7/608

**1 Claim, 3 Drawing Sheets**

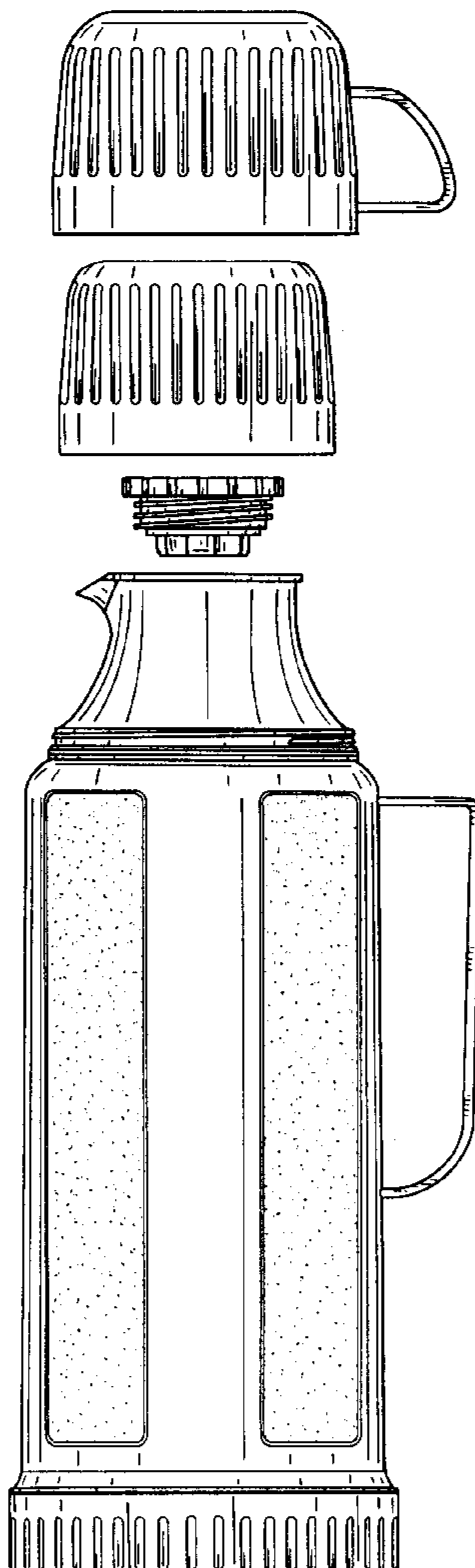


FIG. 3

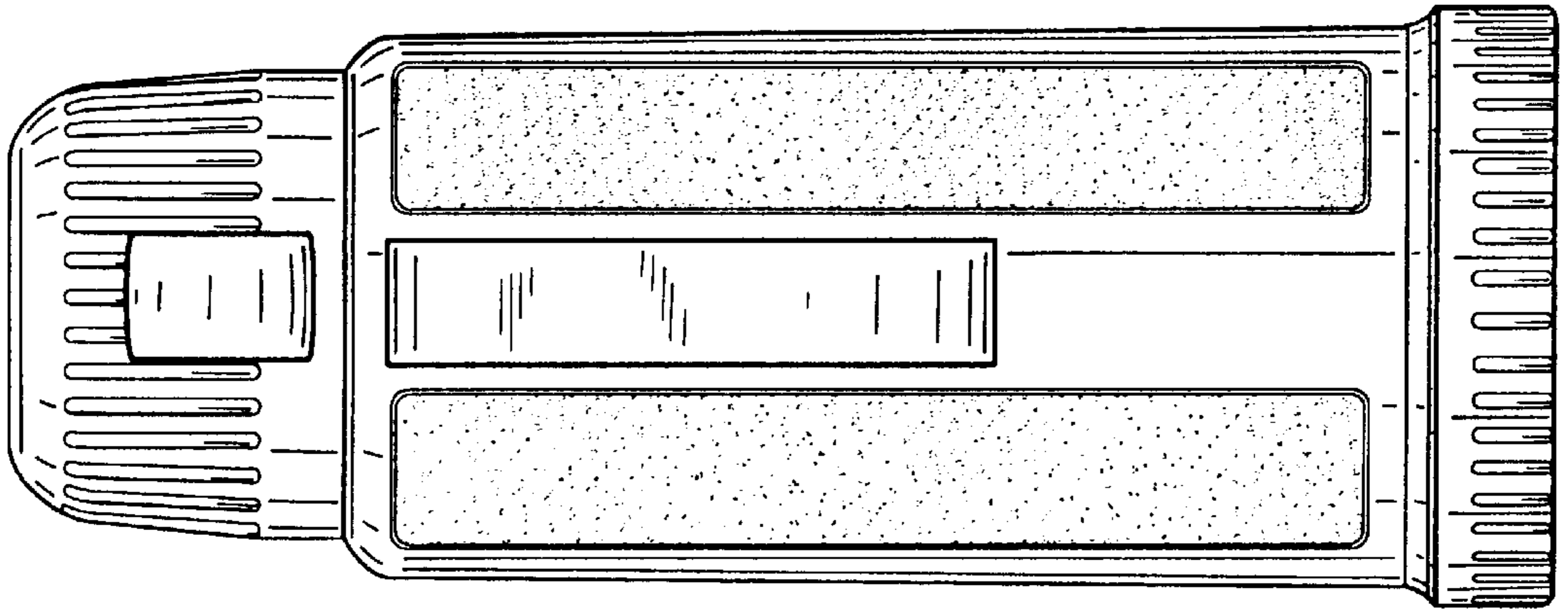


FIG. 2

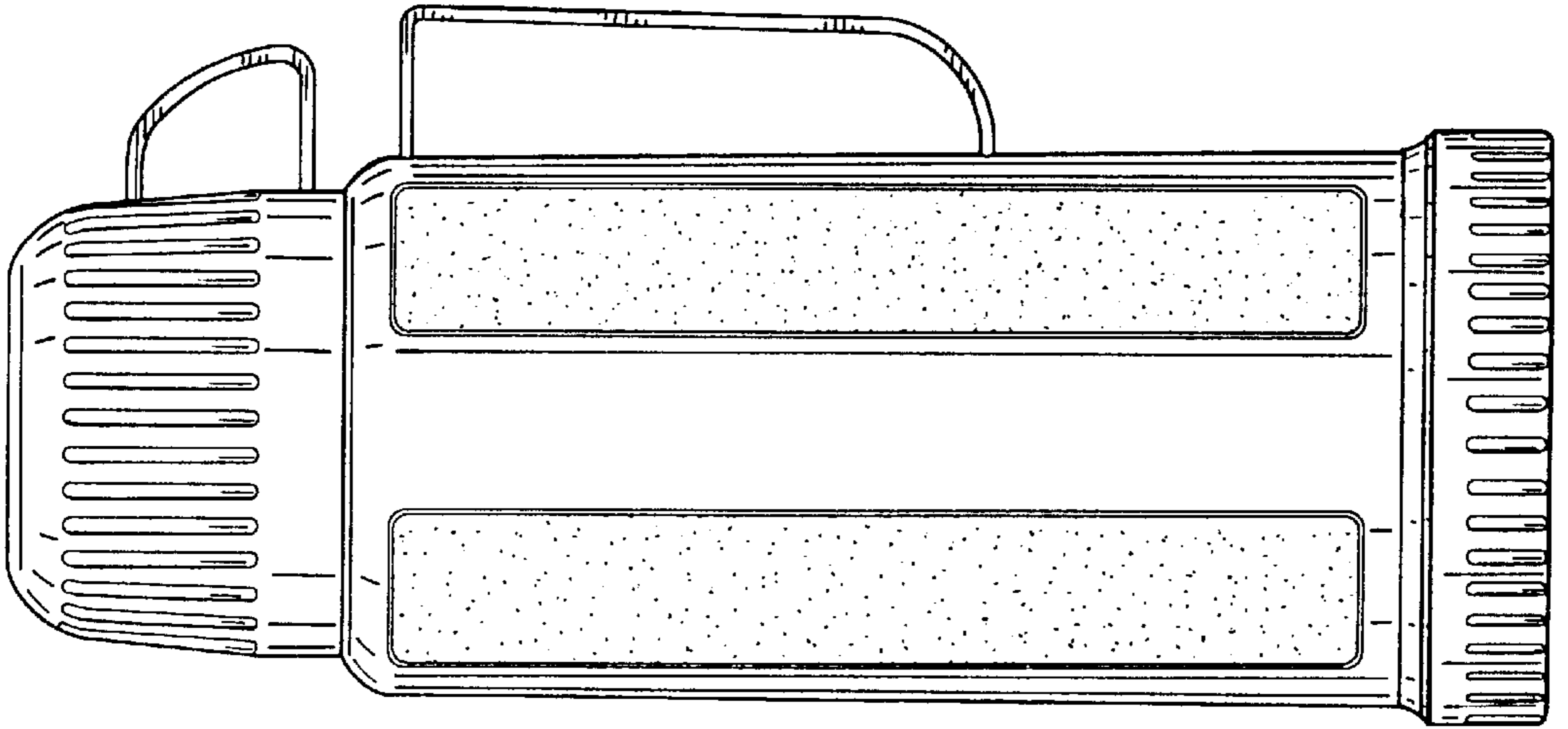
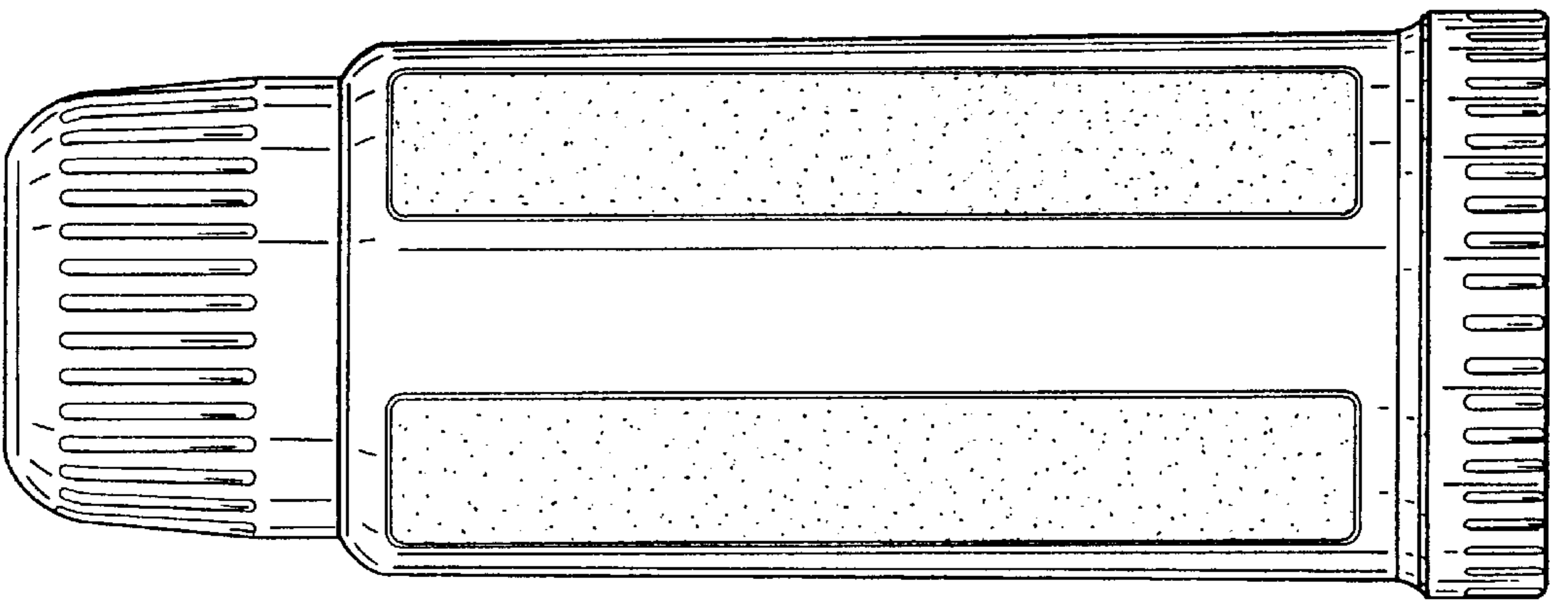


FIG. 1



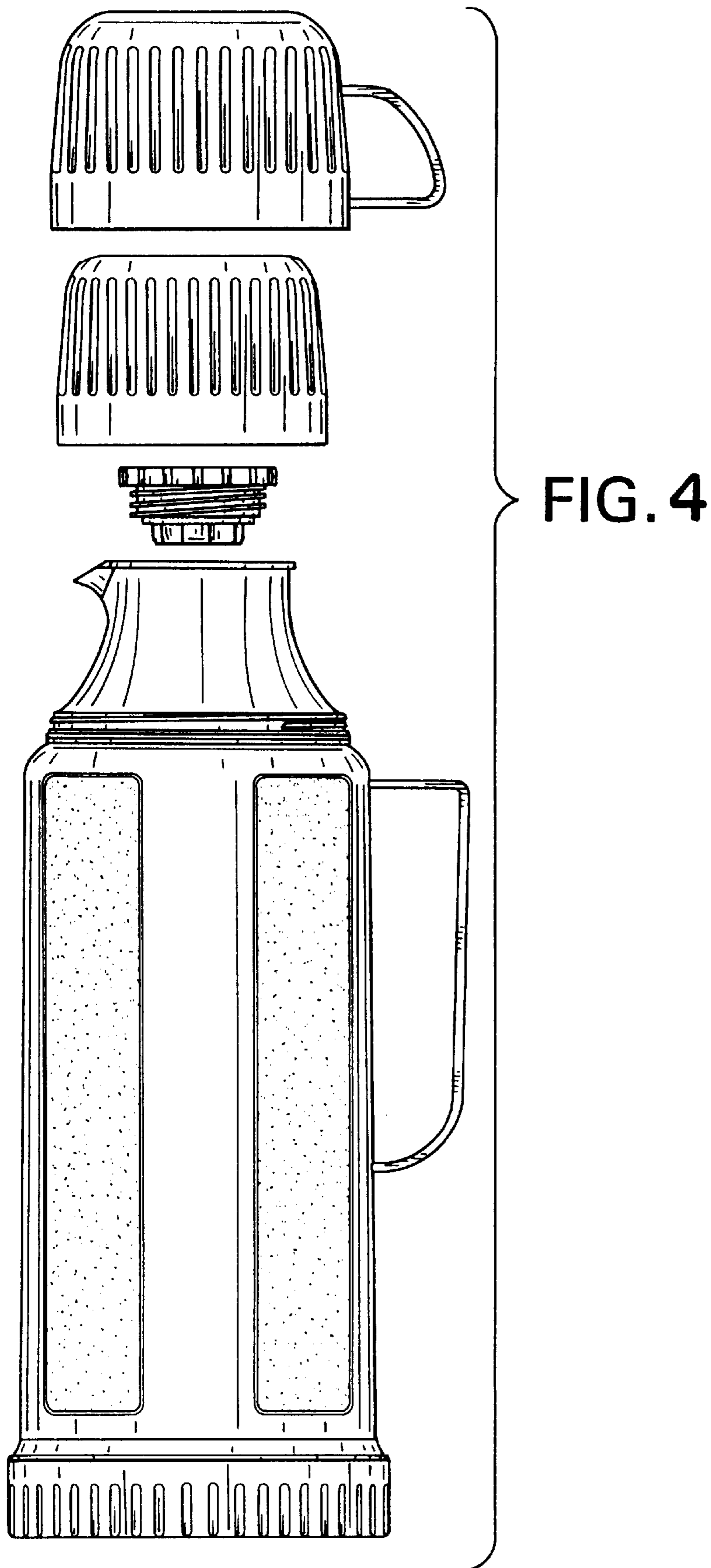


FIG. 7

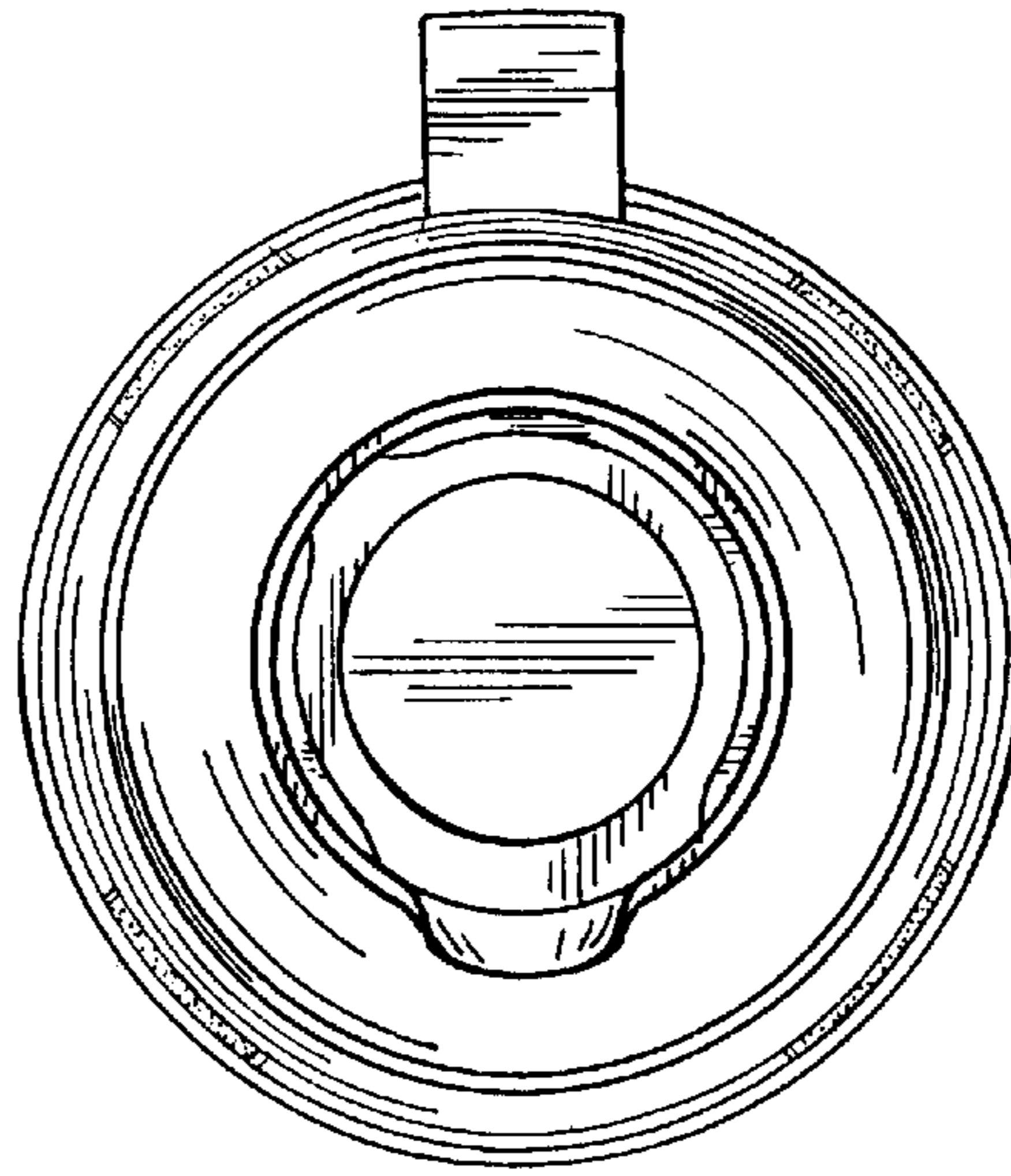


FIG. 6

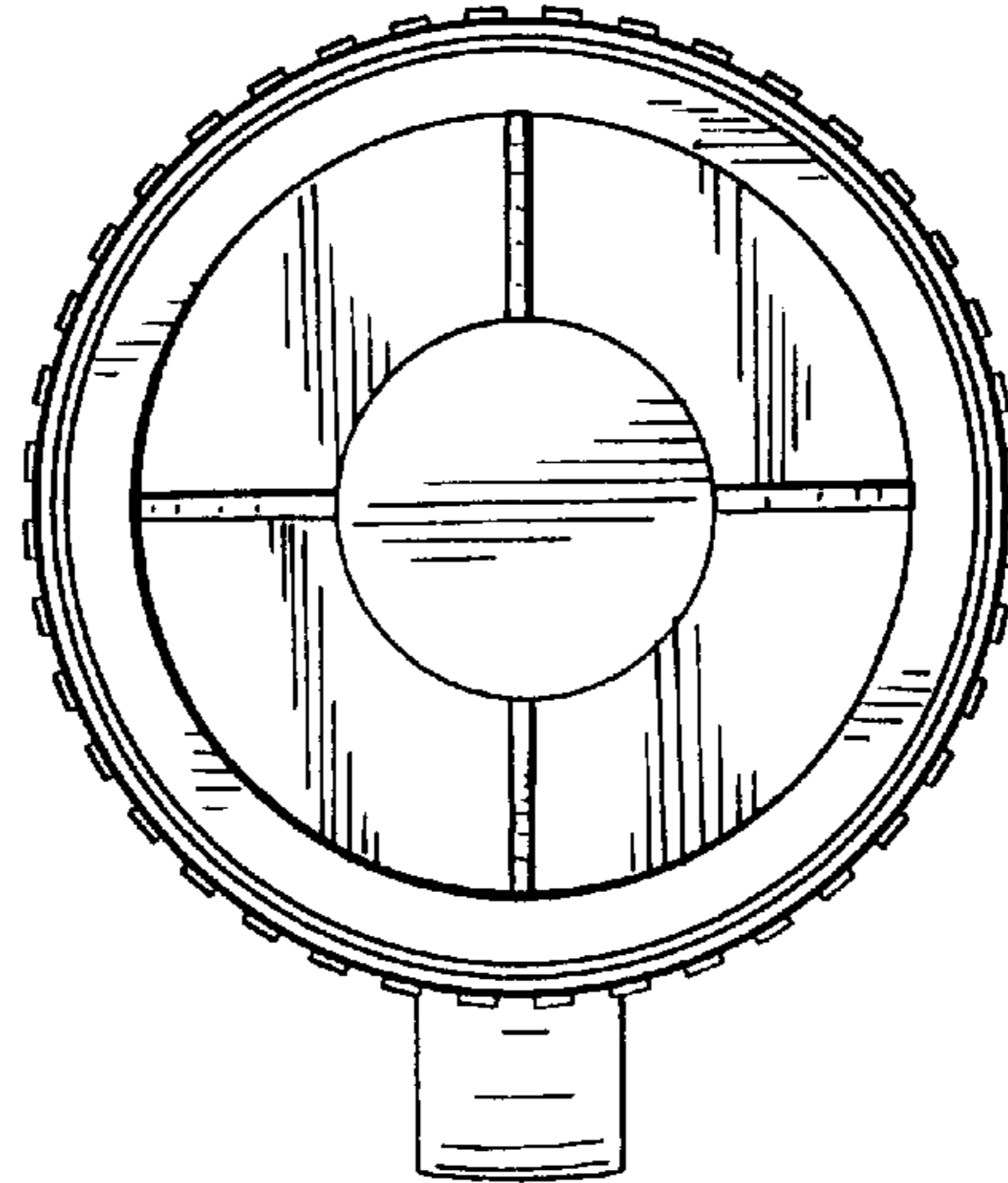


FIG. 5

