



US00D411716S

United States Patent [19]

[11] Patent Number: **Des. 411,716**

Besser et al.

[45] Date of Patent: **** Jun. 29, 1999**

[54] **COMBINED THERMAL BOTTLE AND CUPS**

[75] Inventors: **John E. Besser**, Franklin; **Steven E. McNamee**, Brentwood, both of Tenn.; **James D. Morrow**, Chicago, Ill.

[73] Assignee: **Aladdin Industries, LLC.**, Mufreesboro, Tenn.

[**] Term: **14 Years**

255274	1/1949	Switzerland .
16778	7/1903	United Kingdom .
26157	9/1908	United Kingdom .
602185	5/1948	United Kingdom .
1579133	11/1980	United Kingdom .
2078094	1/1982	United Kingdom .
2172395	9/1986	United Kingdom .
2267144	11/1993	United Kingdom .
2267212	11/1996	United Kingdom .
2295310	11/1996	United Kingdom .

OTHER PUBLICATIONS

Aladdin ® “Stanley” ® Quart brochure, 1995.
 Aladdin ® “Stanley” ® Half Gallon brochure, 1995.
 Aladdin ® “Stanley” ® Wide Mouth brochure, 1995.
 Aladdin ® “Stanley” ® Quart With Two 12-oz. Stanley Foam-Insulated Travel Mugs brochure, 1995.
 Aladdin ® Black “Stanley ” ® Quart With Two 12-oz. Stanley Foam-Insulated Travel Mugs circular, 1995.
 Aladdin’s Rugged American brochure, 1995.
 Aladdin ® Envoy™ brochure, 1995.
 Aladdin ® Executive™ brochure, 1995.
 Aladdin ® Glass Vacuum Bottles brochure, 1995.
 Aladdin ® 1995 Promotional Products Catalog.

Primary Examiner—Mitchell I Siegel
Attorney, Agent, or Firm—Greenblum & Bernstein, P.L.C.

[21] Appl. No.: **29/089,264**

[22] Filed: **Jun. 11, 1998**

[51] **LOC (6) Cl.** **07-01**

[52] **U.S. Cl.** **D7/608**

[58] **Field of Search** D7/603, 608, 502-504, D7/538, 557, 554; 220/410-412, 23.83, 23.86; 215/12.1, 13.1; 62/457.1, 457.3, 457.4, 457.7; D9/502, 503, 557

[56] References Cited

U.S. PATENT DOCUMENTS

D. 189,939	3/1961	Burton	D7/608
D. 222,521	10/1971	Johnson	D7/608
D. 295,355	4/1988	Leung	D7/608
D. 323,758	2/1992	Hoelterscheidt	D7/608 X
D. 377,435	1/1997	Dettmar et al.	.	
D. 386,950	12/1997	Dettmar	.	
D. 395,794	7/1998	Moran	D7/608
1,427,259	8/1922	Burton	.	
1,648,992	11/1927	McAdoo	.	
1,665,179	4/1928	Savage	.	
3,067,896	12/1962	Berg et al.	215/12.1
3,232,468	2/1966	Rownd	215/13.1
3,327,881	6/1967	Maier	.	
3,373,888	3/1968	Fuller et al.	.	
3,627,162	12/1971	Dossin et al.	.	
5,086,926	2/1992	Paige et al.	.	
5,299,705	4/1994	Dettmar	.	

FOREIGN PATENT DOCUMENTS

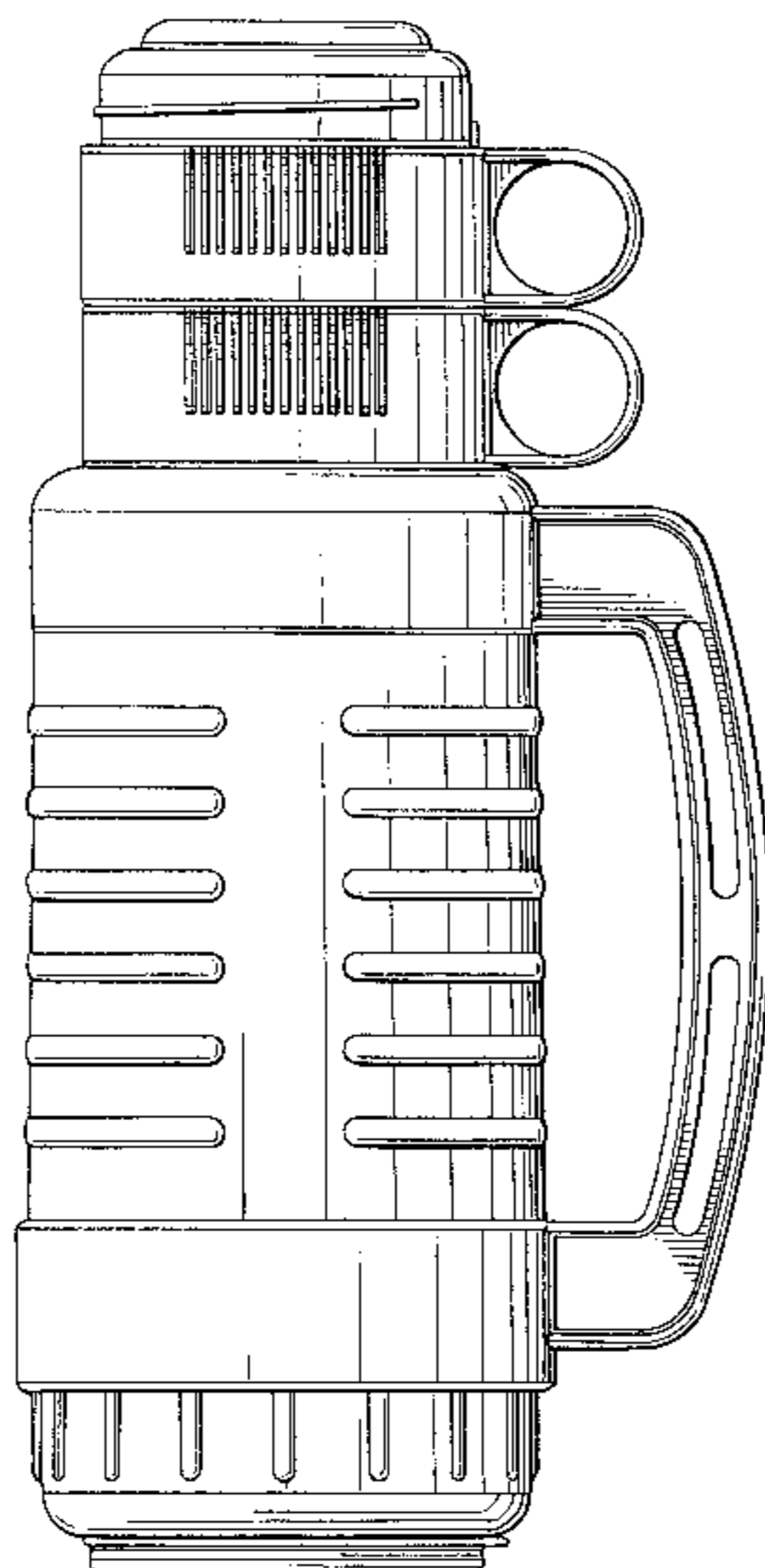
0571141	11/1993	European Pat. Off.	.
395845	5/1924	Germany	.

[57] CLAIM

We claim the ornamental design for a combined thermal bottle and cups, as shown and described.

DESCRIPTION

FIG. 1 is a front view of a combined thermal bottle and cups, the undisclosed opposite side being a mirror image;
 FIG. 2 is a right side view thereof;
 FIG. 3 is a left side view thereof;
 FIG. 4 is a top view thereof;
 FIG. 5 is a bottom view thereof;
 FIG. 6 is a front view thereof, the undisclosed opposite side being a mirror image, shown without the cups for clarity of illustration;
 FIG. 7 is a right side view of FIG. 6 thereof;
 FIG. 8 is a left side view of FIG. 6 thereof;
 FIG. 9 is a top view of FIG. 6 thereof;



Des. 411,716

Page 2

FIG. 10 is a perspective view of FIG. 6 thereof;
FIG. 11 is a front view of one of the cups, the undisclosed
opposite side being a mirror image;
FIG. 12 is a top view of FIG. 11;
FIG. 13 is a bottom view of FIG. 11;

FIG. 14 is a right side view of FIG. 11;
FIG. 15 is a left side view of FIG. 11; and,
FIG. 16 is a perspective view of FIG. 11.

1 Claim, 12 Drawing Sheets

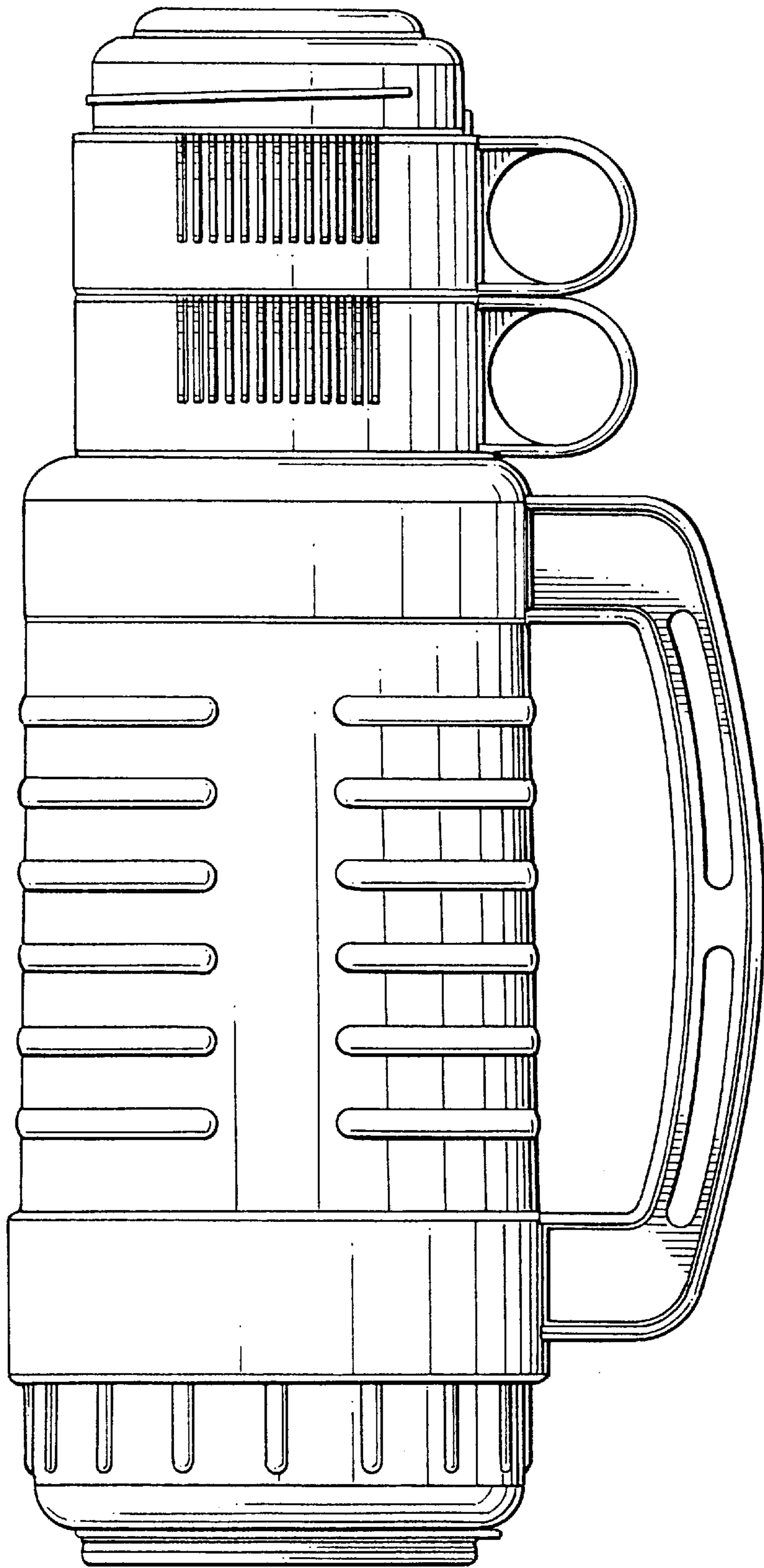


FIG. 1

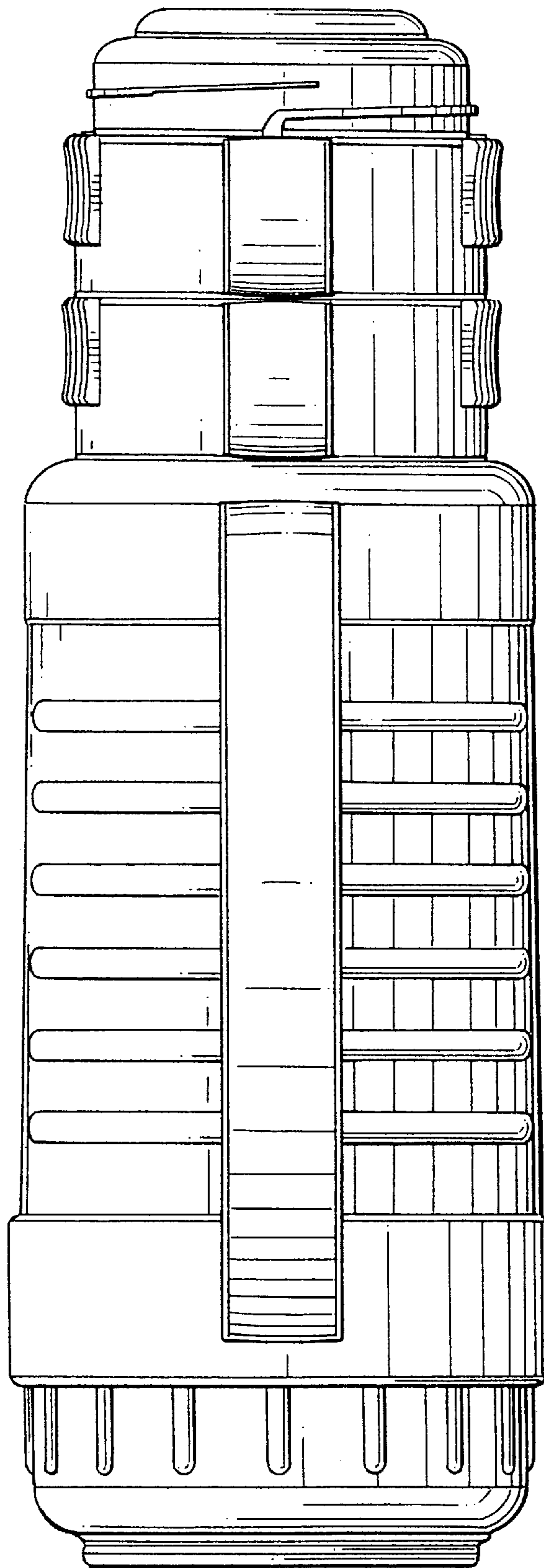


FIG. 2

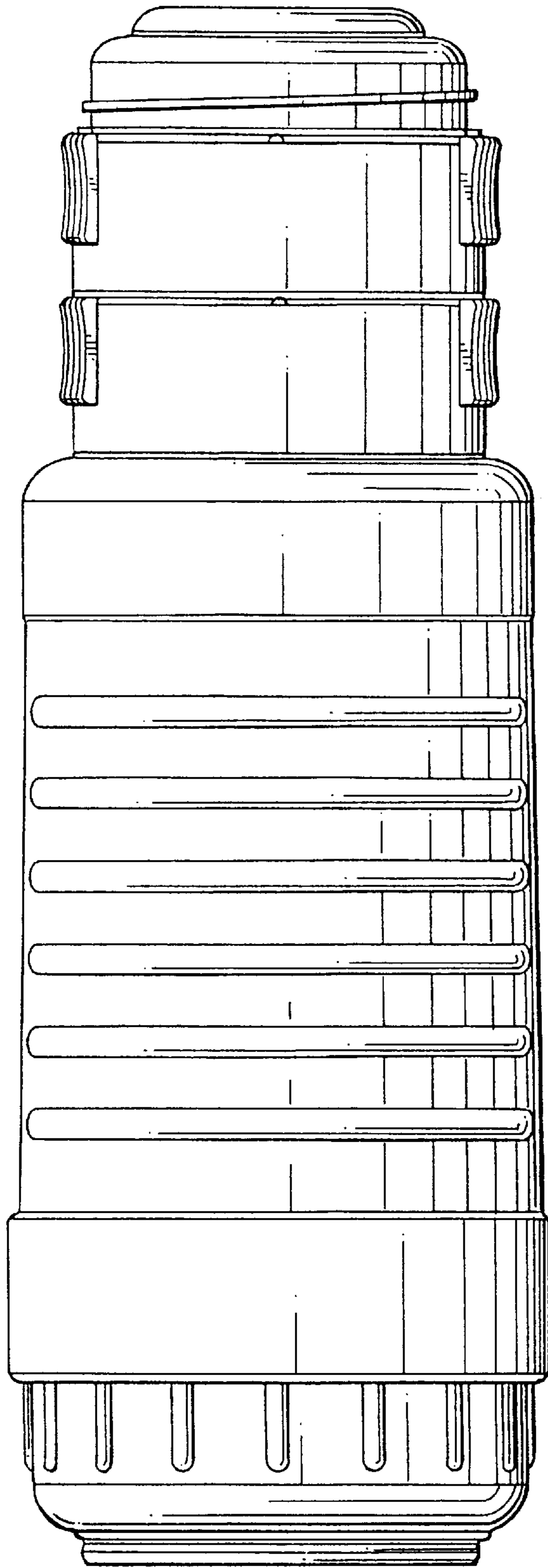


FIG. 3

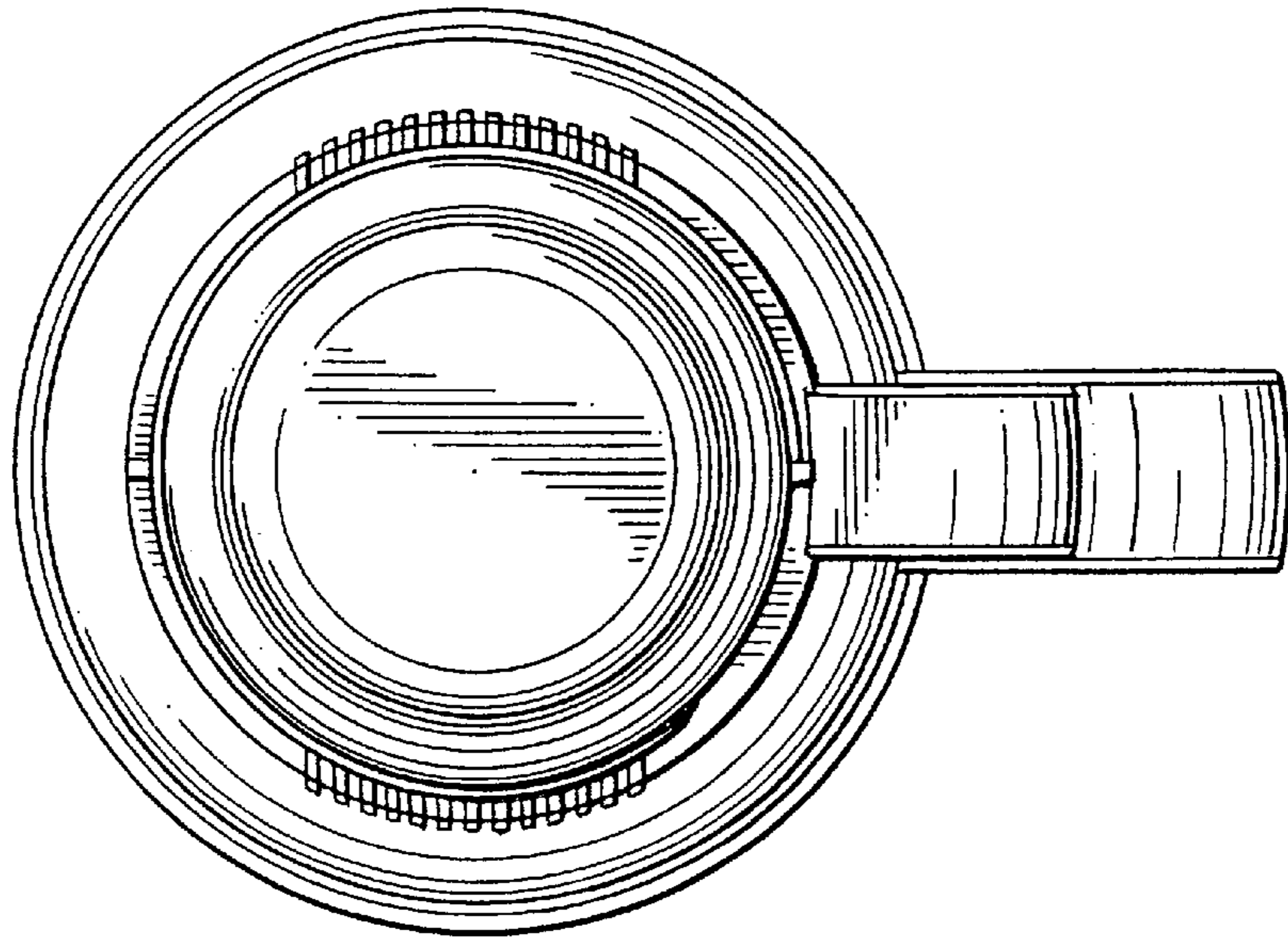


FIG. 4

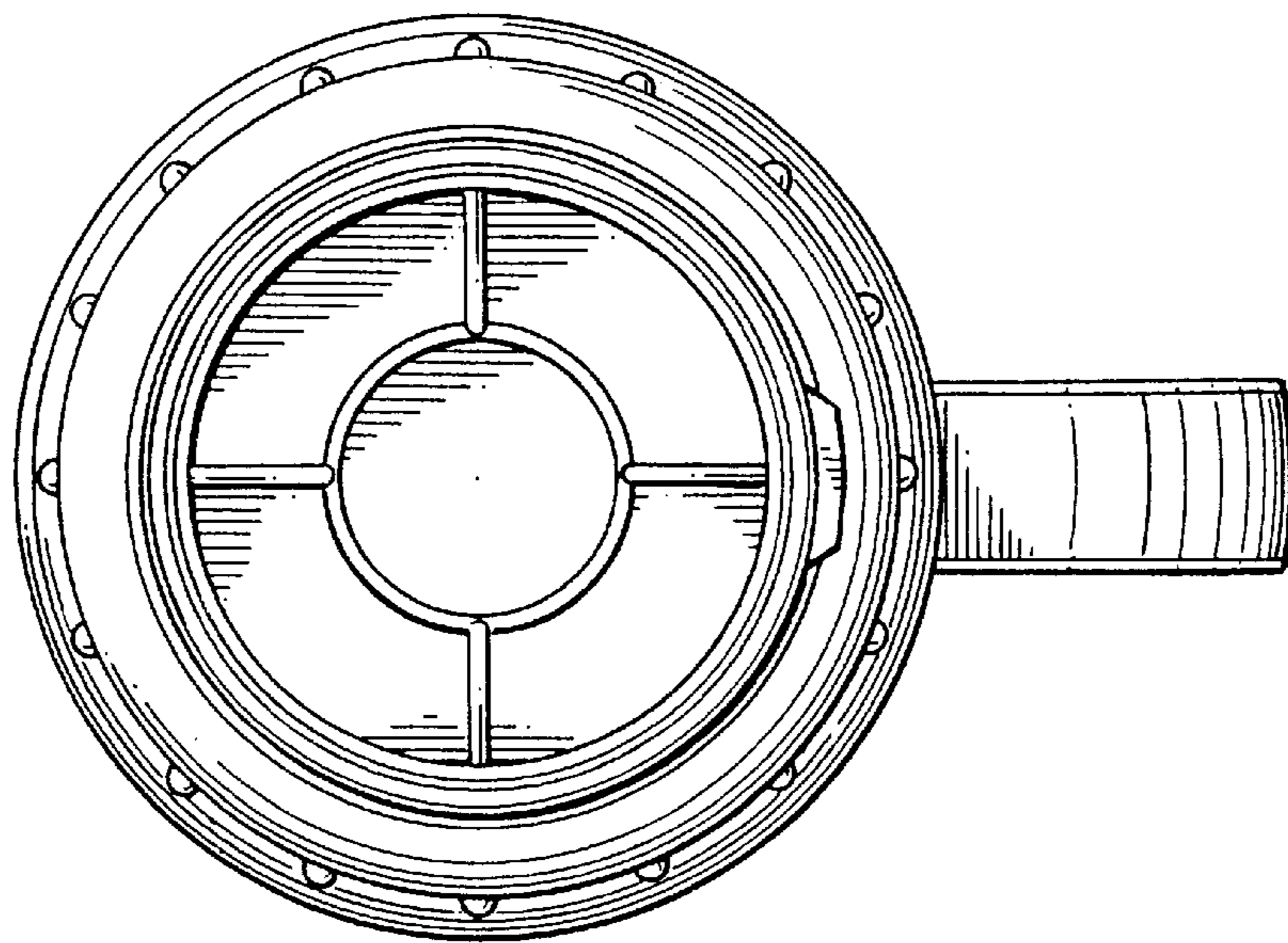


FIG. 5

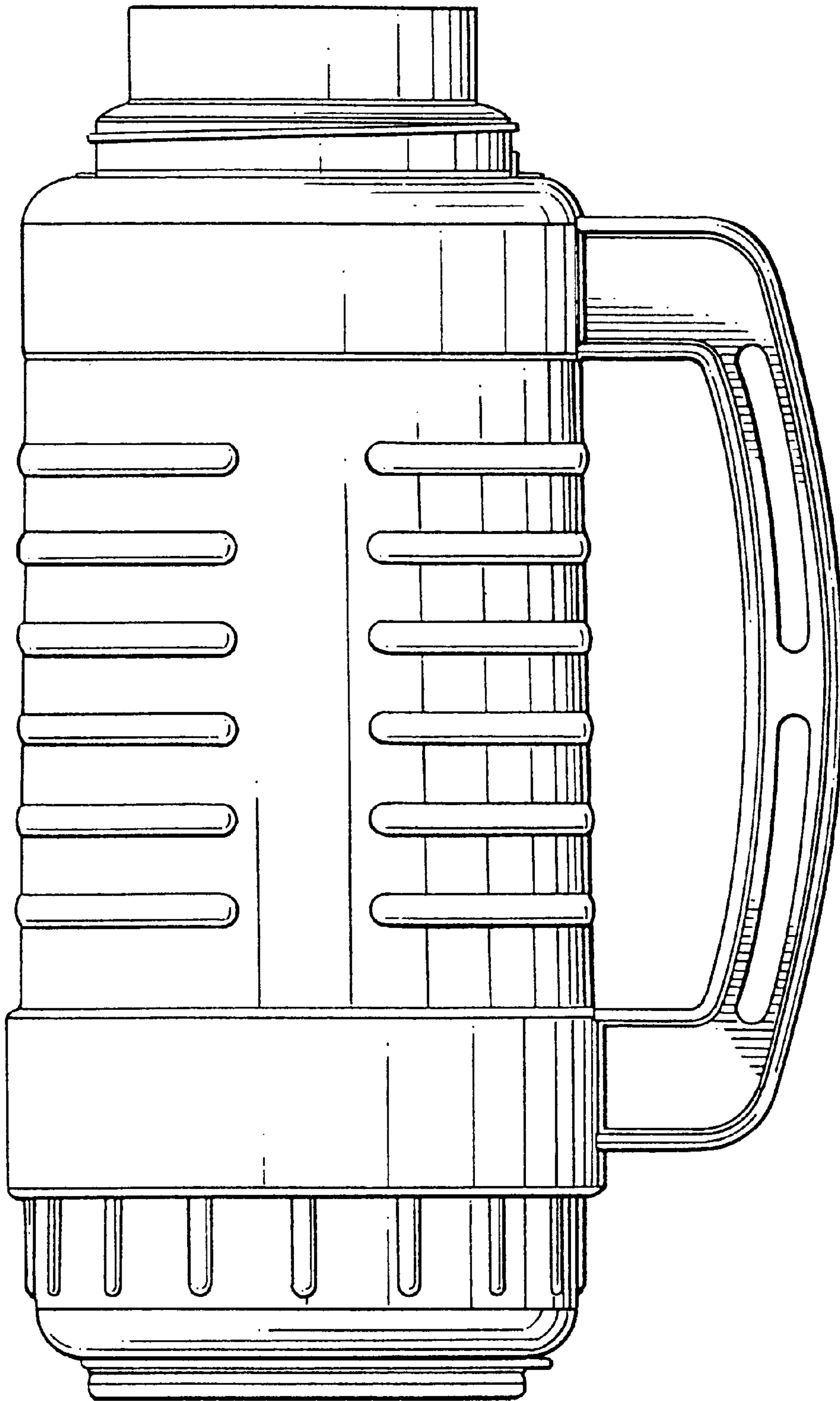


FIG. 6

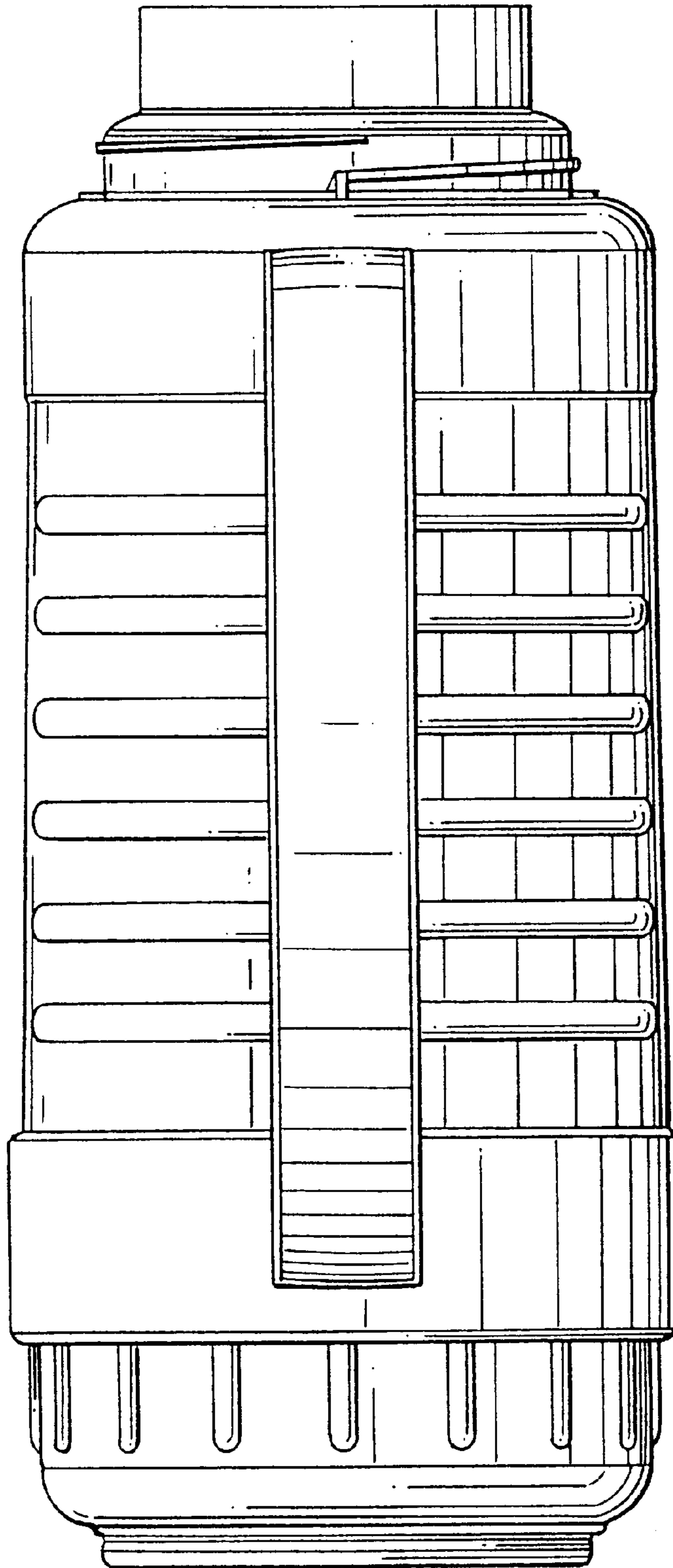


FIG. 7

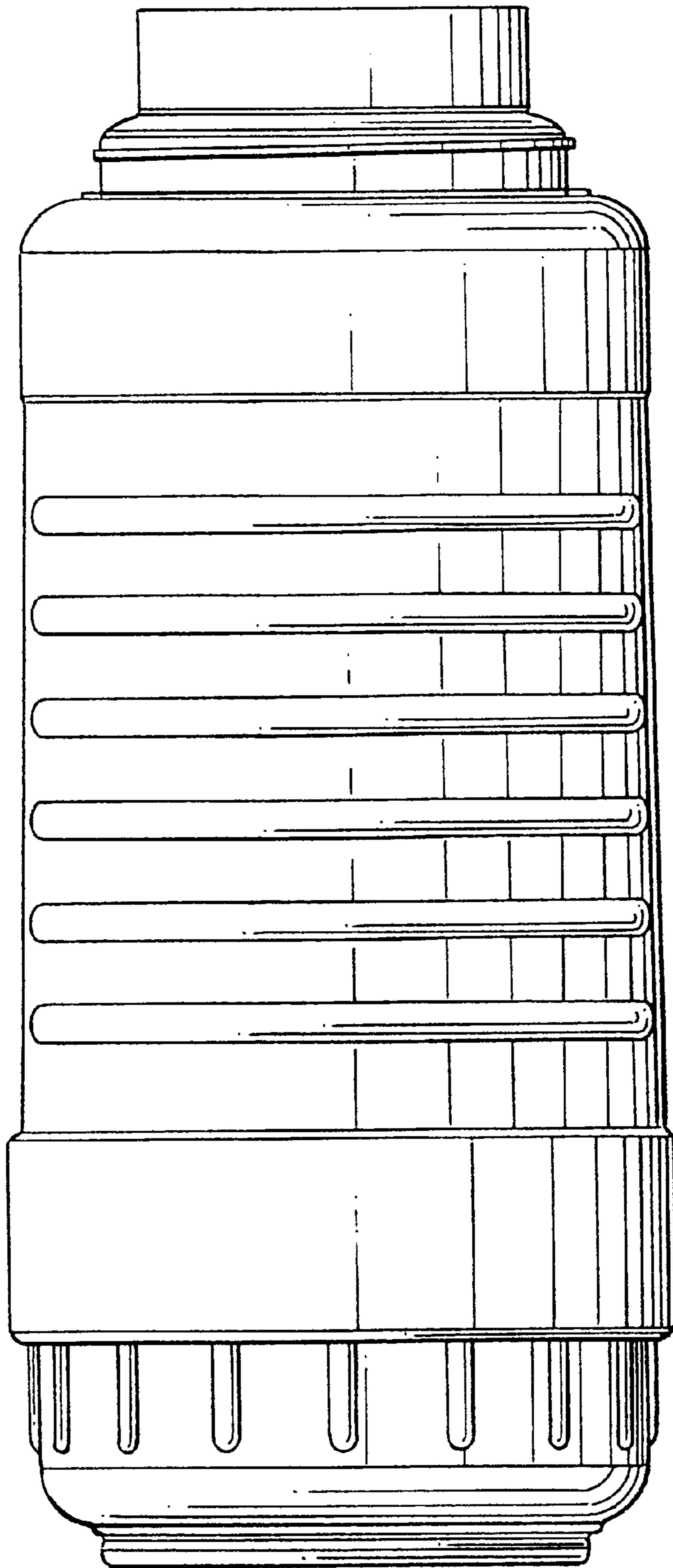


FIG.8

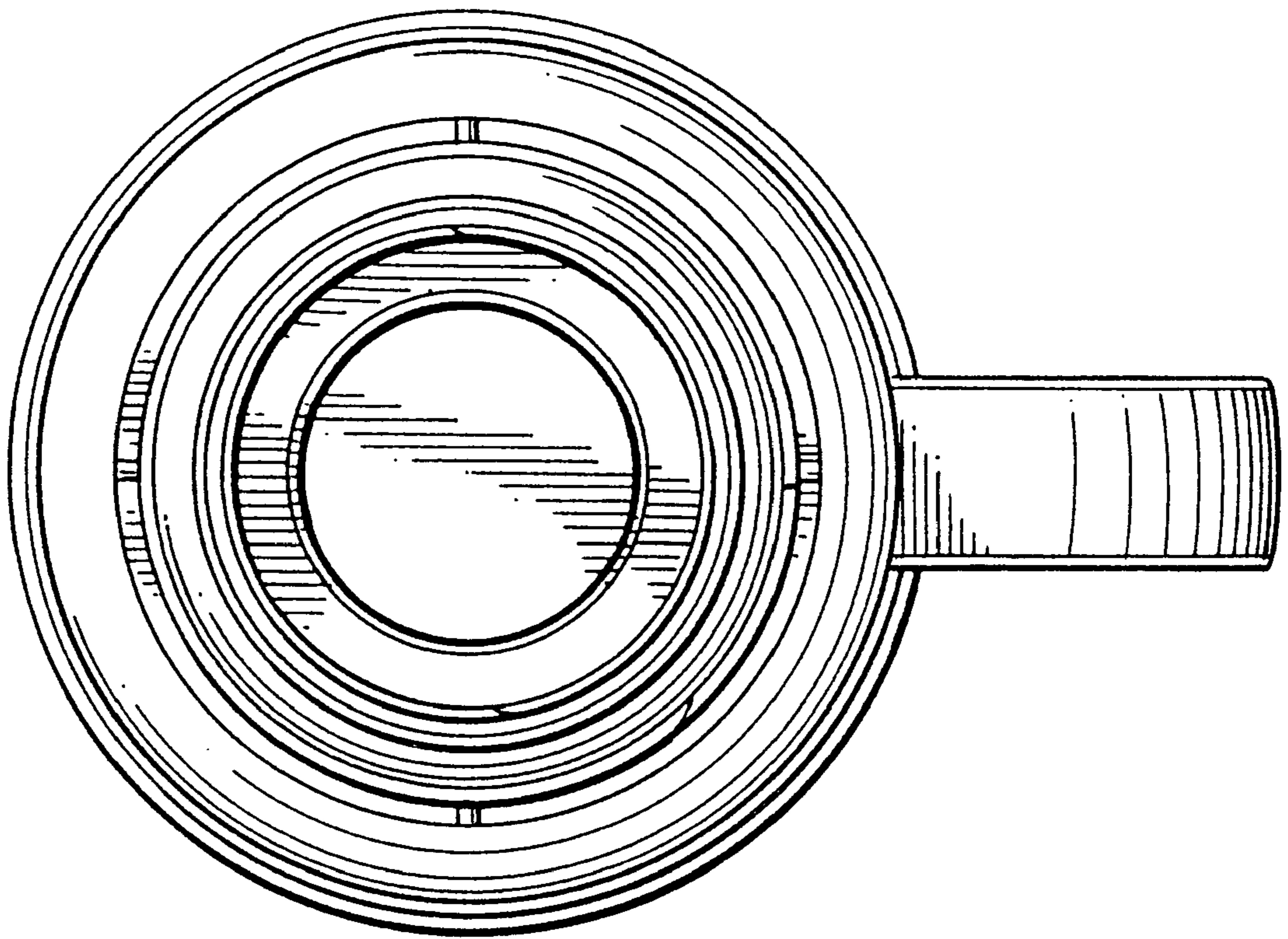


FIG. 9

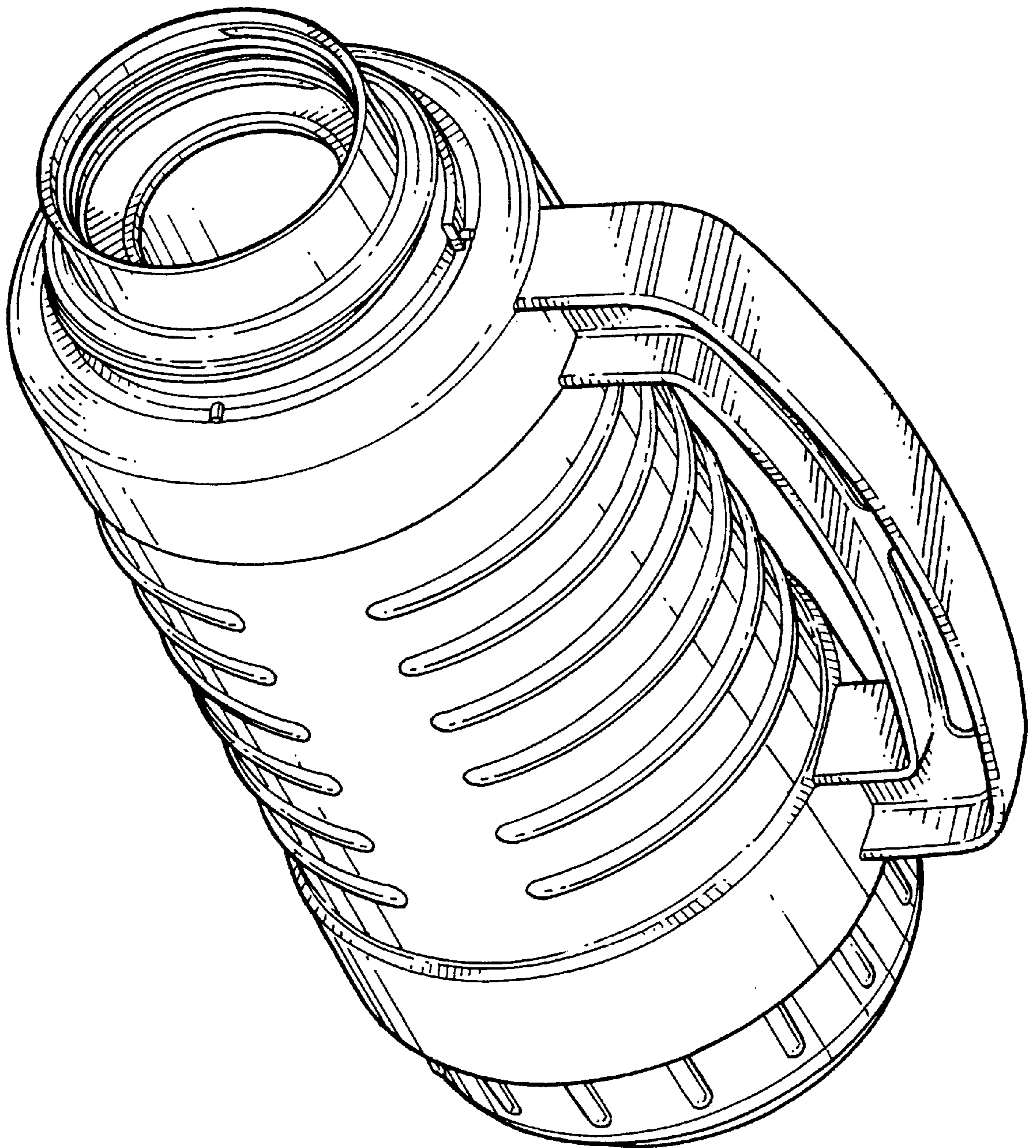


FIG. 10

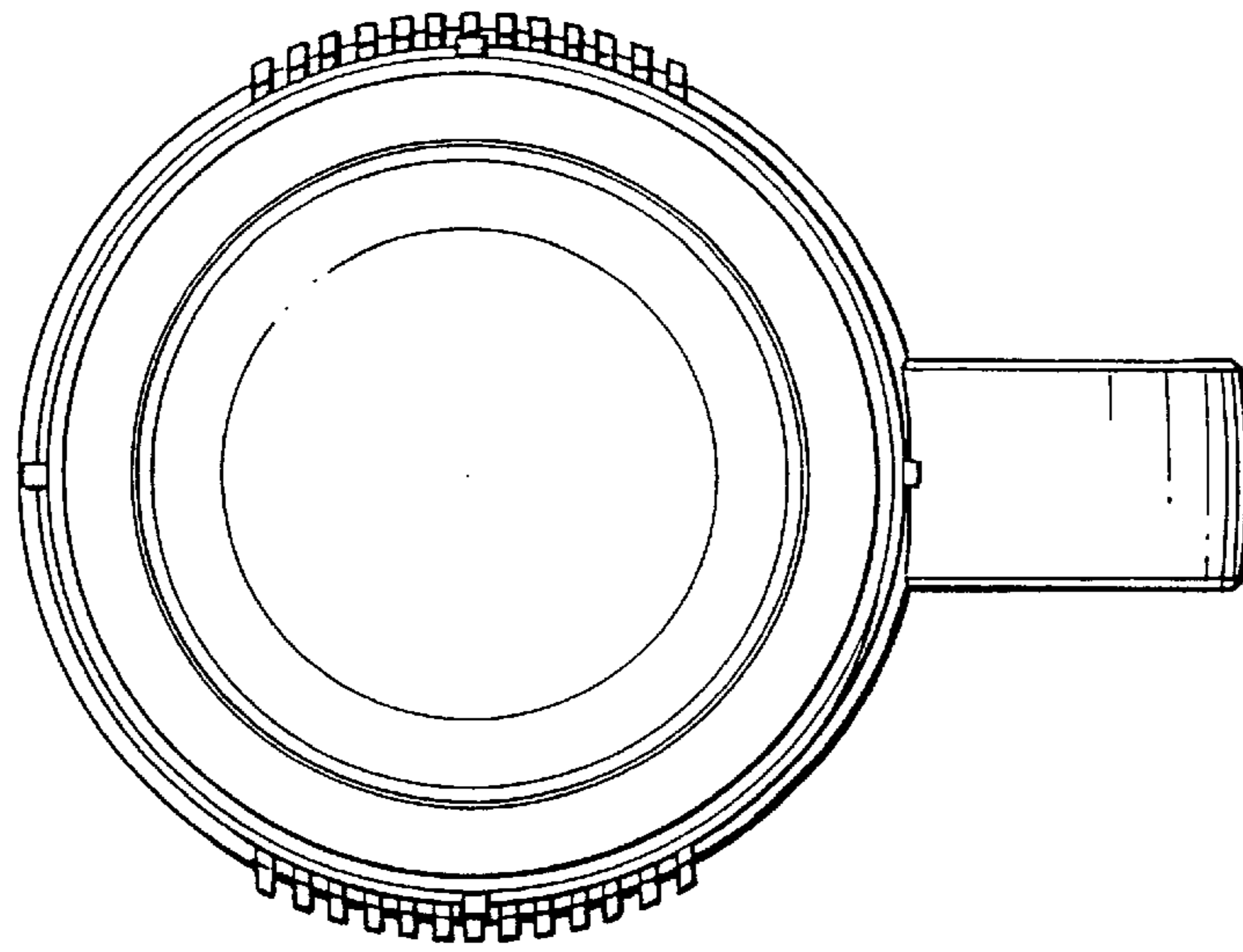


FIG. 12

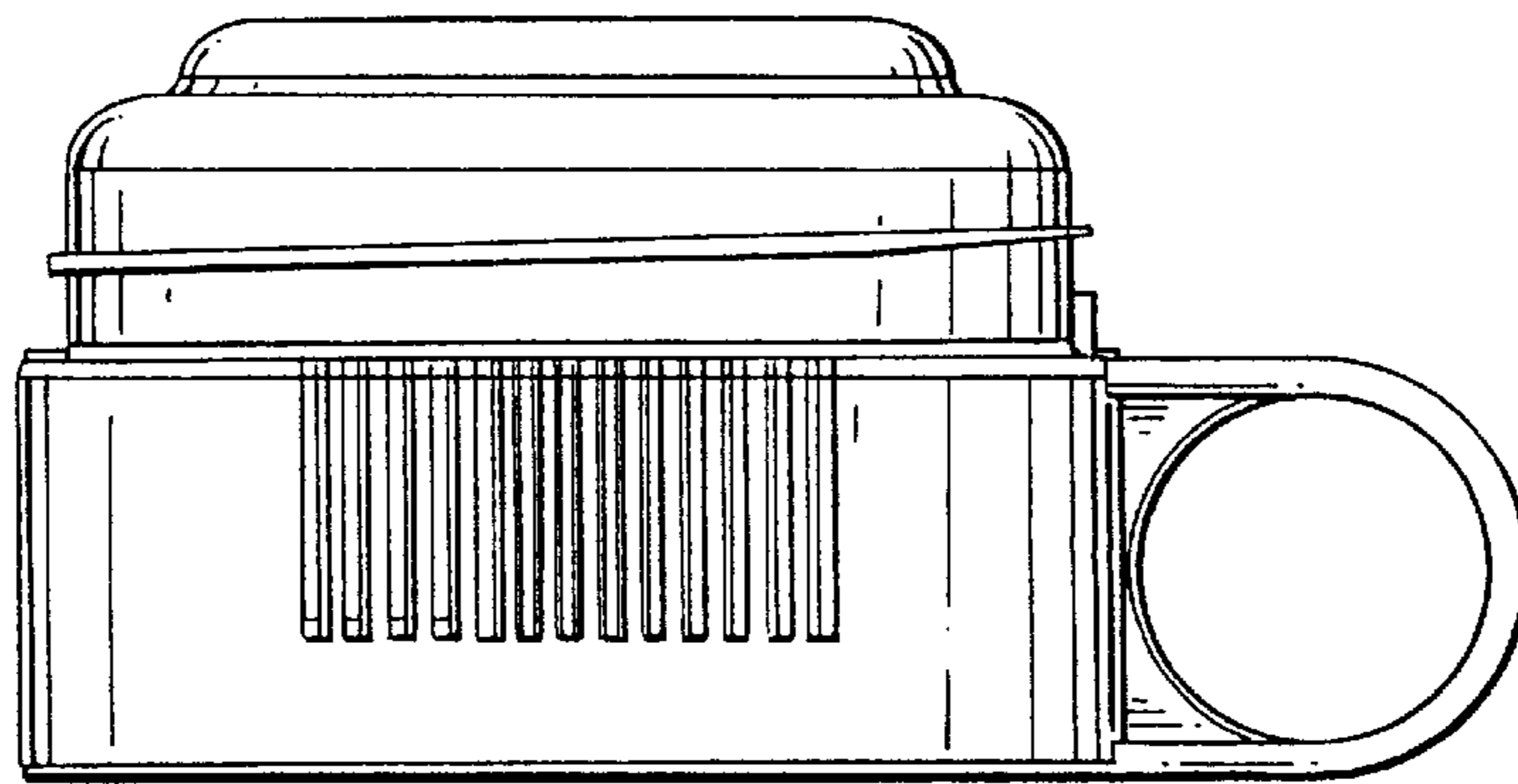


FIG. 11

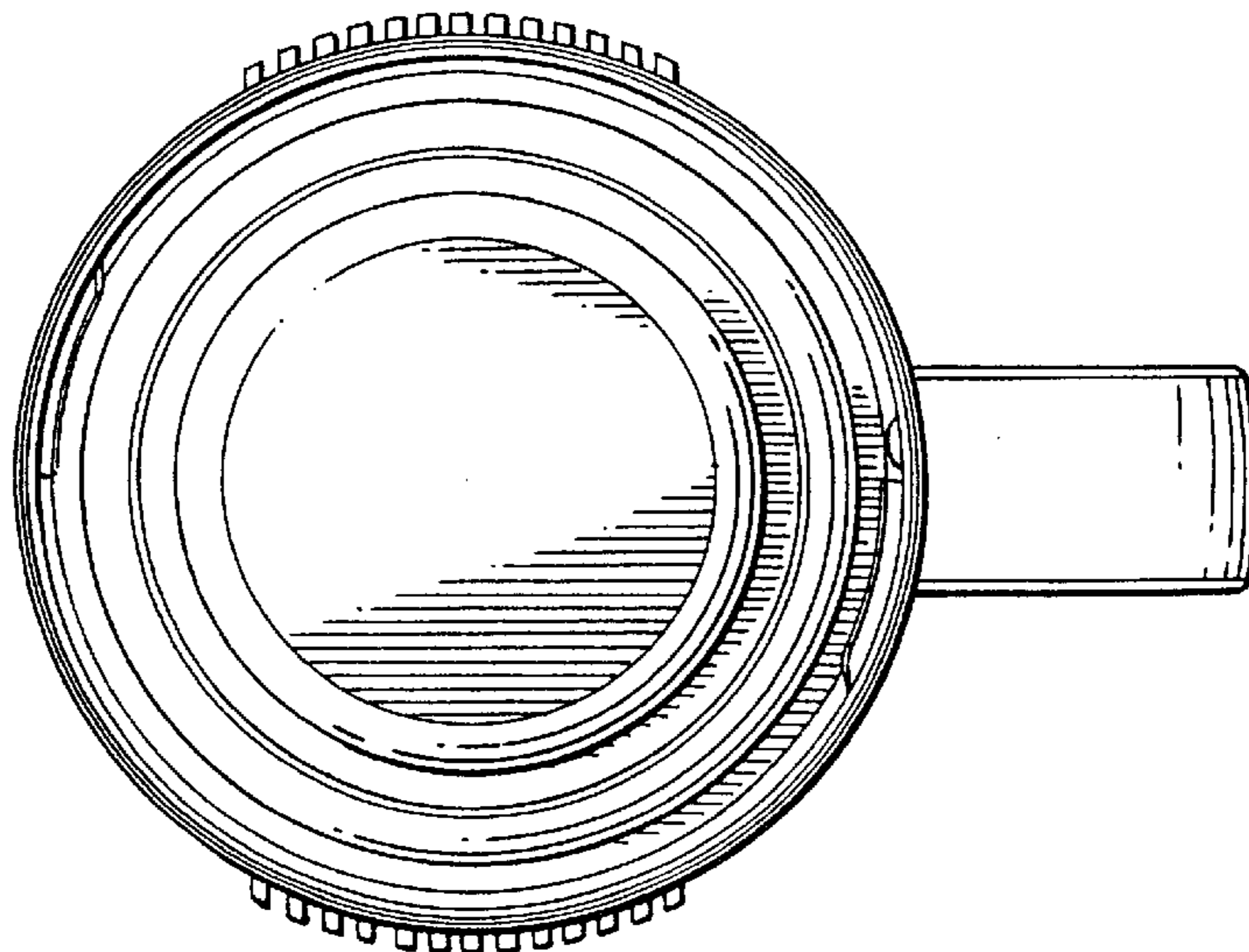


FIG. 13

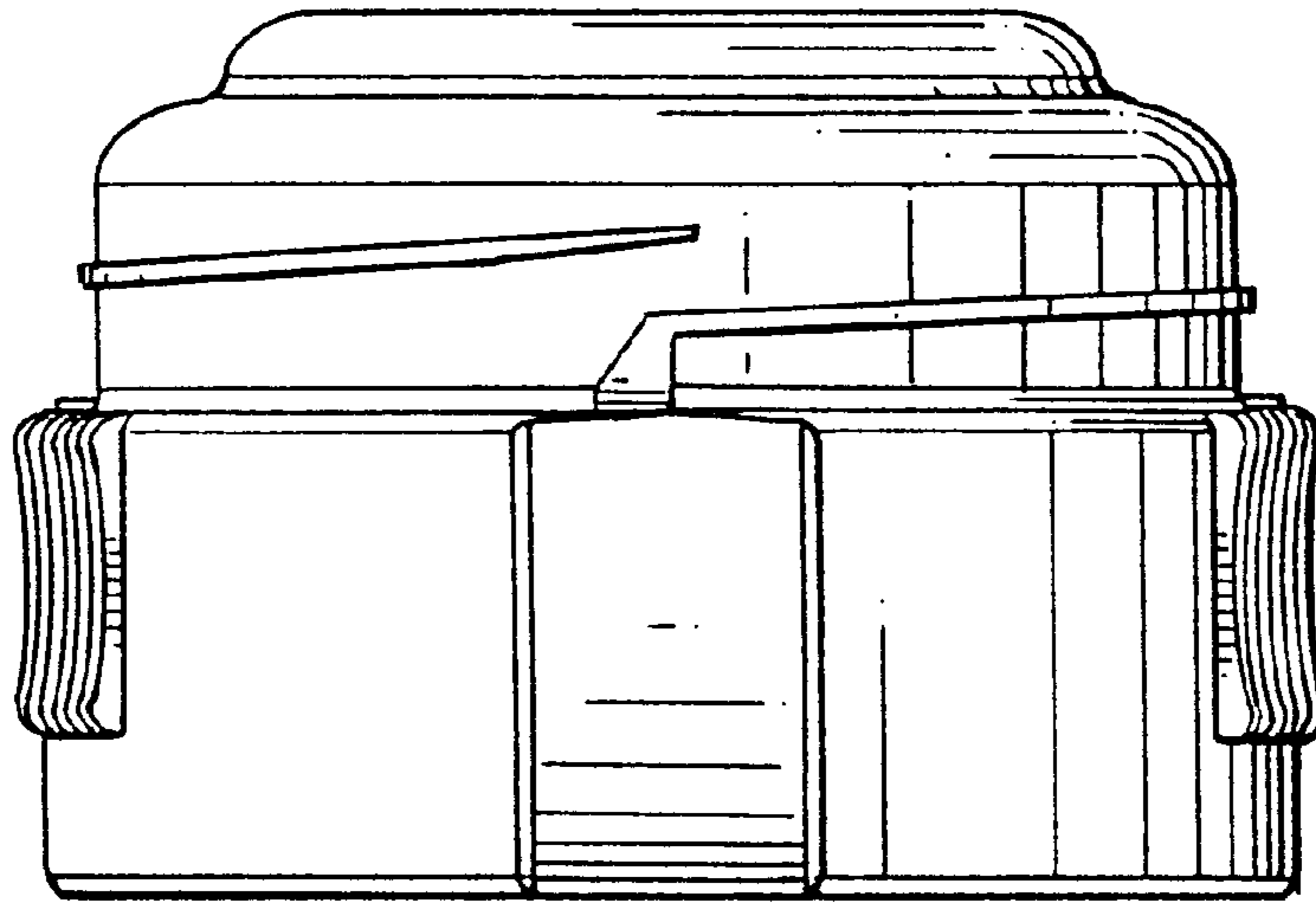


FIG. 14

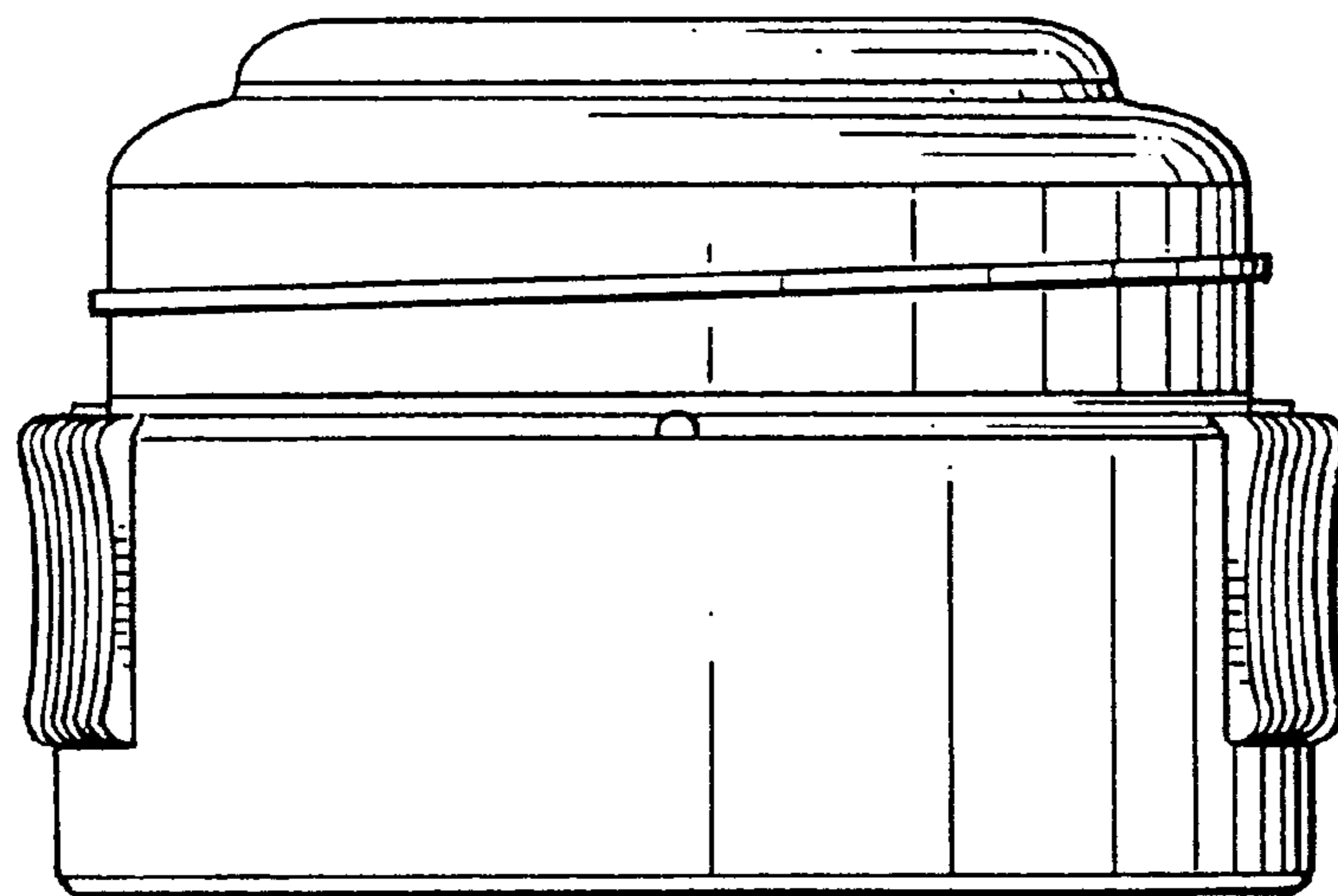


FIG. 15

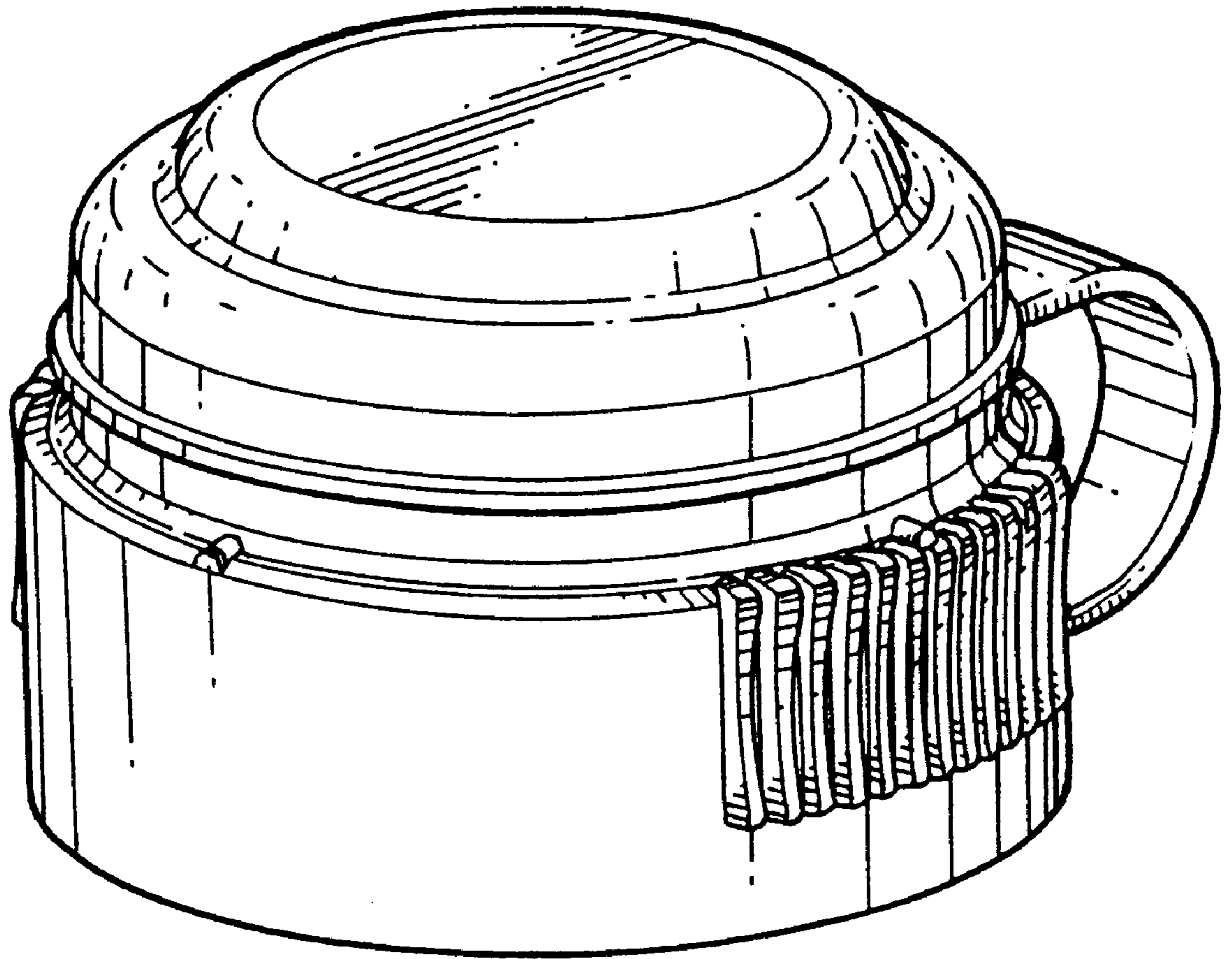


FIG. 16