



US00D411714S

United States Patent [19]

Wilson et al.

[11] Patent Number: Des. 411,714

[45] Date of Patent: ** Jun. 29, 1999

[54] **ROUND CONTAINER WITH LID**
[75] Inventors: **Daniel C. Wilson**, Carmel, Ind.; **Jeffrey J. Zettle**, Bay City, Mich.; **Donald E. Hodge**, Clare, Mich.; **Eric B. Schaper**, Midland, Mich.

[73] Assignee: **S. C. Johnson Home Storage, Inc.**, Racine, Wis.

[**] Term: **14 Years**

[21] Appl. No.: **29/089,834**

[22] Filed: **Jun. 24, 1998**

[51] **LOC (6) Cl.** **07-01**

[52] **U.S. Cl.** **D7/602**

[58] **Field of Search** D7/601, 602, 538-542, D7/629; D9/414-432; 62/457.1, 457.6, 371, 372; 220/306, 352, 356, 574

[56] **References Cited**

U.S. PATENT DOCUMENTS

- D. 61,009 5/1922 Amato D7/608
- D. 228,542 10/1973 Swett D7/629
- D. 309,554 7/1990 Meisner .

- D. 332,897 2/1993 Bucher et al. .
- D. 336,596 6/1993 Osgood .
- D. 344,210 2/1994 Cousins et al. .
- D. 352,423 11/1994 Laib .
- D. 353,521 12/1994 Booten .
- D. 367,589 3/1996 Zimmerman .
- D. 376,960 12/1996 Ferris .
- D. 398,485 9/1998 Landauer et al. D7/629

Primary Examiner—Mitchell I Siegel

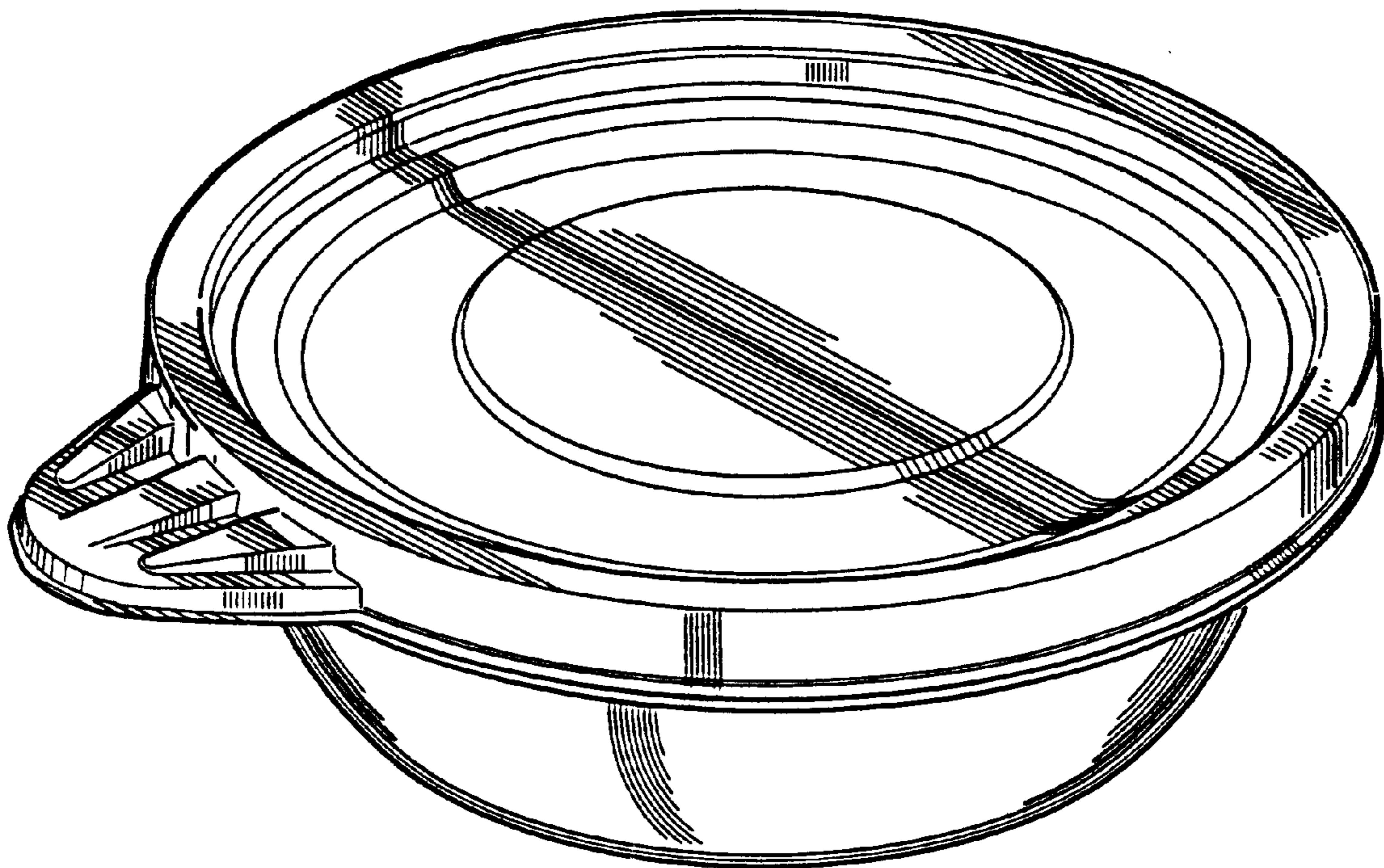
[57] **CLAIM**

The ornamental design for a round container with lid, as shown and described.

DESCRIPTION

FIG. 1 is a front perspective view illustrating a round container with lid constructed in accordance with the teachings of the present invention; FIG. 2 is a top plan view thereof; FIG. 3 is a bottom plan view thereof; FIG. 4 is a front view thereof; FIG. 5 is a rear view thereof; FIG. 6 is a left side view; and, FIG. 7 is a right side view thereof.

1 Claim, 3 Drawing Sheets



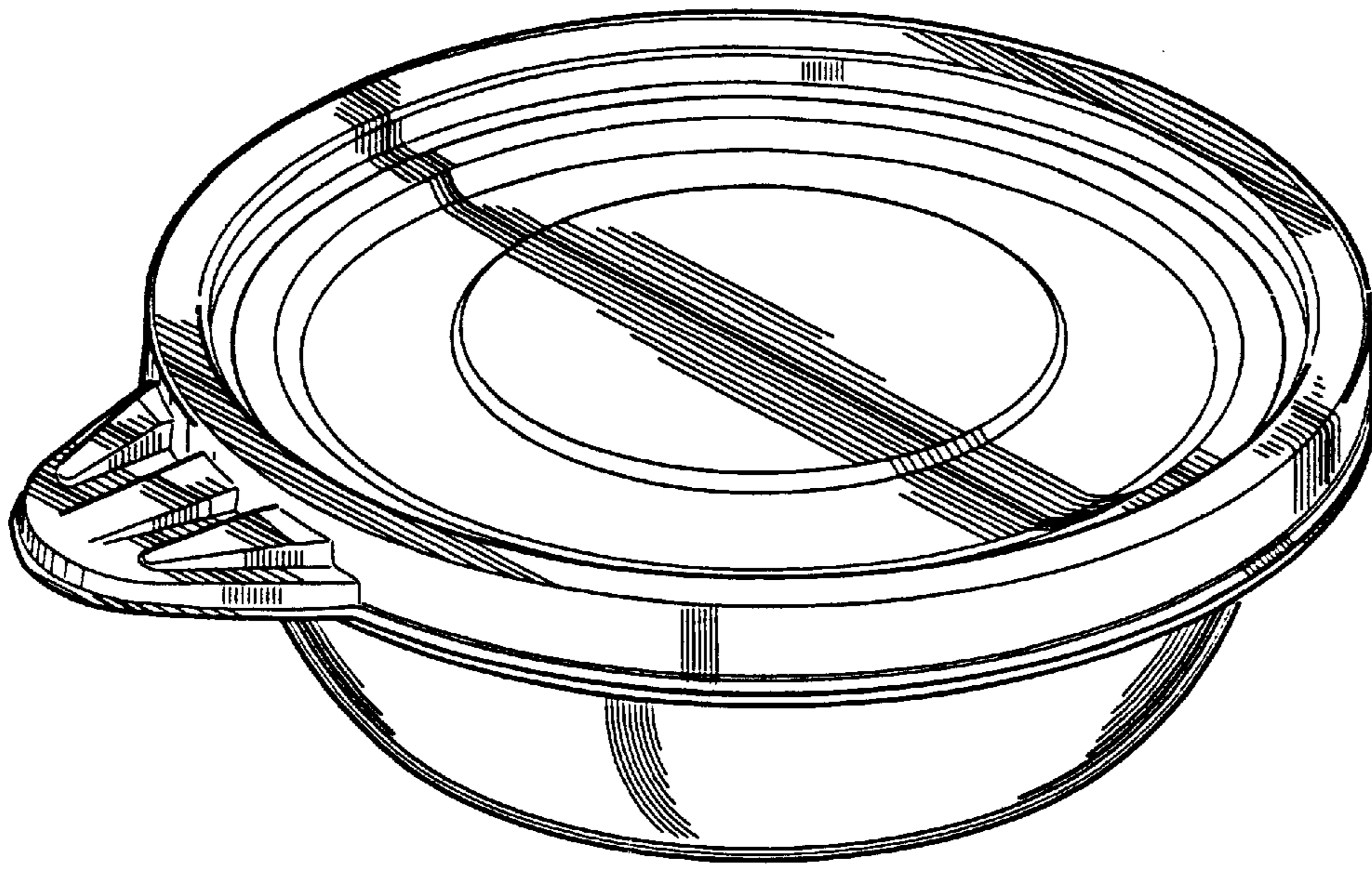


Fig-1

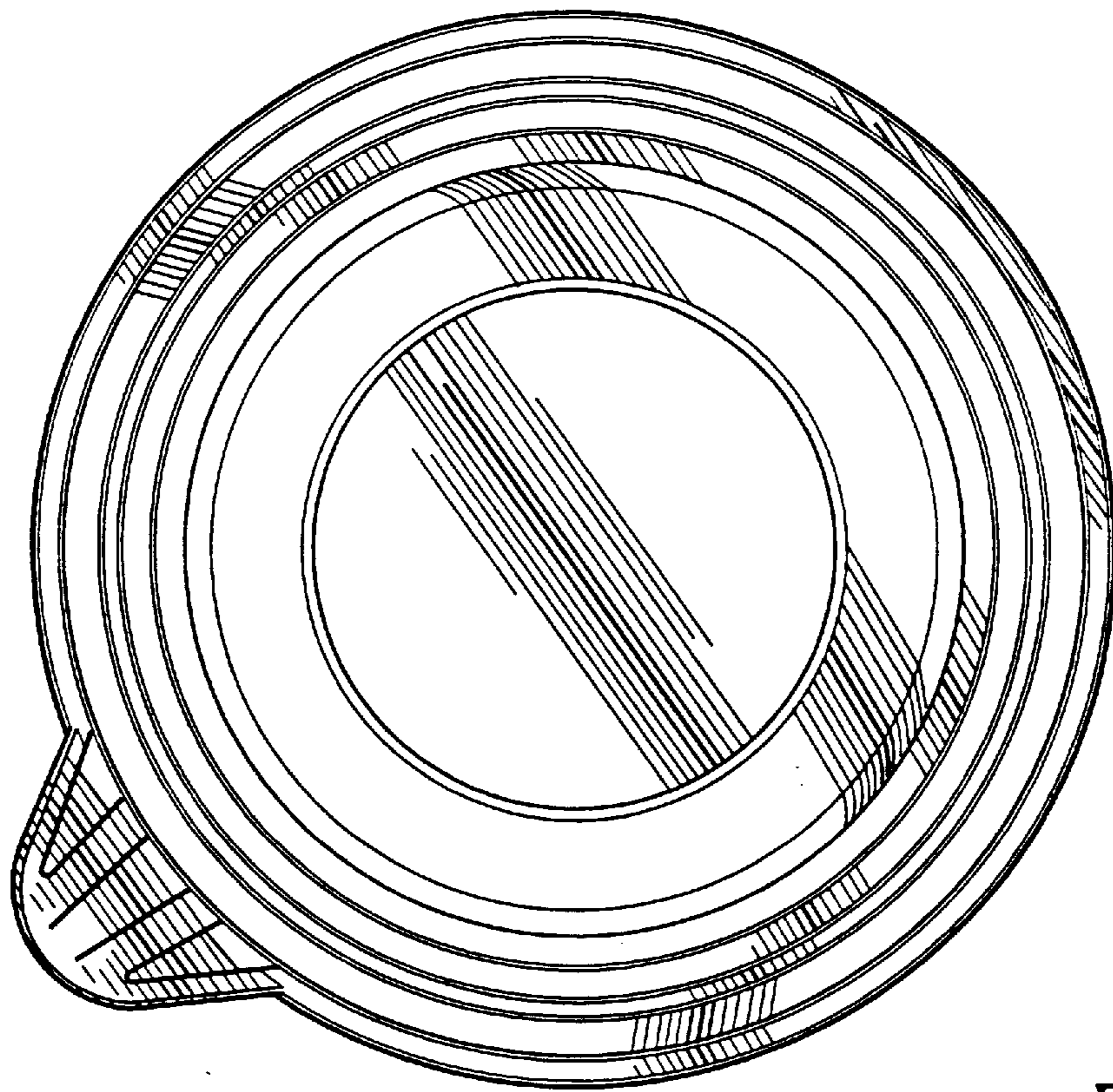


Fig-2

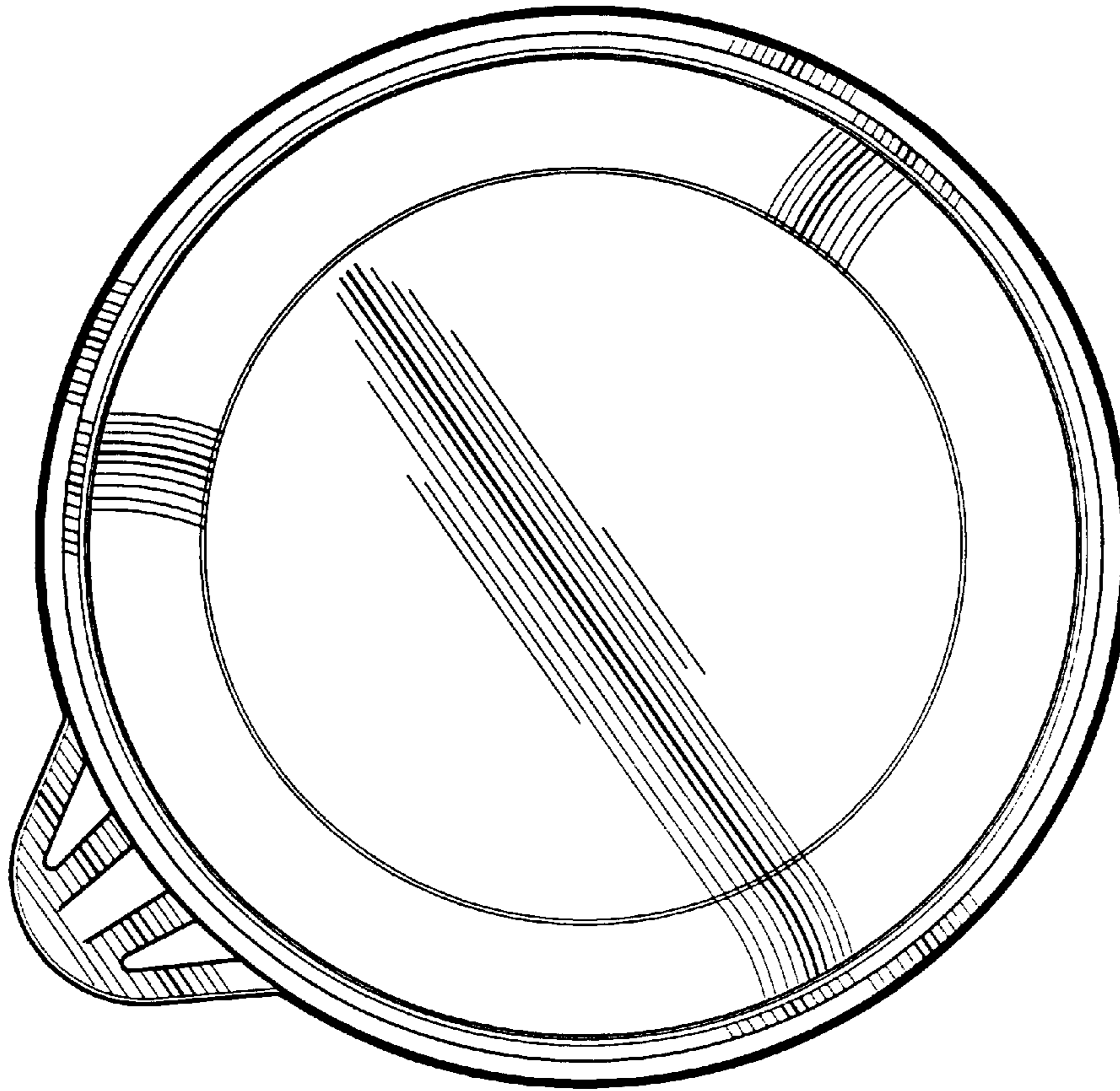


Fig-3

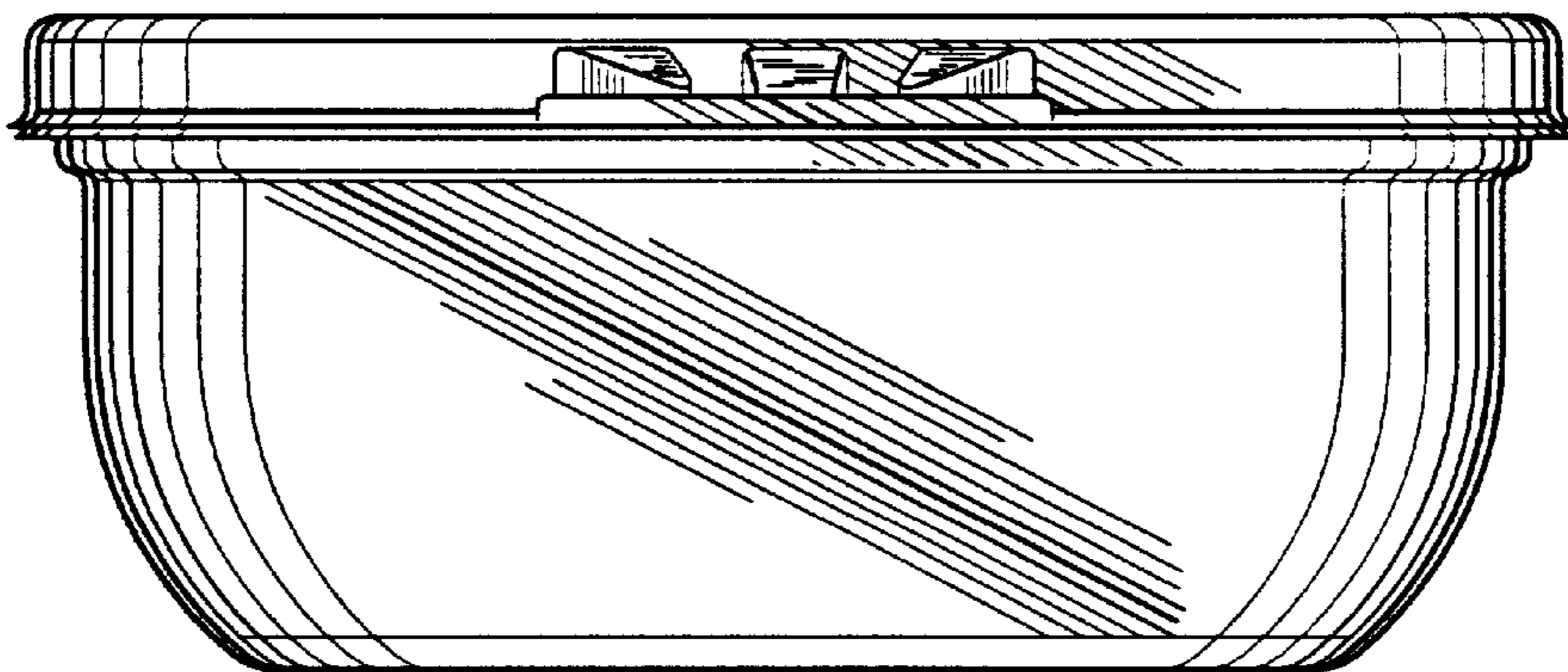


Fig-4

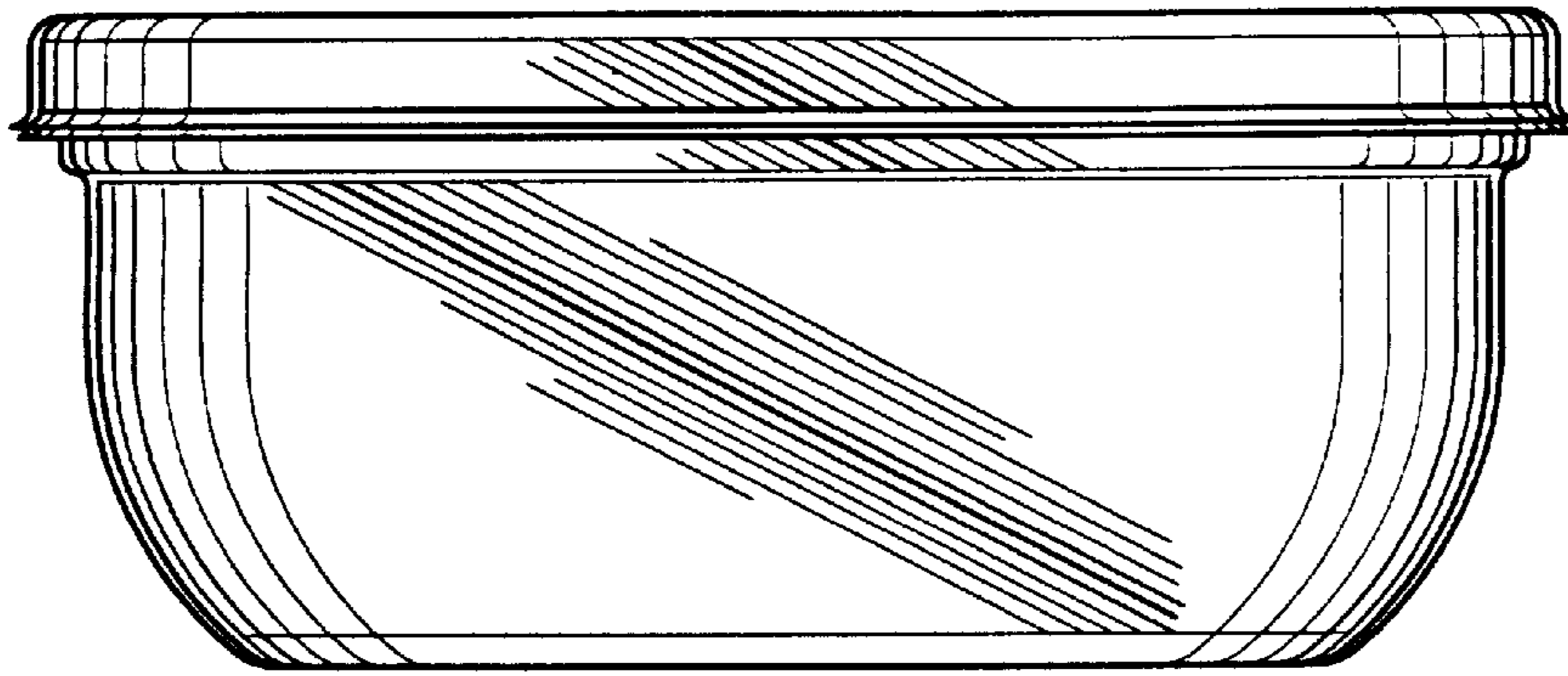


Fig-5

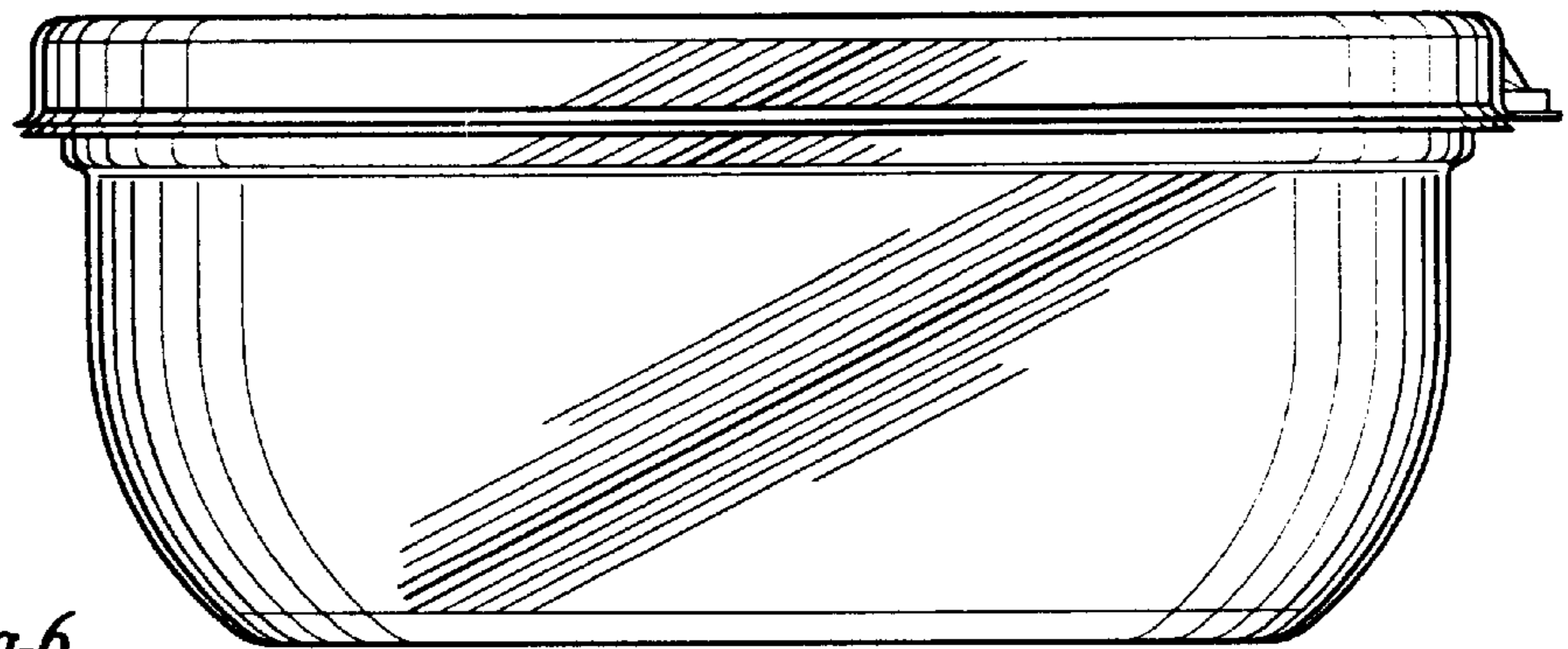


Fig-6

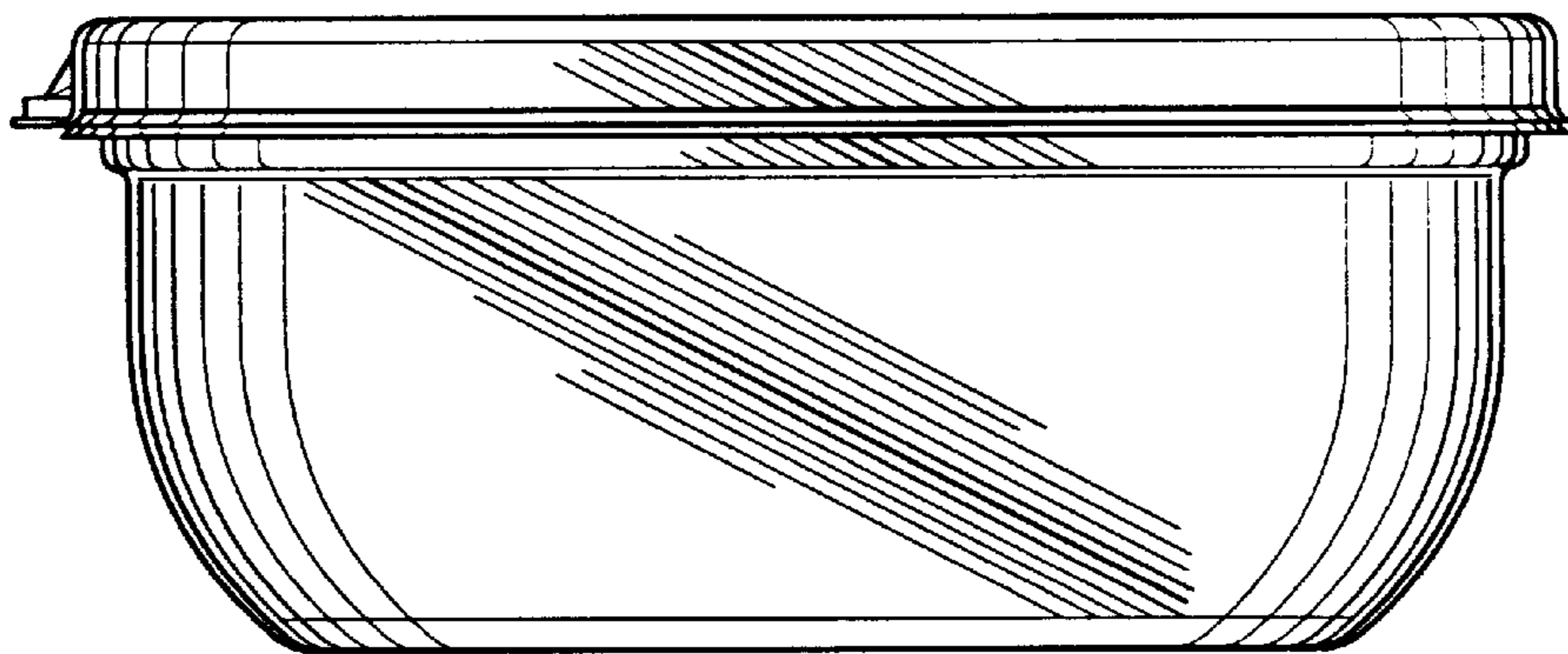


Fig-7

UNITED STATES PATENT AND TRADEMARK OFFICE
CERTIFICATE OF CORRECTION

PATENT NO. : D 411,714

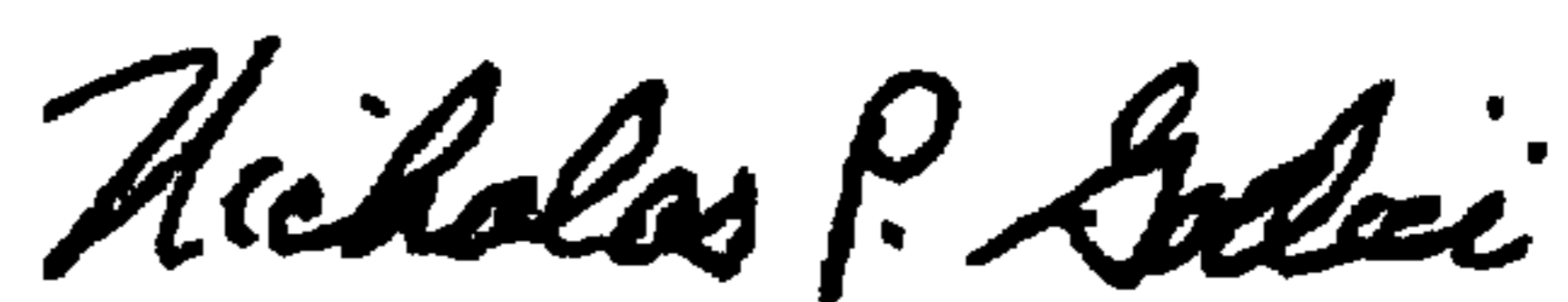
DATED : June 29, 1999

INVENTOR(S) : Daniel C. Wilson, et al.

It is certified that error appears in the above-identified patent and that said Letters Patent is hereby corrected as shown below:

On the title page, delete "Jeffey" J. Zettle and change to --Jeffrey--J. Zettle

Signed and Sealed this
Twenty-seventh Day of March, 2001



Attest:

NICHOLAS P. GODICI

Attesting Officer

Acting Director of the United States Patent and Trademark Office