



US00D411710S

United States Patent [19]

Watters et al.

[11] Patent Number: **Des. 411,710**

[45] Date of Patent: **** Jun. 29, 1999**

[54] TAP HANDLE

[75] Inventors: **Scott T. Watters**, Monument Beach;
Jonathan P. Braga, Brookline;
Roberta A. Merkel, Cambridge; **Lewis R. Goldstein**, Quincy, all of Mass.

[73] Assignee: **The Boston Beer Company**, Boston, Mass.

[**] Term: **14 Years**

[21] Appl. No.: **29/083,082**

[22] Filed: **Feb. 4, 1998**

[51] LOC (6) Cl. **07-99**

[52] U.S. Cl. **D7/398; D7/397**

[58] Field of Search D7/398, 397, 393,
D7/395, 301, 302, 306, 307; 222/465.1,
129.1, 145.7; 16/DIG. 12

[56] **References Cited**

U.S. PATENT DOCUMENTS

D. 276,687 12/1984 Marin D7/301

D. 280,880 10/1985 Schwers D7/398
D. 354,656 1/1995 Strawbridge D7/398
D. 396,994 8/1998 Carrino D7/393
1,965,833 7/1934 Geddes 222/145.7

Primary Examiner—M. N. Pandozzi
Attorney, Agent, or Firm—Darby & Darby

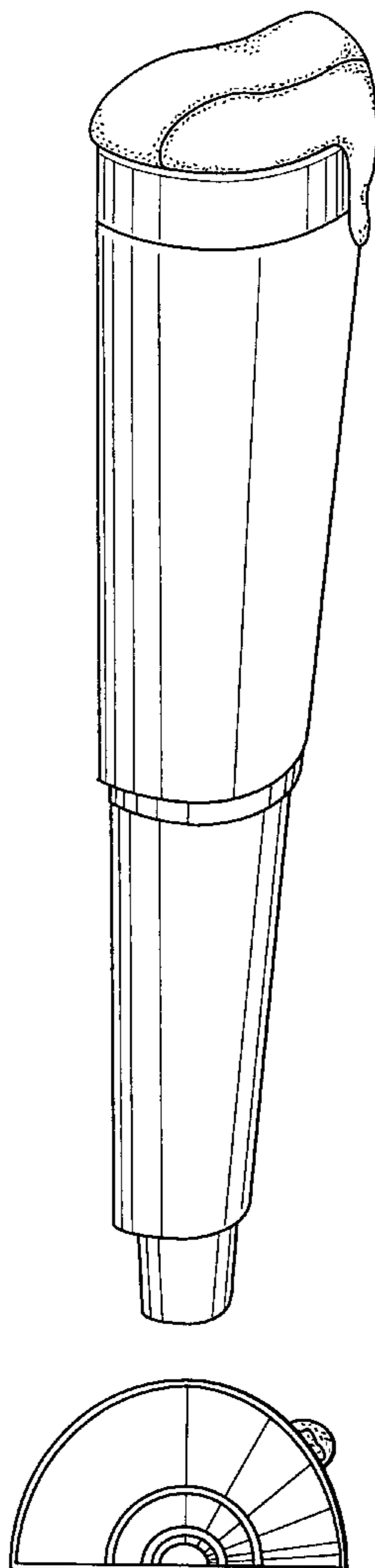
[57] **CLAIM**

We claim the ornamental design for a tap handle, as shown and described.

DESCRIPTION

FIG. 1 is a perspective view of a first embodiment the tap handle of the present invention;
FIG. 2 is a rear elevational view of the tap handle of FIG. 1;
FIG. 3 is a front elevational view of the tap handle of FIG. 1;
FIG. 4 is a right side elevational view of the tap handle of FIG. 1;
FIG. 5 is a left elevational view of the tap handle of FIG. 1;
FIG. 6 is a top plan view of the tap handle of FIG. 1; and,
FIG. 7 is a bottom plan view of the tap handle of FIG. 1.

1 Claim, 4 Drawing Sheets



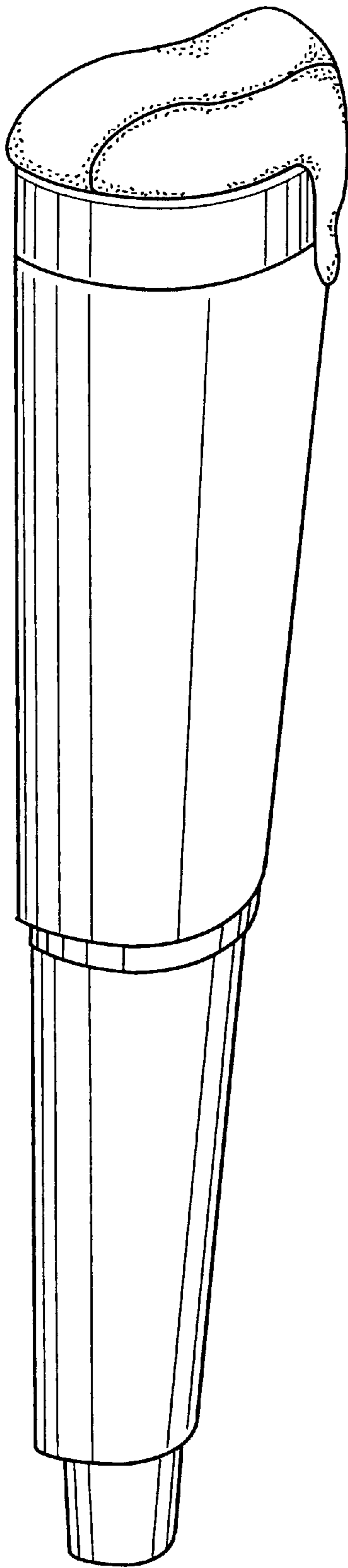


FIG. 1

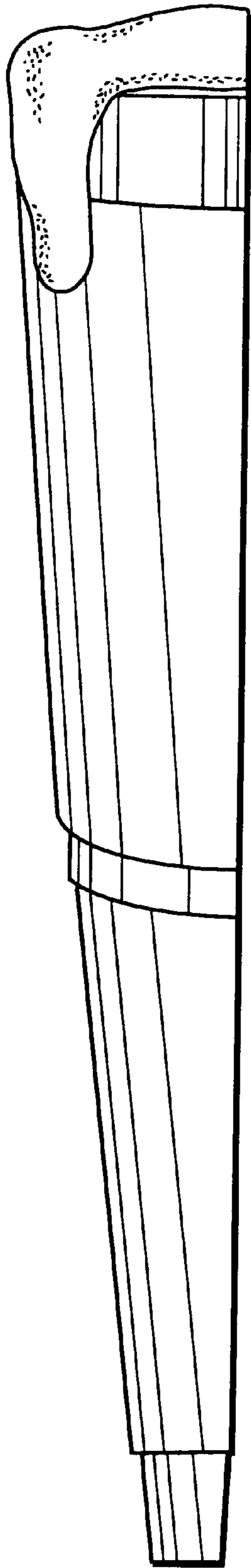


FIG. 2

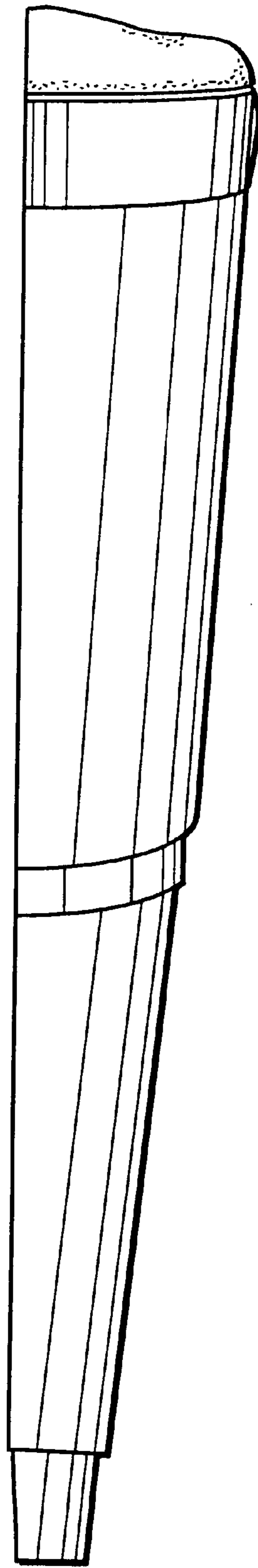


FIG. 3

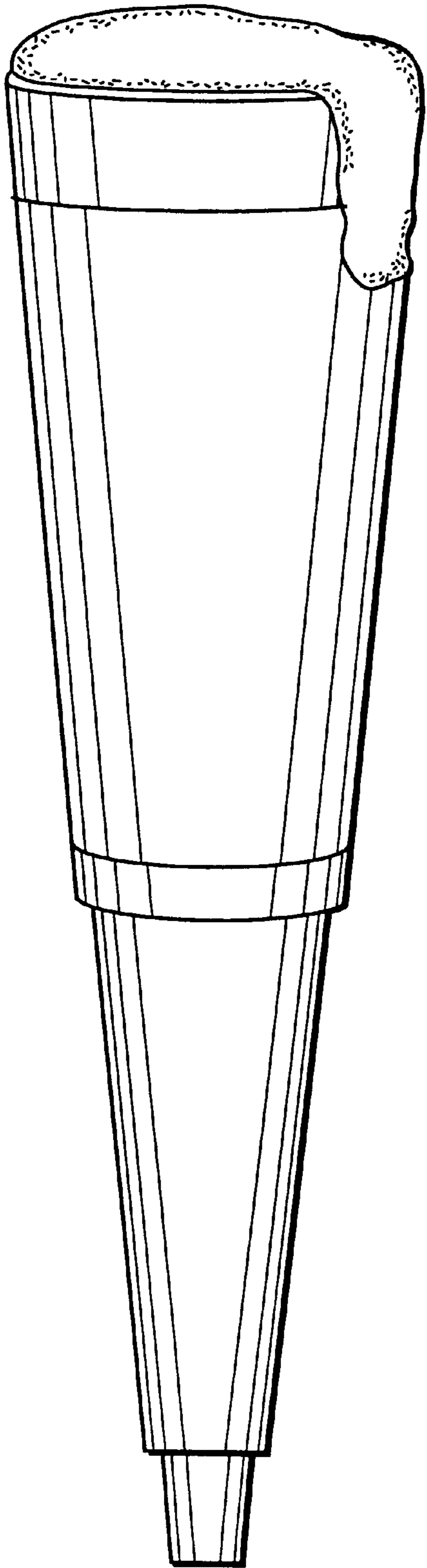


FIG. 4

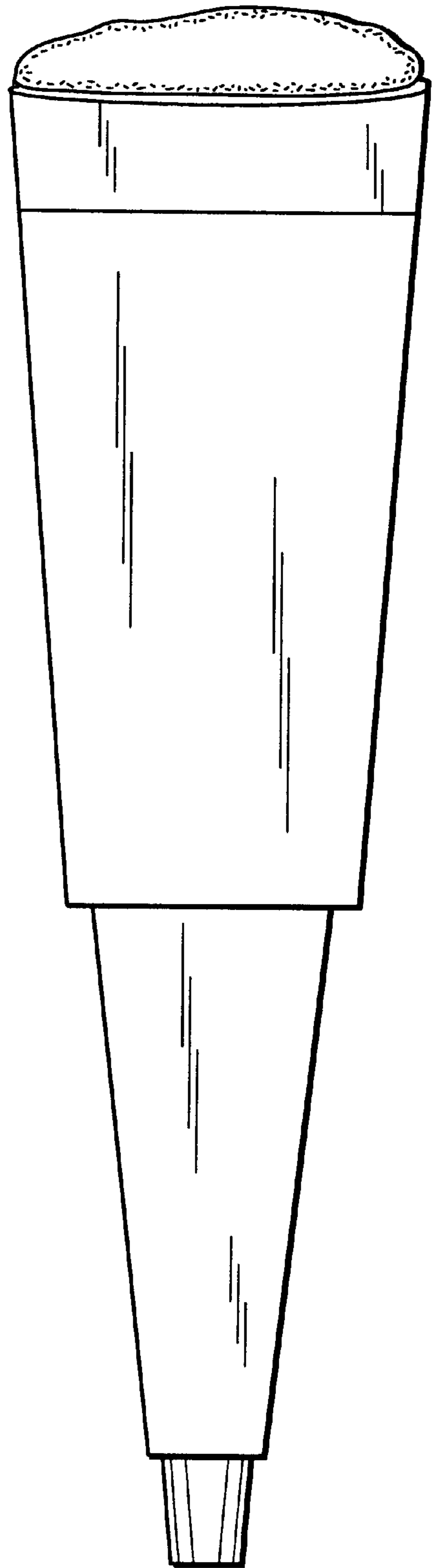


FIG. 5

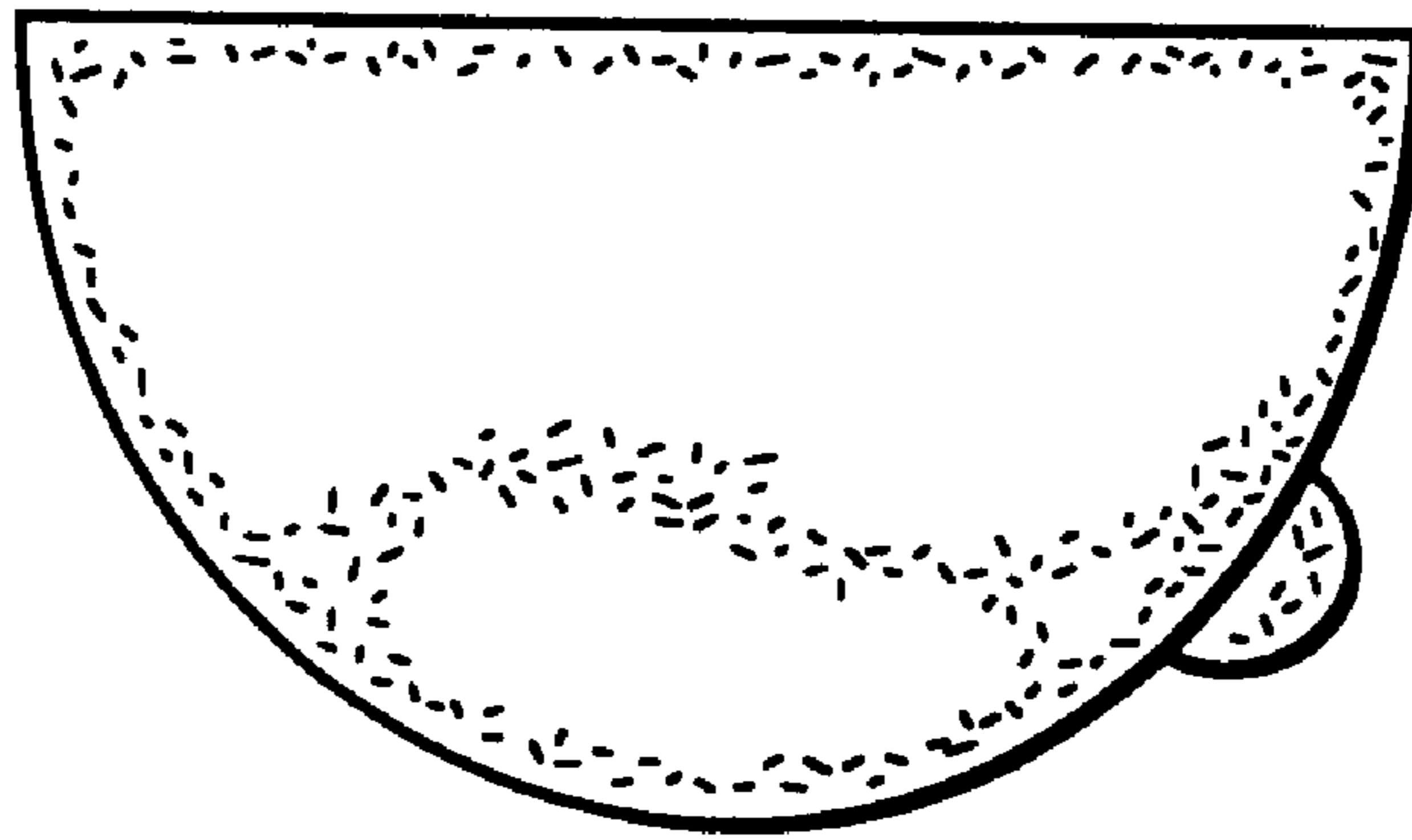


FIG. 6

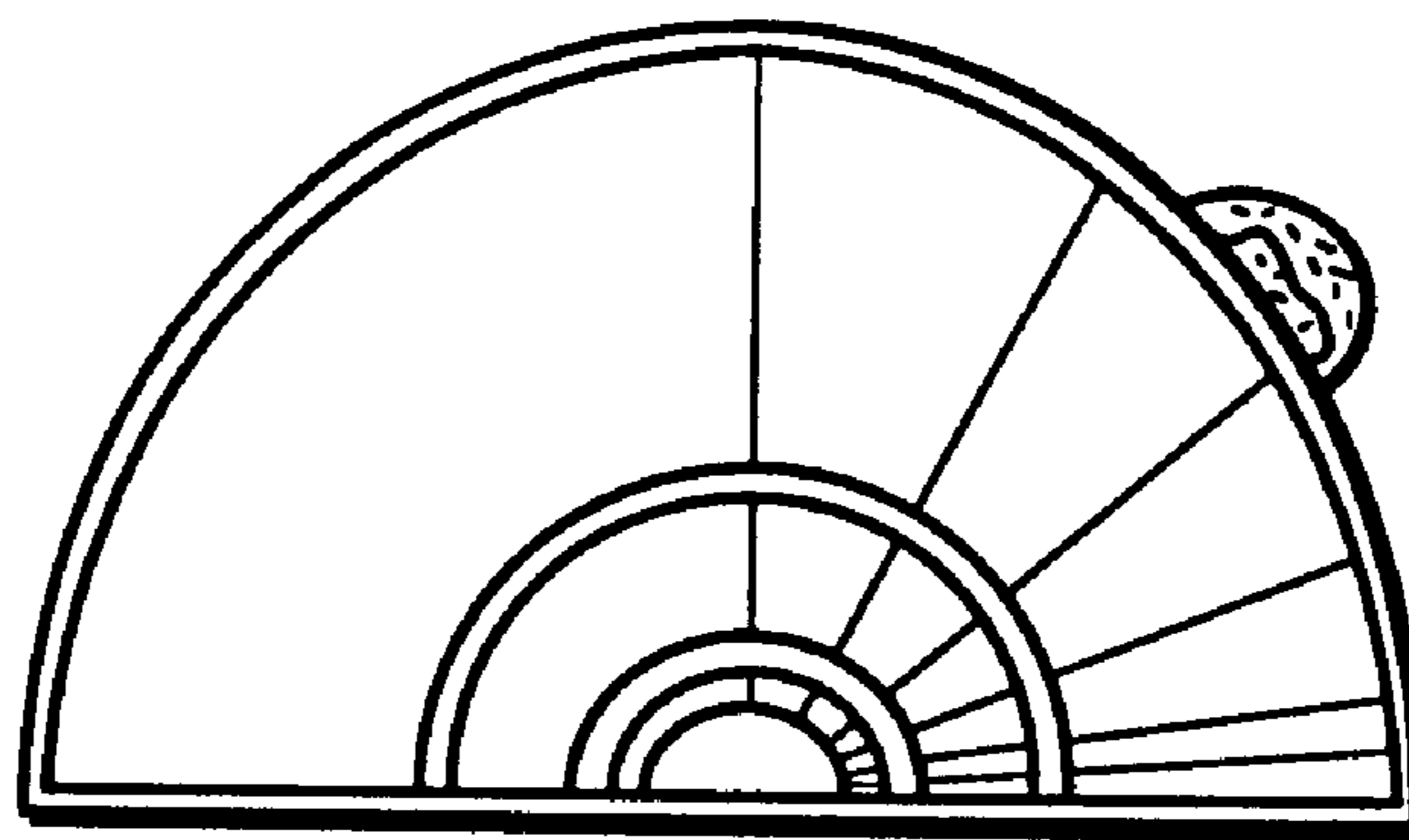


FIG. 7