



US00D411709S

United States Patent [19]

Curtis et al.

[11] Patent Number: Des. 411,709

[45] Date of Patent: ** Jun. 29, 1999

[54] INSERT FOR A FOOD CONTAINER

3,054,679 9/1962 Bradford D9/456
4,764,391 8/1988 Wasserman et al. 220/578

[75] Inventors: Daniel S. Curtis, Naperville, Ill.;
Timothy S. Goins, Detroit, Mich.;
Scott J. Felder, McHenry, Ill.; Thomas
J. Hayes, Wauconda, Ill.; Stephen A.
Smith, Naperville, Ill.

OTHER PUBLICATIONS

IVEX Product Sheet, "Shrimp Server", IVEX Packaging Corporation, Lincolnshire, Illinois, one page.
IVEX Product Sheet, "Reflections™", IVEX Packaging Corporation, Lincolnshire, Illinois, one page, 1994.
Tray-Pak Brochure, "Tray-Pak Custom Thermoformed Packaging", Tray-Pak Corporation, Reading, Pennsylvania, front page.
Ultra Pac Catalog, "Catalog -Effective Mar., 1995 Ultrafresh™", Ultra Pac, Inc., Rogers, Minnesota, pp. 1-32, Mar. 1995.

[73] Assignee: Tenneco Packaging, Evanston, Ill.

[**] Term: 14 Years

Primary Examiner—M. N. Pandozzi
Attorney, Agent, or Firm—Arnold White & Durkee

[21] Appl. No.: 29/059,030

[22] Filed: Aug. 30, 1996

[51] LOC (6) Cl. 07-99

[52] U.S. Cl. D7/396.1; D7/387; D7/553.4

[58] Field of Search D7/396.1, 387,
D7/388, 391, 392.1, 553.4, 601, 610, 629;
D9/432, 424, 428, 456; 220/525, 578, 630,
675; 206/8, 9; 229/938

[57] CLAIM

The ornamental design of an insert for a food container, as shown and described.

[56] References Cited

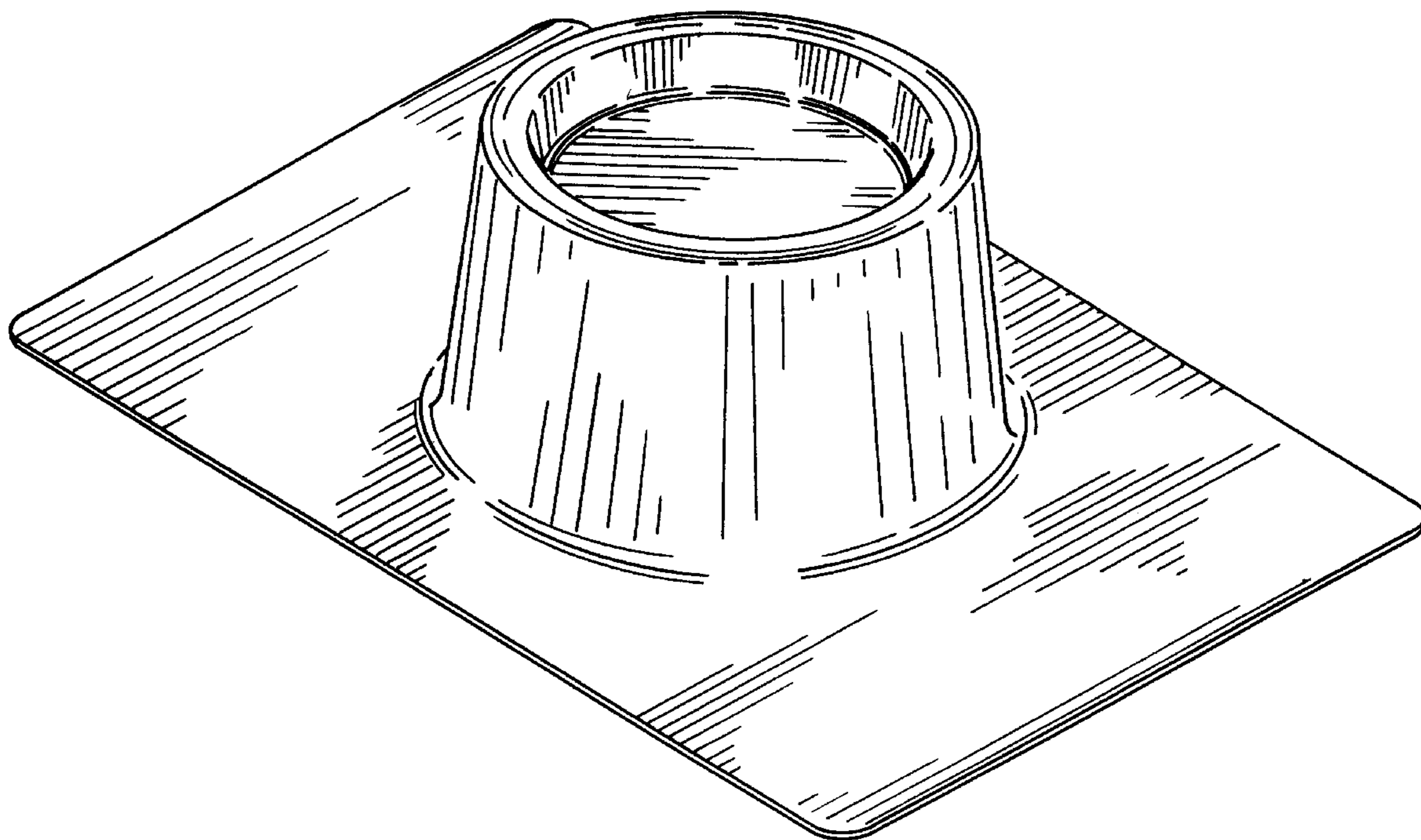
DESCRIPTION

U.S. PATENT DOCUMENTS

- D. 103,307 2/1937 Corey D7/601
- D. 261,588 11/1981 Fitch D7/553.4
- D. 364,090 11/1995 Krupa .
- D. 366,395 1/1996 Wyatt et al. D7/553.4
- D. 394,985 6/1998 Curtis et al. D7/629 X
- 2,343,128 2/1944 Anderson 206/9
- 2,496,619 2/1950 Cunningham, Jr. 206/8

FIG. 1 is an isometric view of an insert for a food container showing our new design;
FIG. 2 is a top plan view thereof;
FIG. 3 is a front elevational view, the rear elevational being a mirror image thereof; and,
FIG. 4 is a right side elevational view thereof, the left side elevational view being a mirror image thereof.

1 Claim, 3 Drawing Sheets



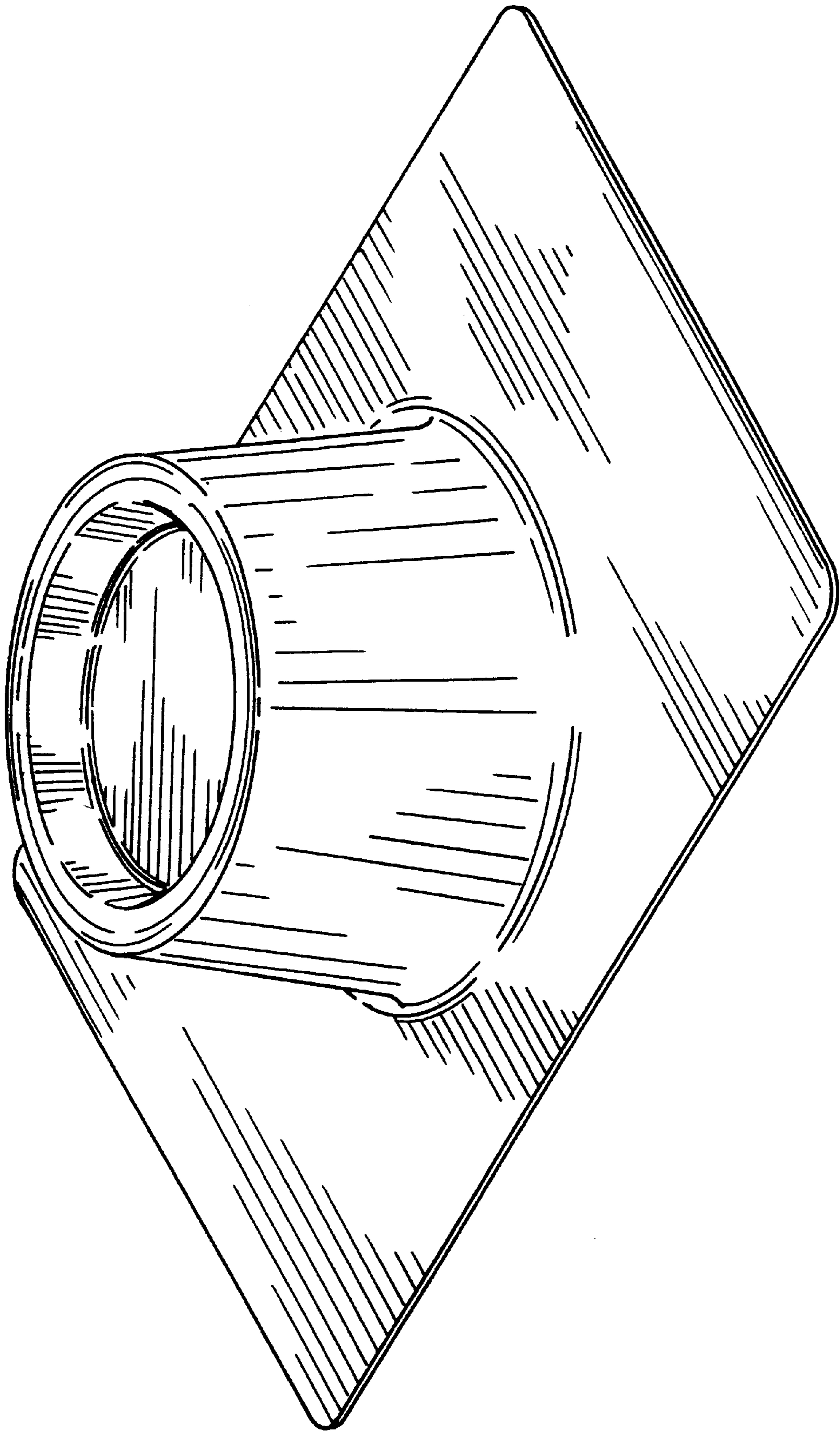


FIG. 1

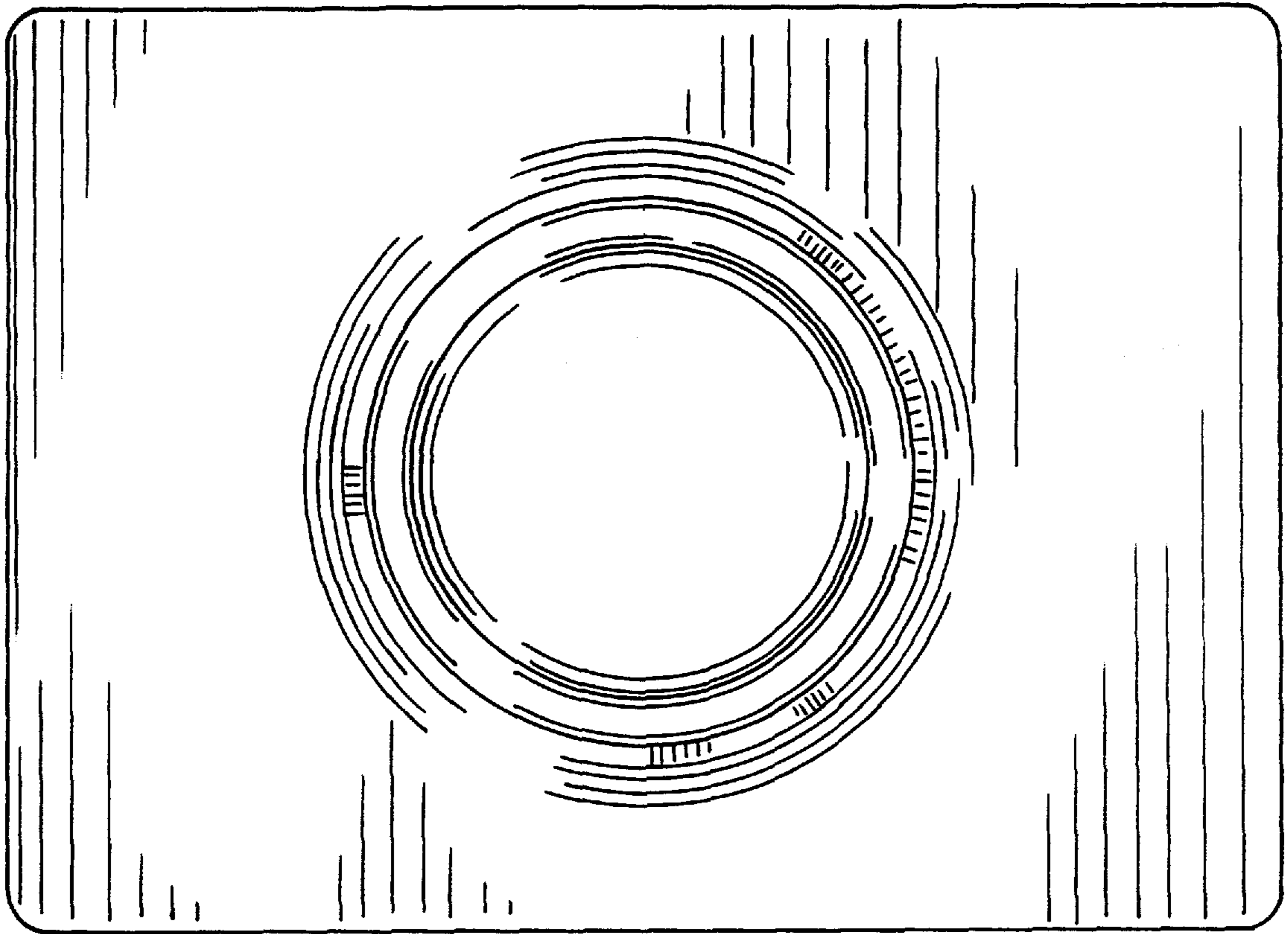


FIG. 2

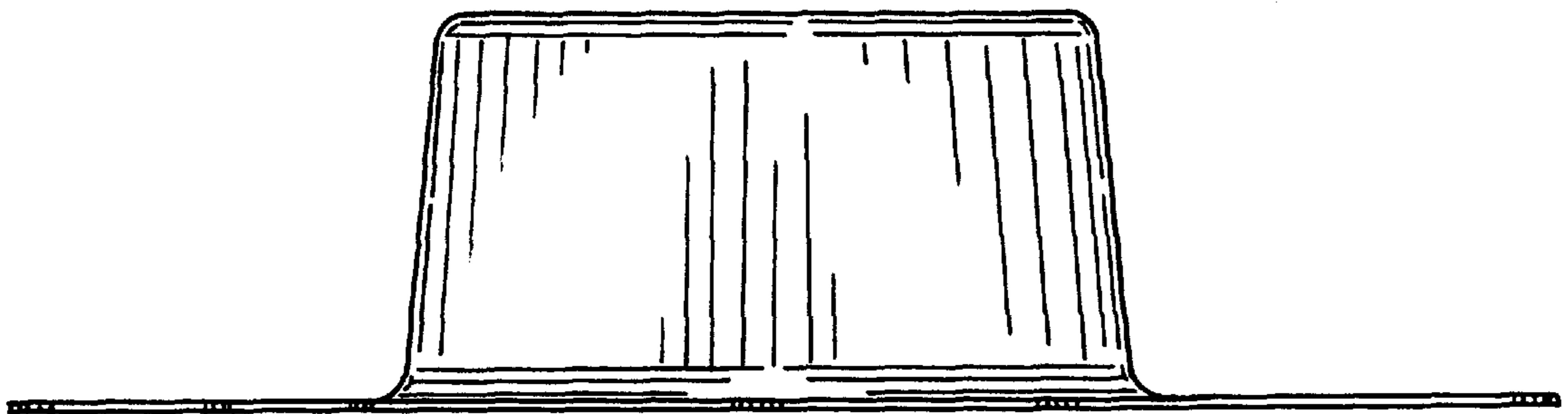


FIG. 3

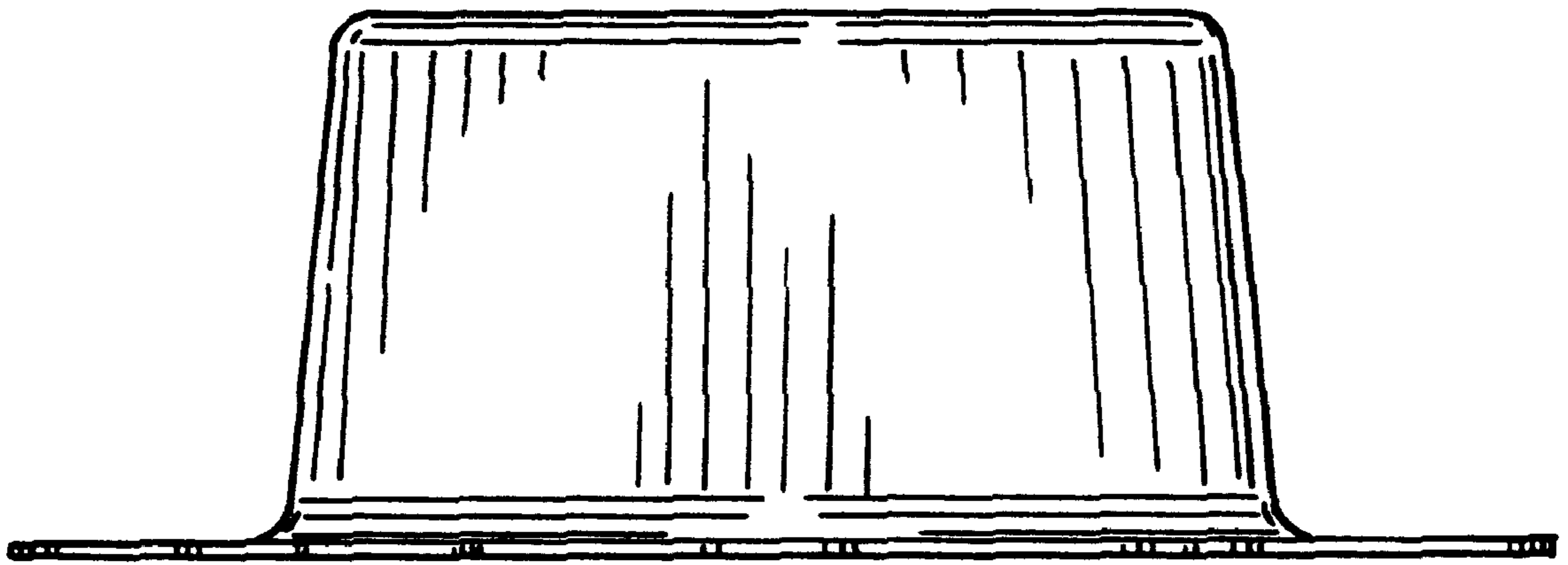


FIG. 4