



US00D411707S

# United States Patent [19] Horvat

[11] **Patent Number: Des. 411,707**  
[45] **Date of Patent: \*\* Jun. 29, 1999**

[54] **KNOB FOR POT LID**

[75] Inventor: **Davorin Horvat**, Monza, Italy

[73] Assignee: **Aracaria B.V.**, Amsterdam, Netherlands

[\*\*] Term: **14 Years**

[21] Appl. No.: **29/088,399**

[22] Filed: **May 22, 1998**

[30] **Foreign Application Priority Data**

Dec. 4, 1997 [XH] Hague Agreement ..... DMA/003939

[51] **LOC (6) Cl.** ..... **07-02**

[52] **U.S. Cl.** ..... **D7/393**

[58] **Field of Search** ..... D7/354-361, 393,  
D7/396; D8/310; 16/118, 121, DIG. 30;  
220/752, 753, 755, 912

[56] **References Cited**

**U.S. PATENT DOCUMENTS**

D. 212,379 10/1968 Dudas ..... D7/393

D. 261,349 10/1981 Ryser ..... D7/393  
D. 284,444 7/1986 Baumgarten ..... D7/393  
D. 365,497 12/1995 Gebhardt ..... D7/393  
D. 365,964 1/1996 Gebhardt ..... D7/393

*Primary Examiner*—Caron D. Veynar  
*Attorney, Agent, or Firm*—Notaro & Michalos P.C.

[57] **CLAIM**

The ornamental design for a knob for pot lid, as shown and described.

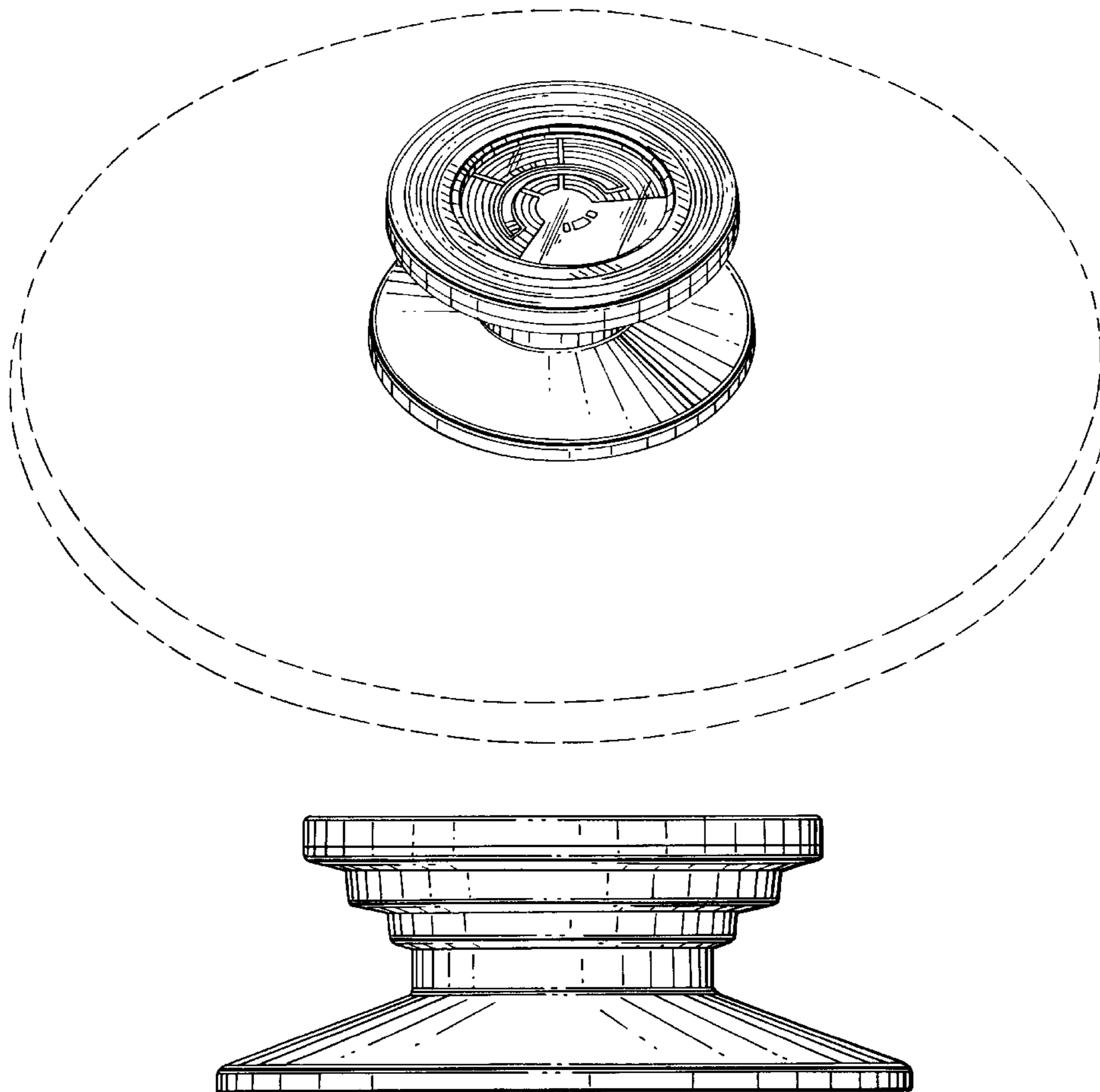
**DESCRIPTION**

FIG. 1 is a perspective view of a knob for pot lid showing my new design, the broken line showing of a pot cover is for illustrative purposes only and forms no part of the claimed design;

FIG. 2 is a top plan view thereof; and,

FIG. 3 is a side elevational view thereof, all other side views being identical.

**1 Claim, 2 Drawing Sheets**



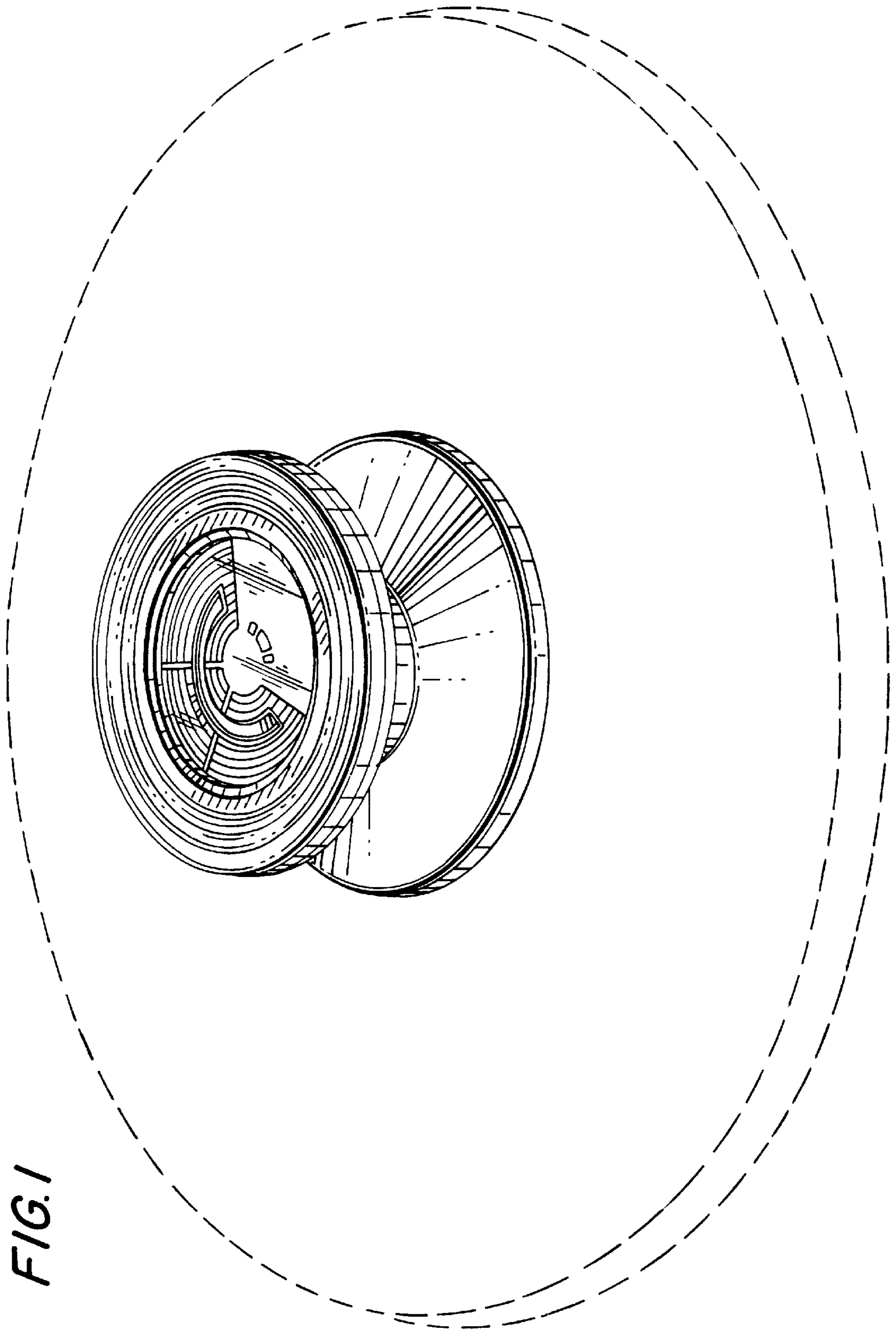
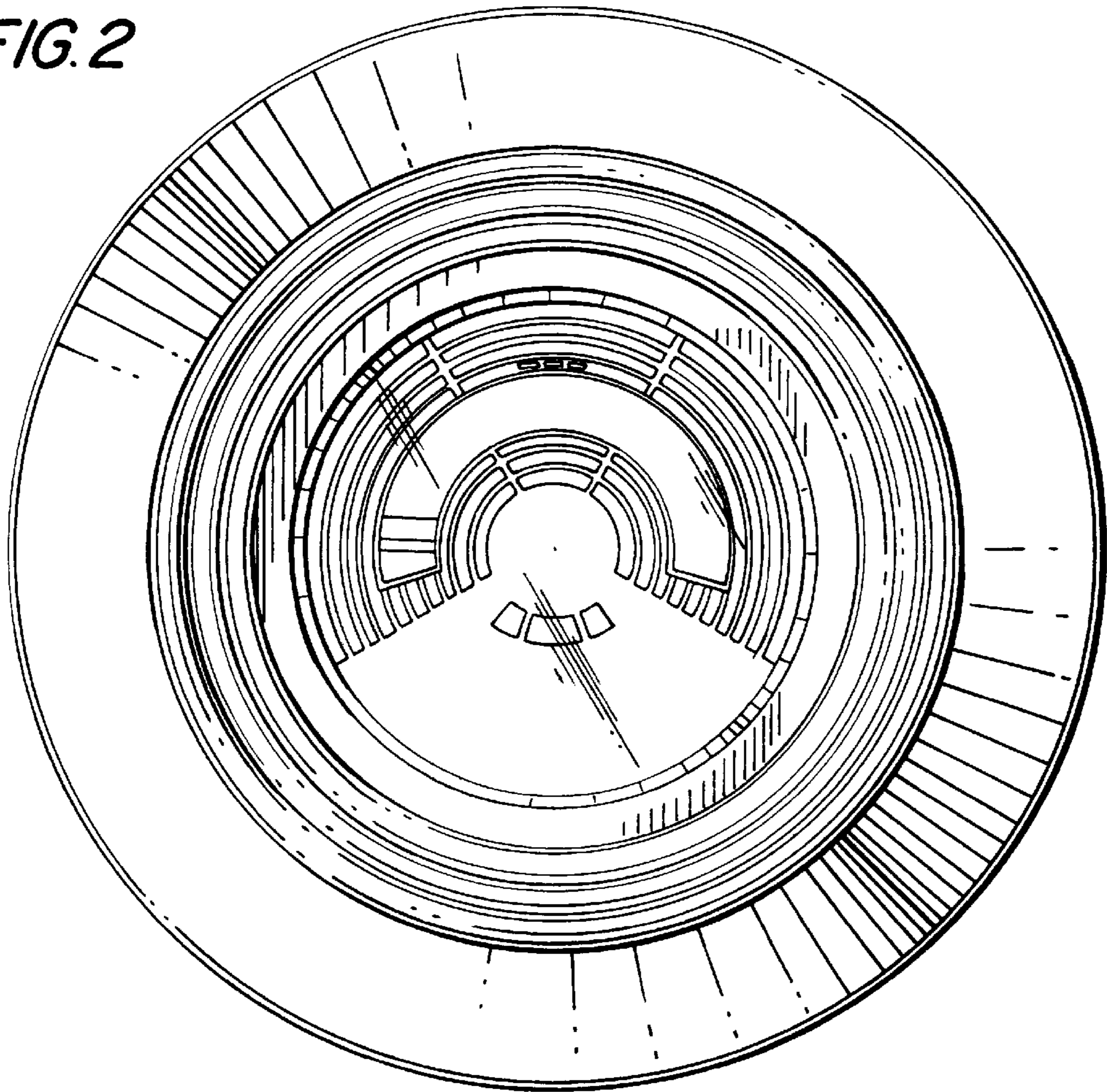


FIG. 1

*FIG. 2*



*FIG. 3*

