



US00D411701S

United States Patent [19]

Klein et al.

[11] Patent Number: Des. 411,701

[45] Date of Patent: ** Jun. 29, 1999

[54] MODULAR OVER THE DOOR SLIDING HOOK

[75] Inventors: Richard B. Klein, Overland Park; Chris Serslev, Leawood; Farid Nedjam, Lawrence, all of Kans.

[73] Assignee: Lynk, Inc., Lenexa, Kans.

[**] Term: 14 Years

[21] Appl. No.: 29/075,437

[22] Filed: Aug. 20, 1997

[51] LOC (6) Cl. 08-08

[52] U.S. Cl. D6/513; D6/323; D6/569; D8/372

[58] Field of Search D6/320, 323, 569, D6/513; 211/13, 86.01, 106.01, 113, 94.01, 94.02

- 2,090,108 8/1937 Cicero .
- 2,137,029 11/1938 Scholl .
- 2,152,192 3/1939 Hoffman .
- 2,238,884 4/1941 Hoffman .
- 2,276,141 3/1942 Atkinson .
- 2,299,021 10/1942 Hoffman .
- 2,504,910 4/1950 Wellington .
- 2,506,844 5/1950 Smith .
- 2,620,929 12/1952 Sportsman .
- 2,682,955 7/1954 Moore .
- 3,171,542 3/1965 Jacobs, et al. .
- 3,391,793 7/1968 Streuli .
- 3,468,426 9/1969 Loewy .
- 3,637,084 1/1972 Uitz .
- 3,695,190 10/1972 Bucholz .
- 3,888,353 6/1975 Leifheit .
- 3,913,745 10/1975 Weiss .
- 3,974,917 8/1976 Waxamanski .
- 3,999,734 12/1976 Gibson et al. .
- 4,094,030 6/1978 Saad .

(List continued on next page.)

[56] References Cited

U.S. PATENT DOCUMENTS

- D. 85,502 11/1931 Wilhelm .
- D. 287,550 1/1987 Tocci .
- D. 295,344 4/1988 Pryor et al. D6/323
- D. 308,608 6/1990 Arnold .
- D. 324,783 3/1992 Greenhut et al. D6/323
- D. 324,787 3/1992 Evans .
- D. 341,500 11/1993 Klein et al. .
- D. 354,412 1/1995 Emery .
- D. 377,728 2/1997 Klein et al. .
- D. 382,434 8/1997 Klein et al. .
- D. 397,565 9/1998 Klein et al. D6/513
- 632,409 9/1899 Hallowell .
- 790,669 5/1905 Winship .
- 873,496 12/1907 Bryant .
- 953,130 3/1910 Fellows .
- 1,377,444 5/1921 Shoemaker .
- 1,674,359 6/1928 Frey .
- 1,733,487 10/1929 Hackley .
- 1,769,344 7/1930 Hoffmire .
- 1,927,997 9/1933 Weston .
- 1,995,246 3/1935 Greims .
- 2,008,748 7/1935 Crow .
- 2,067,095 1/1937 Pease .

FOREIGN PATENT DOCUMENTS

- 530454 7/1954 Belgium .
- 1462095 12/1965 France .
- 182925 3/1936 Switzerland .
- 421425 9/1966 Switzerland .

Primary Examiner—B. J. Bullock
Attorney, Agent, or Firm—Shook, Hardy & Bacon L.L.P.

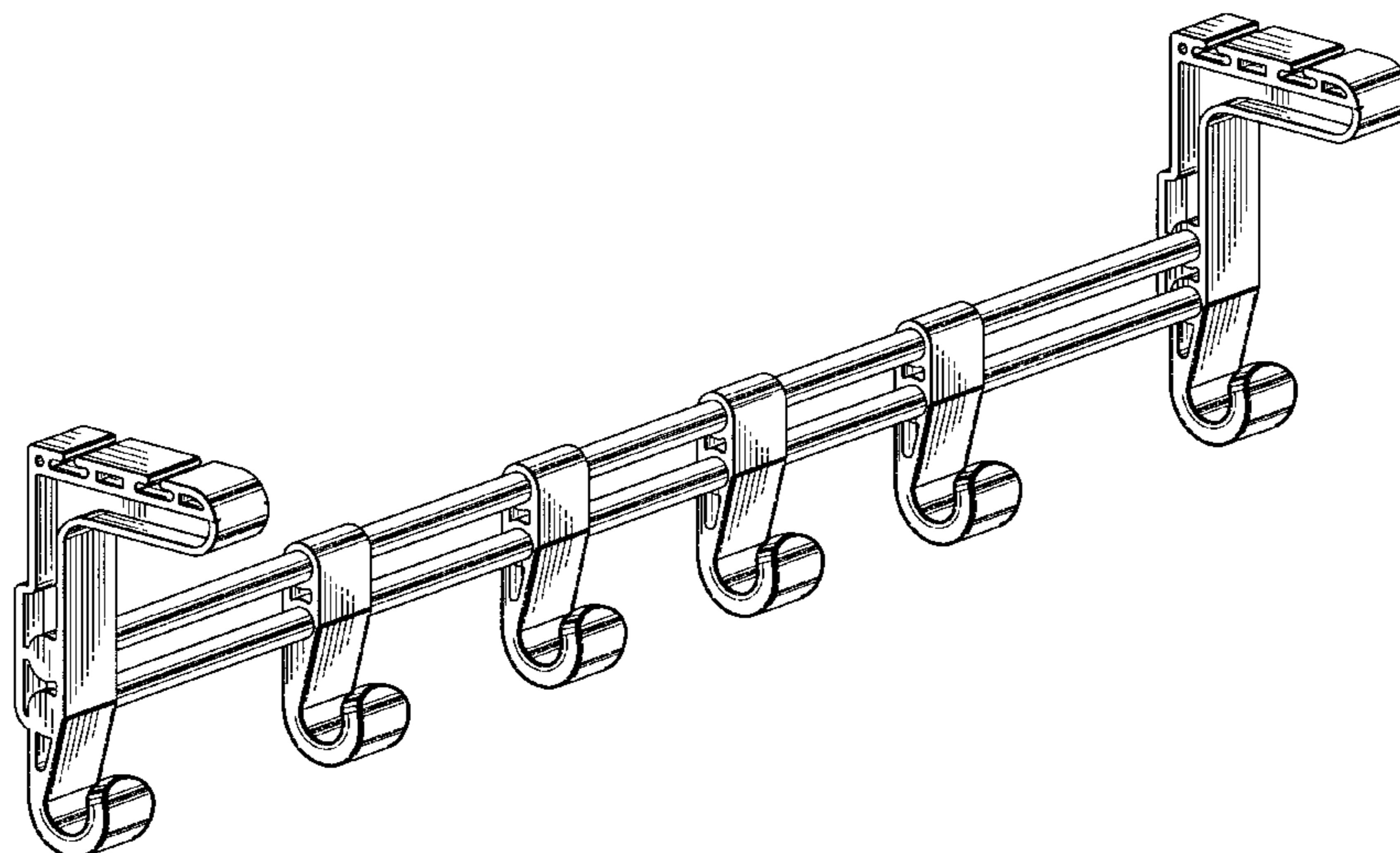
[57] CLAIM

The ornamental design for a modular over the door sliding hook, as shown and described.

DESCRIPTION

FIG. 1 is a perspective view of an over the door sliding hook according to the present invention; FIG. 2 is a front elevational view thereof; FIG. 3 is a right side view of FIG. 2, the left side being a mirror image; FIG. 4 is a top plan view thereof; FIG. 5 is a bottom plan view thereof; and, FIG. 6 is a rear elevational view thereof.

1 Claim, 2 Drawing Sheets



Des. 411,701

Page 2

U.S. PATENT DOCUMENTS

| | | | | | |
|-----------|---------|-----------------|-----------|---------|----------------------|
| 4,209,098 | 6/1980 | Adams . | 4,940,150 | 7/1990 | Spengler . |
| 4,245,746 | 1/1981 | Aylor . | 4,942,498 | 7/1990 | Toussaint . |
| 4,383,722 | 5/1983 | Weber . | 5,035,332 | 7/1991 | Stravitz . |
| 4,457,436 | 7/1984 | Kelley . | 5,048,698 | 9/1991 | Konrad . |
| 4,607,753 | 8/1986 | Radek . | 5,054,629 | 10/1991 | Breen . |
| 4,657,148 | 4/1987 | Heng . | 5,082,125 | 1/1992 | Ninni . |
| 4,673,092 | 6/1987 | Lamson et al. . | 5,097,968 | 3/1992 | Gregory . |
| 4,678,151 | 7/1987 | Radek . | 5,101,986 | 4/1992 | Holztrager . |
| 4,688,681 | 8/1987 | Bergeron . | 5,101,989 | 4/1992 | Jones . |
| 4,688,687 | 8/1987 | Pryor . | 5,152,407 | 10/1992 | Massoudnia et al. . |
| 4,711,419 | 12/1987 | Polosky . | 5,172,816 | 12/1992 | Kline et al. . |
| 4,819,814 | 4/1989 | Fogelgren . | 5,415,297 | 5/1995 | Klein et al. . |
| 4,825,601 | 5/1989 | Halverson . | 5,617,959 | 4/1997 | Klein et al. . |
| 4,899,971 | 2/1990 | Elkin . | 5,836,486 | 11/1998 | Ohsugi 211/113 |

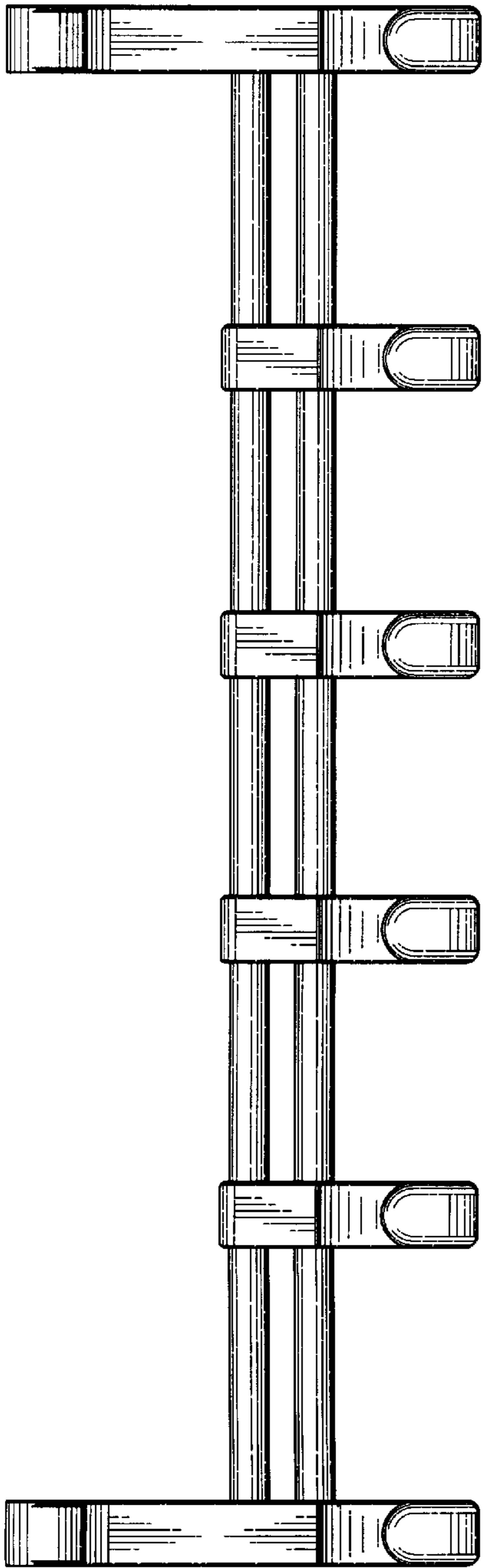


Fig. 2.

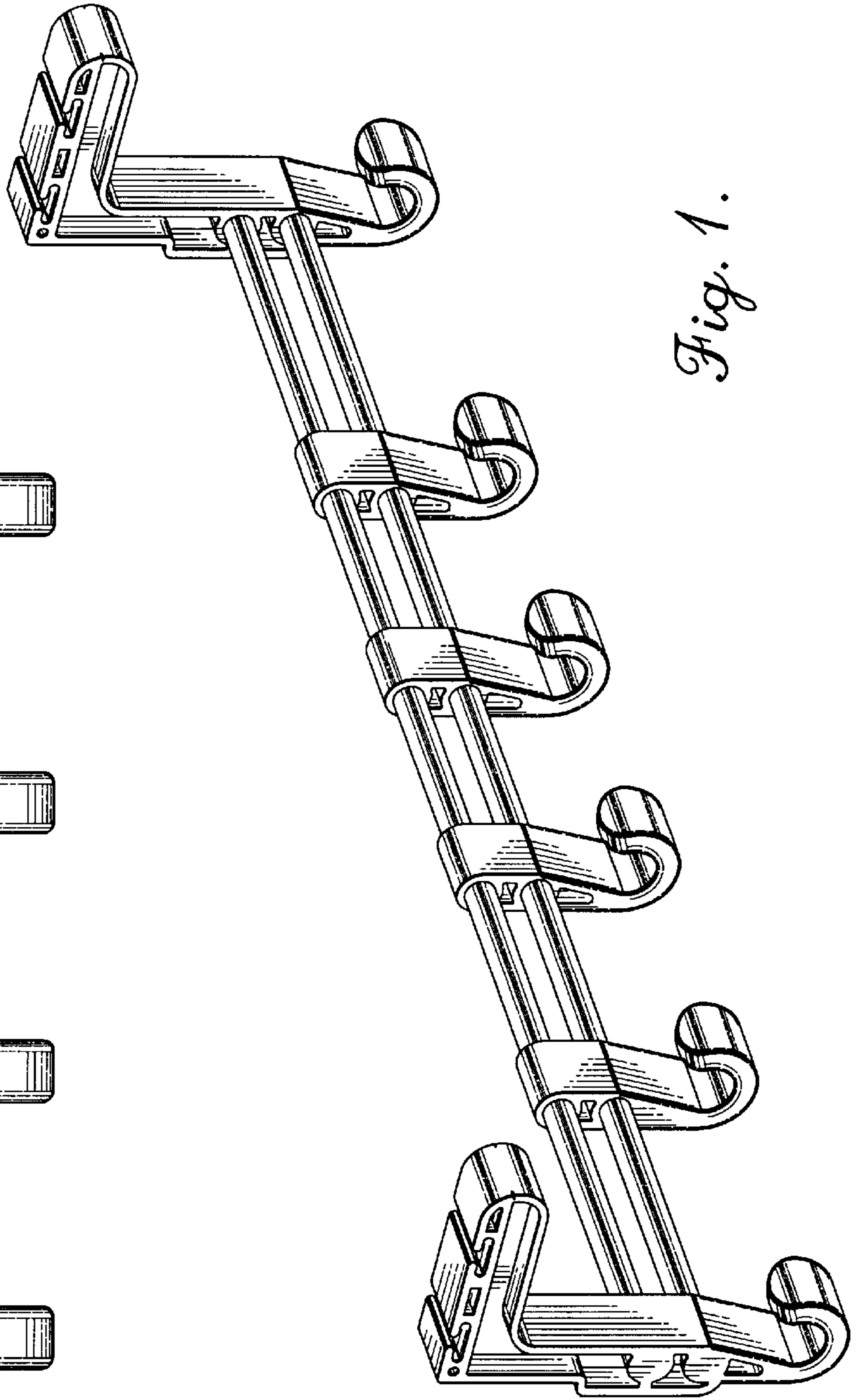


Fig. 1.

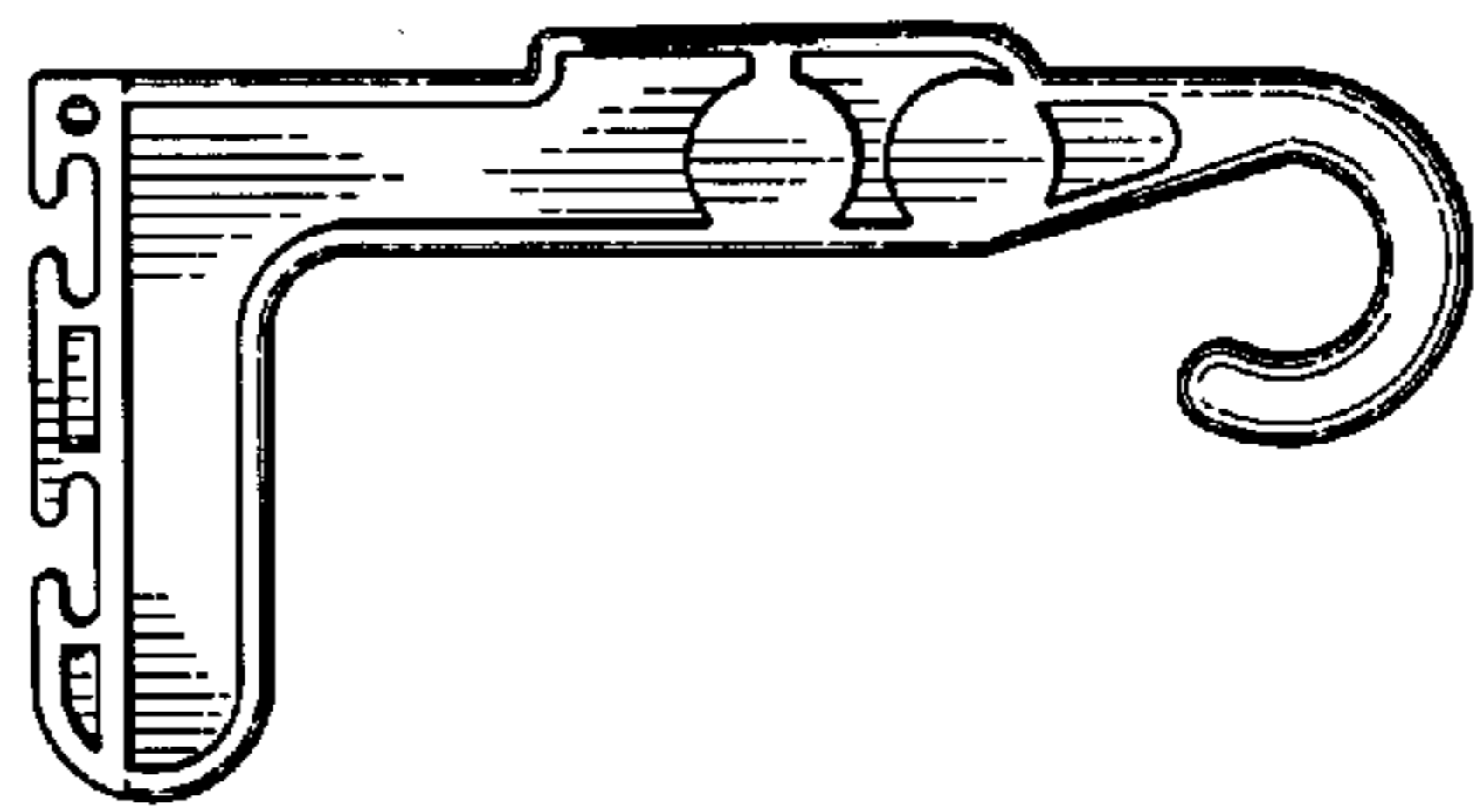


Fig. 3.

Fig. 4.

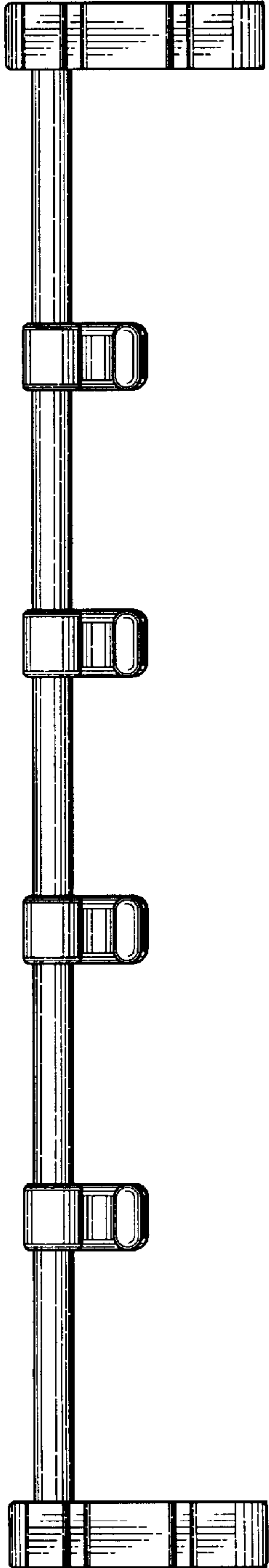


Fig. 5.

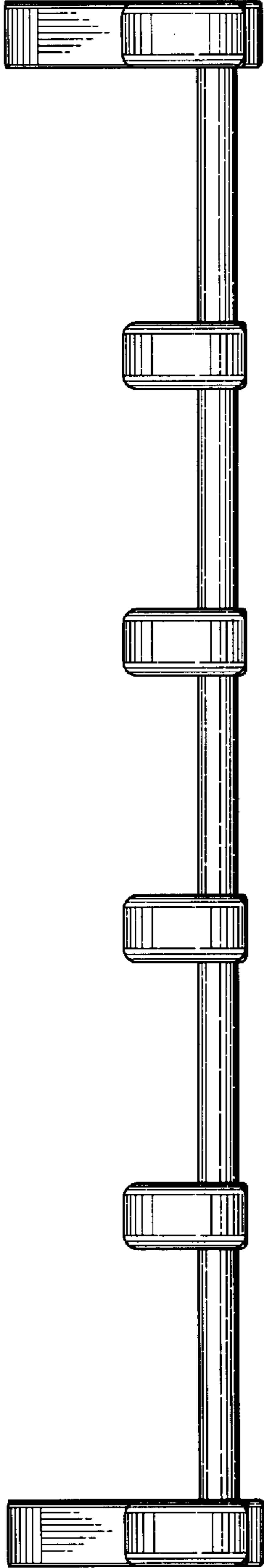


Fig. 6.

