



US00D411700S

# United States Patent [19] Zaidman

[11] **Patent Number: Des. 411,700**  
[45] **Date of Patent: \*\* Jun. 29, 1999**

[54] **HEADBOARD**

[75] Inventor: **S Paul Zaidman**, Winnipeg, Canada

[73] Assignee: **Palliser Furniture Ltd.**, Winnipeg, Canada

[\*\*] Term: **14 Years**

[21] Appl. No.: **29/082,909**

[22] Filed: **Jan. 30, 1998**

[51] **LOC (6) Cl.** ..... **06-01**

[52] **U.S. Cl.** ..... **D6/505**

[58] **Field of Search** ..... D6/382-384, 388-395,  
D6/505-508; 5/53.1, 279.1, 280, 281, 907,  
285

[56] **References Cited**

**U.S. PATENT DOCUMENTS**

D. 328,207 7/1992 White ..... D6/505  
D. 345,061 3/1994 Tyng ..... D6/393

D. 349,623 8/1994 Bargagli-Stoffi ..... D6/505

**OTHER PUBLICATIONS**

Furniture Today, Jan. 10, 1994, headboard at top right.

*Primary Examiner*—Janice E. Seeger  
*Attorney, Agent, or Firm*—Clifford W. Browning; Woodard, Emhardt, Naughton, Moriarty & McNett

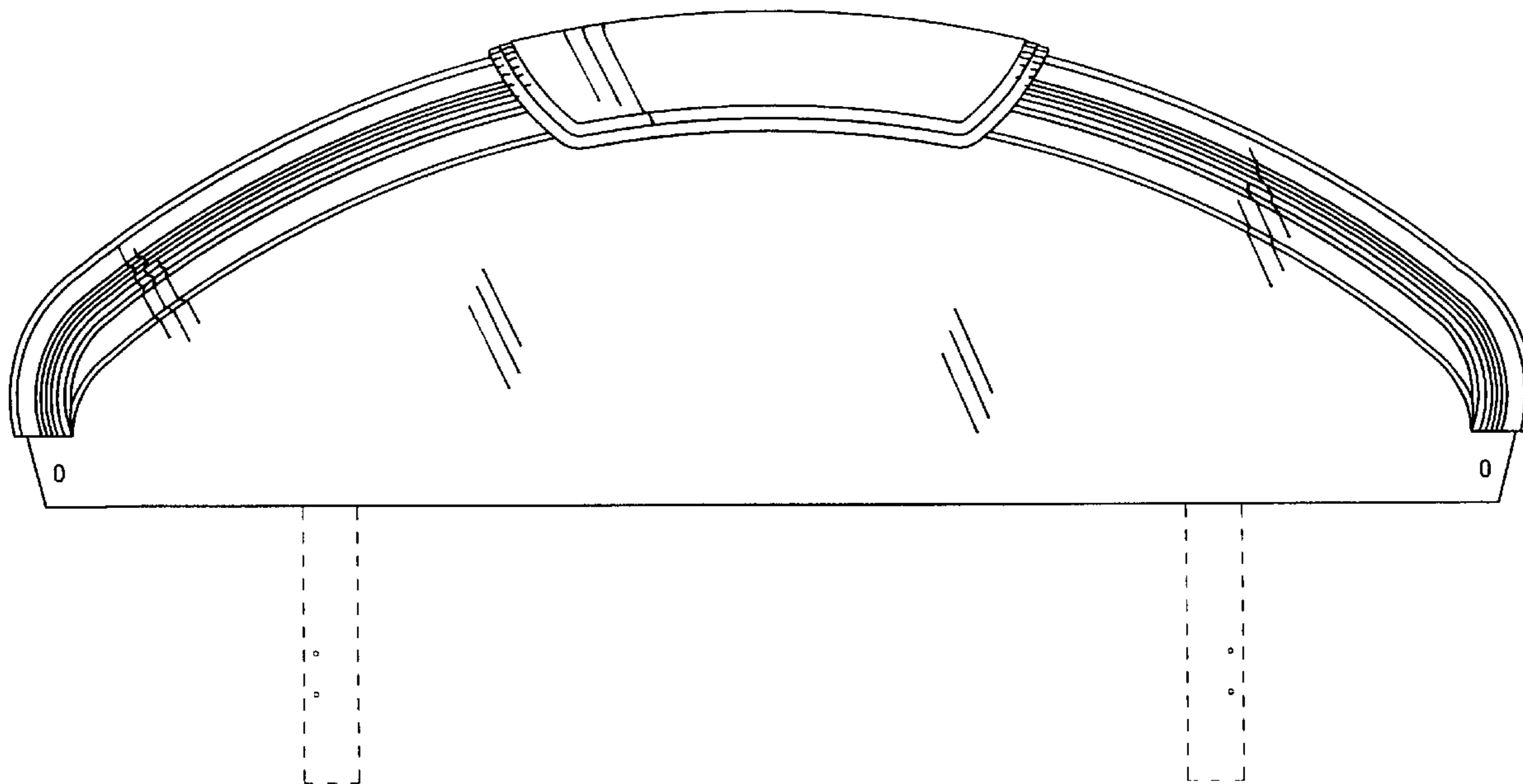
[57] **CLAIM**

The ornamental design for a headboard, as shown and described.

**DESCRIPTION**

FIG. 1 is a front elevational view of a headboard, showing my new design;  
FIG. 2 is a perspective view; and,  
FIG. 3 is a right-side elevational view, the left-side elevational view being a mirror image thereof.  
The features shown in dotted lines form no part of the design and are environment only.

**1 Claim, 3 Drawing Sheets**



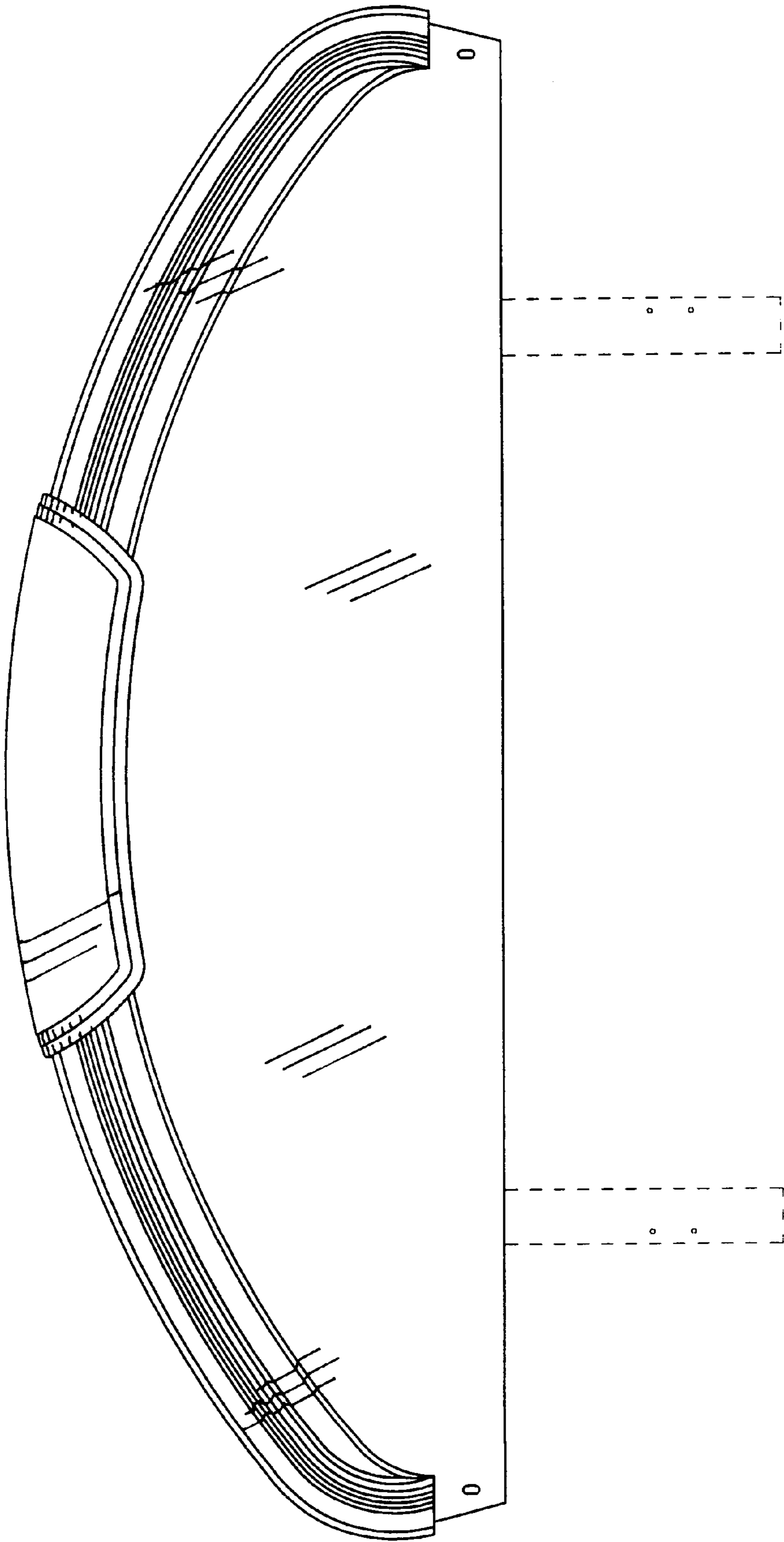


Fig. 1

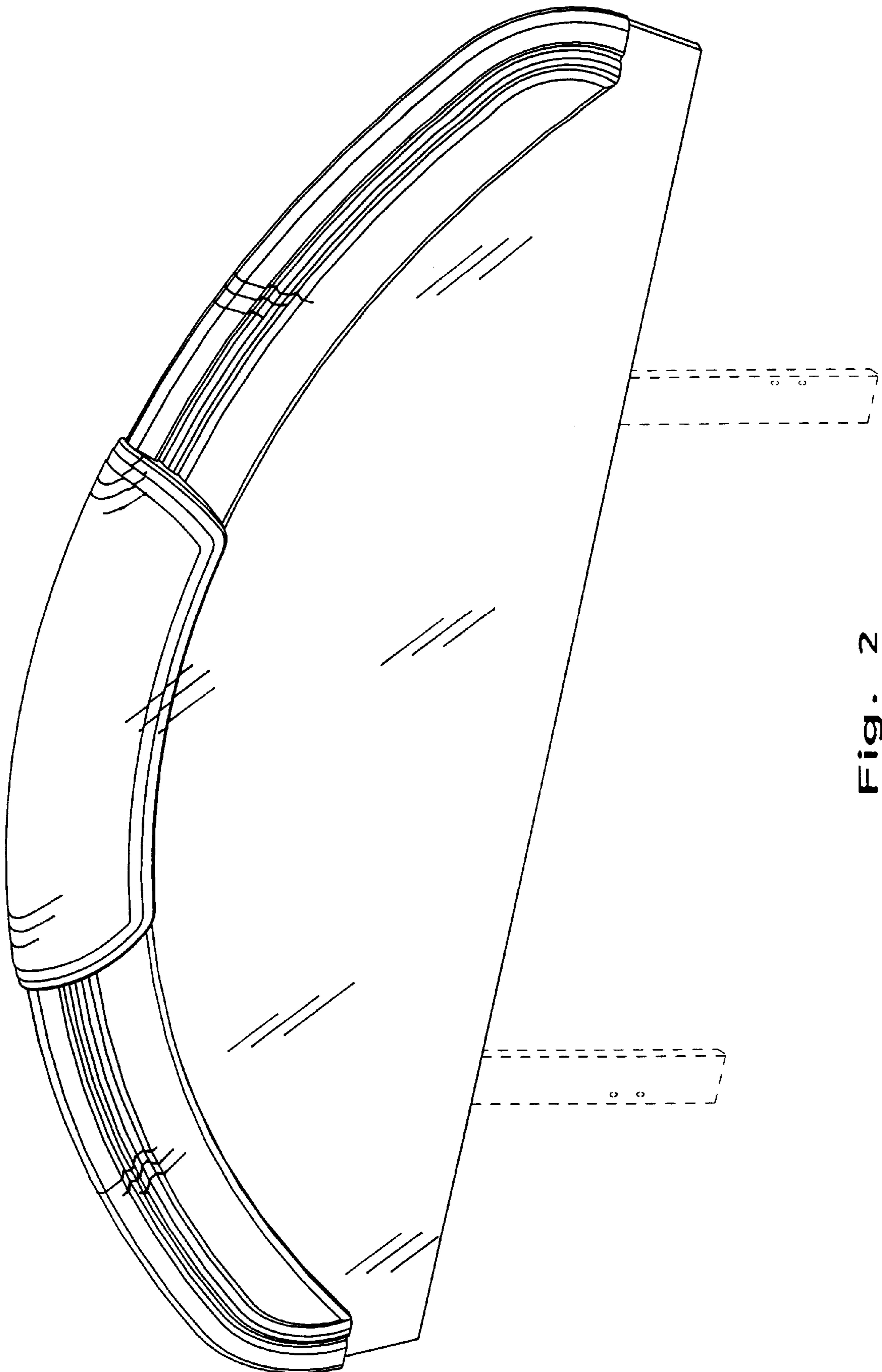


Fig. 2

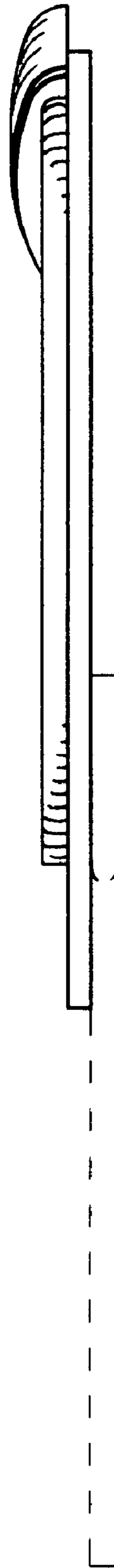


Fig. 3