



US00D411699S

# United States Patent [19]

Bond et al.

[11] **Patent Number: Des. 411,699**

[45] **Date of Patent: \*\* Jun. 29, 1999**

- [54] **BACK BRACKET FOR A CHAIR**
- [75] Inventors: **Hal I. Bond**, Macy; **Kim J. Regan**, Carmel, both of Ind.
- [73] Assignee: **Hanco Inc.**, Peru, Ind.
- [\*\*] Term: **14 Years**
- [21] Appl. No.: **29/077,286**
- [22] Filed: **Oct. 1, 1997**
- [51] **LOC (6) Cl.** ..... **06-06**
- [52] **U.S. Cl.** ..... **D6/502**
- [58] **Field of Search** ..... D6/334, 336, 356, D6/368, 374, 375, 379, 380, 491, 500, 502; 16/50, 54, 61, 225, 226, 255, 257, 277; 248/200.1, 233.41, 300, 629; 297/296, 297, 353, 383, 451.1, 463.1; D8/325

- D. 358,498 5/1995 Bruns ..... D6/366
- D. 376,272 12/1996 Piretti ..... D6/374
- D. 382,150 8/1997 Balderi et al. .... D6/502

*Primary Examiner*—Doris V. Coles  
*Assistant Examiner*—Mimosa De  
*Attorney, Agent, or Firm*—Woodard, Emhardt, Naughton, Moriarty & McNett

### [57] CLAIM

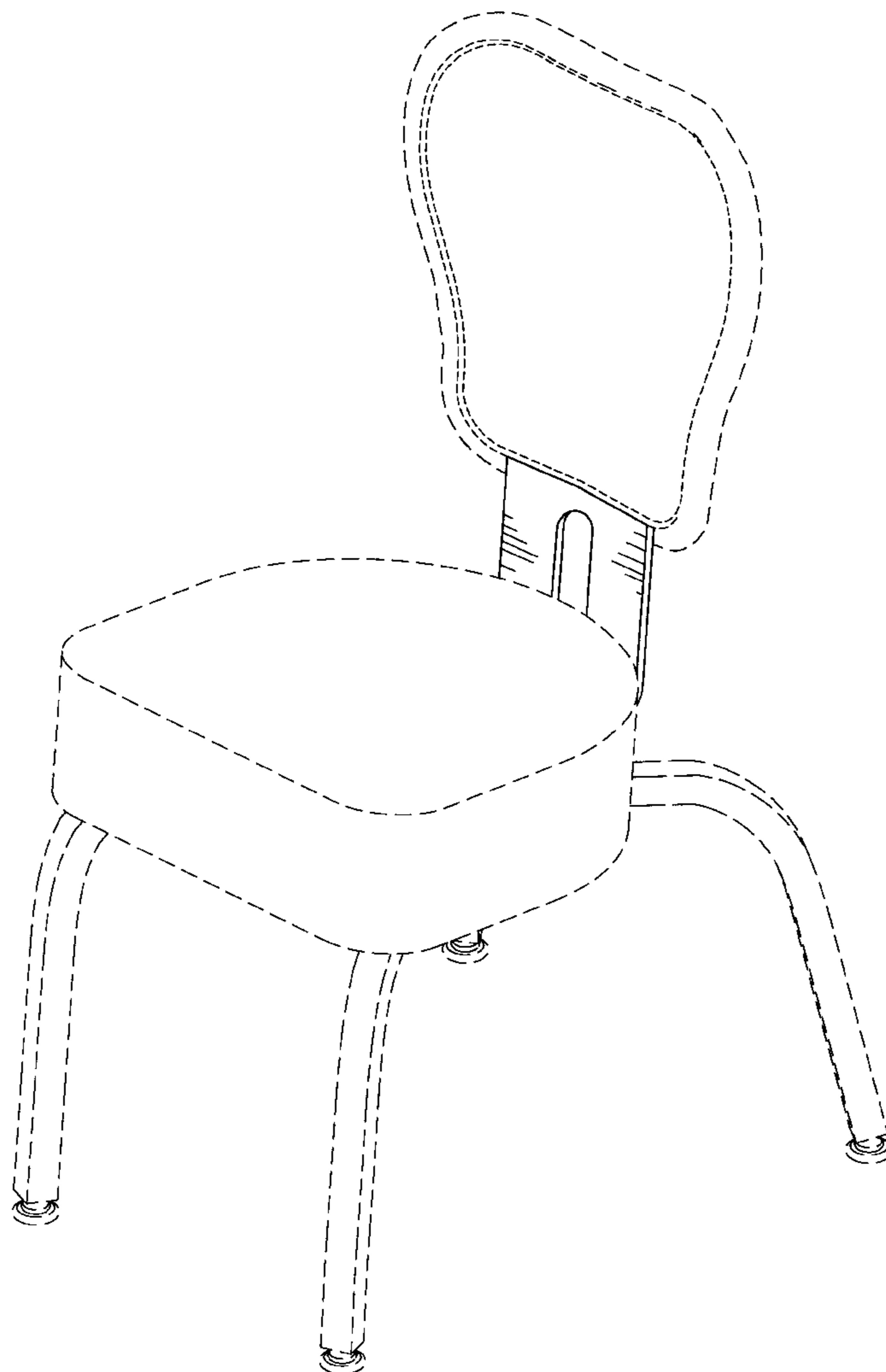
The ornamental design for a back bracket for a chair, as shown and described.

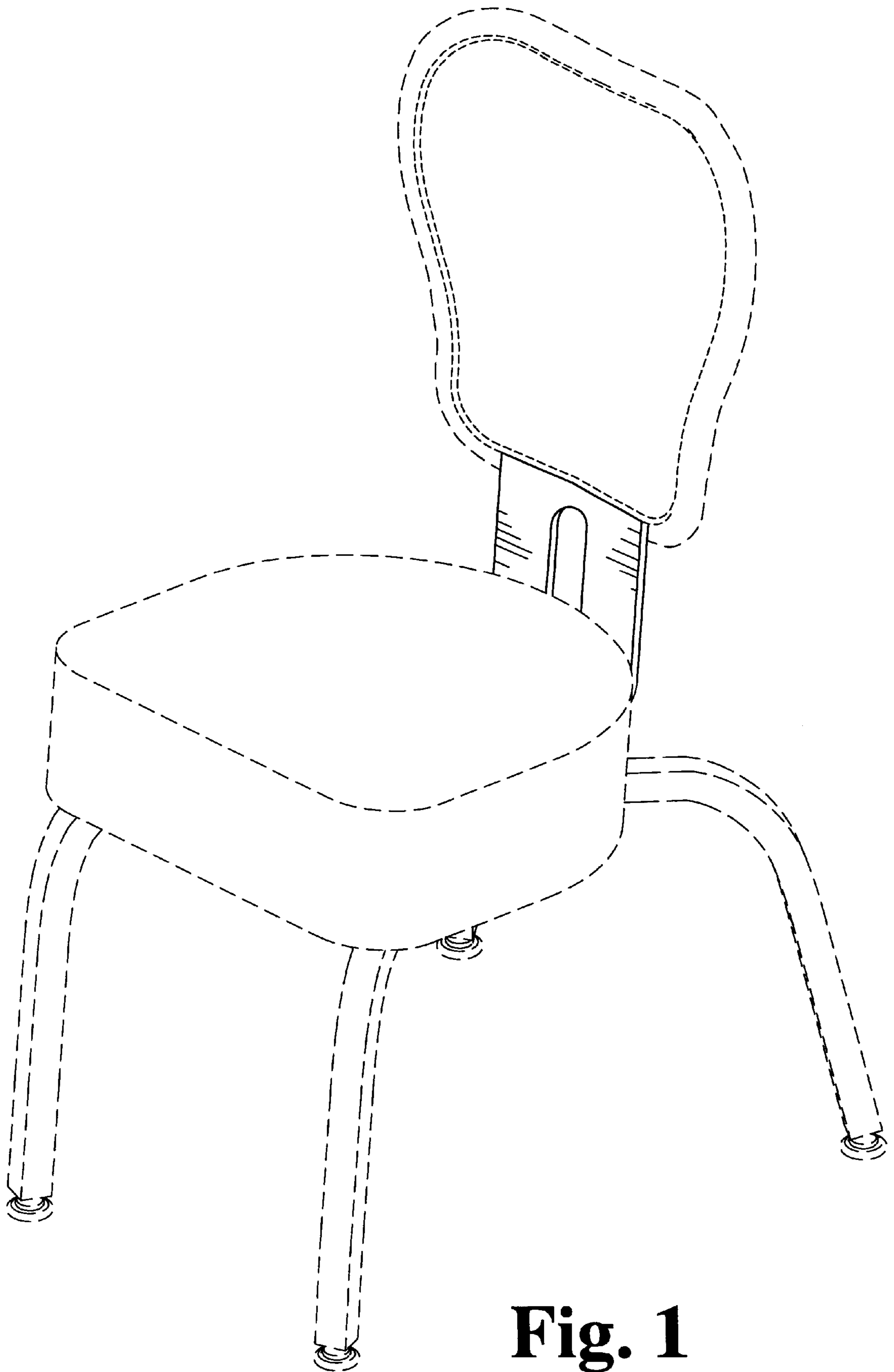
### DESCRIPTION

FIG. 1 is a perspective view of a back bracket for a chair showing our new design.  
 FIG. 2 is a left side view, the right side view being a mirror image thereof.  
 FIG. 3 is a front view.  
 FIG. 4 is a rear view; and,  
 FIG. 5 is bottom view.  
 The broken line showing of a chair is for illustrative purposes only and forms no part of the claimed design.

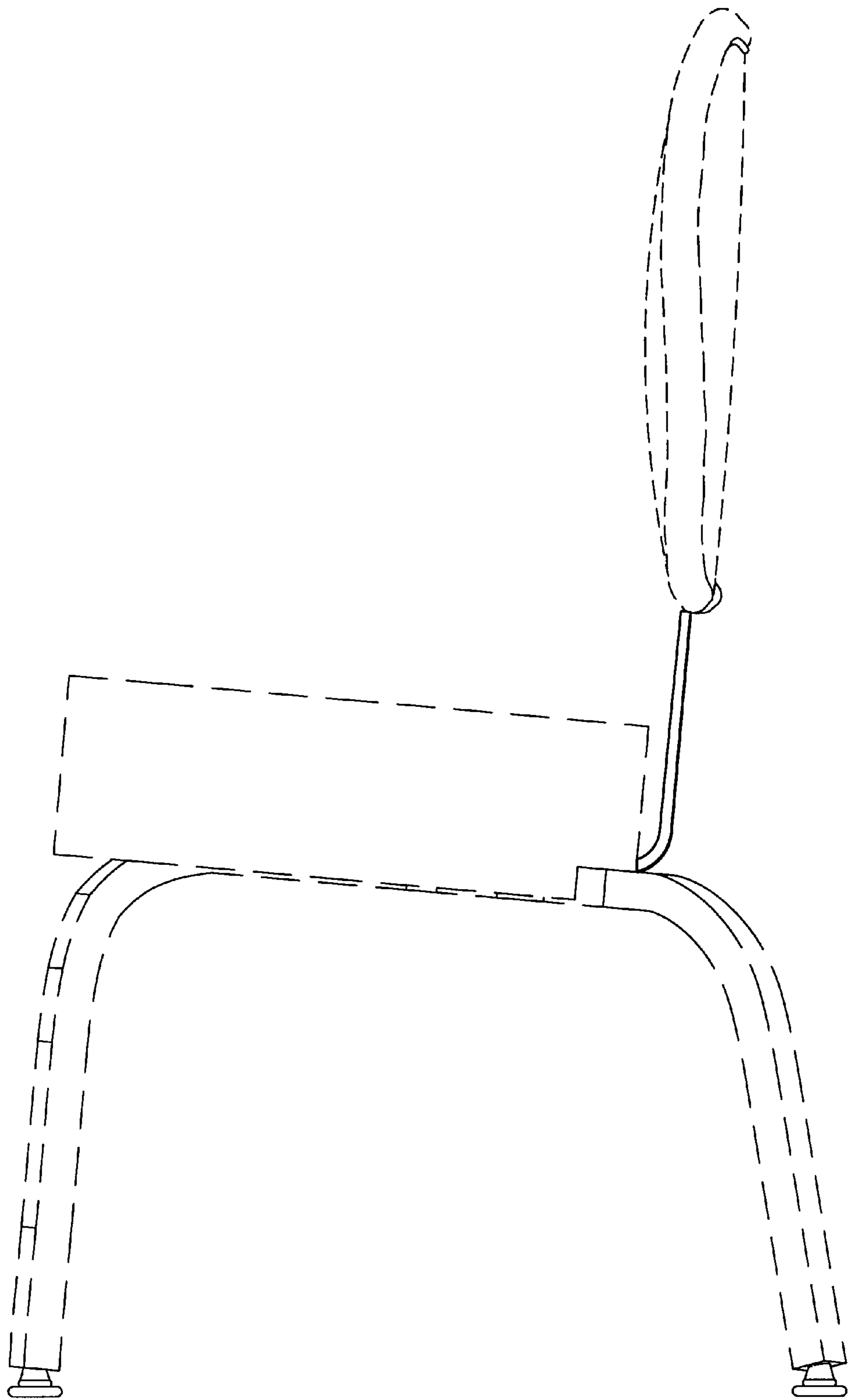
- [56] **References Cited**
- U.S. PATENT DOCUMENTS**
- D. 162,854 6/1949 Lumley ..... D6/380
- D. 166,893 5/1951 Weill ..... D6/374

**1 Claim, 5 Drawing Sheets**

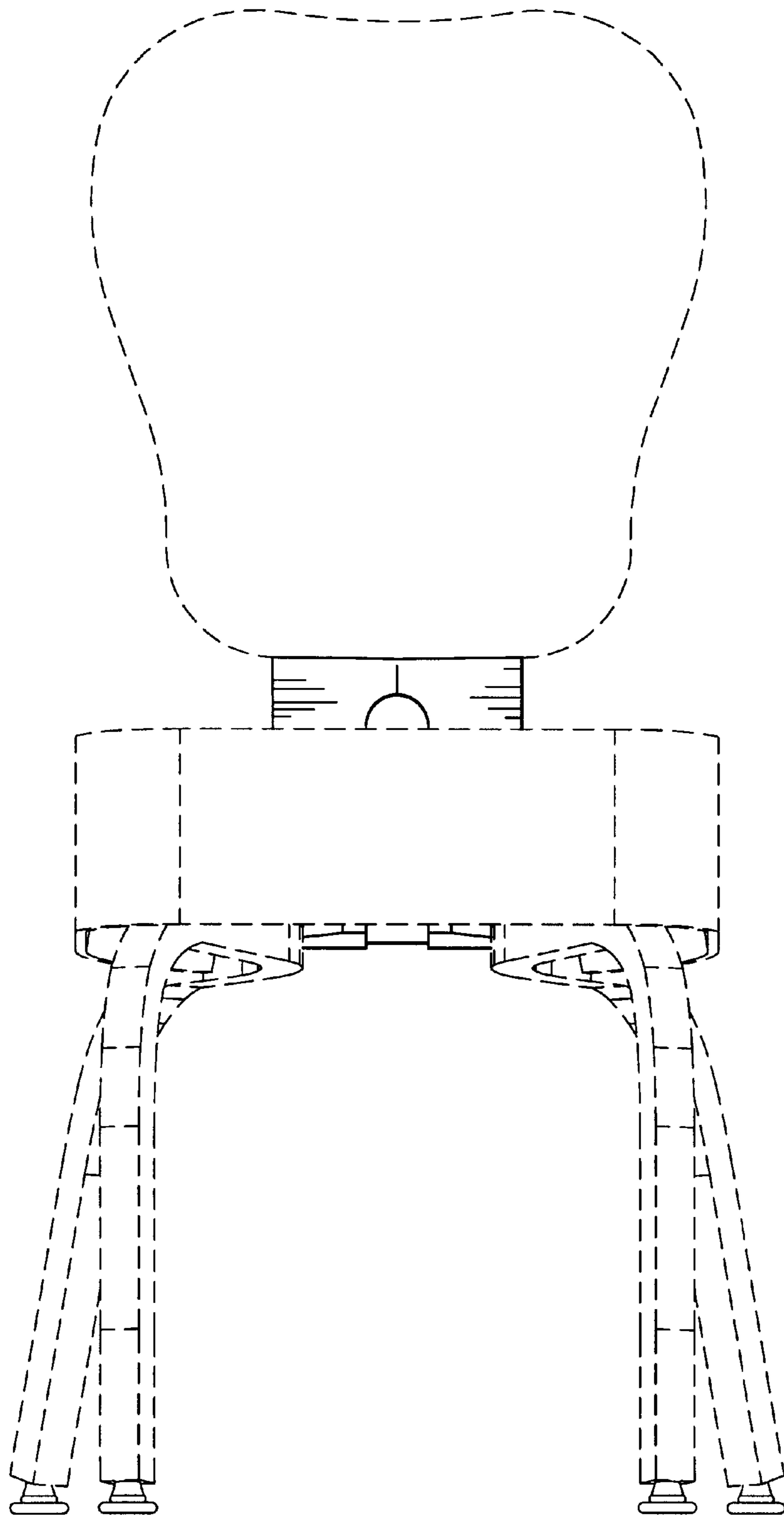




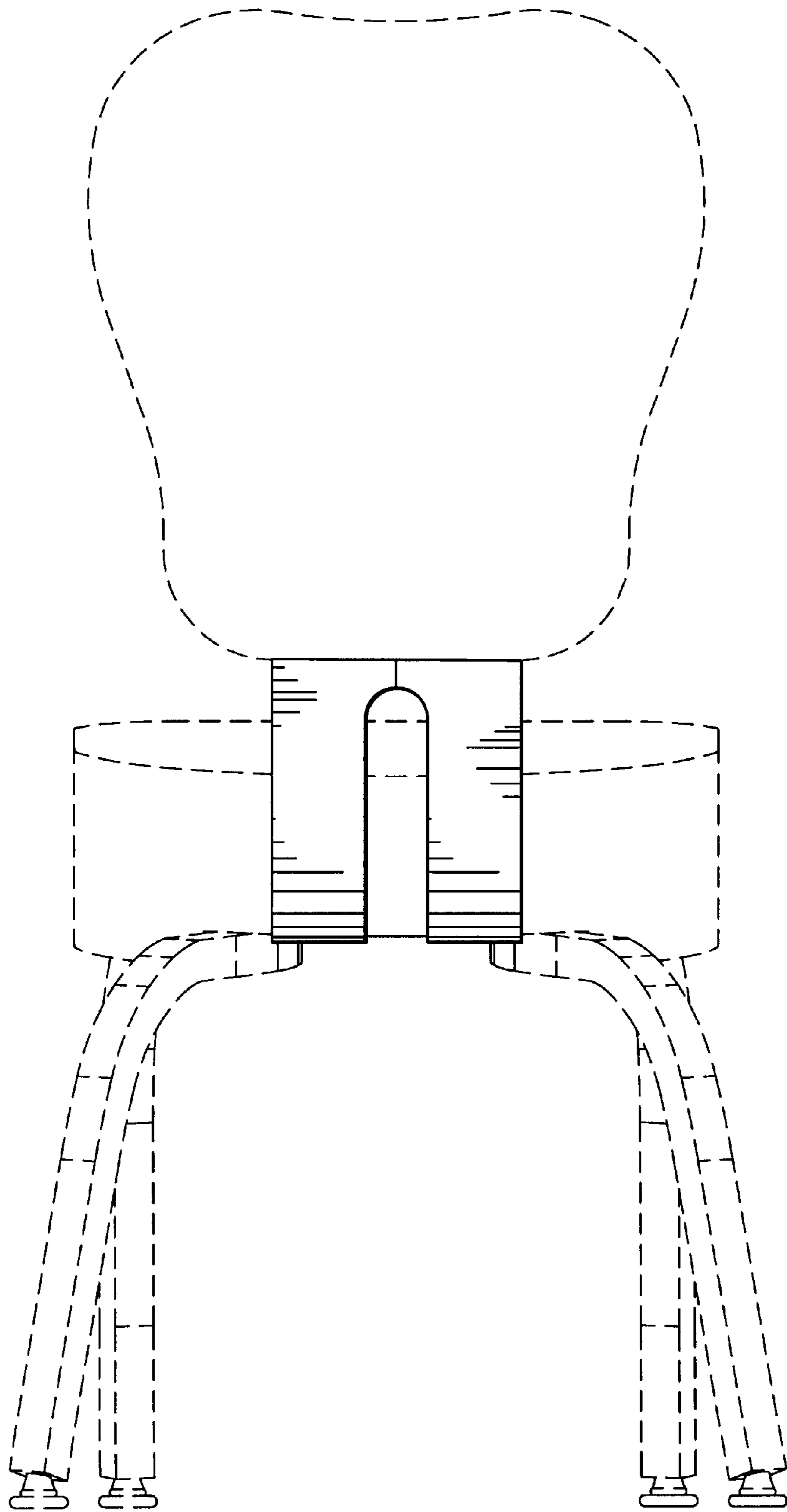
**Fig. 1**



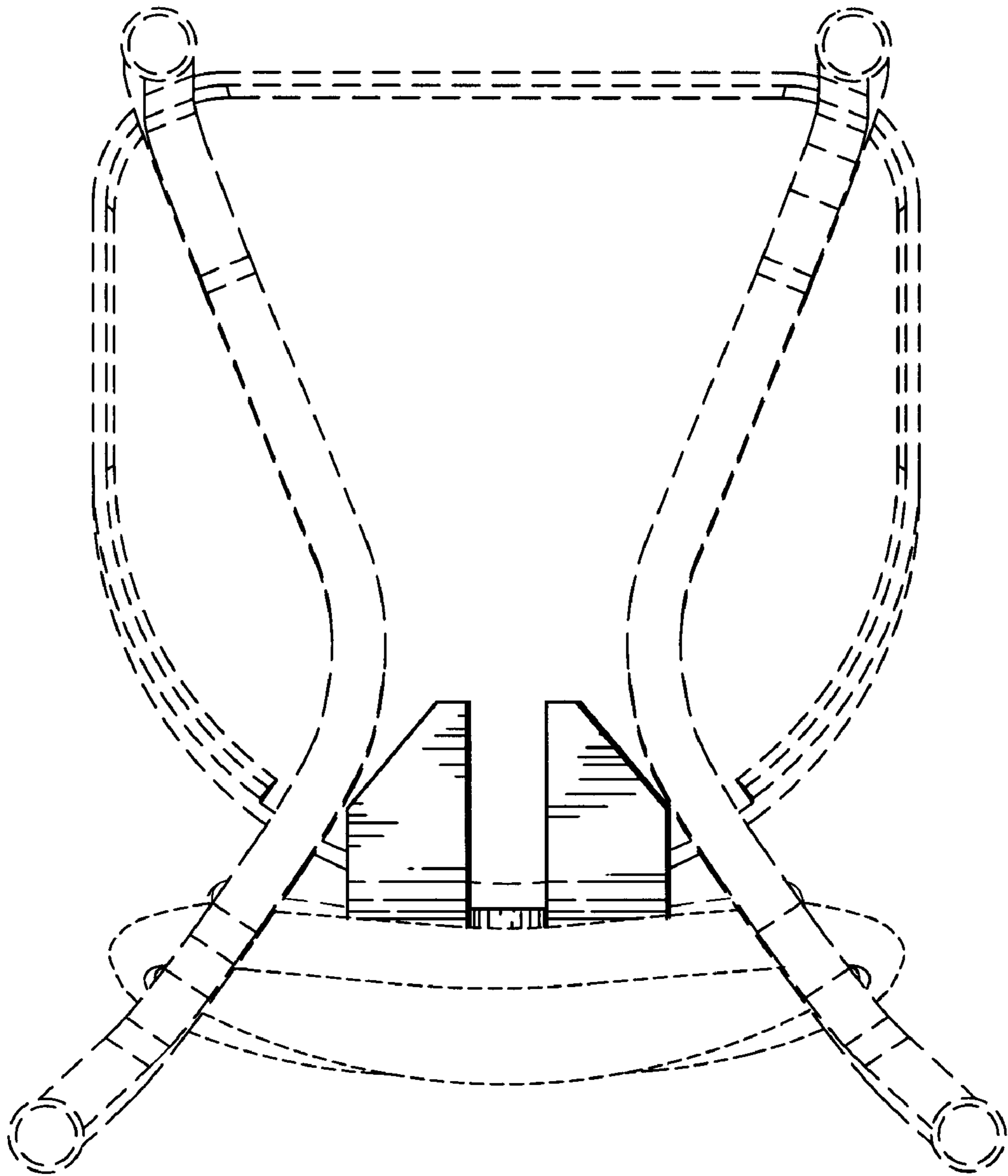
**Fig. 2**



**Fig. 3**



**Fig. 4**



**Fig. 5**