



US00D411698S

United States Patent [19]
Kalayjian

[11] **Patent Number: Des. 411,698**
[45] **Date of Patent: ** Jun. 29, 1999**

[54] **GUITAR STAND**

[76] Inventor: **Albert Kalayjian**, 1022 Cumberland Rd., Glendale, Calif. 91202

[**] Term: **14 Years**

[21] Appl. No.: **29/080,477**

[22] Filed: **Dec. 9, 1997**

[51] **LOC (6) Cl.** **06-04**

[52] **U.S. Cl.** **D6/462; D17/99**

[58] **Field of Search** D6/462, 463, 466-468, D6/429, 411, 431; D17/99; 248/146, 163.1, 176.1, 441.1, 443, 153, 121; 211/60.1, 85.6, 181.1; 84/327, 453

[56] **References Cited**

U.S. PATENT DOCUMENTS

D. 236,227	8/1975	Kester, Jr.	D6/431
D. 260,589	9/1981	O'Brien	D6/463
D. 353,729	12/1994	MacOwan	D6/466
D. 392,123	3/1998	Lynch	D6/466

D. 396,579	8/1998	Kalayjian	D6/462
1,135,752	4/1915	Balaban	248/441.1
1,612,148	12/1926	Oettinger	211/85.6
3,737,137	6/1973	Sheehan	248/441.1
4,691,610	9/1987	Gilbert	84/327
4,805,297	2/1989	Seneff	248/176.1
5,149,905	9/1992	Count	84/327 X

Primary Examiner—James Gandy
Assistant Examiner—Linda Brooks

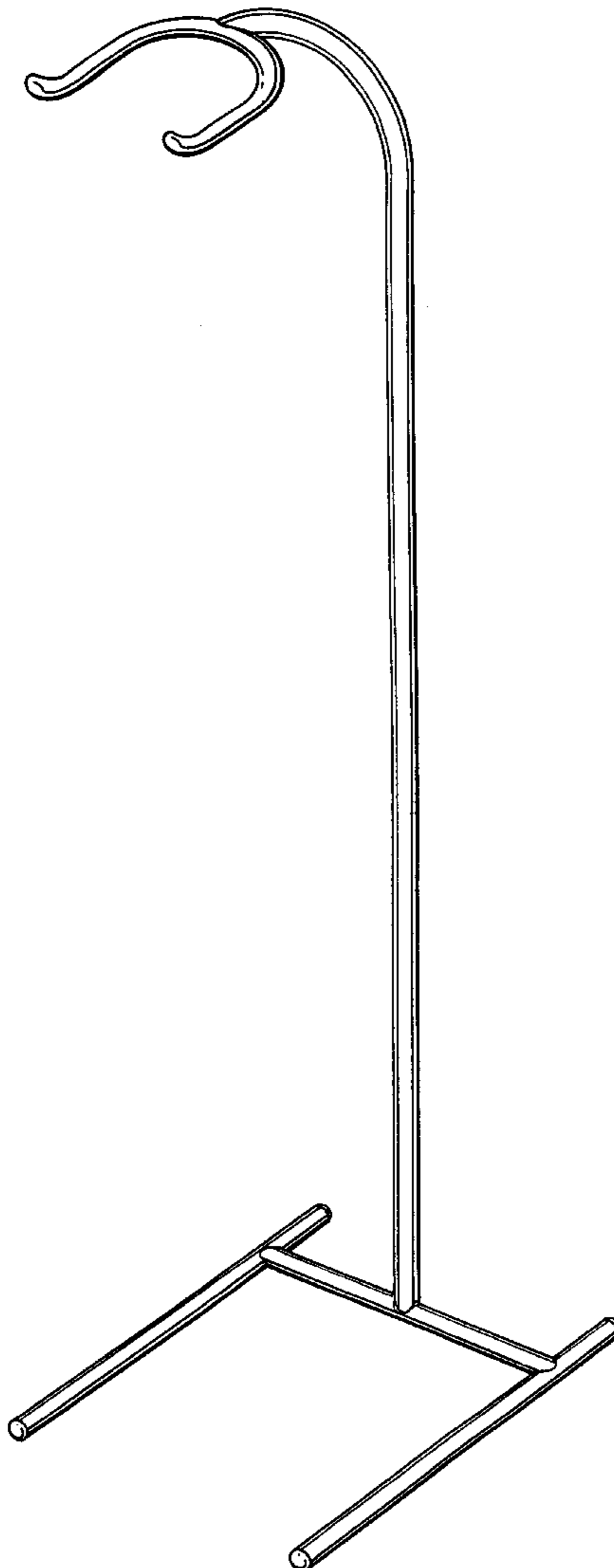
[57] **CLAIM**

The ornamental design for a guitar stand, as shown.

DESCRIPTION

FIG. 1 is a left rear elevational view of a guitar stand showing my new design;
FIG. 2 is a right front elevational view thereof;
FIG. 3 is a front elevational view thereof.
FIG. 4 is a top plan view thereof; and,
FIG. 5 is a right side elevational view thereof.

1 Claim, 2 Drawing Sheets



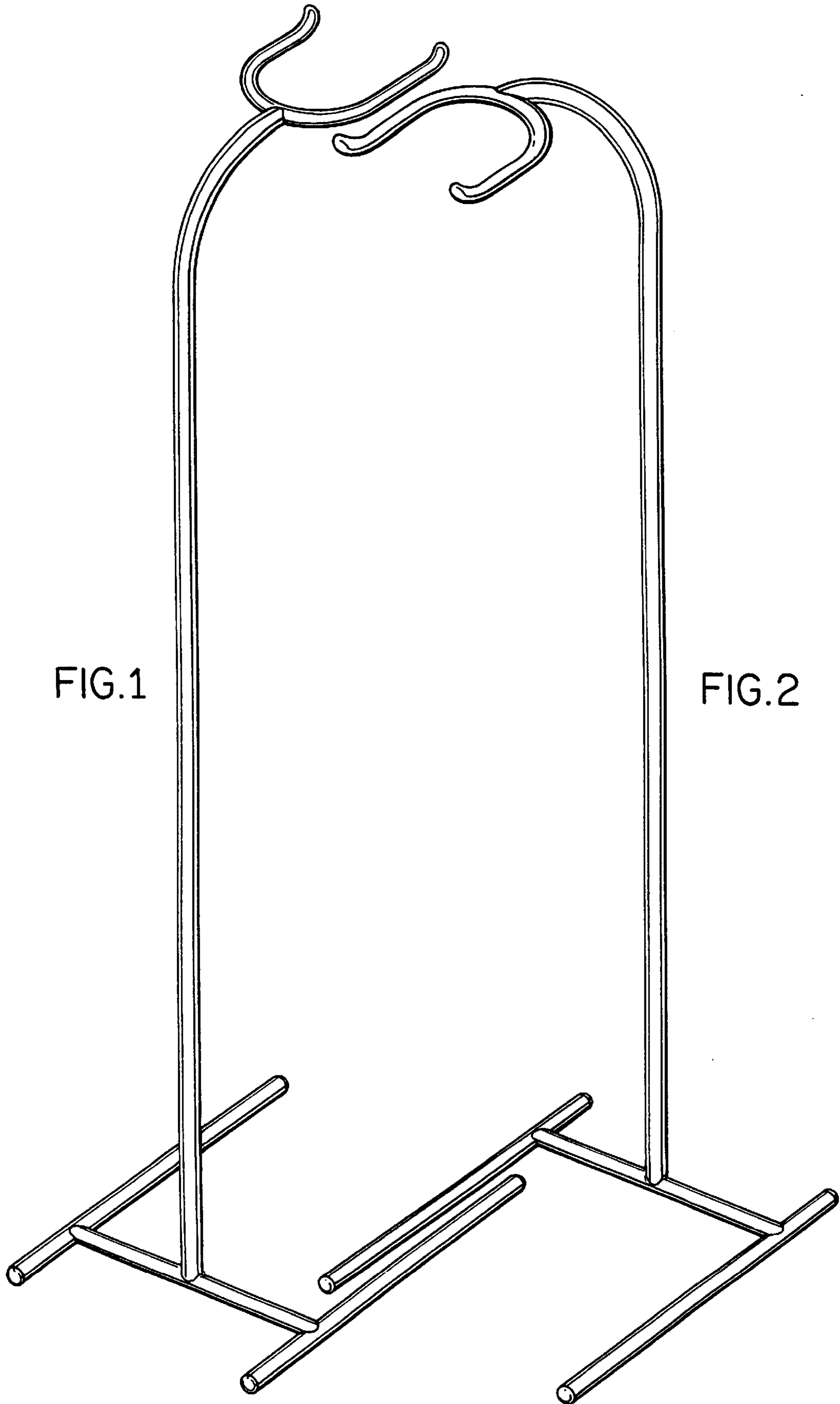


FIG.1

FIG.2

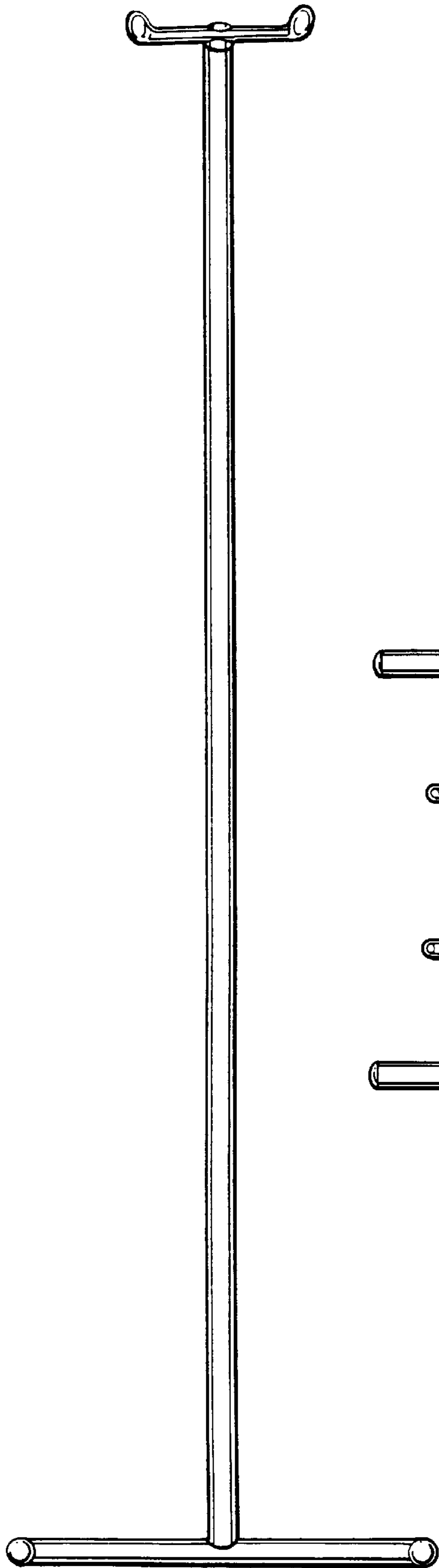


FIG. 3

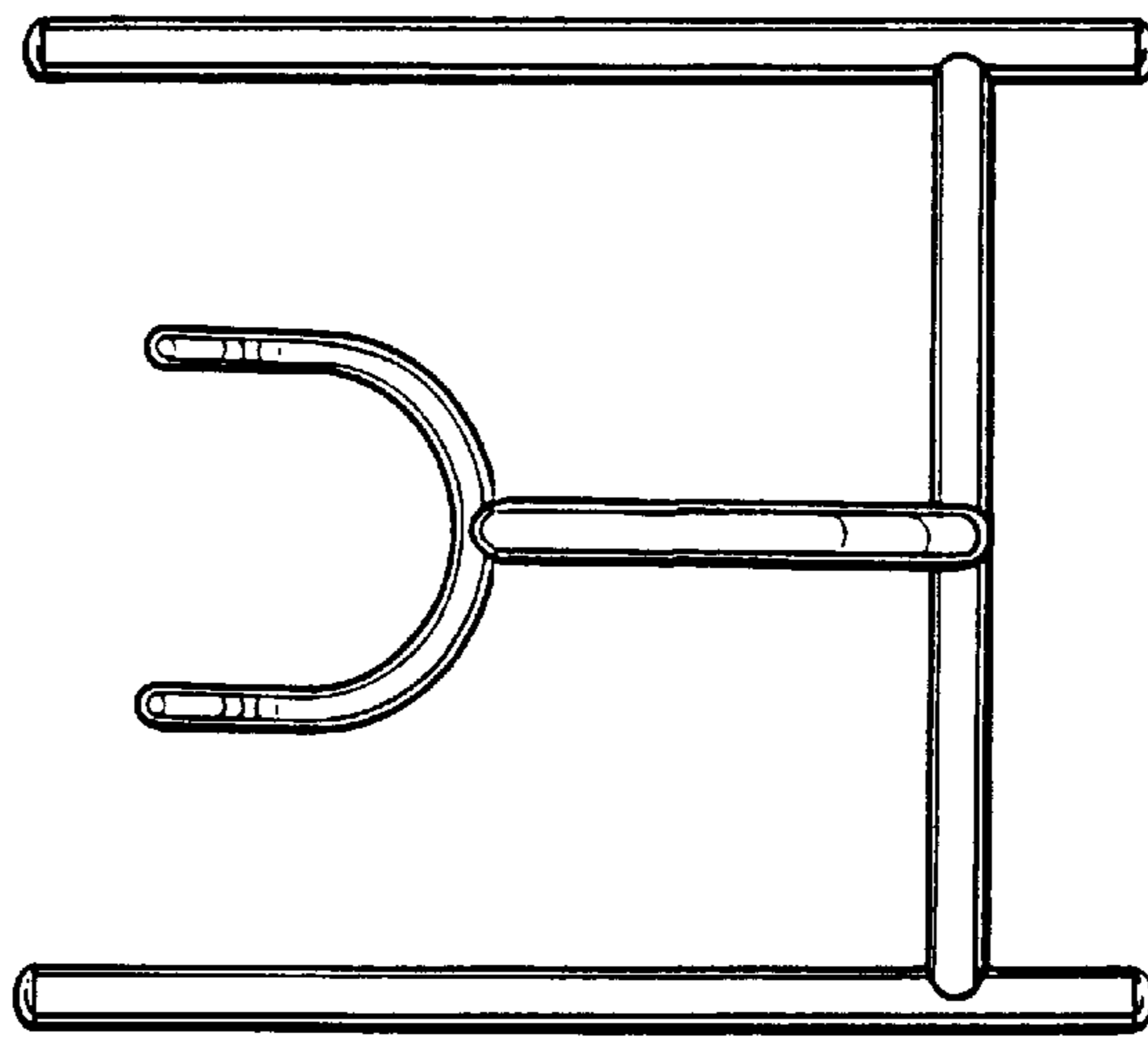


FIG. 4

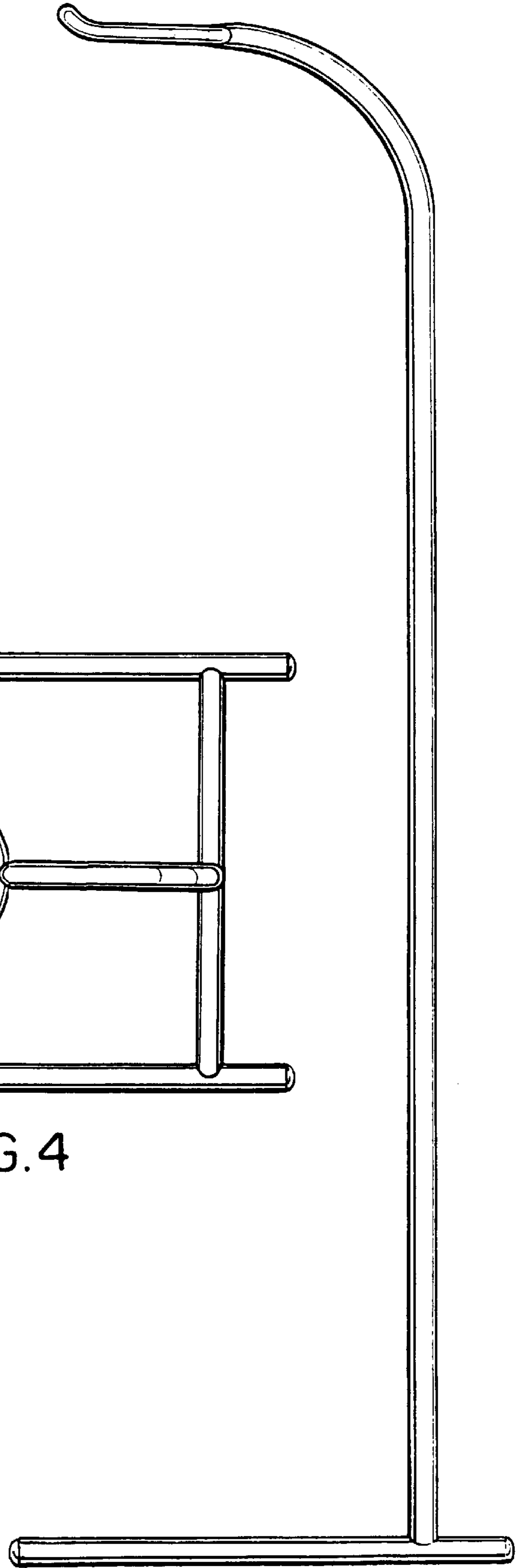


FIG. 5