



US00D411689S

# United States Patent [19]

Papaioannou et al.

[11] Patent Number: **Des. 411,689**

[45] Date of Patent: **\*\* Jun. 29, 1999**

[54] AIRCRAFT OTTOMAN

5,556,167 9/1996 Siemion ..... 297/423.15

[75] Inventors: **Vicki Papaioannou**, Mascot, Australia;  
**Colin Breakspear**, Camberley, United Kingdom;  
**Nik Makris**, Richmond, Australia

### FOREIGN PATENT DOCUMENTS

9618537 6/1996 WIPO .

[73] Assignee: **Qantas Airways Limited**, Australia

*Primary Examiner*—Janice E. Seeger  
*Attorney, Agent, or Firm*—Dorsey & Whitney LLP

[\*\*] Term: **14 Years**

### [57] CLAIM

The ornamental design for an aircraft ottoman, as shown.

[21] Appl. No.: **29/079,685**

### DESCRIPTION

[22] Filed: **Nov. 21, 1997**

FIG. 1 is a front perspective view of the aircraft ottoman showing our new design.

### [30] Foreign Application Priority Data

May 22, 1997 [AU] Australia ..... 1606/97

FIG. 2 is a side elevational view of the aircraft ottoman as seen from the left-hand side of FIG. 1;

[51] **LOC (6) Cl.** ..... **06-01**

[52] **U.S. Cl.** ..... **D6/349**

FIG. 3 is a side elevational view of the aircraft ottoman as seen from the right-hand side of FIG. 1;

[58] **Field of Search** ..... D6/334, 349, 351–353,  
D6/484, 485, 482, 356; 297/461, 462, 423.1,  
423.15, 423.39, 423.4, 112, 232; 296/69

FIG. 4 is a rear elevational view of the aircraft ottoman of FIG. 1;

FIG. 5 is a front elevational view of the aircraft ottoman of FIG. 1; and,

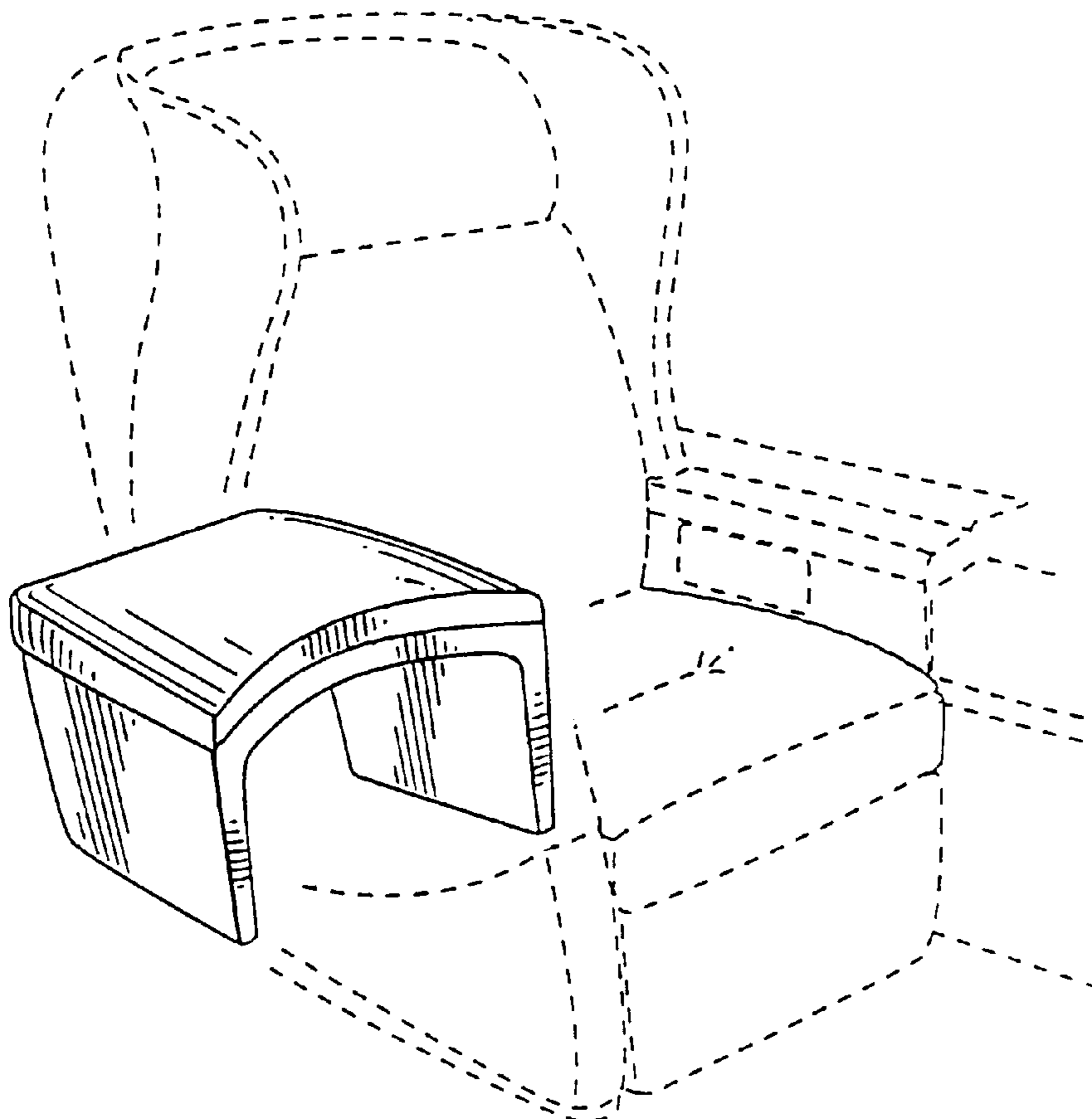
### [56] References Cited

#### U.S. PATENT DOCUMENTS

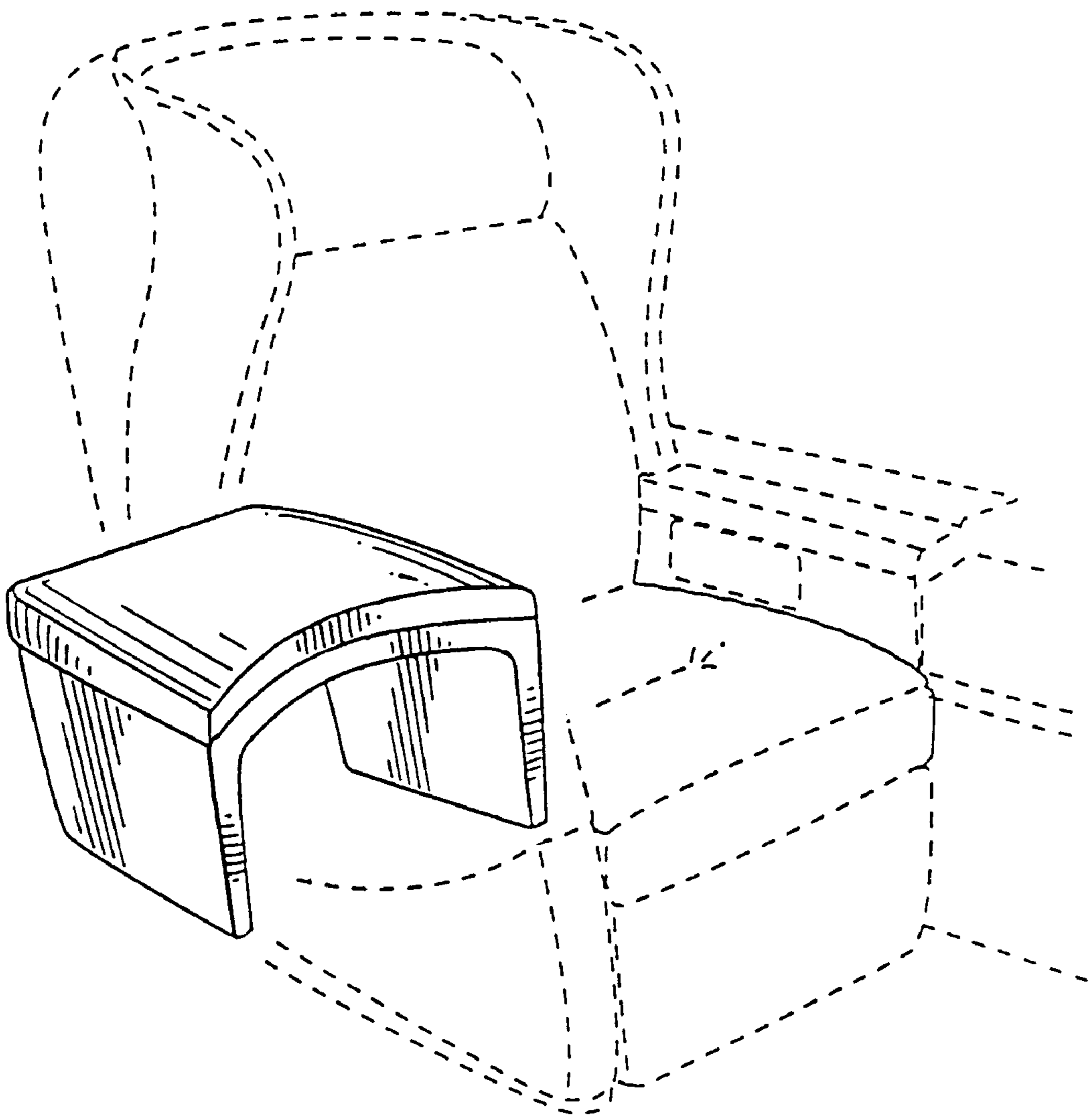
D. 334,304 3/1993 Gilman ..... D6/449  
2,912,046 11/1959 Fuerst ..... 297/423.39  
3,463,539 8/1969 Racine et al. .... 297/232

FIG. 6 is a top plan view of the aircraft ottoman of FIG. 1. The broken lines are for environmental purposes only and form no part of the claimed design. The bottom of the article is plain and unornamented.

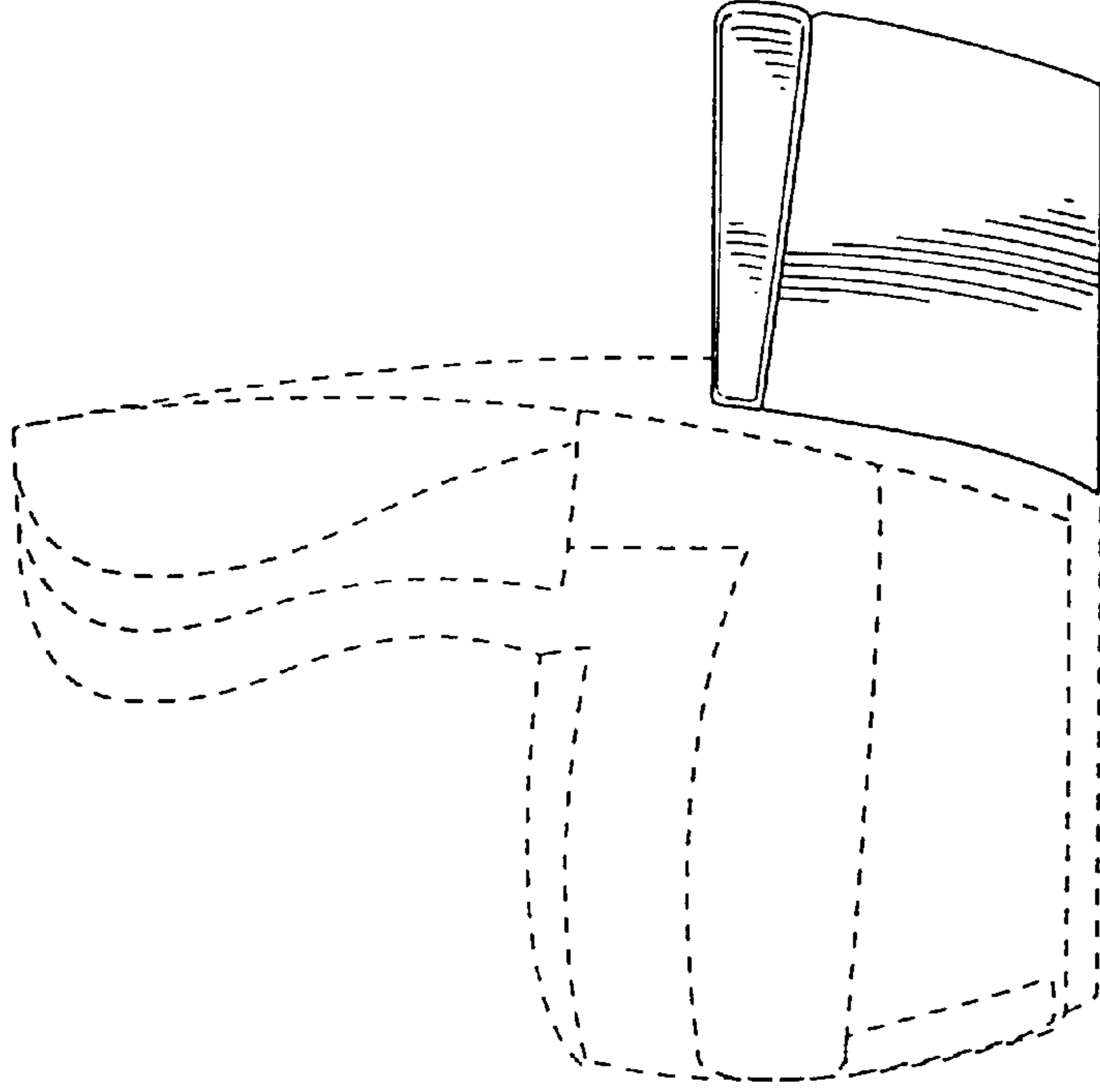
**1 Claim, 3 Drawing Sheets**



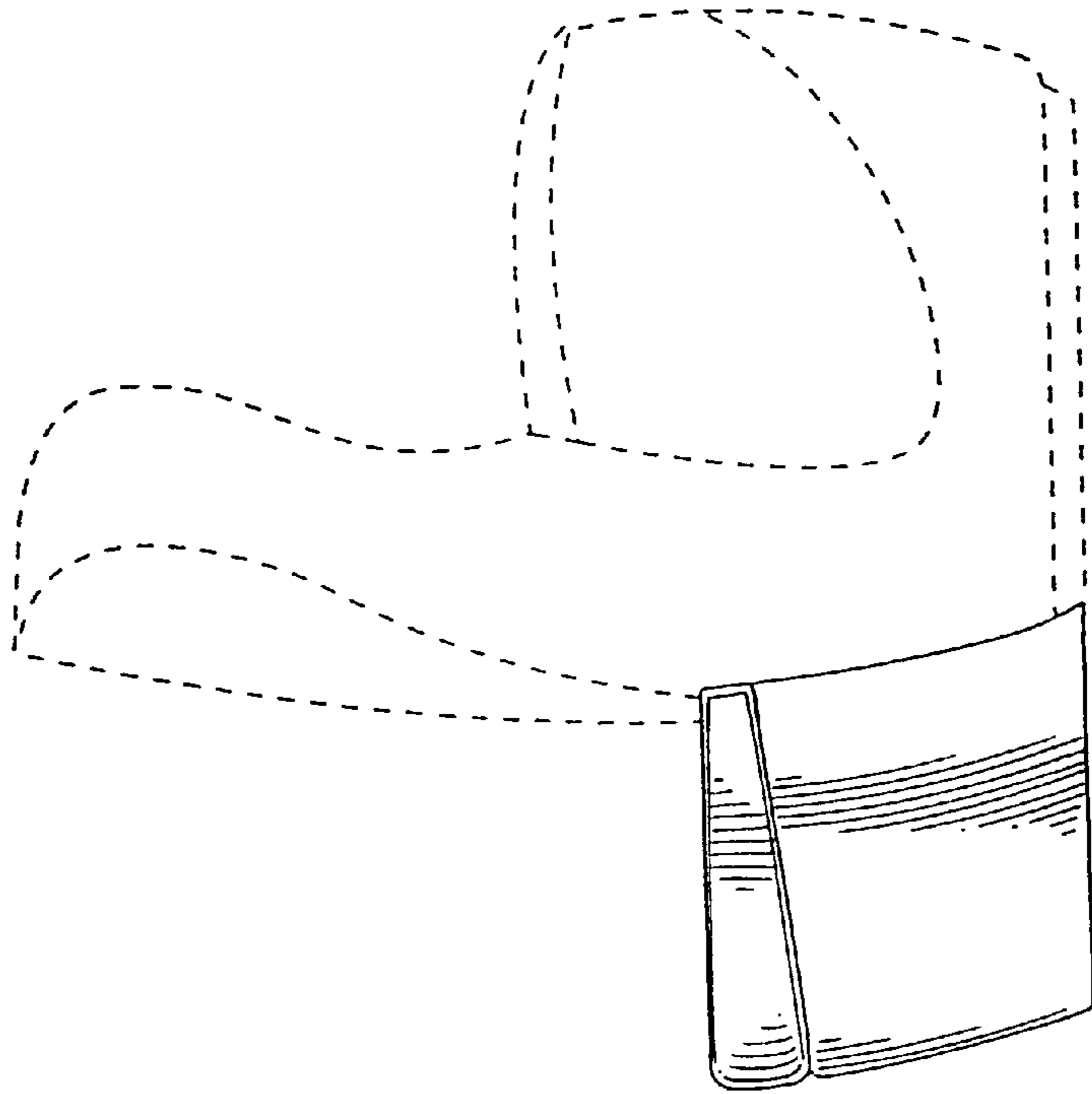
*Fig. 1*



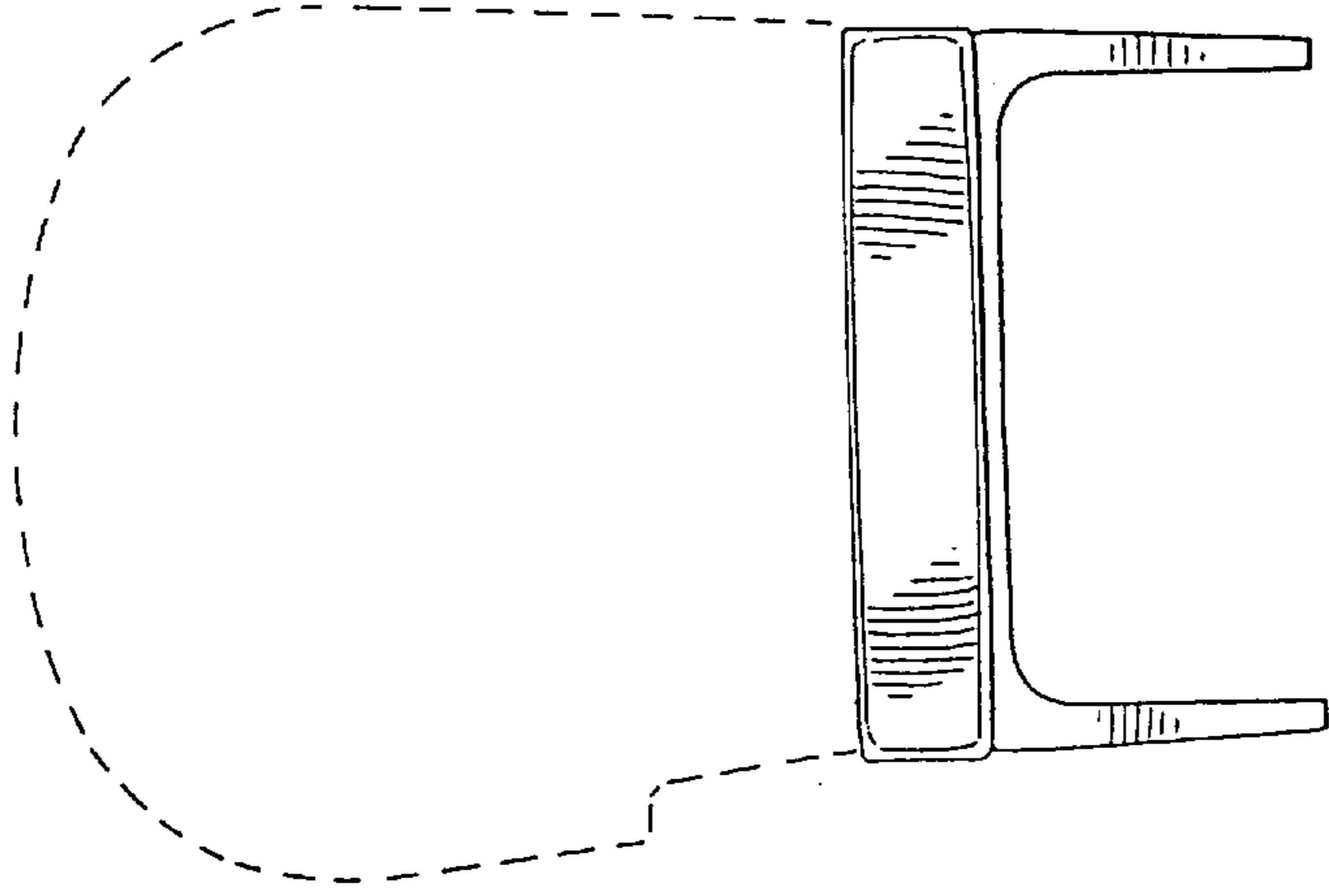
*Fig. 3*



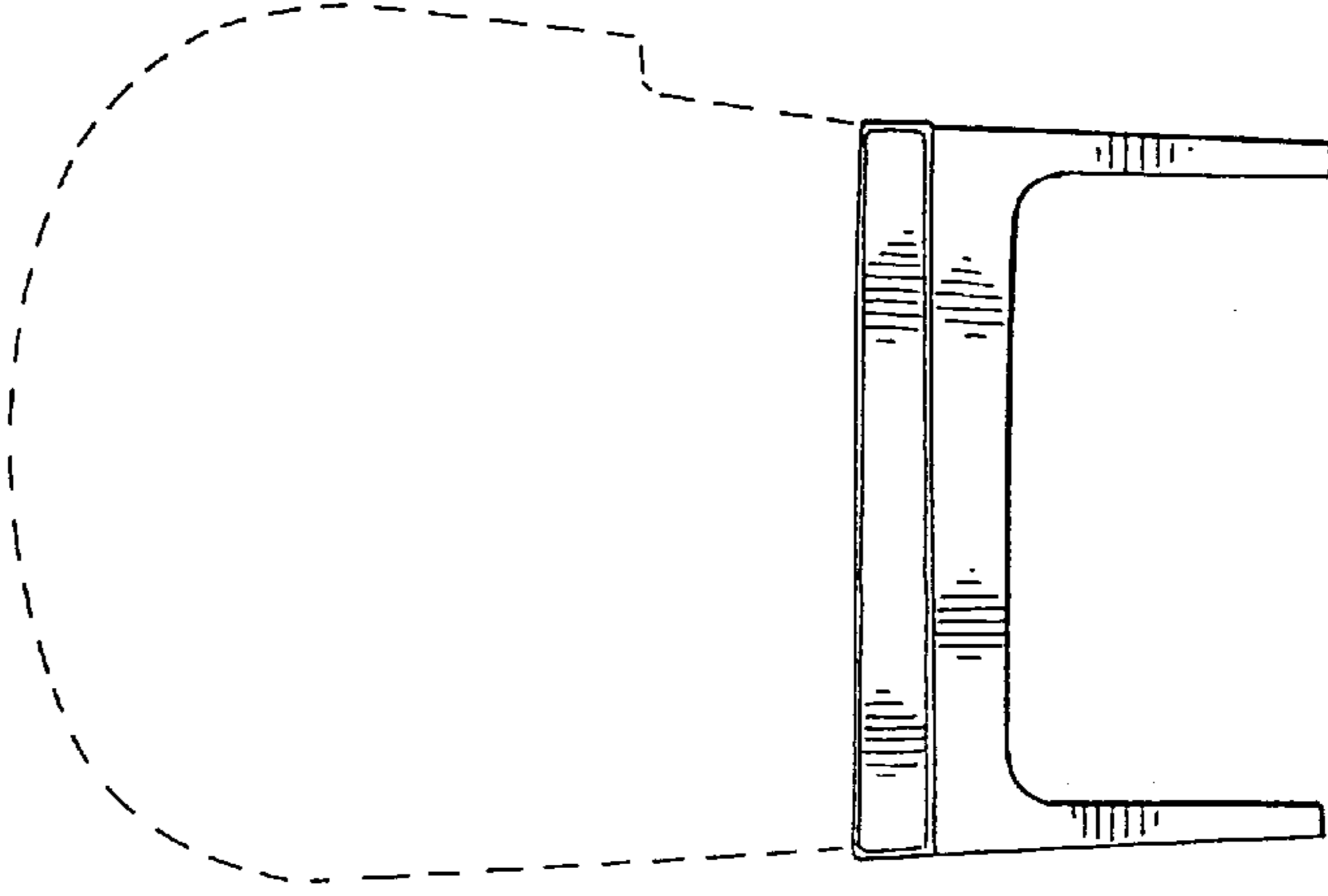
*Fig. 2*



*Fig. 4*



*Fig. 5*



*Fig. 6*

