



US00D411688S

United States Patent [19] Horton

[11] Patent Number: **Des. 411,688**

[45] Date of Patent: **** Jun. 29, 1999**

[54] **CHAIR**

[76] Inventor: **John C. Horton**, 4610 Winterset Dr.,
Knoxville, Tenn. 37912

[**] Term: **14 Years**

[21] Appl. No.: **29/083,581**

[22] Filed: **Feb. 12, 1998**

[51] **LOC (6) Cl.** **06-01**

[52] **U.S. Cl.** **D6/336**

[58] **Field of Search** D6/334, 335, 336,
D6/368, 500, 501, 502; 297/188.01, 188.08,
188.11, 188.17

[56] **References Cited**

U.S. PATENT DOCUMENTS

D. 21,941	3/1892	Dunnam	297/188.11
D. 24,005	2/1895	Woods	297/188.08
D. 48,324	12/1915	McLarty	D6/336
D. 101,895	9/1936	Stoddard	D6/336
D. 274,581	7/1984	Gallock	D6/336
D. 293,632	1/1988	Capocasa	D6/336
D. 302,495	8/1989	Hashihara	D6/367
D. 329,146	9/1992	Neal	D6/336
D. 345,865	4/1994	Tintori	D6/336
520,281	5/1894	Wonson et al.	297/188.11
794,461	7/1905	Mackey	297/188.11

811,475	1/1906	Bradley	297/188.11
2,765,025	7/1956	Bakalick et al.	297/188.08
4,191,420	3/1980	Fassett et al.	297/194
4,474,407	10/1984	Nazar	297/192
4,772,068	9/1988	Gleckler et al.	297/39
5,409,291	4/1995	Lamb et al.	297/129
5,628,544	5/1997	Goodman et al.	297/188.14

Primary Examiner—Doris V. Coles
Assistant Examiner—Mimosa De
Attorney, Agent, or Firm—Leudeka, Neely & Graham PC

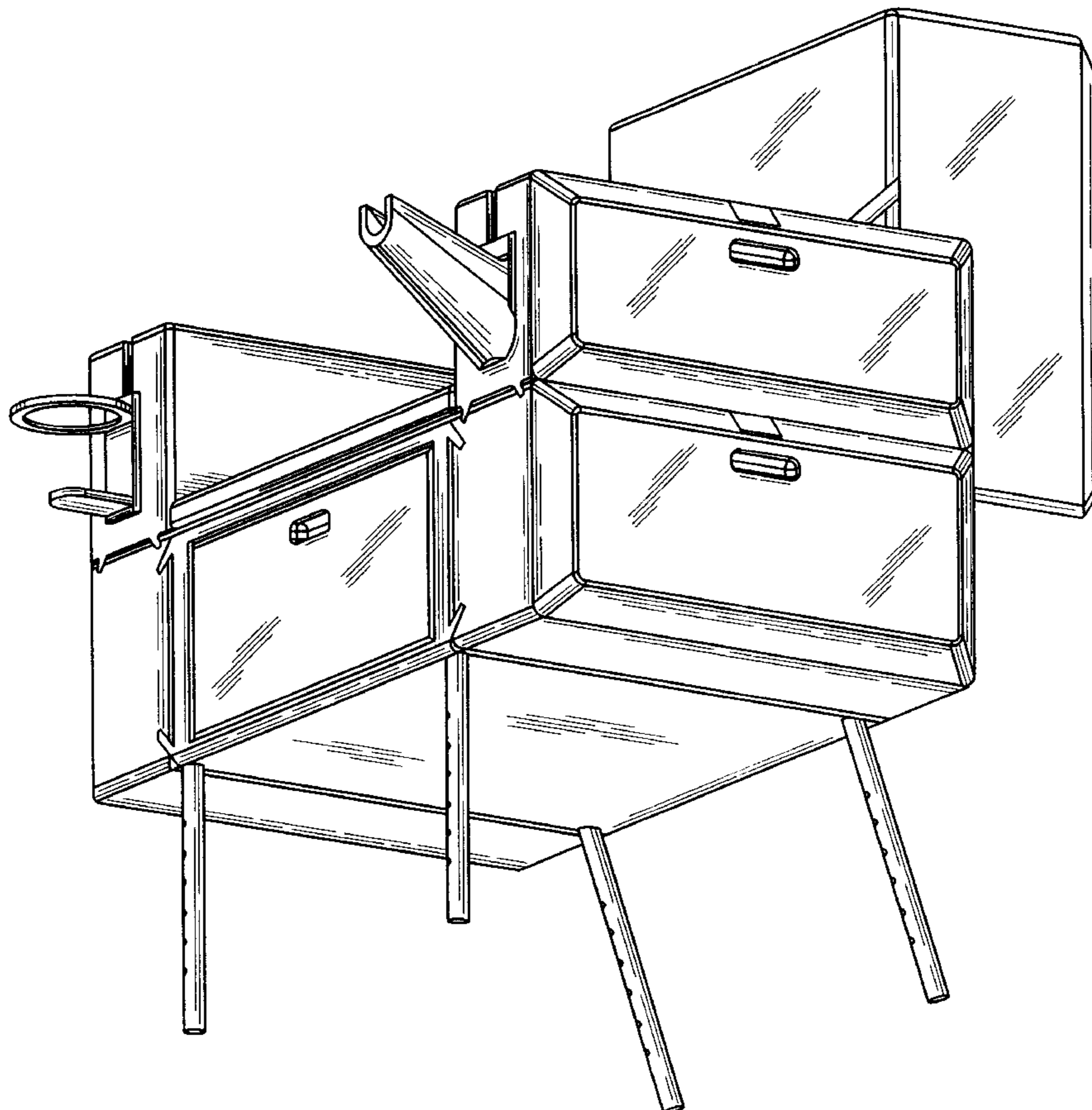
[57] **CLAIM**

The ornamental design for a chair, as shown.

DESCRIPTION

FIG. 1 is a perspective view of the chair of my new design; FIG. 2 is a right side elevational view of the chair of my new design; FIG. 3 is a left side elevational view of the chair of my new design; FIG. 4 is a front elevational view of the chair of my new design; FIG. 5 is a rear elevational view of the chair of my new design; FIG. 6 is a top plan view of the chair of my new design; and, FIG. 7 is a bottom plan view of the chair of my new design.

1 Claim, 7 Drawing Sheets



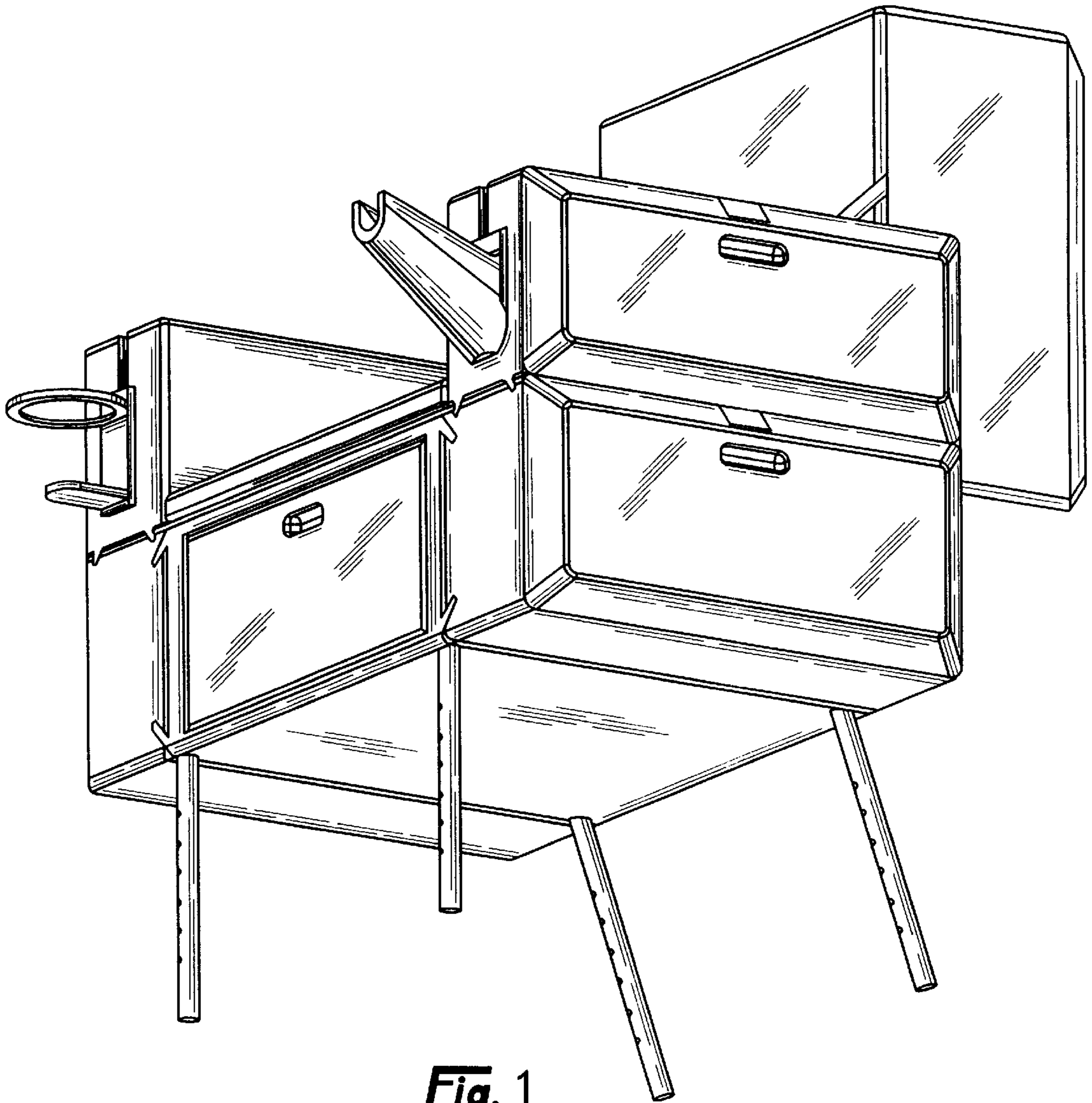


Fig. 1

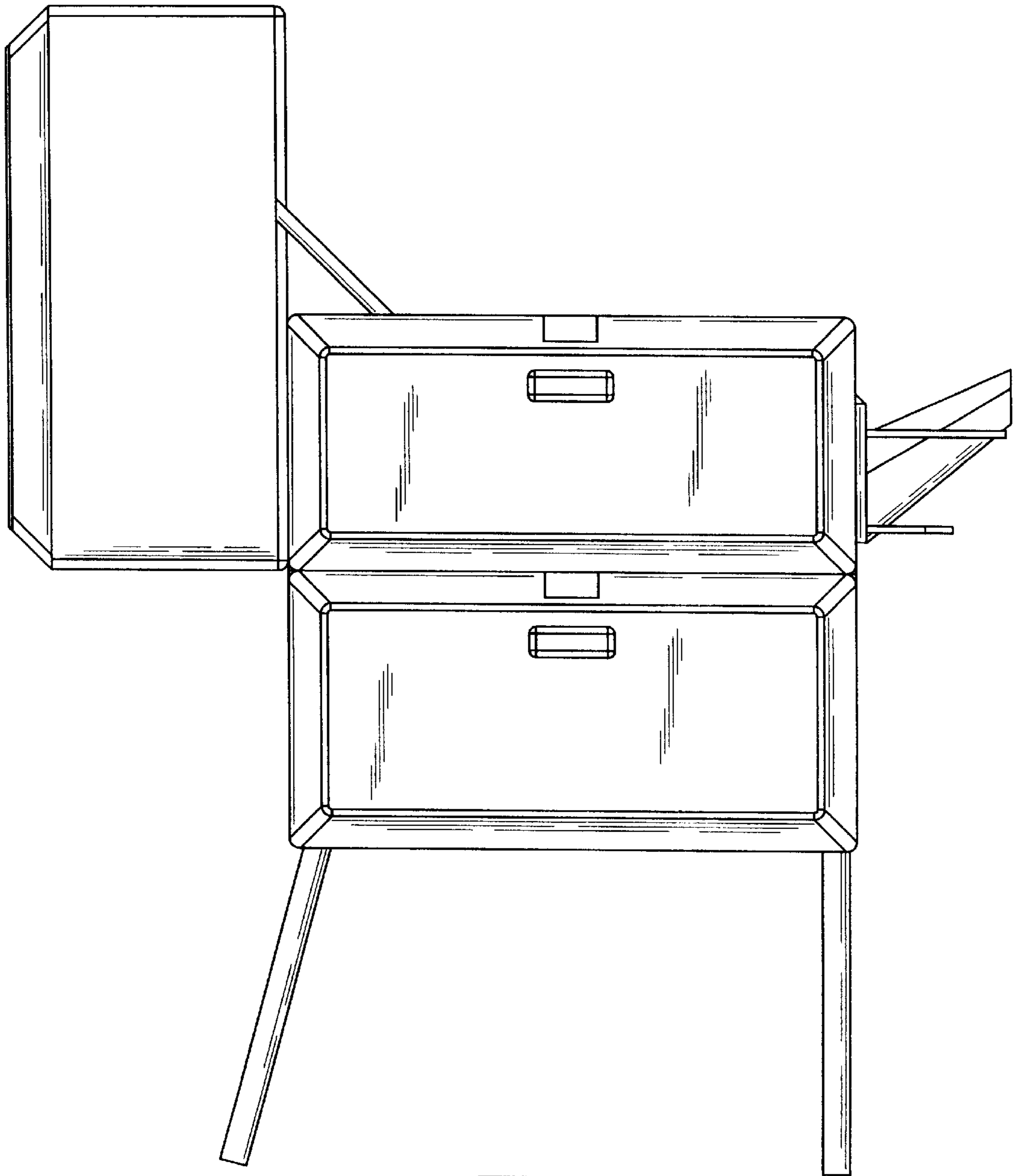


Fig. 2

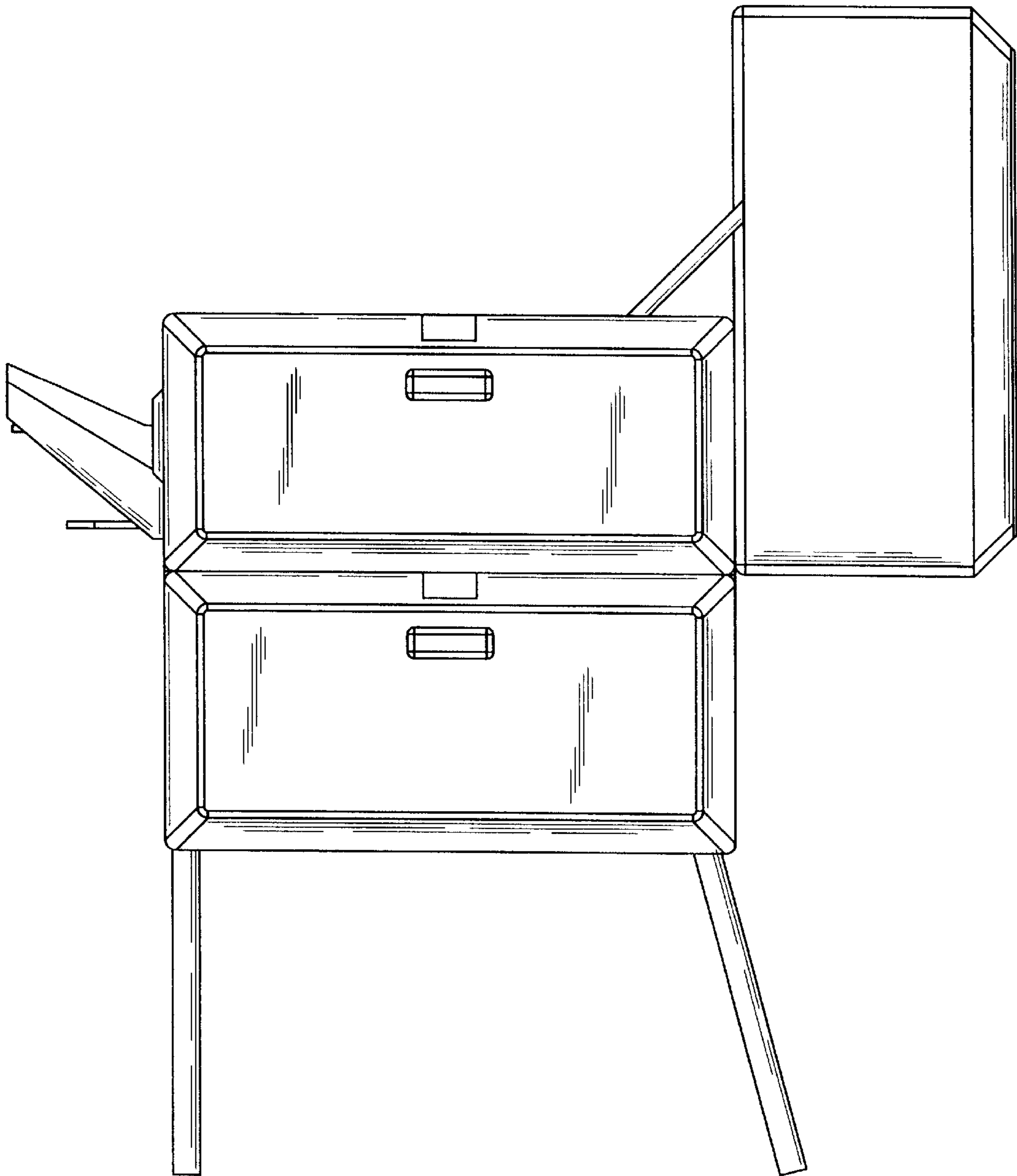


Fig. 3

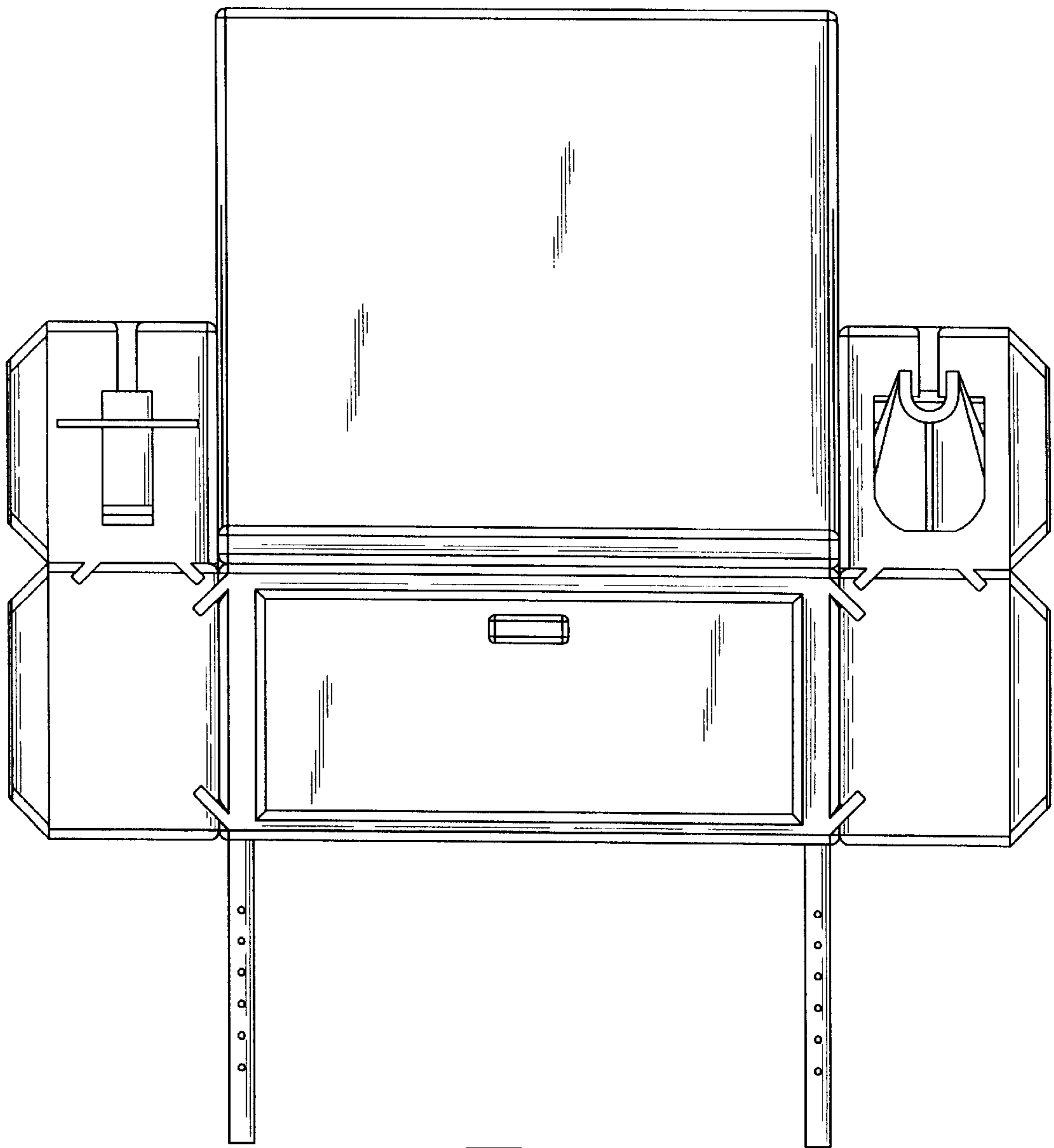


Fig. 4

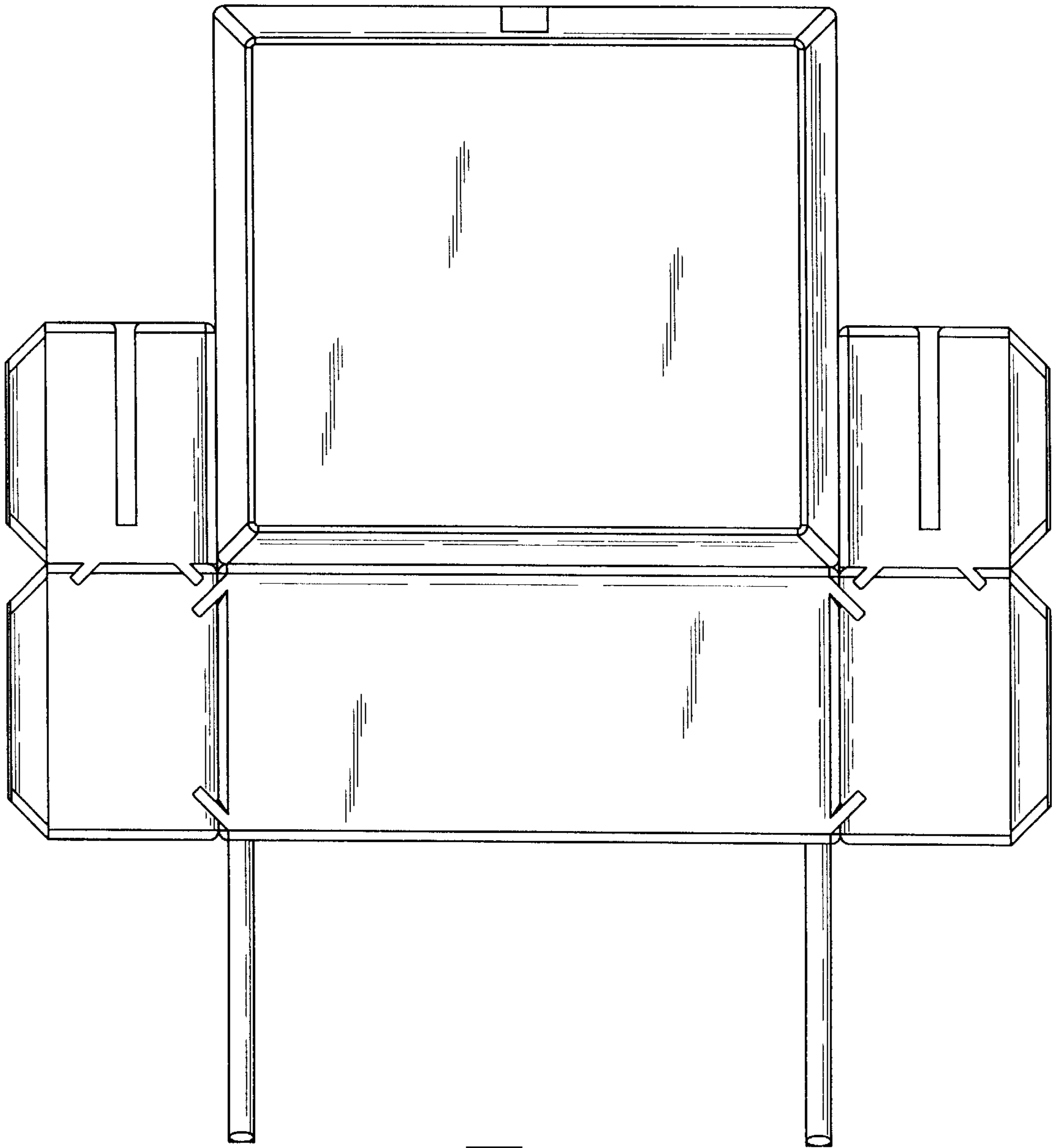


Fig. 5

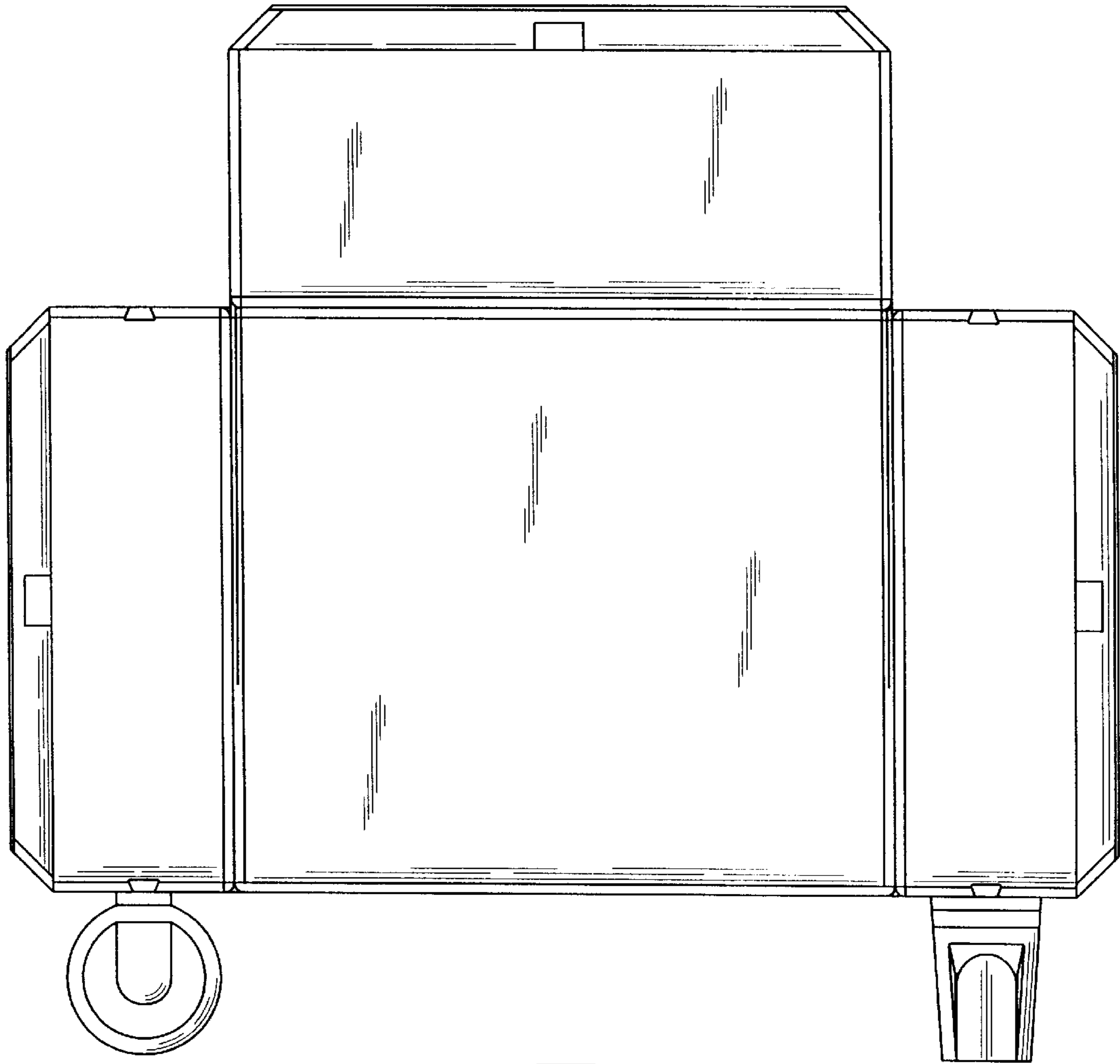


Fig. 6

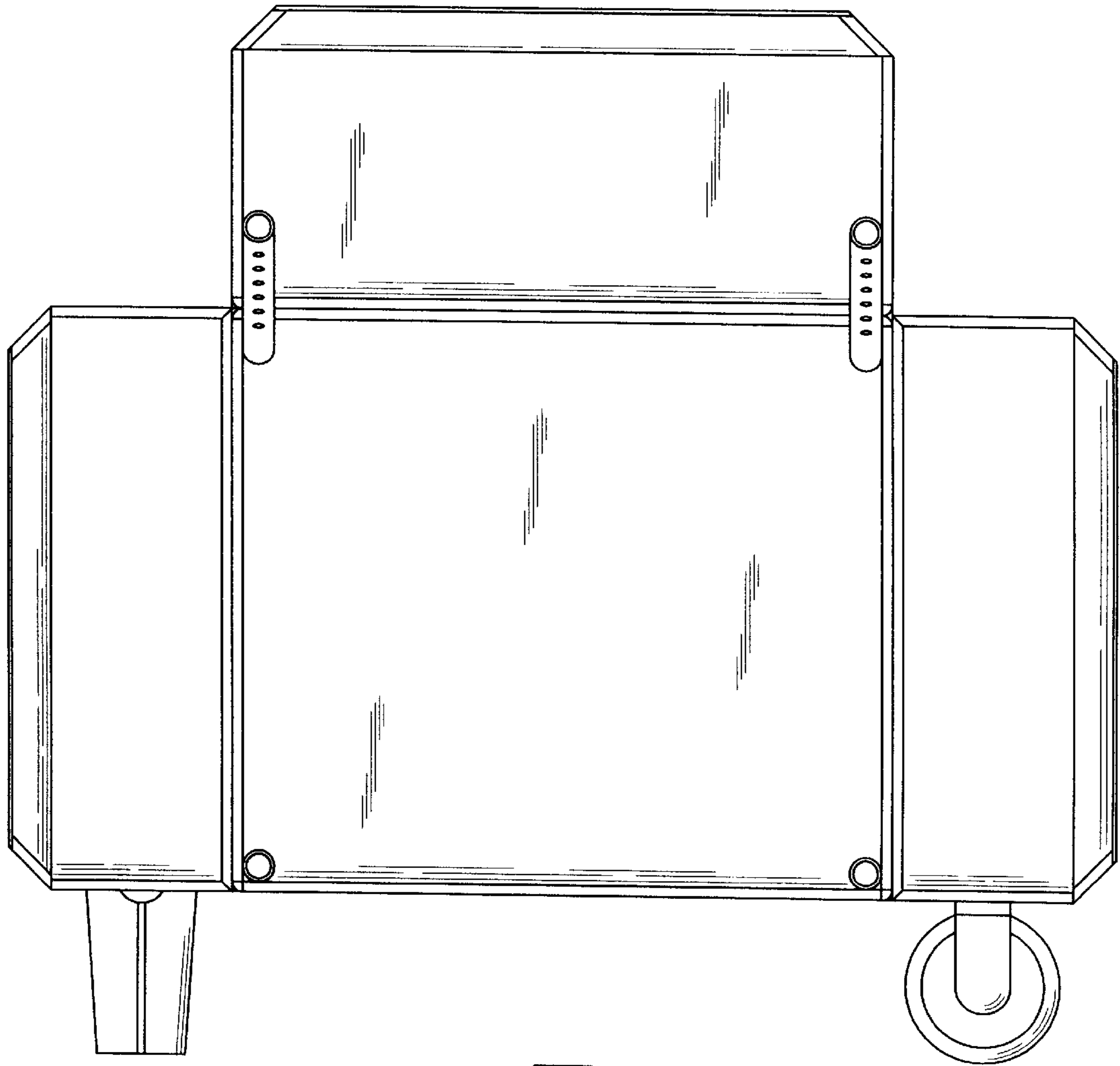


Fig. 7