



US00D411682S

United States Patent [19]

Edwards et al.

[11] Patent Number: **Des. 411,682**

[45] Date of Patent: **** Jun. 29, 1999**

[54] **PALLET**

[75] Inventors: **Peter Maxwell Edwards**, Laverton North; **Lazer Berelovich**, Elsternwick, both of Australia

[73] Assignee: **Vicfam Plastics Pty Ltd**, Laverton North, Australia

[**] Term: **14 Years**

[21] Appl. No.: **29/086,255**

[22] Filed: **Apr. 8, 1998**

[30] Foreign Application Priority Data

Oct. 9, 1997 [AU] Australia 3371/97

[51] **LOC (6) Cl.** **09-08**

[52] **U.S. Cl.** **D34/38**

[58] **Field of Search** D34/28, 38; 108/51.11, 108/53.1, 56.1, 56.3, 901, 902; 248/346.01

[56] References Cited

U.S. PATENT DOCUMENTS

D. 272,573 2/1984 DeGironemo D34/38

D. 371,882	7/1996	Kristofferson	D34/38
D. 373,889	9/1996	Weber	D34/38
D. 393,519	4/1998	Wail et al.	D34/38
3,848,546	11/1974	Lawlor	108/51.11
5,694,863	12/1997	Chen	108/51.11
5,791,261	8/1998	John et al.	108/56.3

Primary Examiner—Freda Nunn
Assistant Examiner—Cynthia E. Ramirez
Attorney, Agent, or Firm—Knobbe, Martens, Olson & Bear, LLP

[57] CLAIM

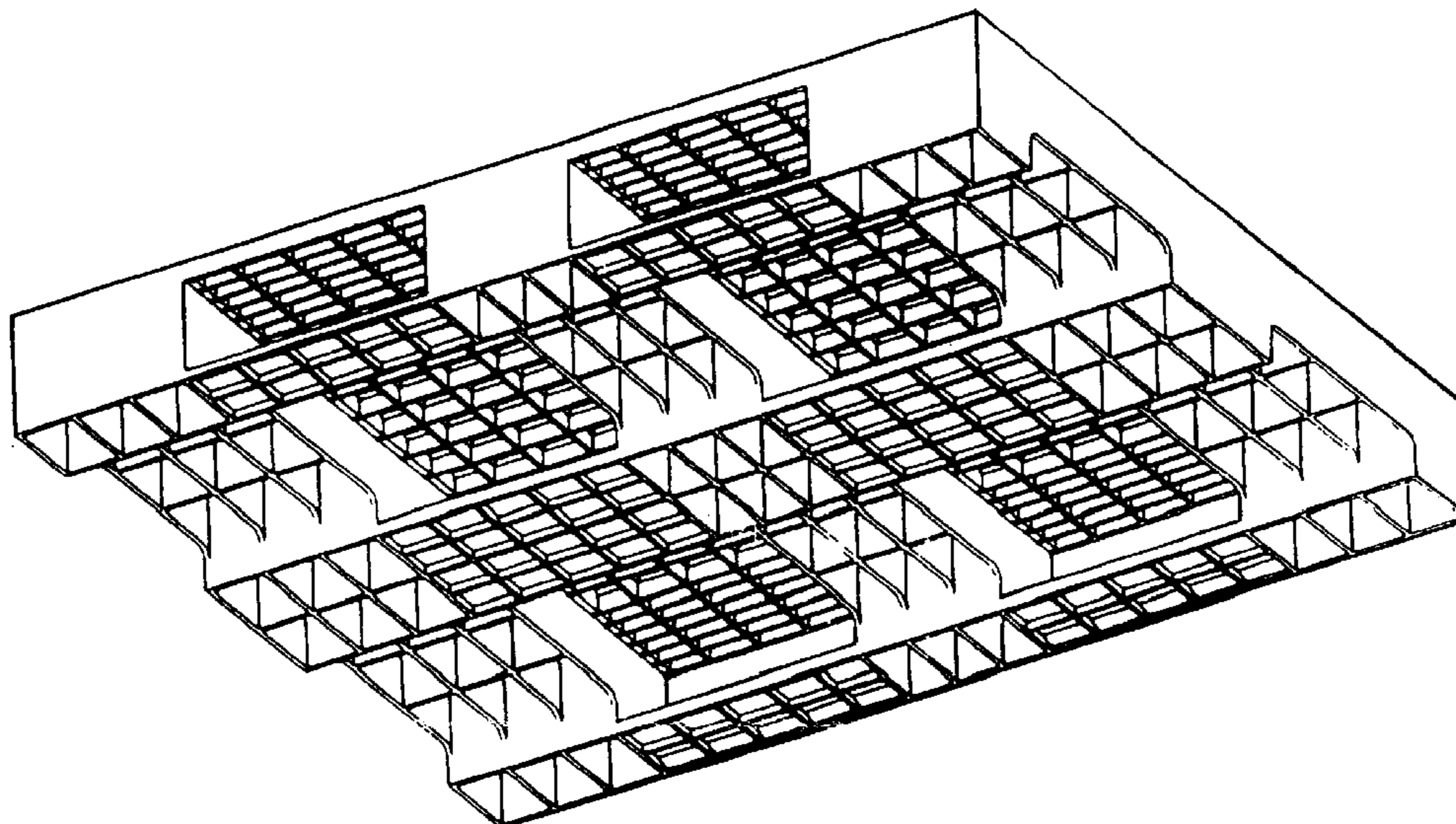
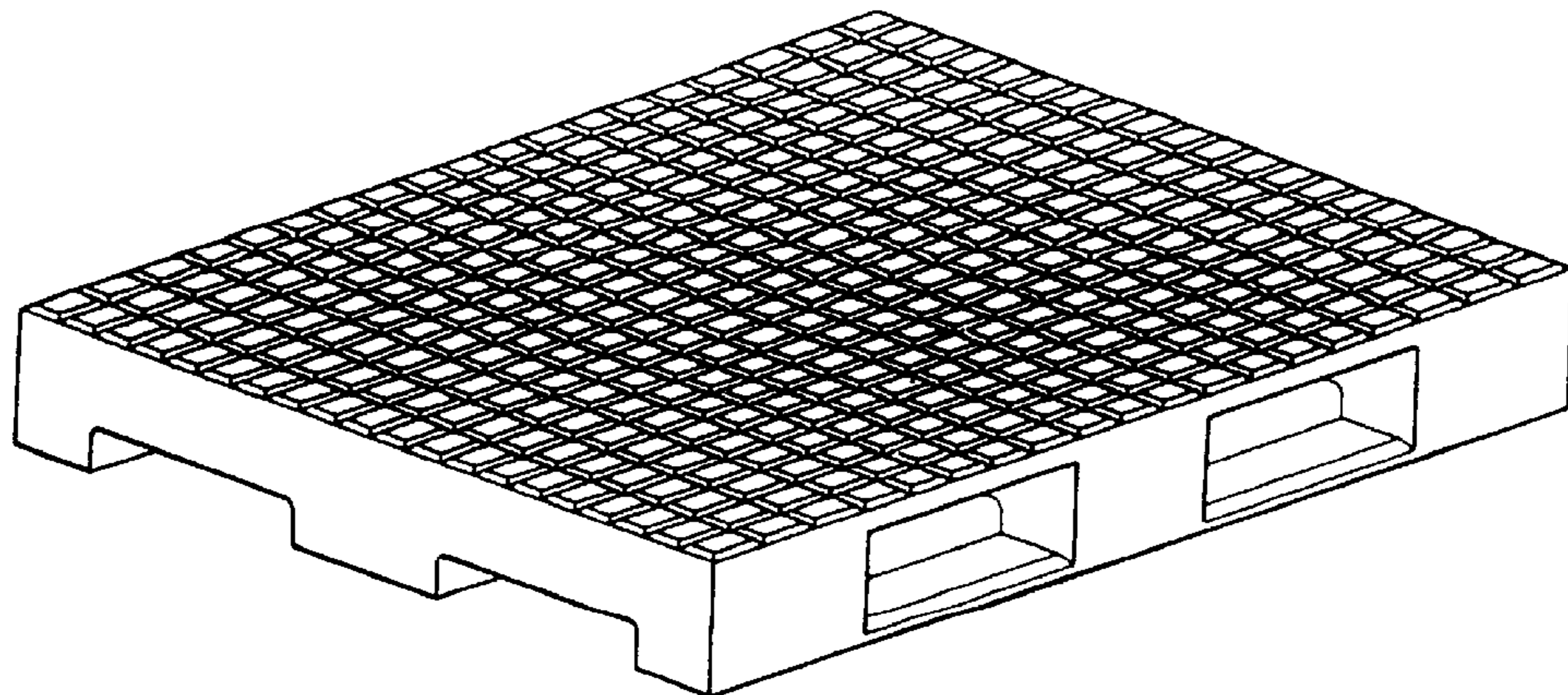
The ornamental design for a pallet, as shown and described.

DESCRIPTION

FIG. 1 is a top perspective view showing two sides of the pallet, the other two sides are symmetric to the two sides shown in FIG. 1;

FIG. 2 is a bottom perspective view of the pallet; and, FIG. 3 is another bottom perspective view of the pallet viewed from another angle.

1 Claim, 2 Drawing Sheets



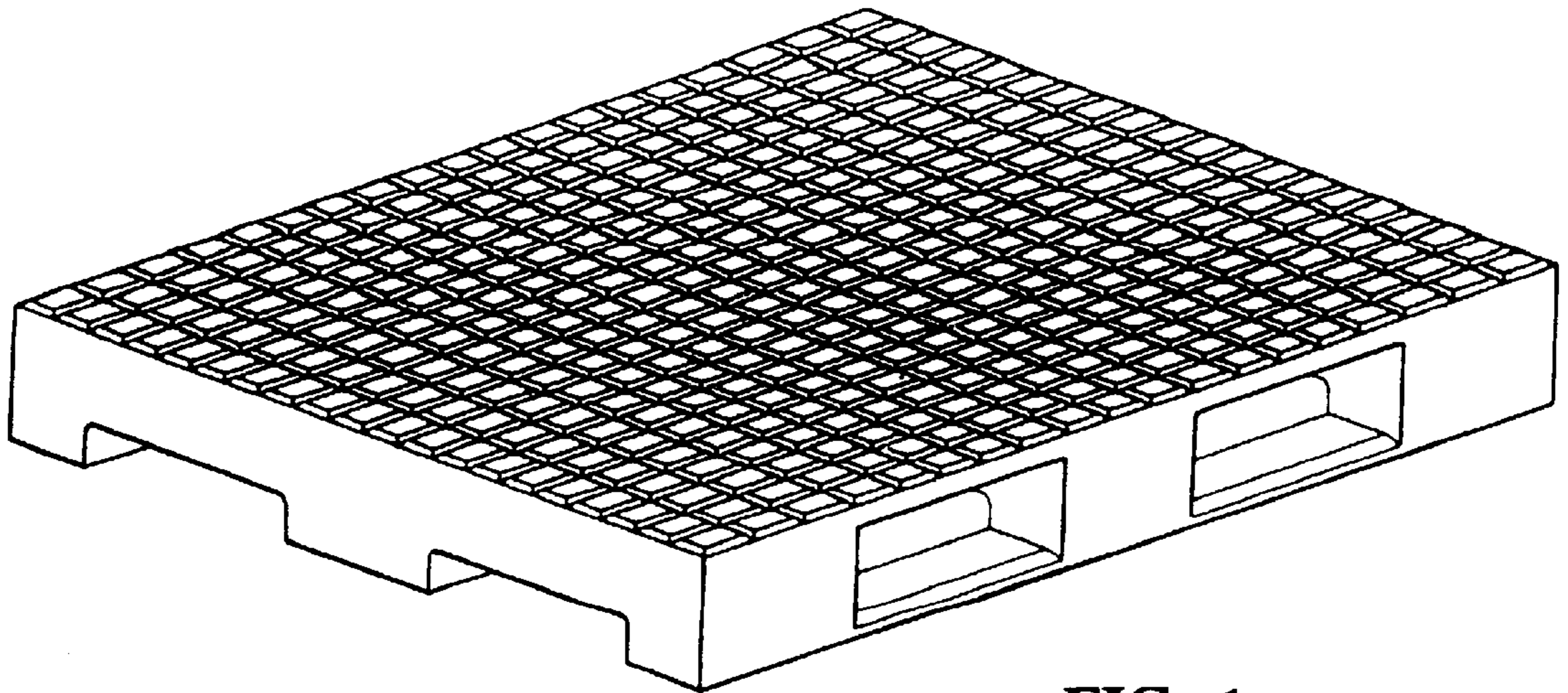


FIG. 1

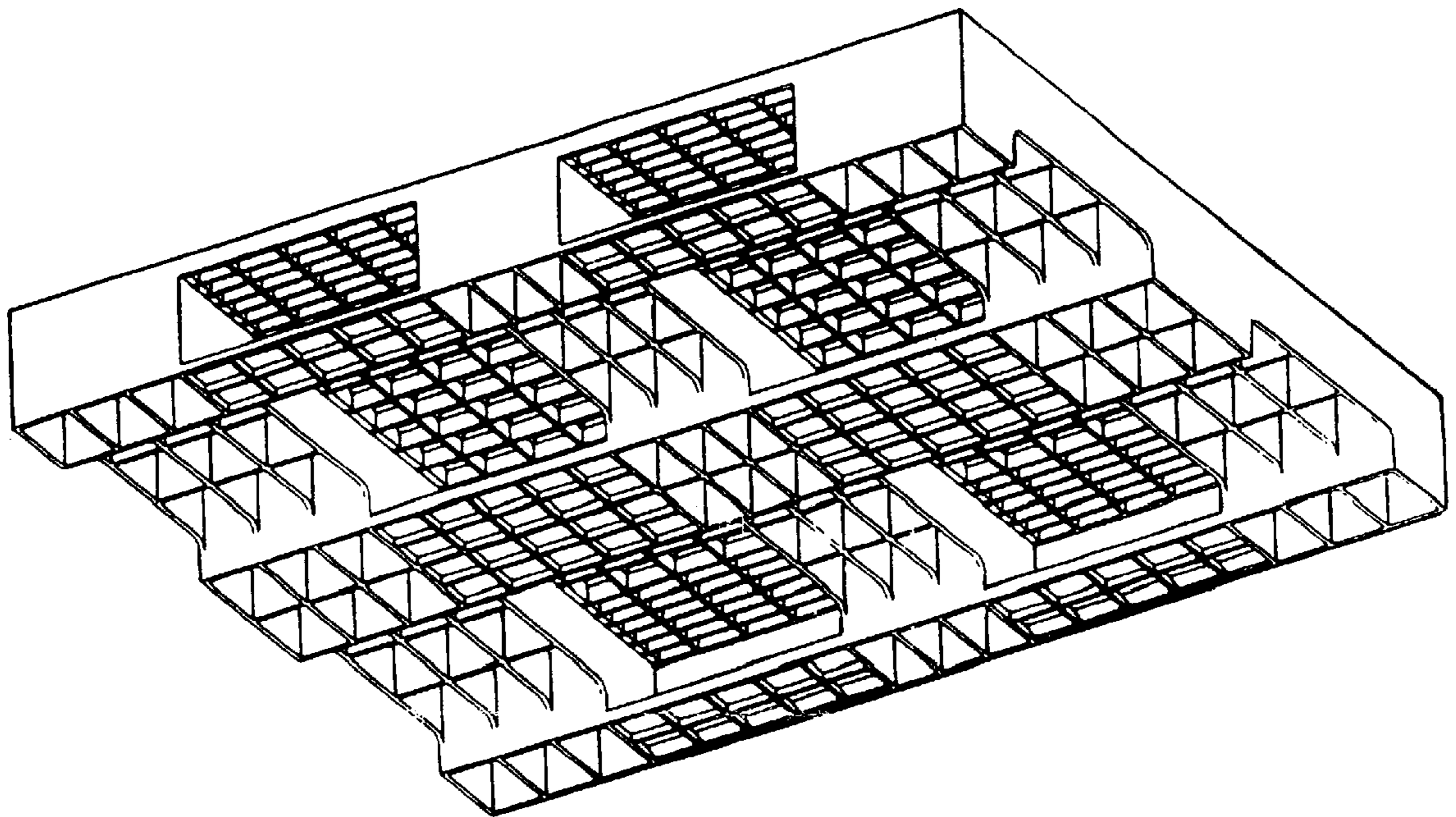


FIG. 2

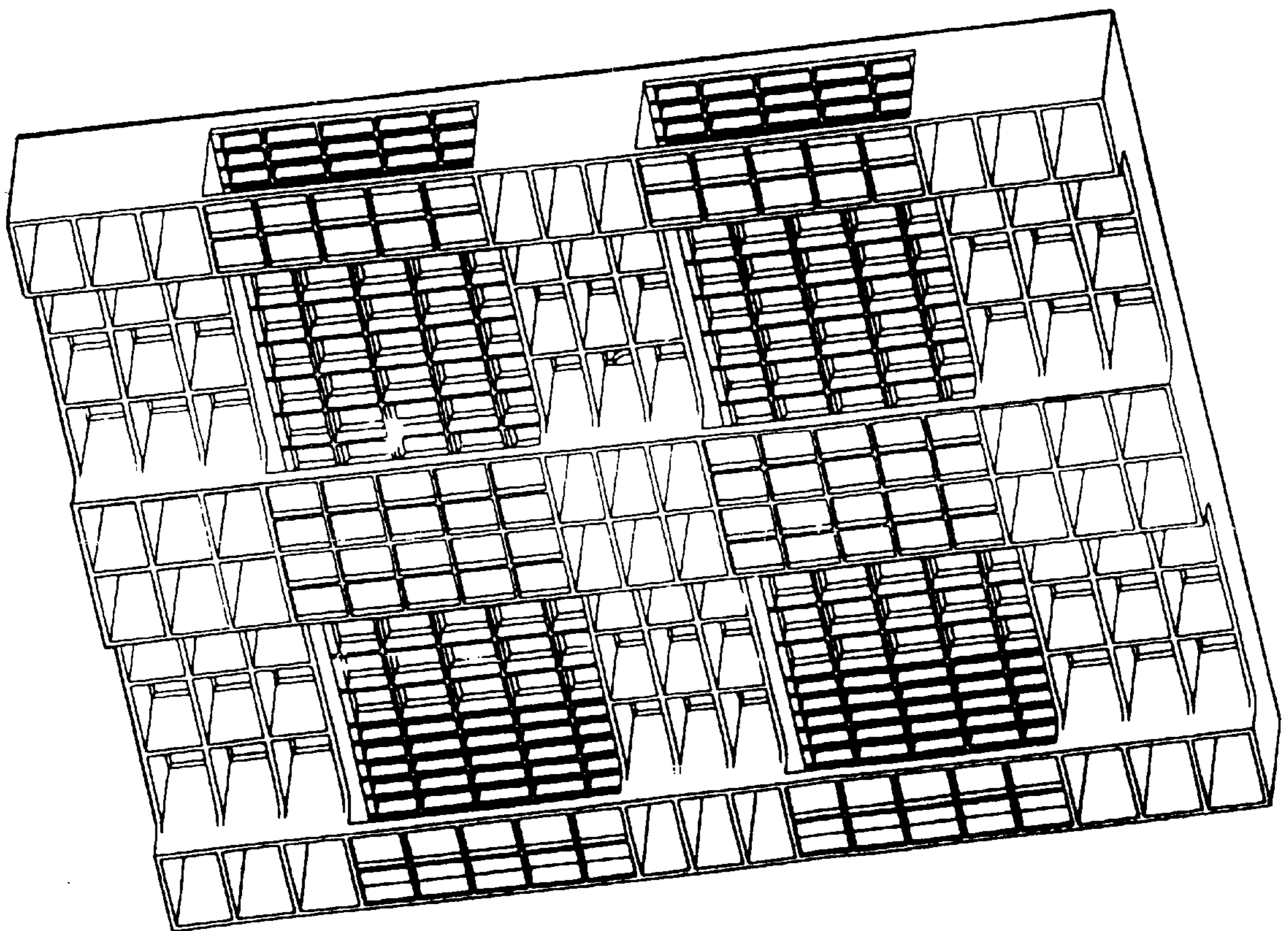


FIG. 3