



US00D411679S

United States Patent [19]

[11] Patent Number: **Des. 411,679**

Hsieh et al.

[45] Date of Patent: **** Jun. 29, 1999**

[54] **HANDCART**

5,468,005 11/1995 Yang 280/40

[76] Inventors: **Hung-Hsin Hsieh**, 15F1, No.83, Sec.1, Chung-Hsiao East Rd, Taipei;
Hung-Ching Hsieh, No.15, Lane 493, Sec.2, Yuan-Chi Rd, Yuan-Lin, Chang-Hua Hsien, both of Taiwan

Primary Examiner—Kay H. Chin
Attorney, Agent, or Firm—Erik M. Arnhem

[**] Term: **14 Years**

[57] **CLAIM**

The ornamental design for “a handcart,” as shown and described.

[21] Appl. No.: **29/079,489**

DESCRIPTION

[22] Filed: **Nov. 17, 1997**

FIG. 1 is a perspective view of a handcart showing my design;

[51] **LOC (6) Cl.** **12-02**

FIG. 2 is a front elevational view thereof;

[52] **U.S. Cl.** **D34/24; D34/26**

FIG. 3 is a rear elevational view thereof;

[58] **Field of Search** D34/12-27; 280/40, 280/655, 651, 652, 655.1, 47.24, 47.27, 47.29

FIG. 4 is a left side elevational view thereof;

FIG. 5 is a right side elevational view thereof;

FIG. 6 is a top plan view thereof; and,

FIG. 7 is a bottom plan view thereof; and,

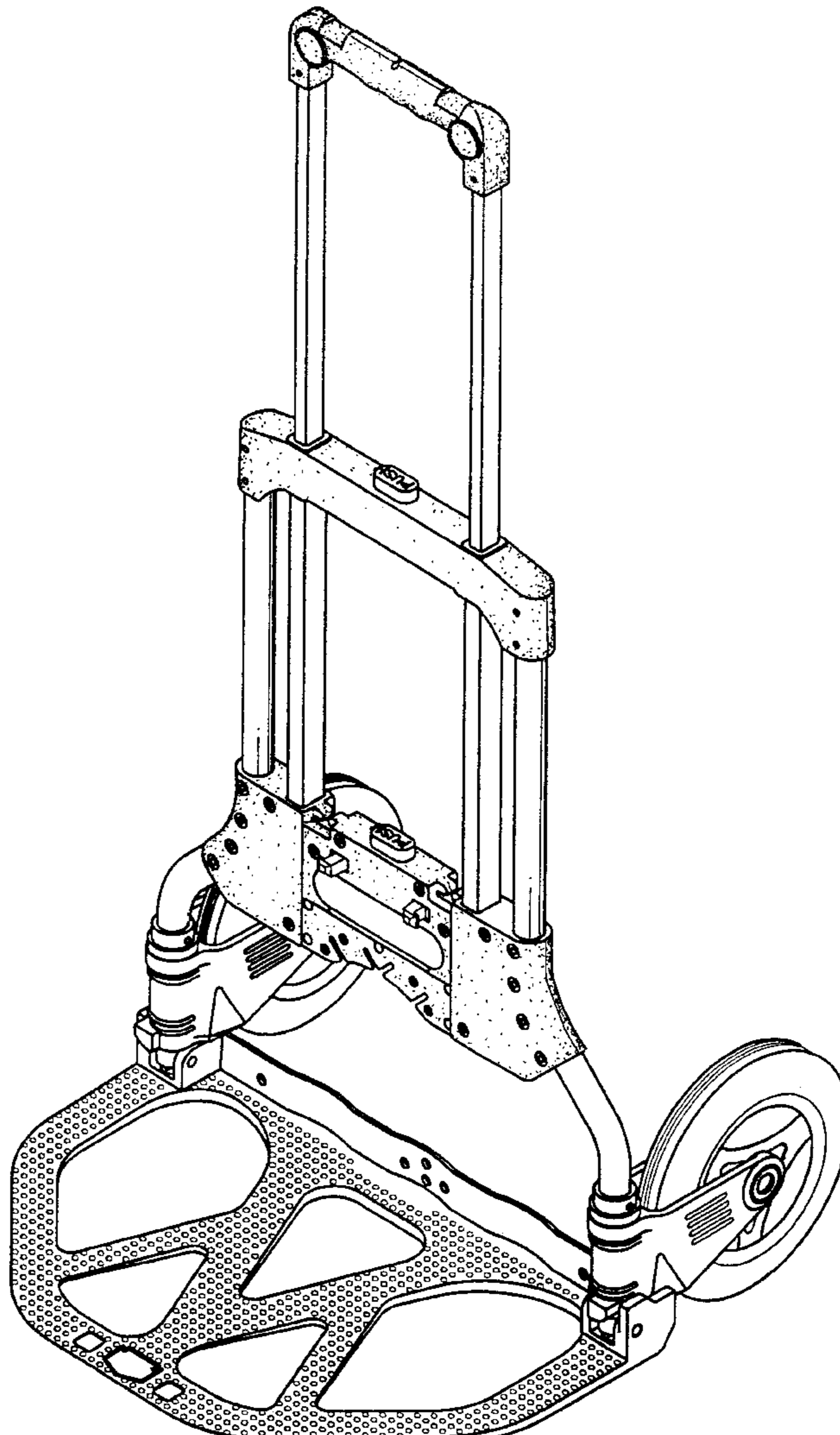
FIG. 8 is a perspective view of handcart in a contractive and folded state according to the present design.

[56] **References Cited**

U.S. PATENT DOCUMENTS

D. 328,661 8/1992 Vom Braucke et al. D34/26

1 Claim, 8 Drawing Sheets



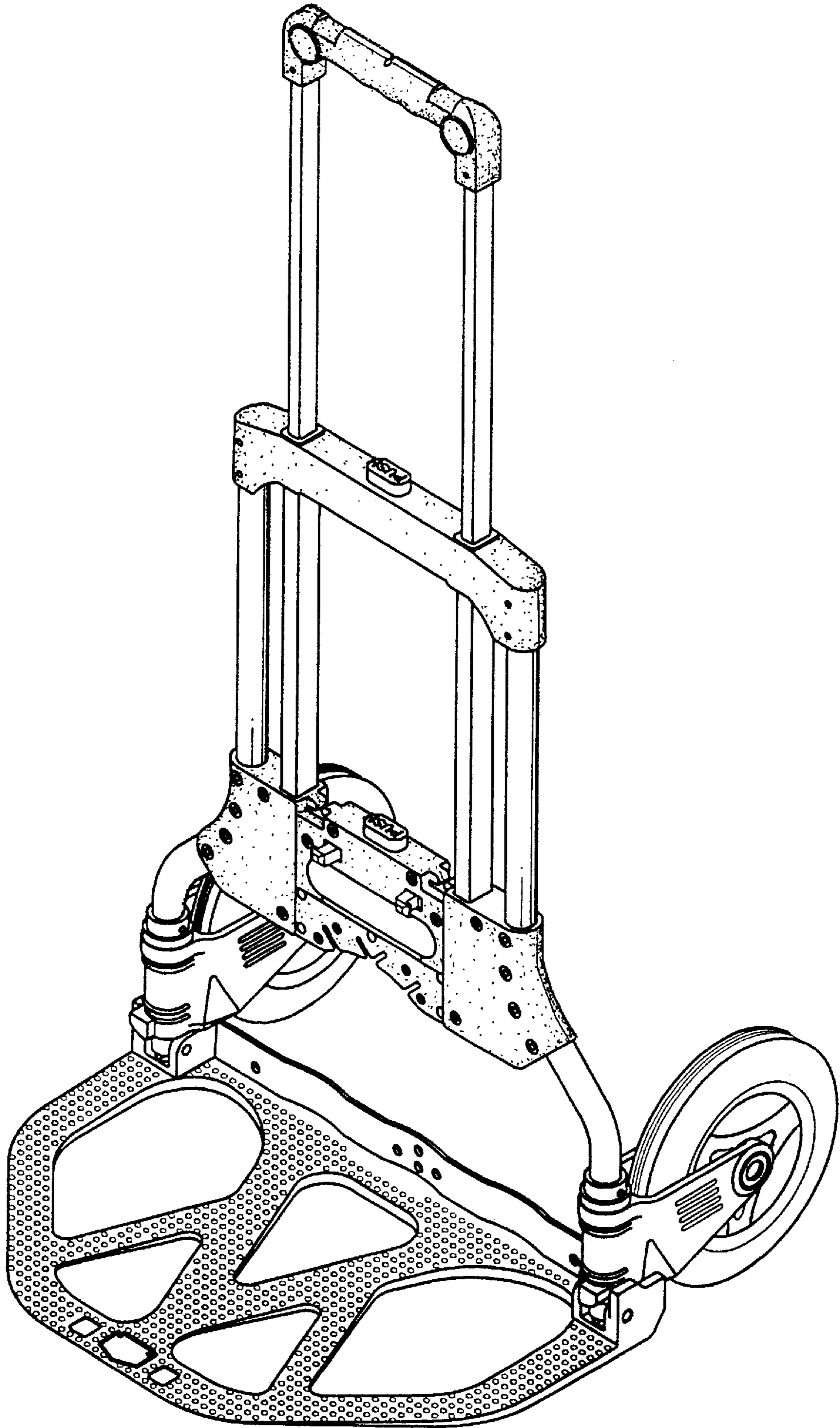


FIG. 1

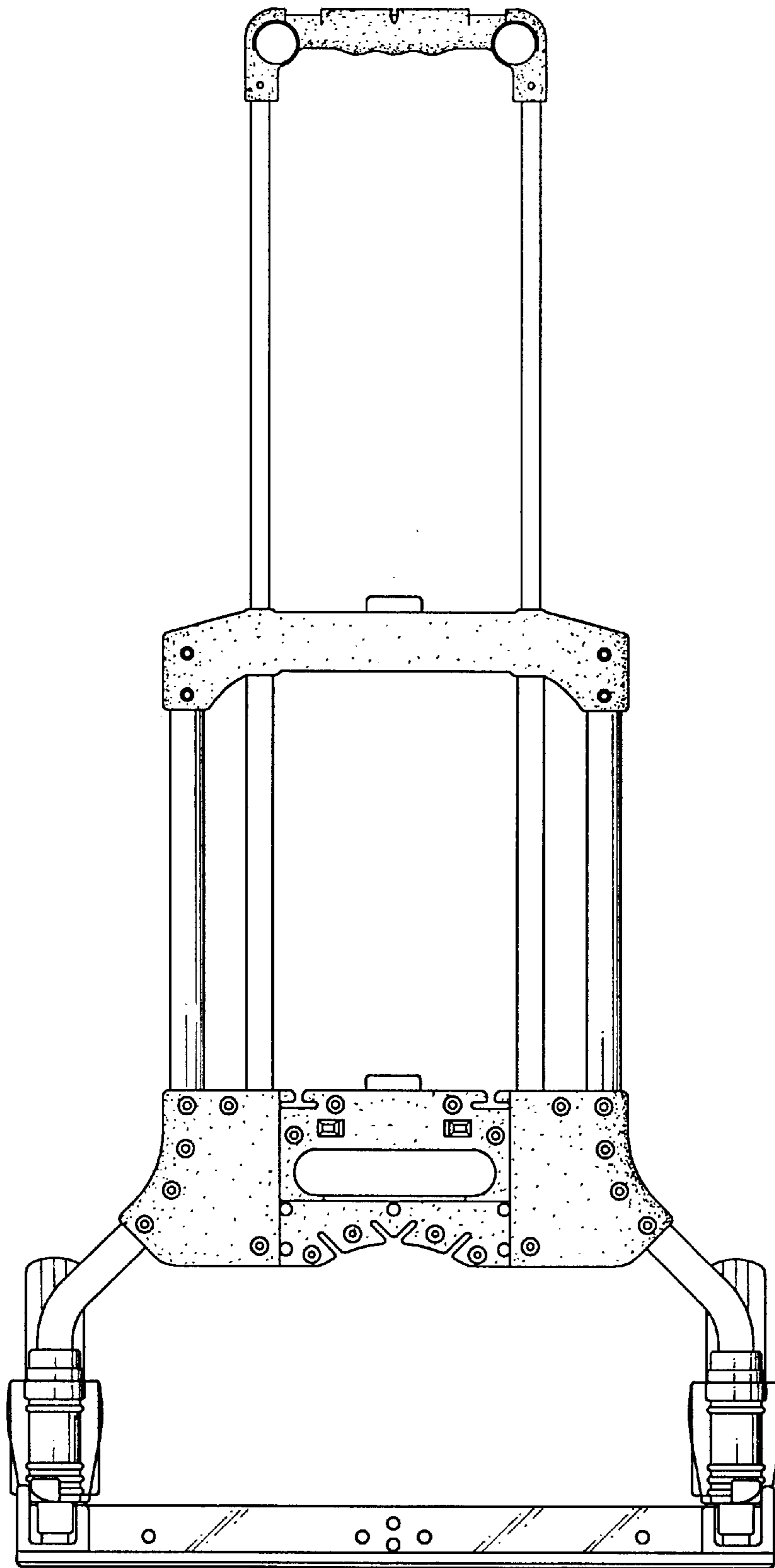


FIG 2

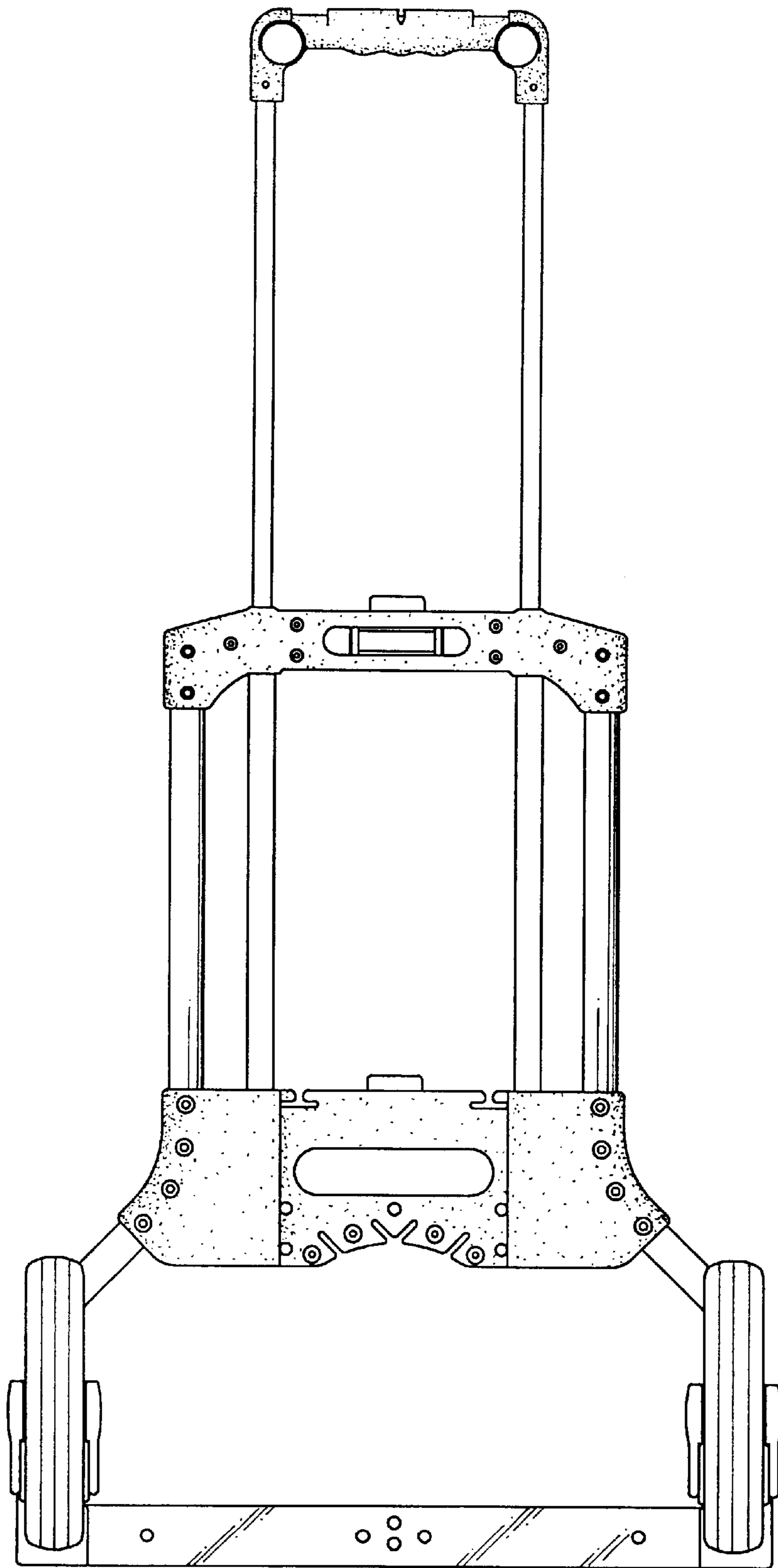


FIG. 3

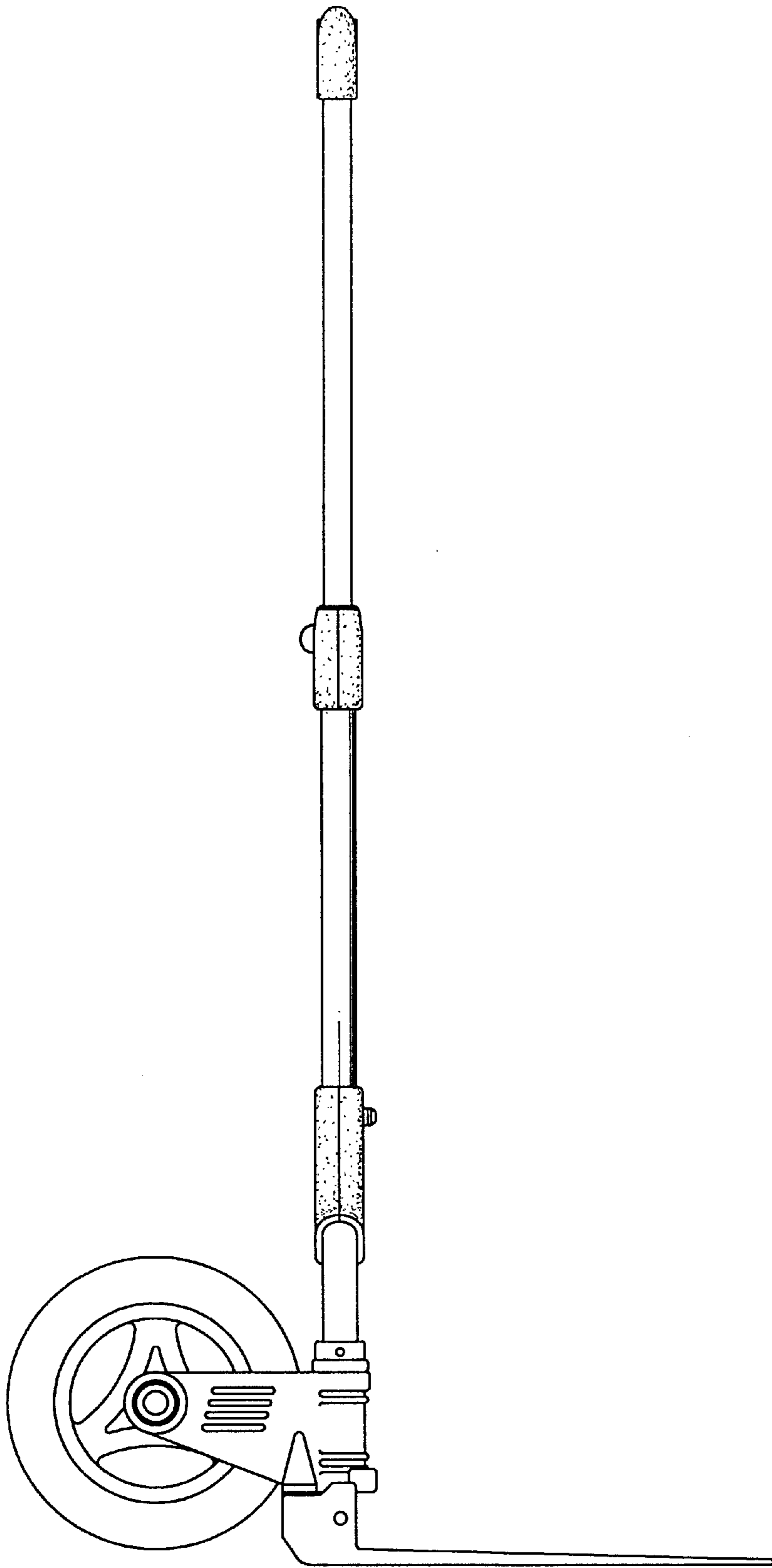


FIG. 4

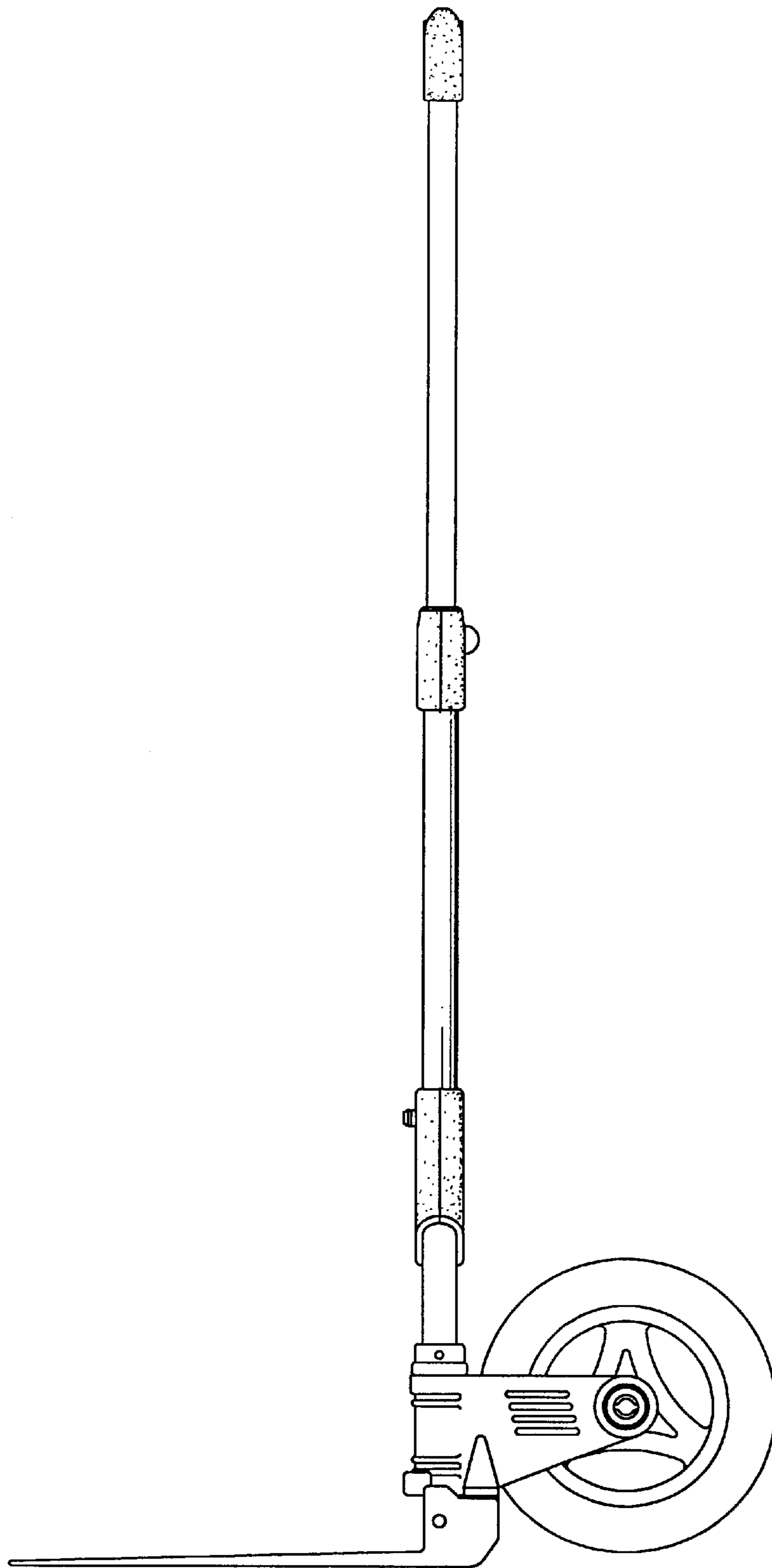


FIG5

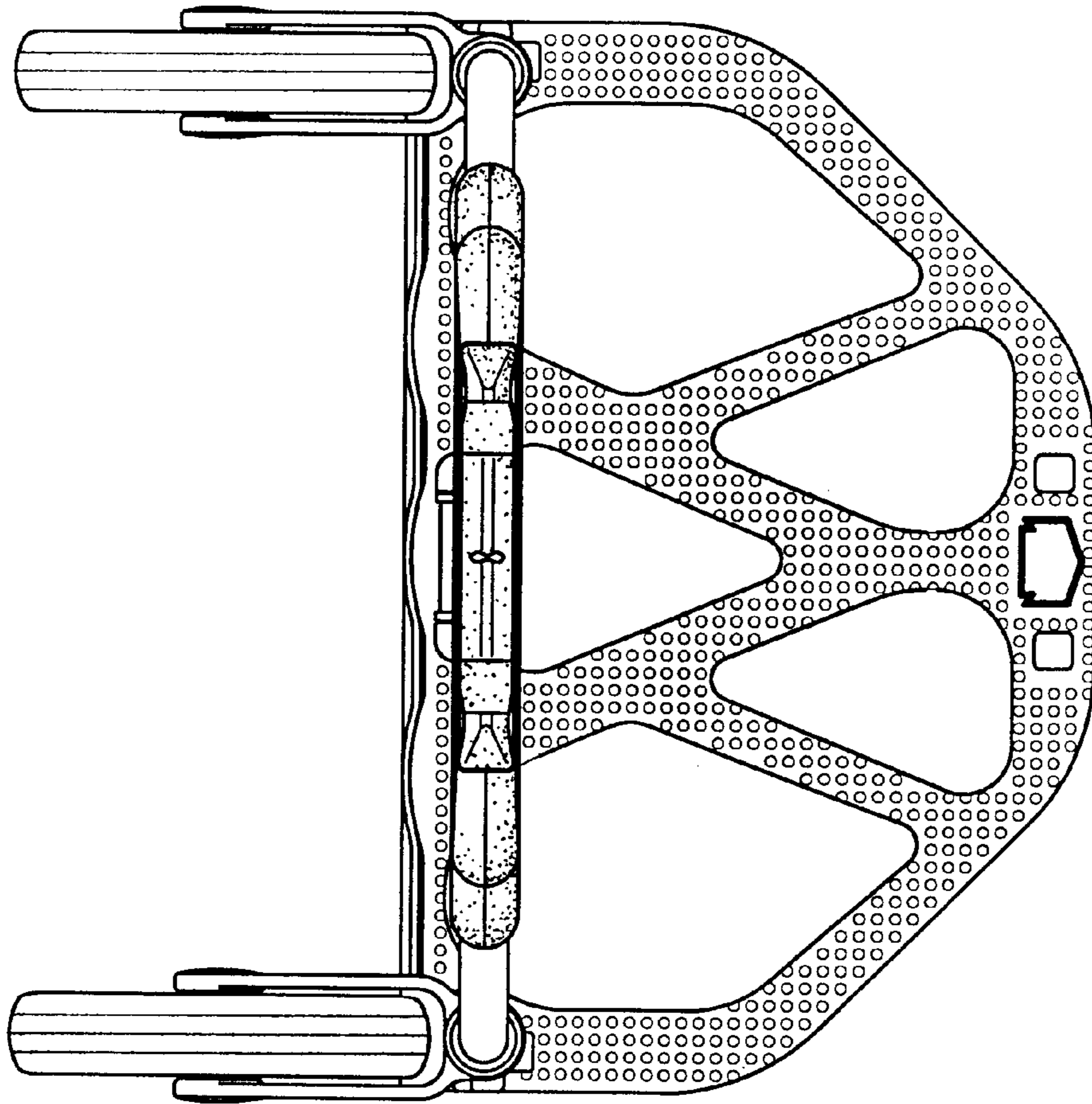


FIG. 6

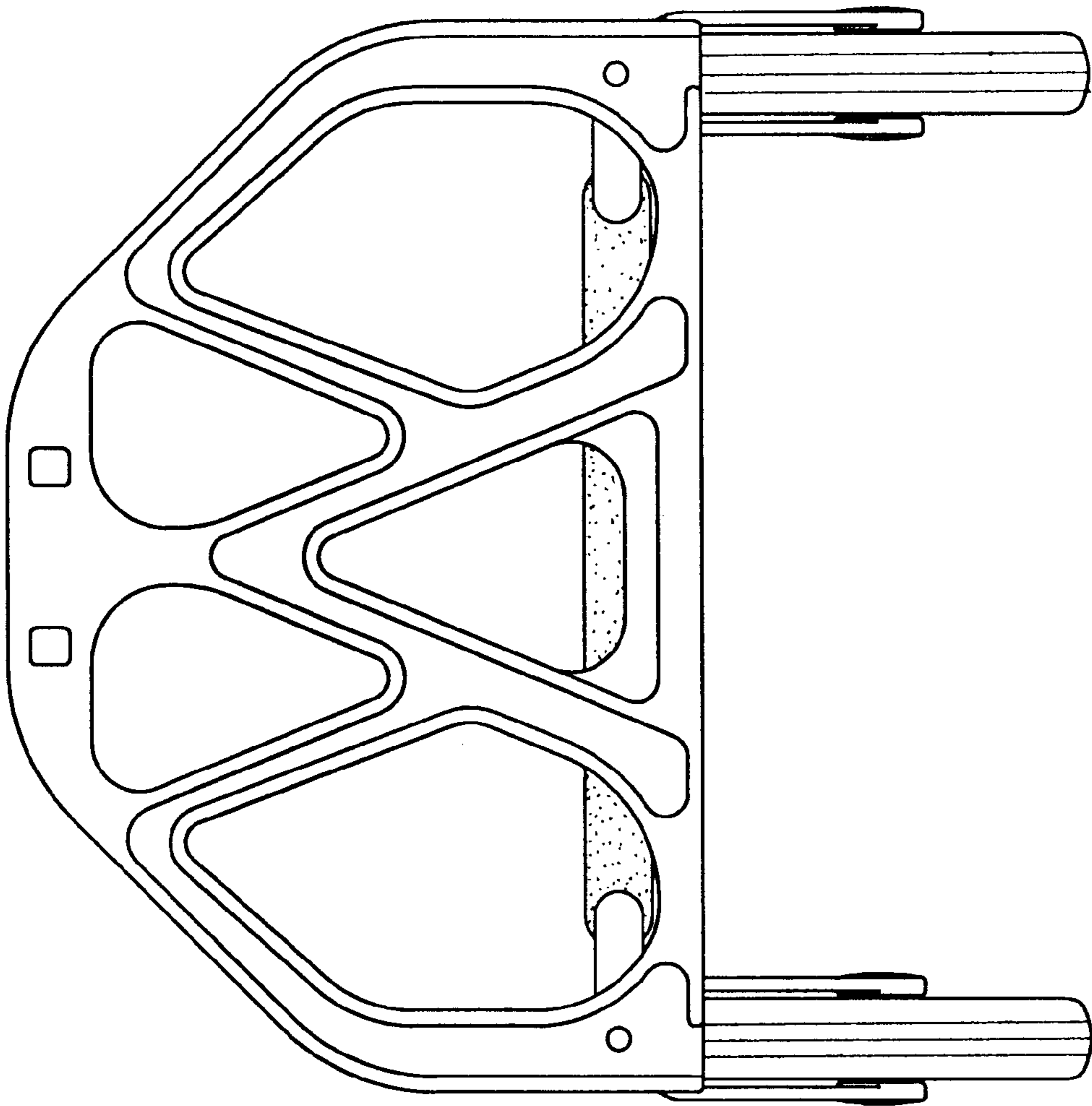


FIG. 7

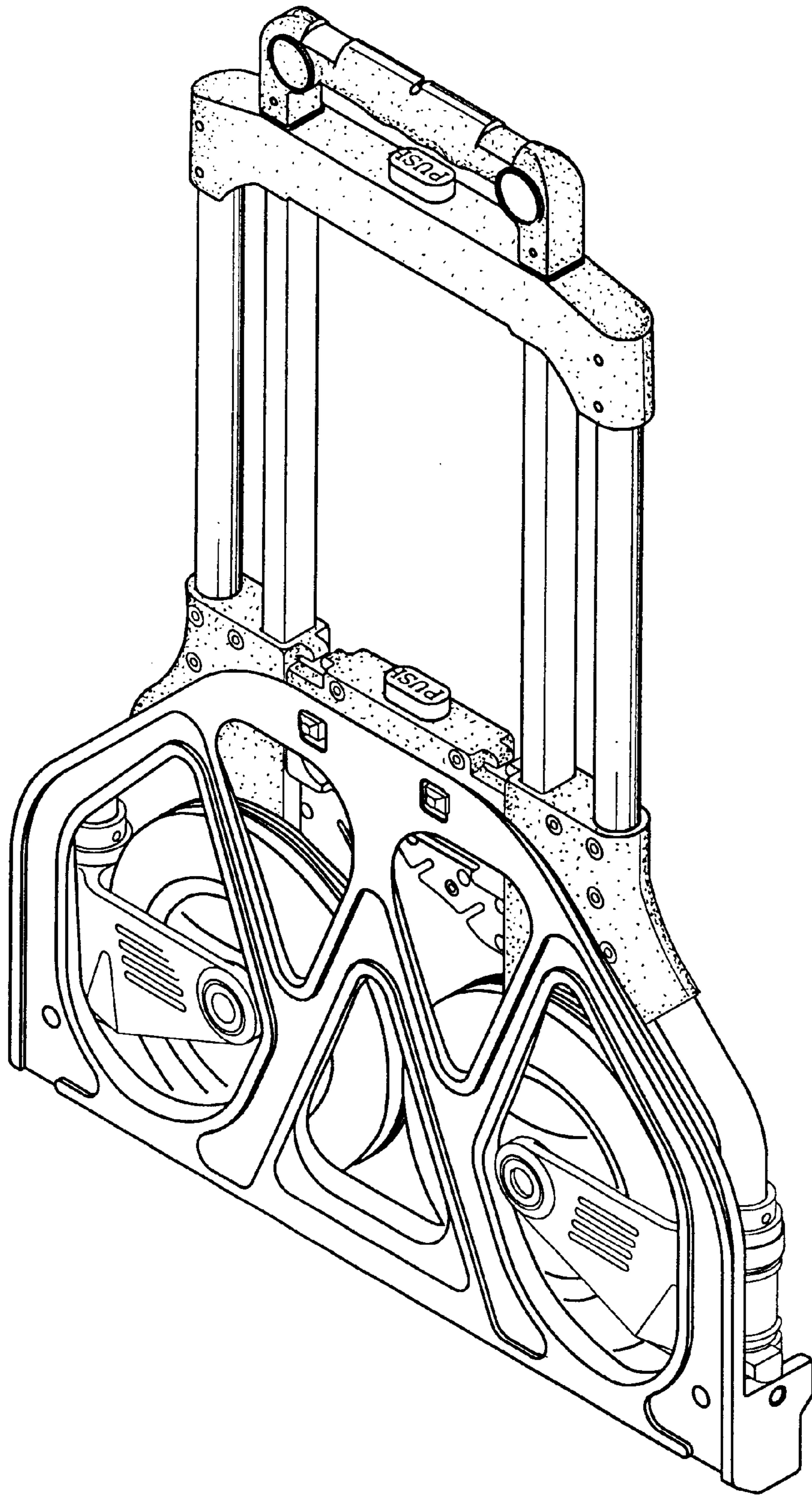


FIG. 8