



US00D411678S

United States Patent [19] Di Paolo

[11] **Patent Number: Des. 411,678**

[45] **Date of Patent: ** Jun. 29, 1999**

[54] **TROLLEY**

[75] Inventor: **Aldo Di Paolo**, Rome, Italy

[73] Assignee: **G. M. P. Poliuretani S. P. A.**, Oderzo, Italy

[**] Term: **14 Years**

[21] Appl. No.: **29/093,492**

[22] Filed: **Sep. 11, 1998**

[51] **LOC (6) Cl.** **12-02**

[52] **U.S. Cl.** **D34/21; D34/20**

[58] **Field of Search** D34/12-27; 280/79.11, 280/79.2, 47.35; 211/126, 133, 177; 312/249.12, 264; D6/445, 446, 448

[56] **References Cited**

U.S. PATENT DOCUMENTS

- D. 341,914 11/1993 Reiner D34/21
- D. 344,382 2/1994 Conaway et al. D34/21

- D. 349,594 8/1994 Bonazza D34/20
- D. 361,910 9/1995 Maple et al. D6/445
- 5,011,240 4/1991 Kelley et al. 312/250
- 5,695,205 12/1997 Liu 280/79.2

Primary Examiner—Kay H. Chin
Attorney, Agent, or Firm—Harrison & Egbert

[57] **CLAIM**

I claim the ornamental design for a trolley, as shown and described.

DESCRIPTION

FIG. 1 is a frontal perspective view of a trolley showing my design.
FIG. 2 is a side view thereof;
FIG. 3 is a top view thereof;
FIG. 4 is a bottom view thereof;
FIG. 5 is an opposite side view thereof;
FIG. 6 is a front view thereof; and,
FIG. 7 is a back view thereof;

1 Claim, 3 Drawing Sheets

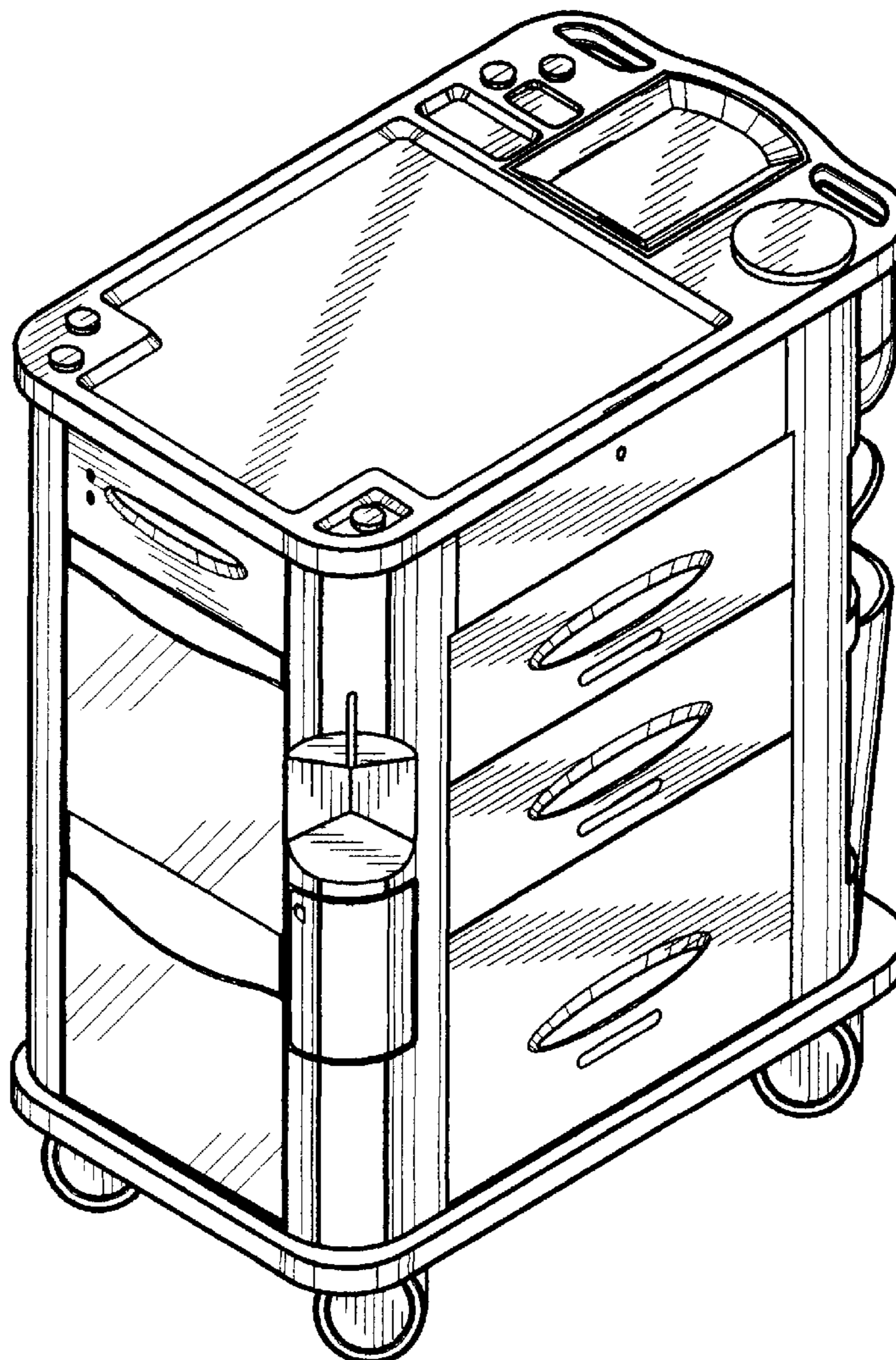


FIG. 1

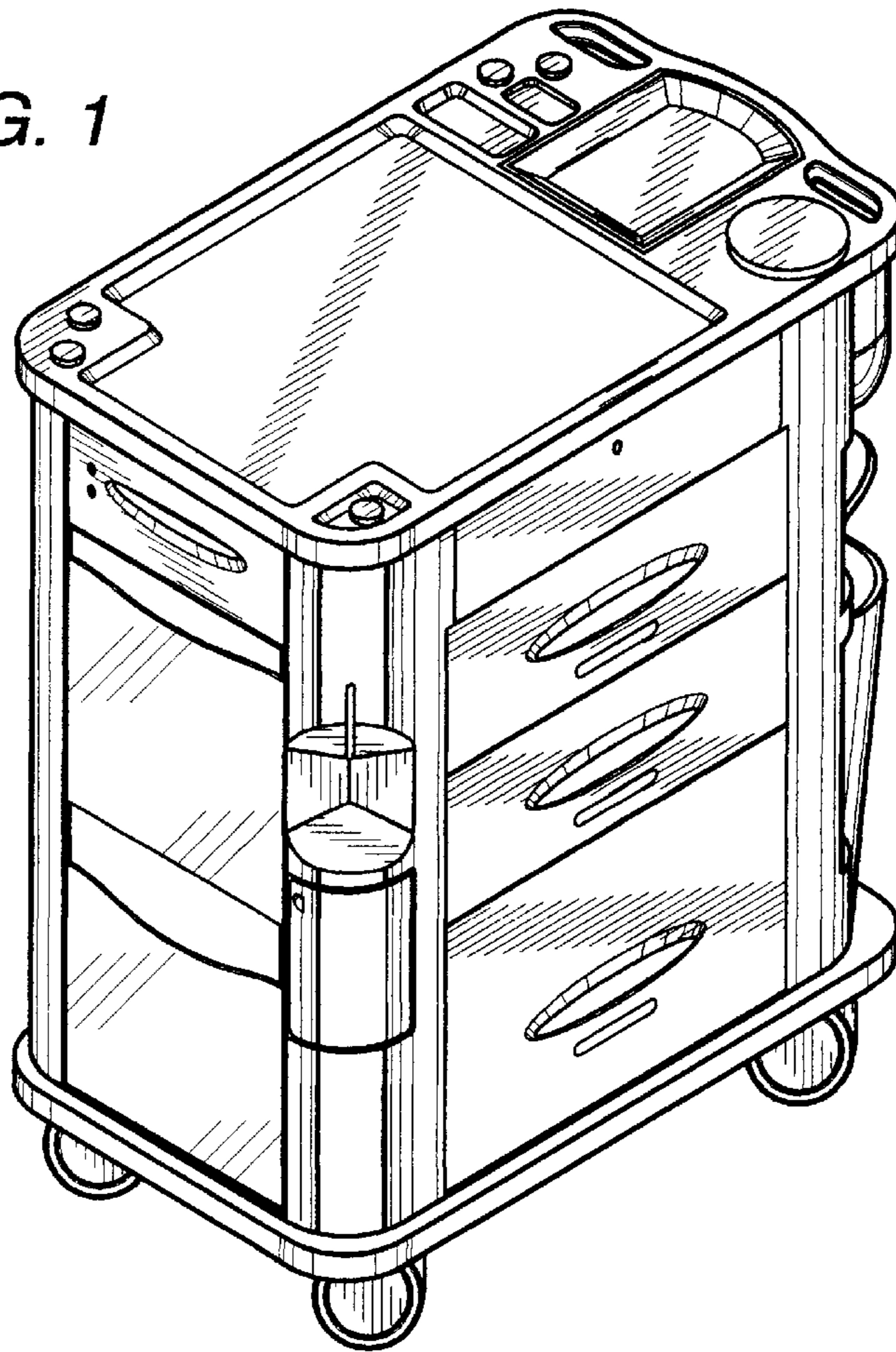


FIG. 2

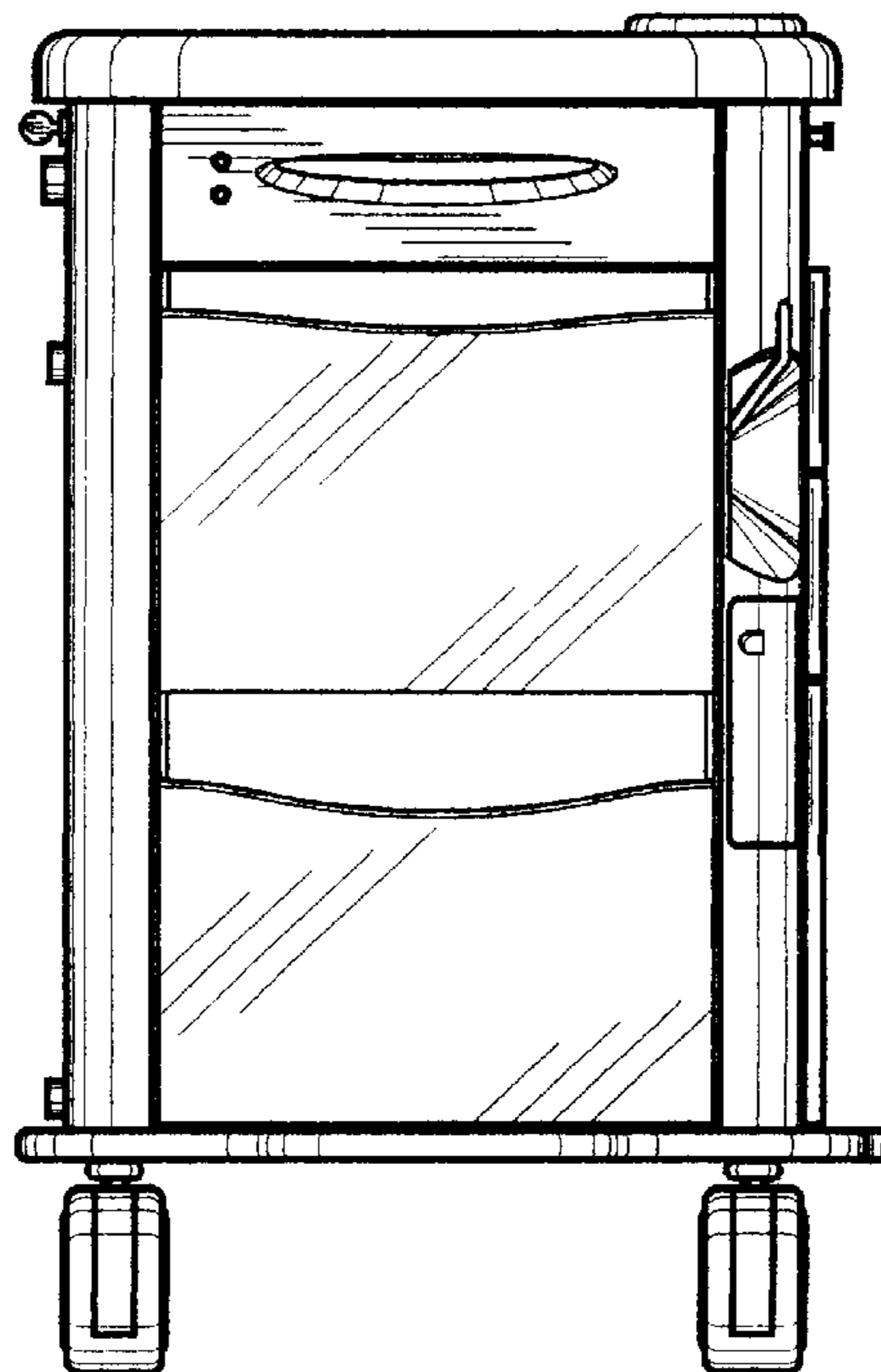


FIG. 3

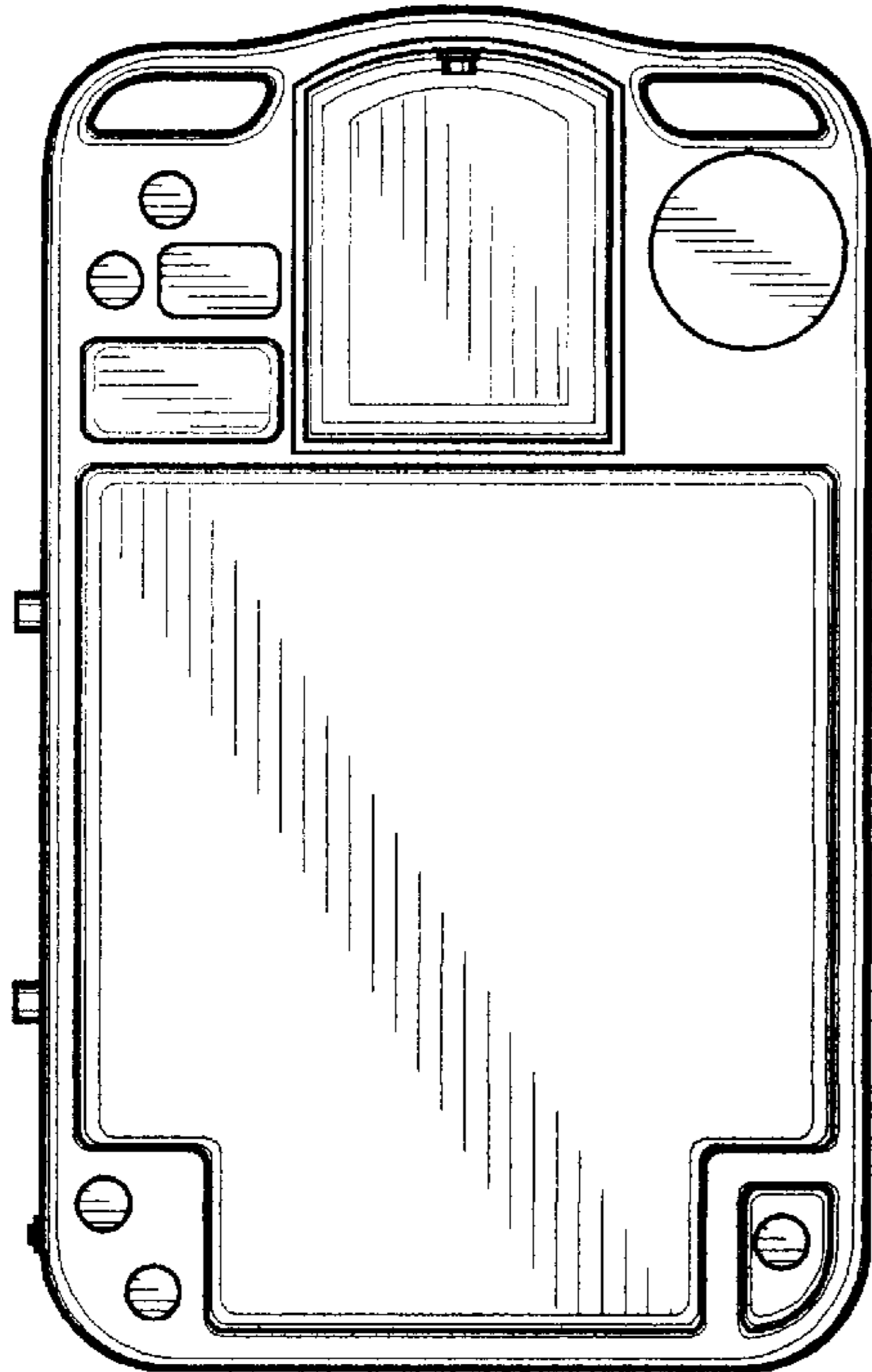


FIG. 4

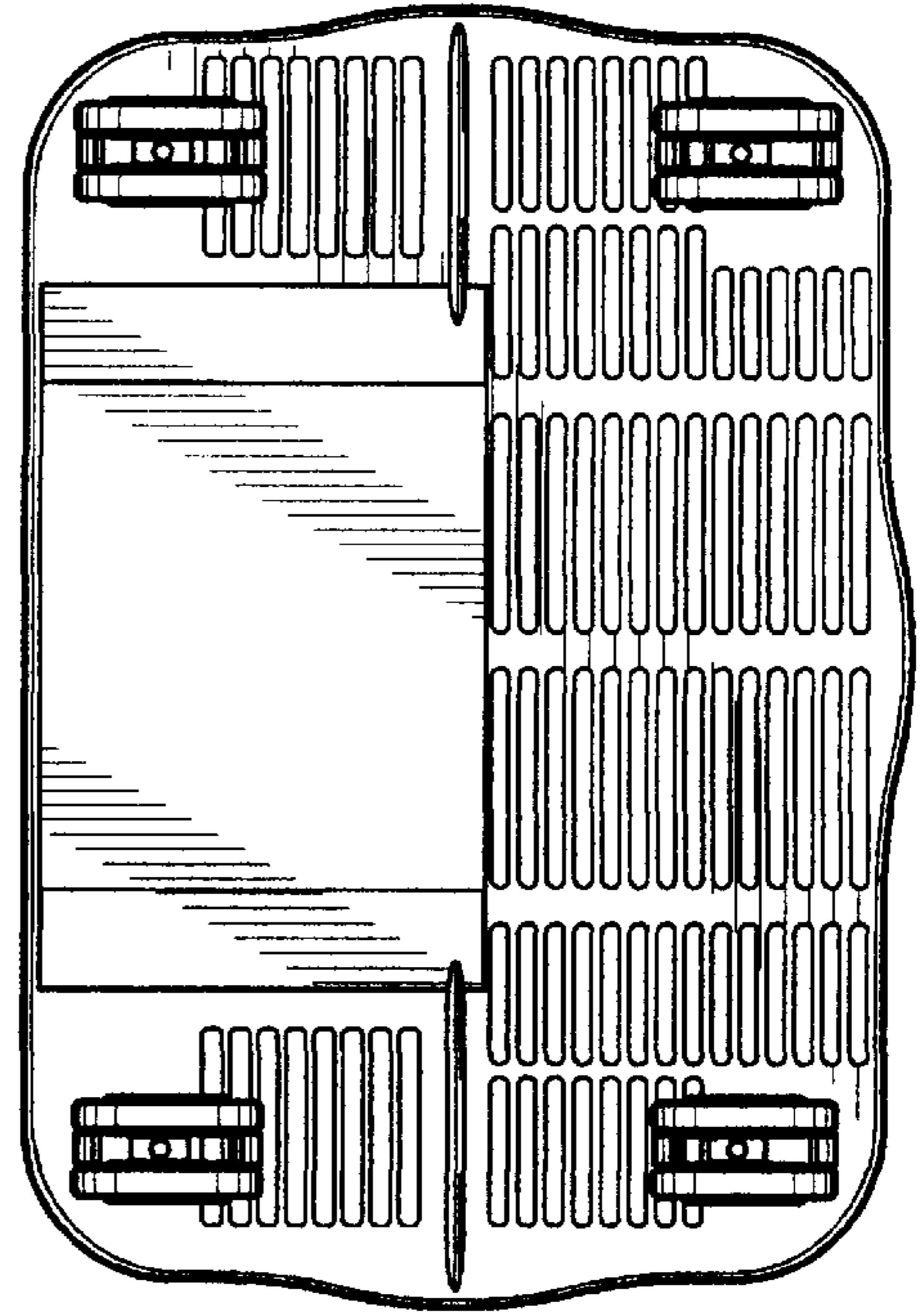


FIG. 5

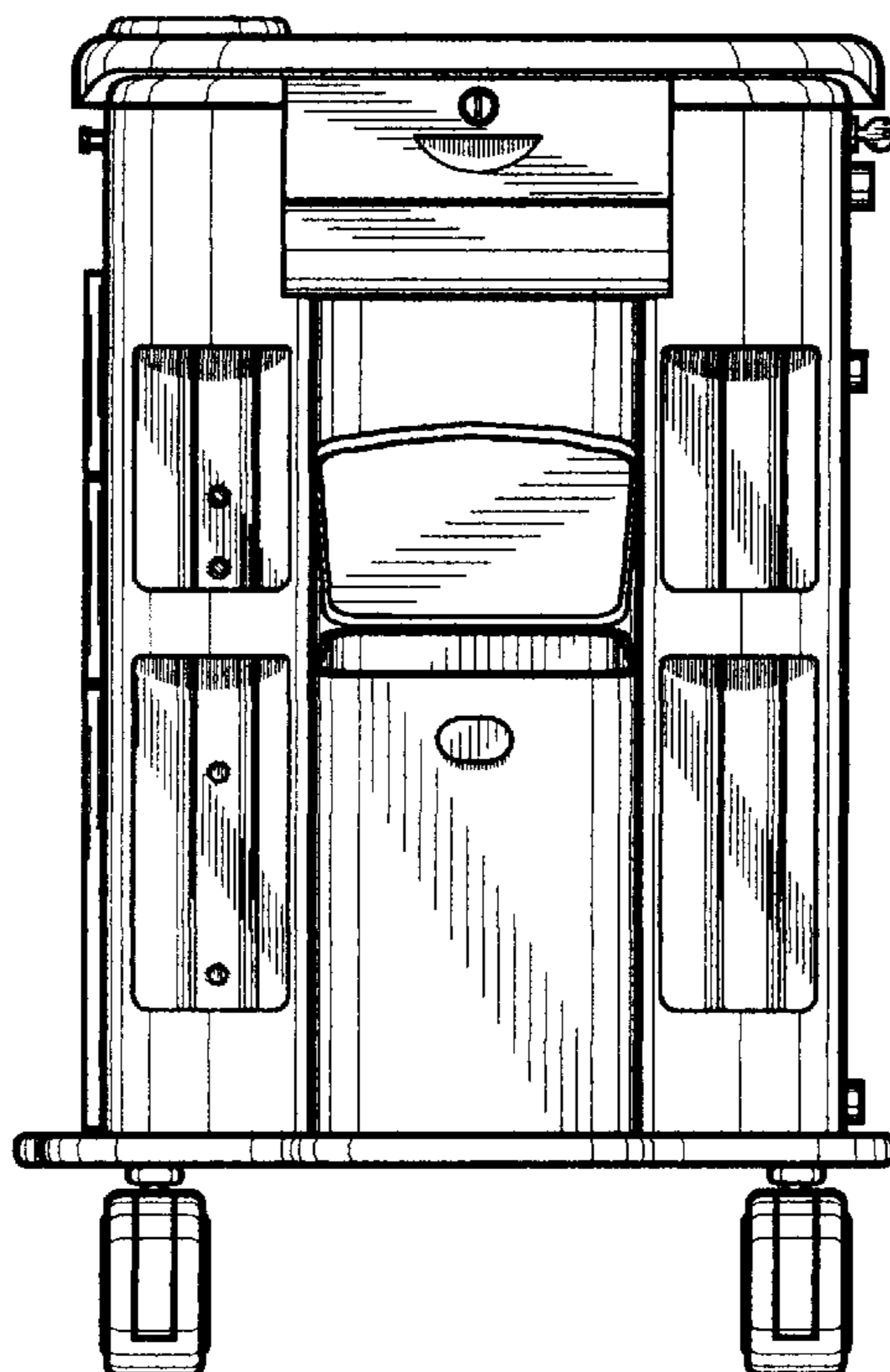


FIG. 6

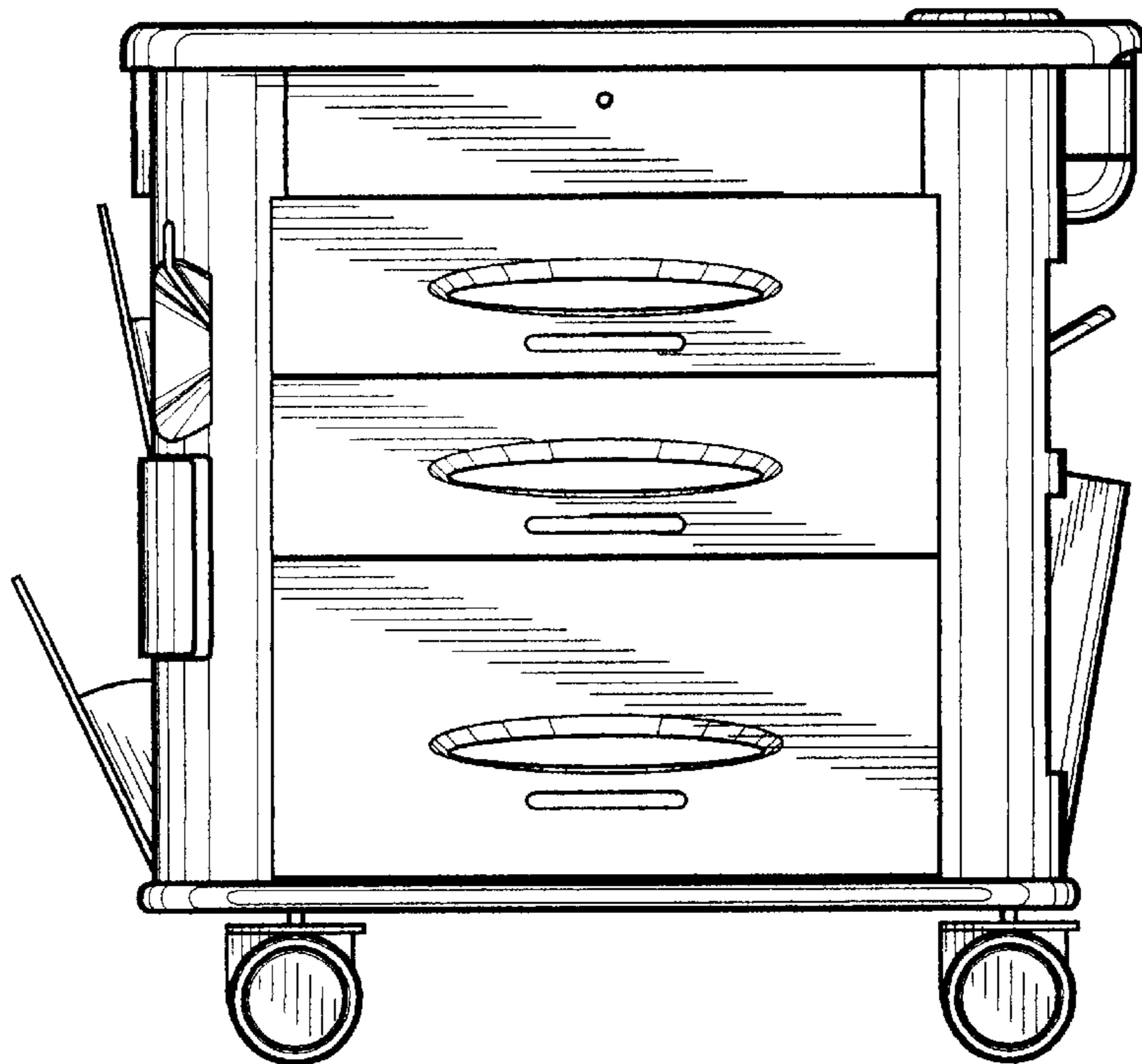


FIG. 7

