



US00D411677S

United States Patent [19]
Kenamer

[11] **Patent Number: Des. 411,677**
[45] **Date of Patent: ** Jun. 29, 1999**

[54] **TRASH CAN TABLEWARE RETRIEVER**

[75] Inventor: **Jack J. Kenamer**, Maineville, Ohio

[73] Assignee: **Katchall Industries International, Inc.**, Cincinnati, Ohio

[**] Term: **14 Years**

[21] Appl. No.: **29/088,628**

[22] Filed: **May 28, 1998**

[51] **LOC (6) Cl.** **09-09**

[52] **U.S. Cl.** **D34/10; D34/11**

[58] **Field of Search** D34/10, 7, 11,
D34/1-5; 220/908, 909, 254; 209/676,
219, 215, 223.1

[56] **References Cited**

U.S. PATENT DOCUMENTS

D. 126,632	4/1941	Perkins .	
D. 319,128	8/1991	Delmerico et al. .	
D. 323,227	1/1992	Rapaz	D34/10
D. 331,133	11/1992	Edwards .	
D. 337,190	7/1993	Juergens	D34/11
1,138,889	5/1915	Rand .	
1,930,108	10/1933	Reeder .	
2,698,450	1/1955	Mack .	
2,869,795	1/1959	Higer .	
4,163,503	8/1979	McKinnon	220/254 X
4,203,537	5/1980	McAlister .	

4,279,744	7/1981	Antonwitsch .	
4,367,138	1/1983	Kustas .	
4,494,657	1/1985	Oldenkamp .	
4,632,253	12/1986	Stromgren et al. .	
4,706,818	11/1987	Zutell et al. .	
4,754,882	7/1988	Petitpierre .	
4,759,478	7/1988	Richardson et al.	220/254
4,782,970	11/1988	Edwards .	
4,801,035	1/1989	Sugiyama et al.	220/254
4,892,224	1/1990	Graham .	
5,573,132	11/1996	Kanfer et al.	220/254 X

Primary Examiner—Susan J. Lucas
Assistant Examiner—Cynthia E Ramirez
Attorney, Agent, or Firm—Wood, Herron & Evans, L.L.P.

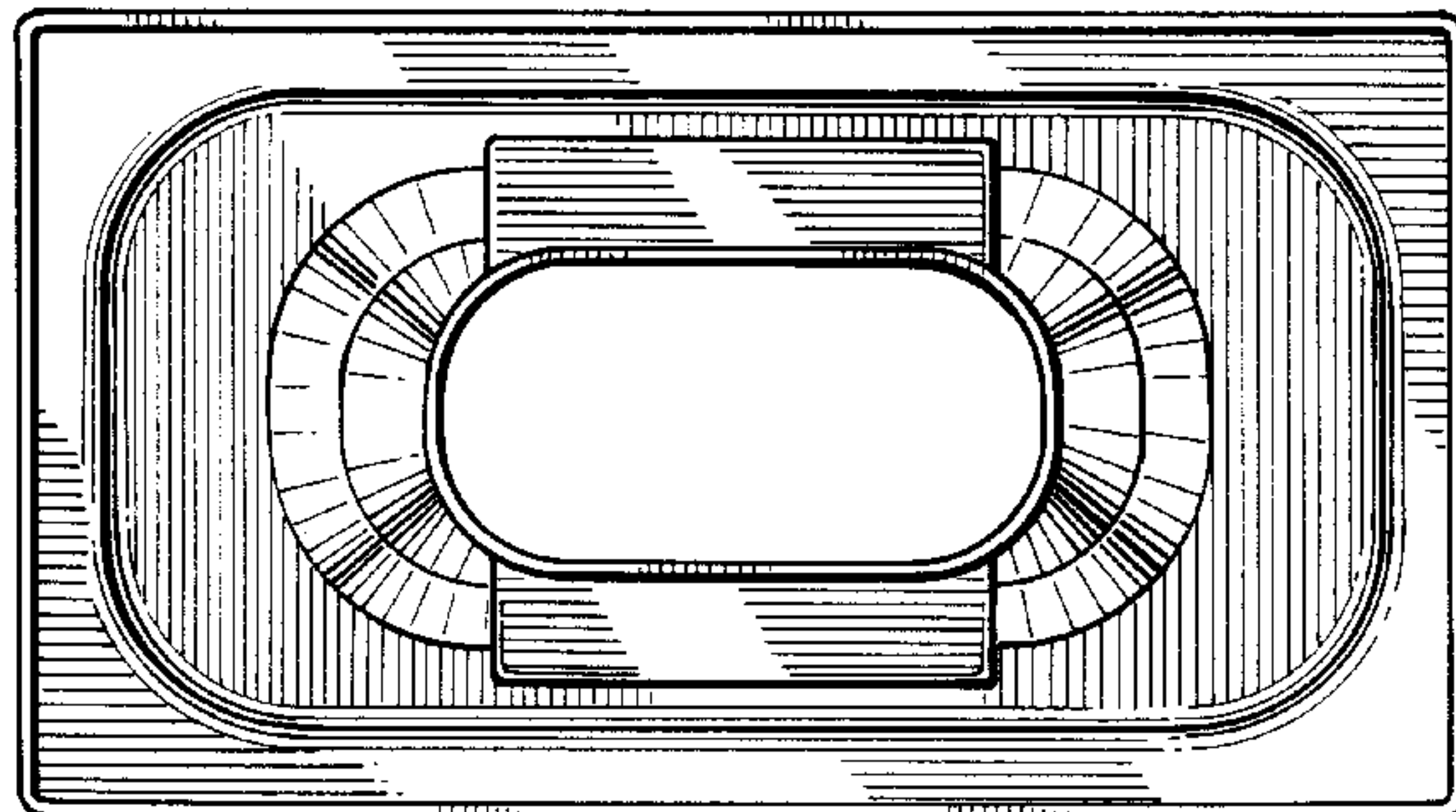
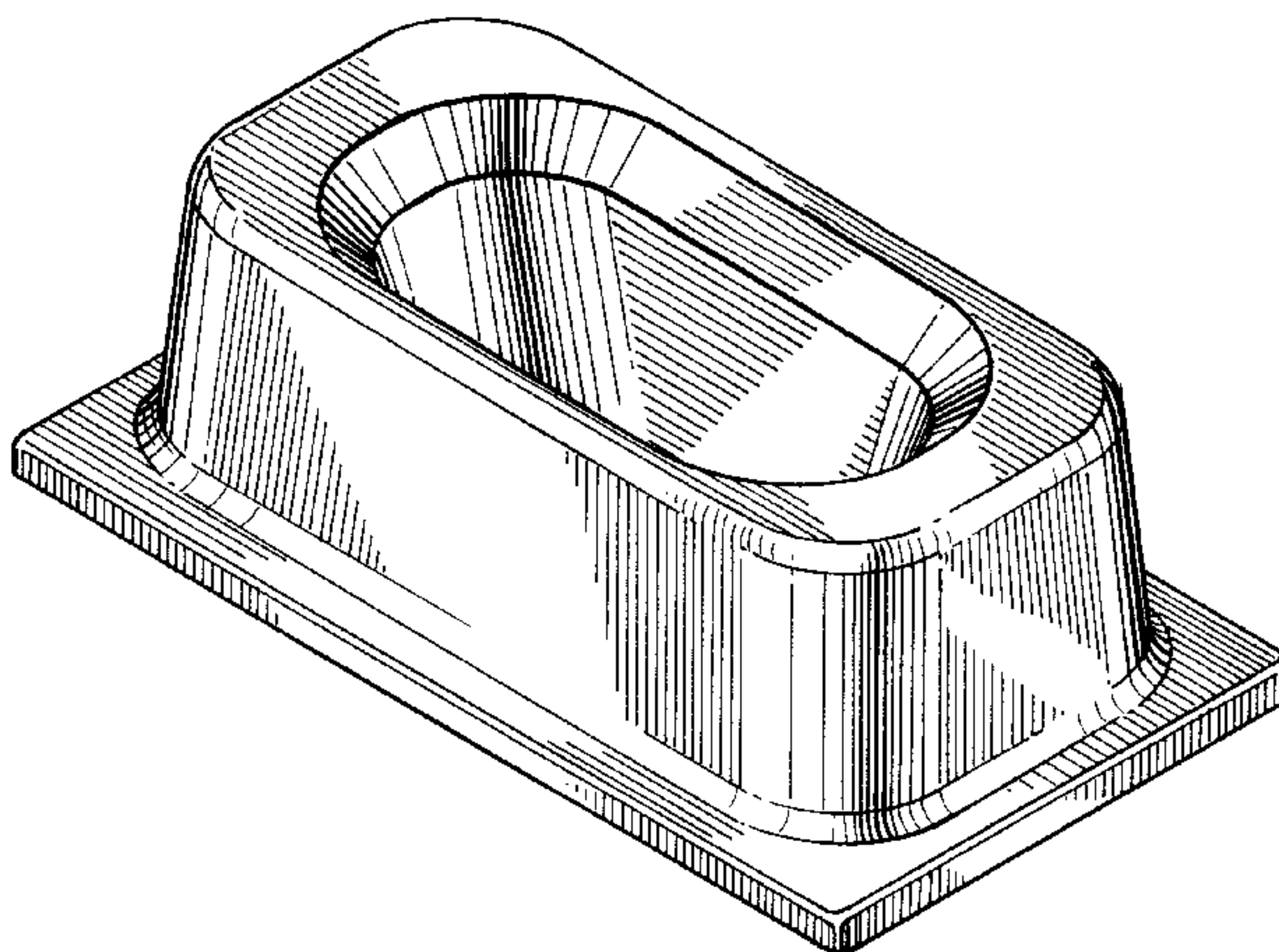
[57] **CLAIM**

The ornamental design for a trash can tableware retriever, as shown and described.

DESCRIPTION

FIG. 1 is a perspective view of a trash can tableware retriever embodying my new design.
FIG. 2 is a front view of the trash can tableware retriever of FIG. 1 and the rear view is a mirror image thereof.
FIG. 3 is a left side view of the trash can tableware retriever with the right side view being a mirror image thereof.
FIG. 4 is a top view thereof; and,
FIG. 5 is a bottom view.

1 Claim, 2 Drawing Sheets



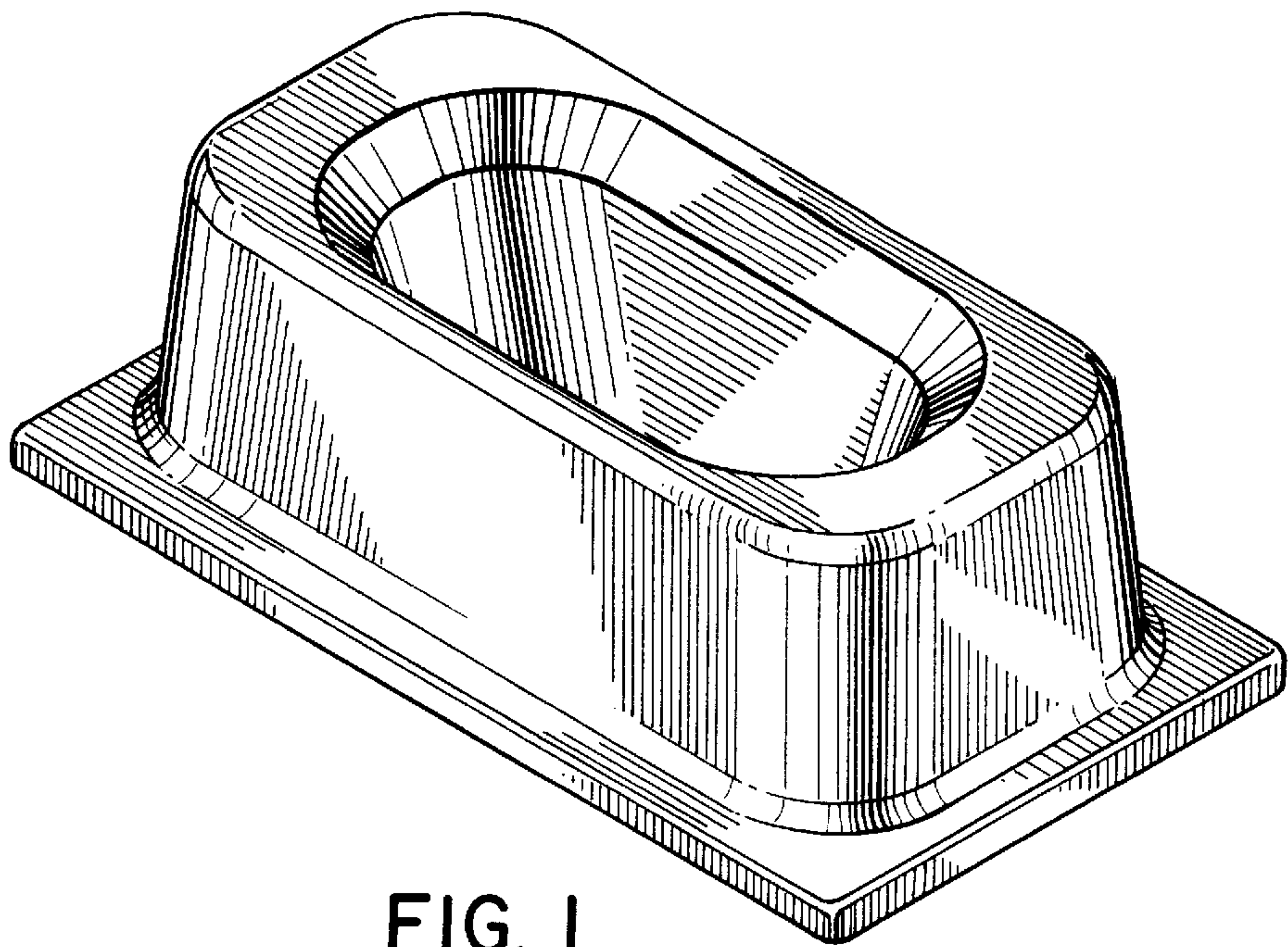


FIG. 1

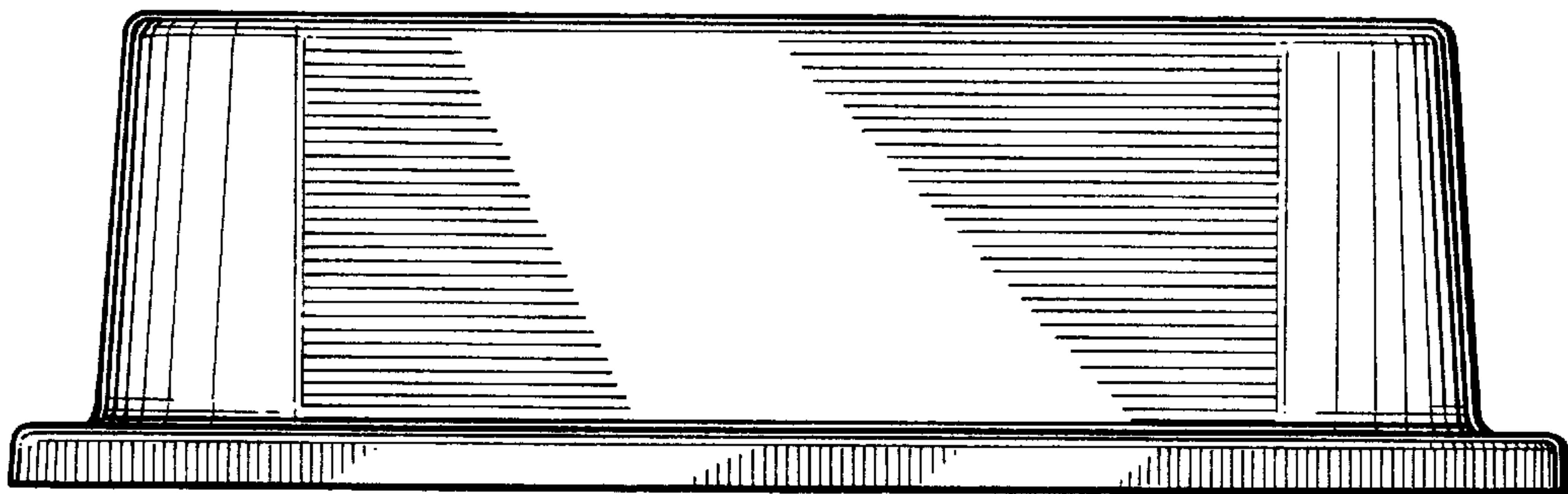


FIG. 2

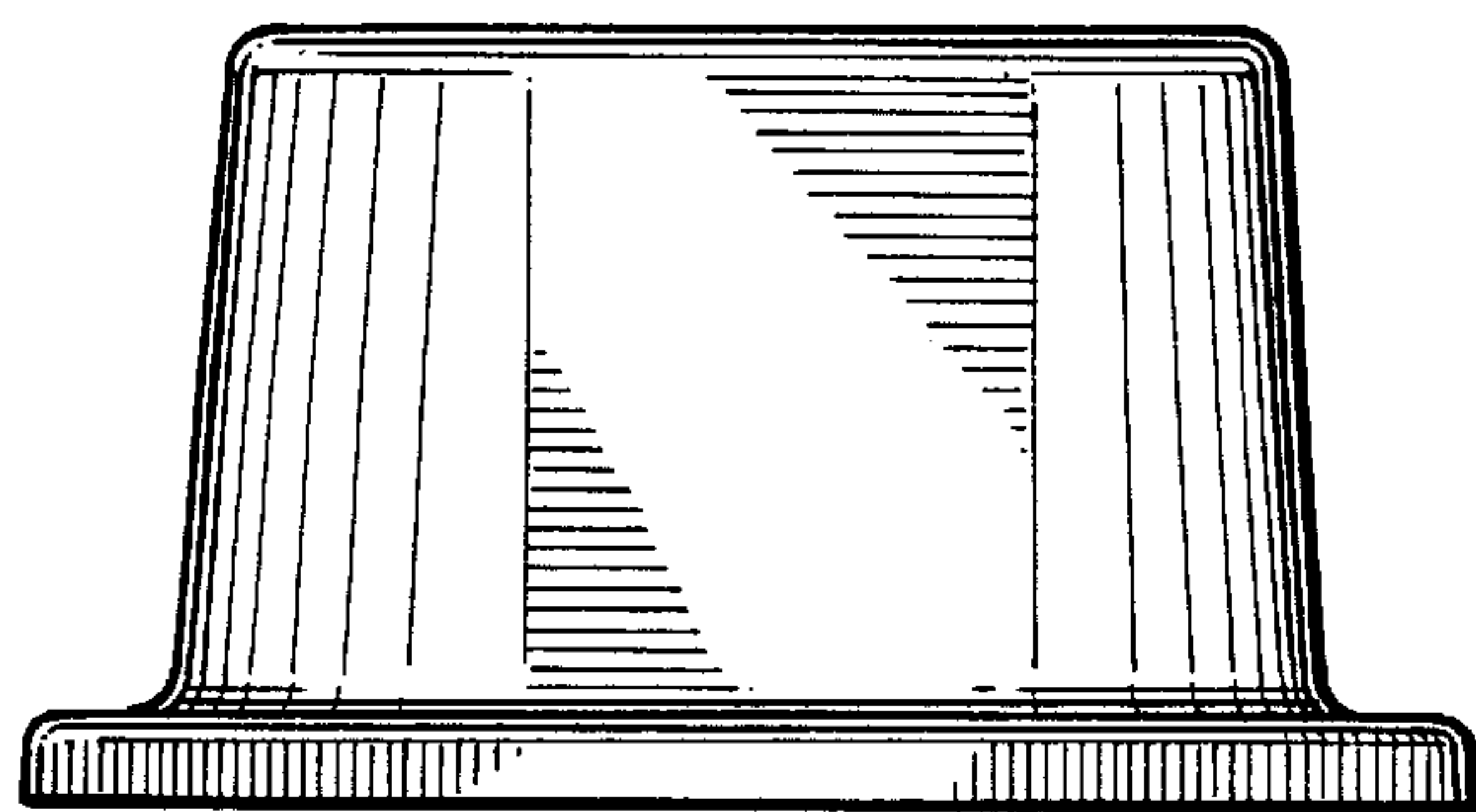


FIG. 3

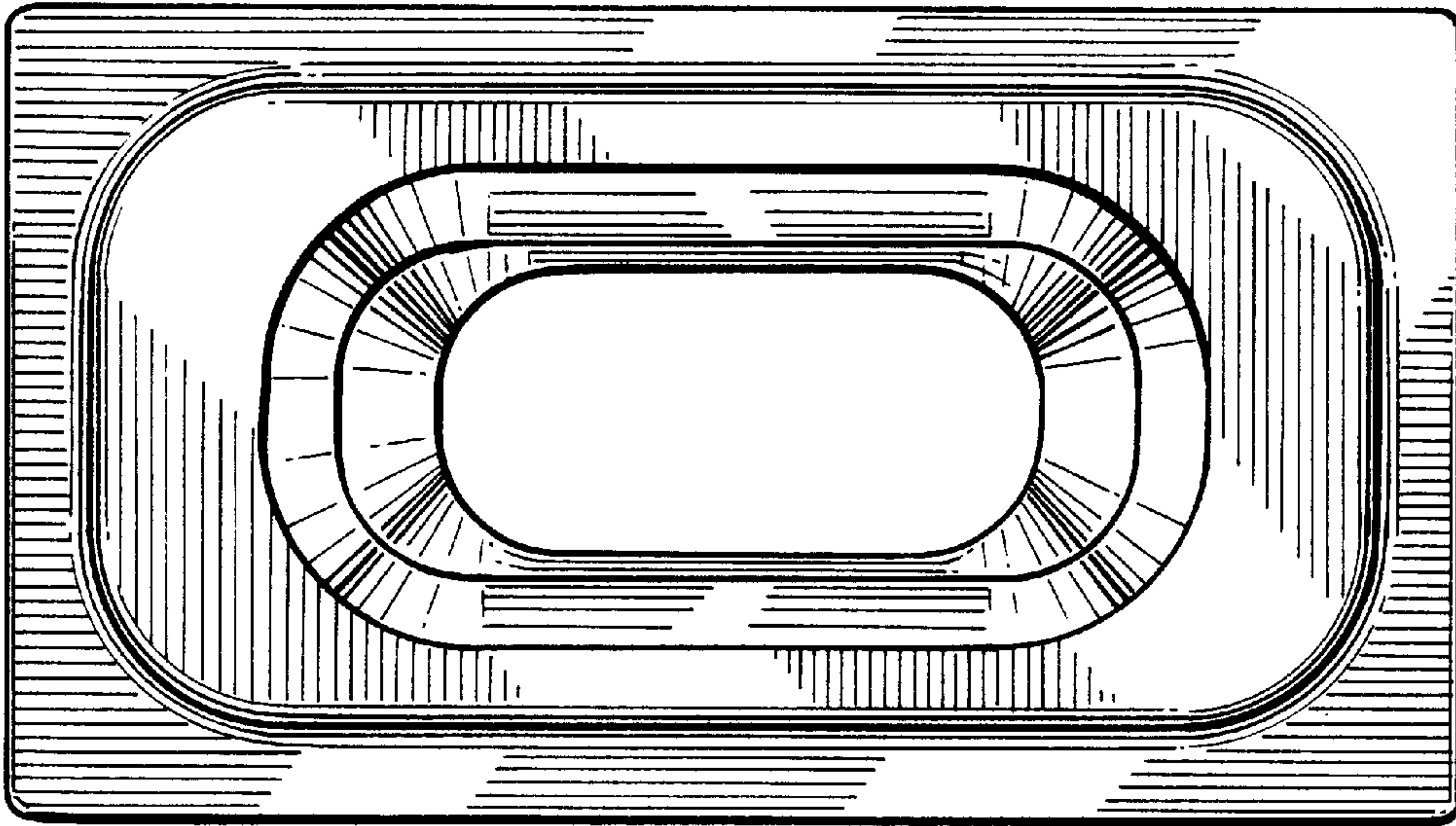


FIG. 4

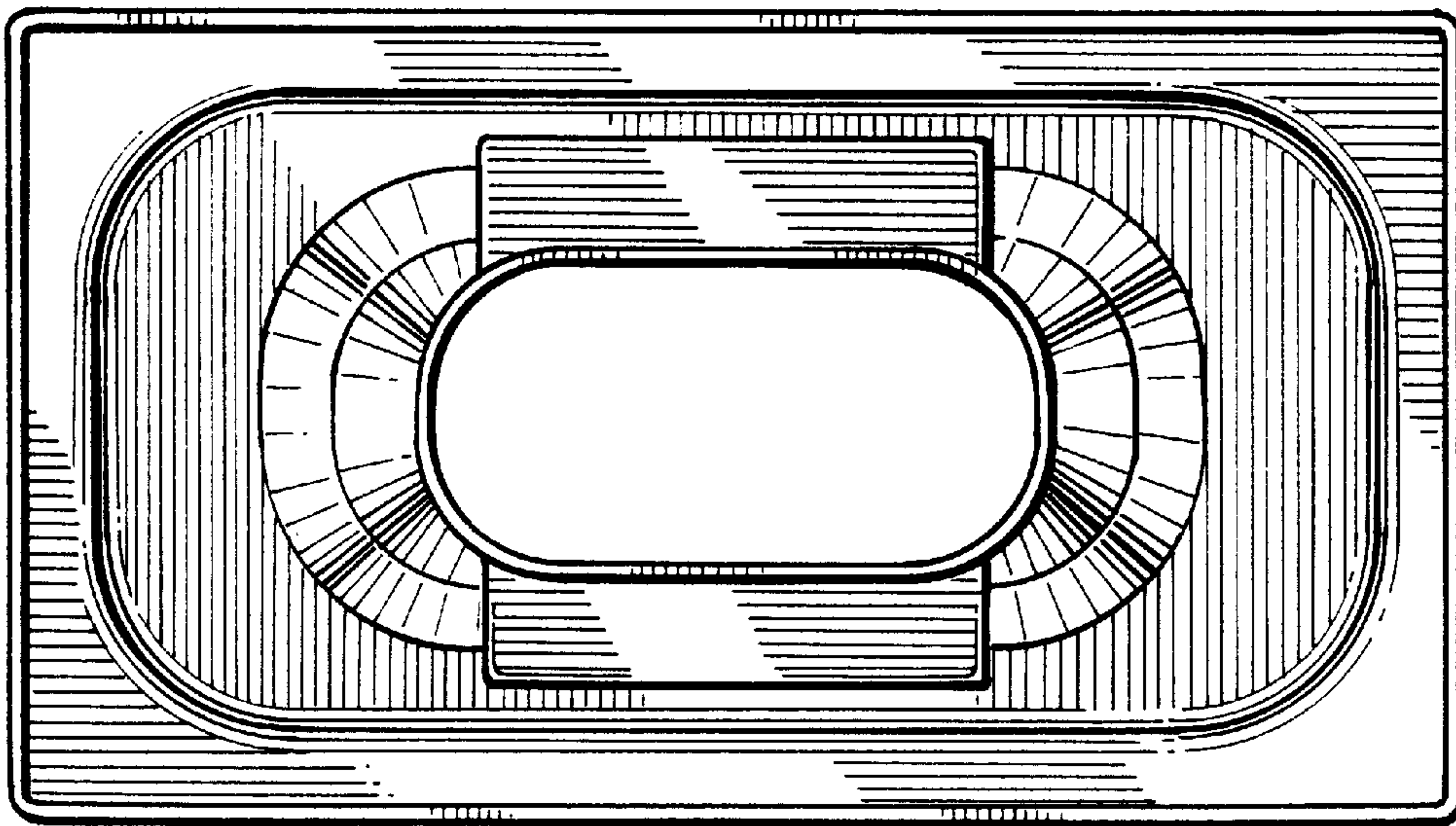


FIG. 5