



US00D411676S

United States Patent [19]
Cantrell

[11] **Patent Number: Des. 411,676**
[45] **Date of Patent: ** Jun. 29, 1999**

[54] **GARBAGE AND RECYCLING STORAGE UNIT**

[76] Inventor: **Gregory Cantrell**, P.O. Box 28238, Oakland, Calif. 94612

[**] Term: **14 Years**

[21] Appl. No.: **29/087,142**

[22] Filed: **Apr. 27, 1998**

[51] **LOC (6) Cl.** **09-09**

[52] **U.S. Cl.** **D34/7; D34/5**

[58] **Field of Search** D34/1.5, 2-11; 220/908, 909, 910, 911, 23.83, 23.4, 500, 675; D32/37; D9/341, 348

[56] **References Cited**

U.S. PATENT DOCUMENTS

D. 319,126	8/1991	Blackman	D34/7
D. 327,760	7/1992	Donnelly	D34/1
D. 327,965	7/1992	Chelec	D34/7
D. 332,676	1/1993	Benson	D34/1
D. 335,561	5/1993	Mihyar	D34/7
D. 336,703	6/1993	Mason, Jr. et al.	D34/1
D. 340,333	10/1993	Duran et al.	D34/7
D. 377,554	1/1997	Adriaansen	D34/7
5,101,997	4/1992	Bagwell et al.	220/23.4

Primary Examiner—Susan J. Lucas

Assistant Examiner—Cynthia E. Ramirez

Attorney, Agent, or Firm—Carol D. Titus; James J. Leary

[57] **CLAIM**

The ornamental design for a garbage and recycling storage unit, as shown and described.

DESCRIPTION

FIG. 1 is a perspective view of the garbage and recycling storage unit;

FIG. 2 is an exploded perspective view thereof, the broken line showing of the recycling and refuse materials are for illustrative purposes only and form no part of the claimed invention;

FIG. 3 is a side view thereof;

FIG. 4 is a back view thereof;

FIG. 5 is a bottom view thereof;

FIG. 6 is a top view thereof with the top cover removed;

FIG. 7 is a top view thereof;

FIG. 8 is a back perspective view of the front compartment thereof;

FIG. 9 is a front perspective view of the central compartment thereof, the broken line showing of the refuse material is for illustrative purposes only and forms no part of the claimed invention;

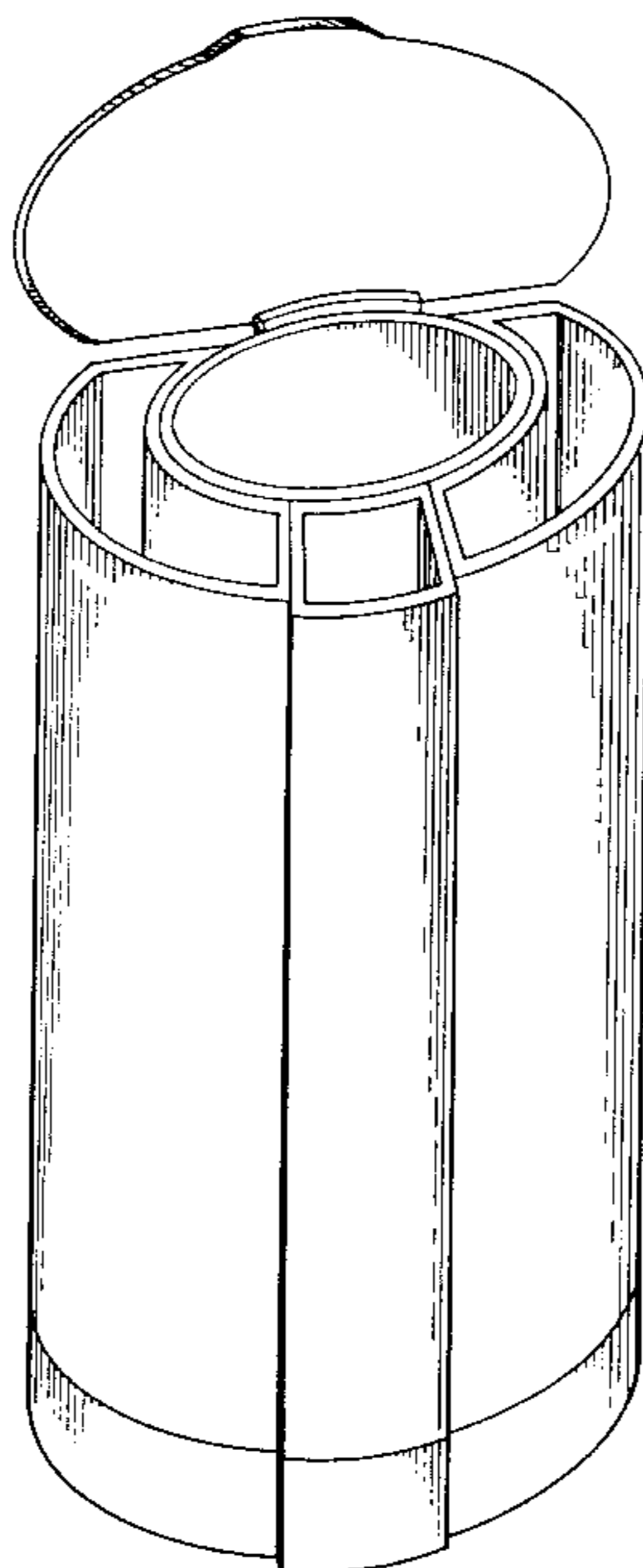
FIG. 10 is a top perspective view of the bottom compartment thereof;

FIG. 11 is a front perspective view of one of the side compartments thereof, the other side compartment being a mirror image thereof; and,

FIG. 12 is a back perspective view of one of the side compartments thereof, the other side compartment being a mirror image thereof.

The cover in FIG. 6 and the other elements of the unit are omitted from FIGS. 8 through 12 for clarity of illustration.

1 Claim, 6 Drawing Sheets



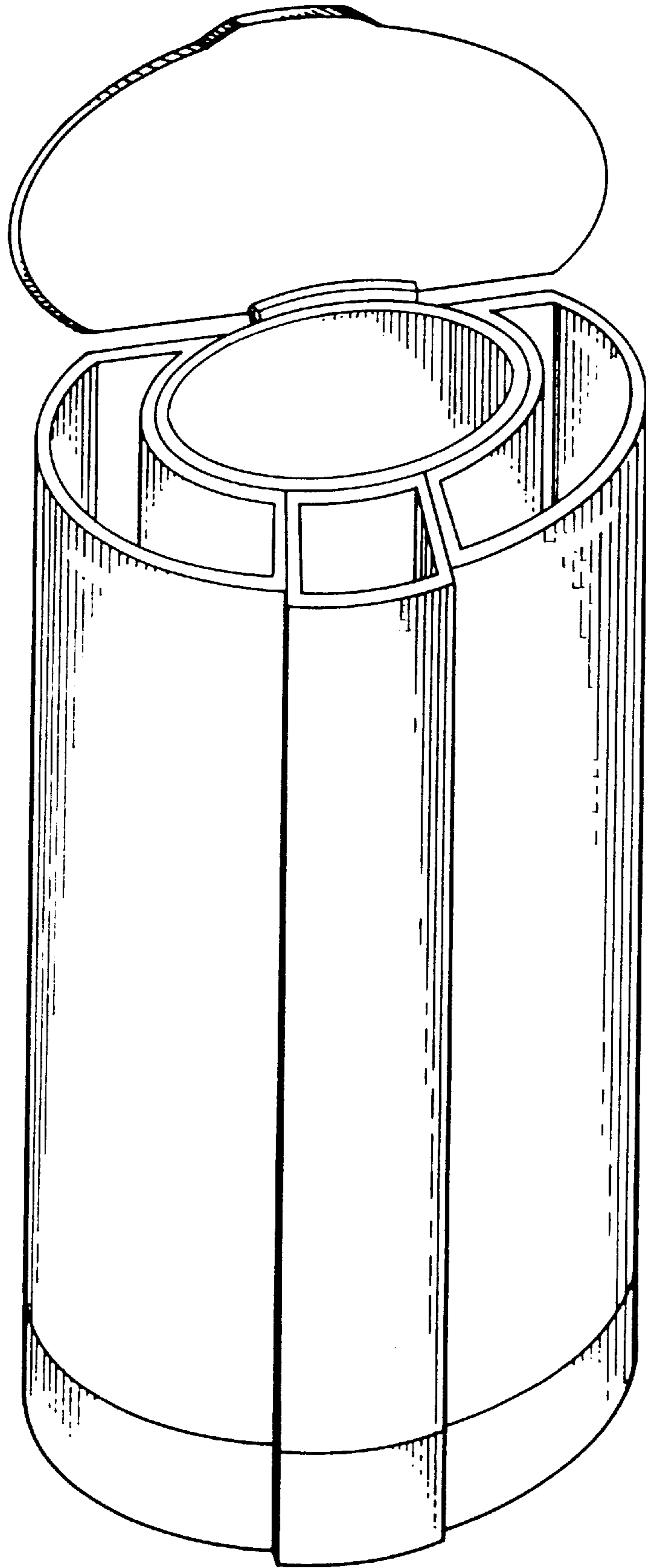


FIG. 1

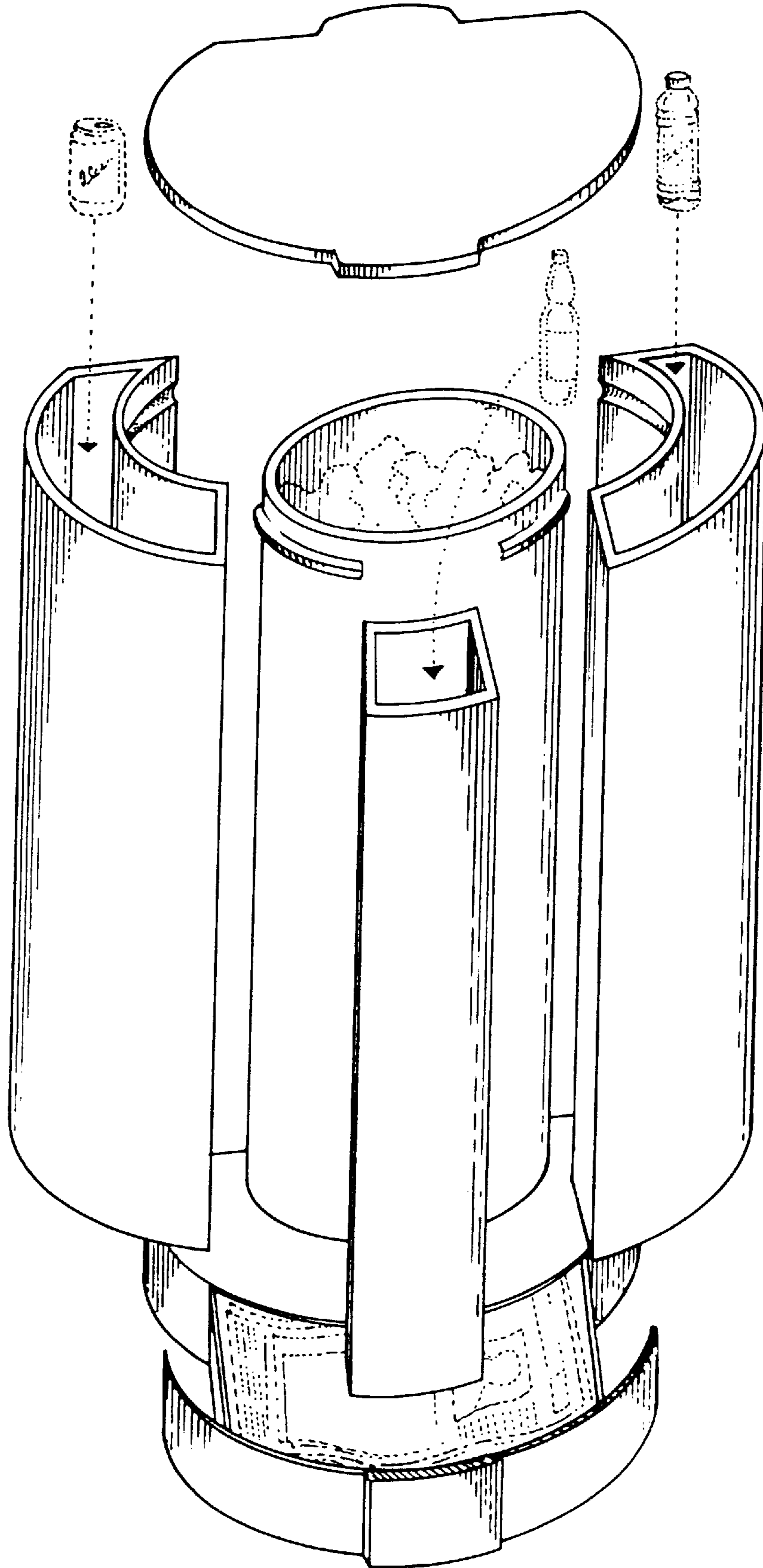


FIG. 2

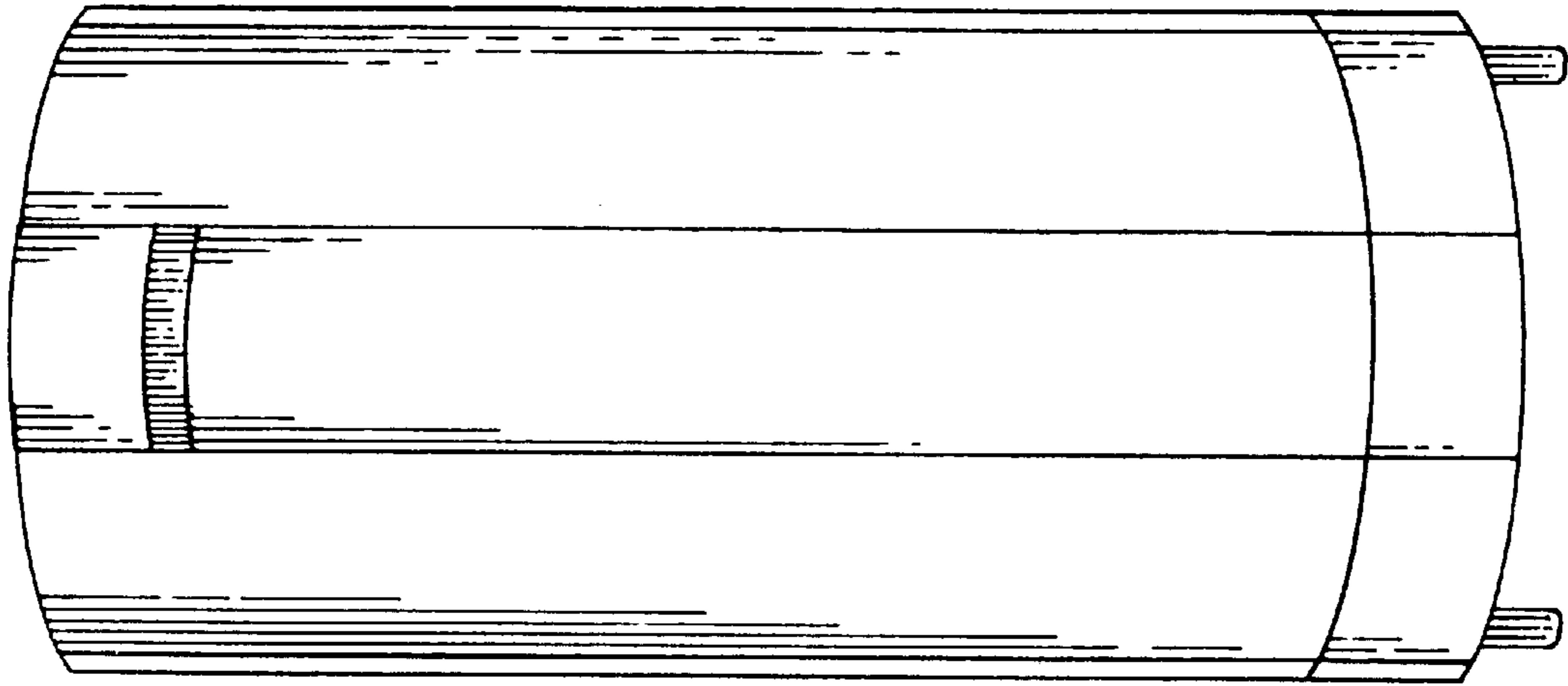


FIG. 4

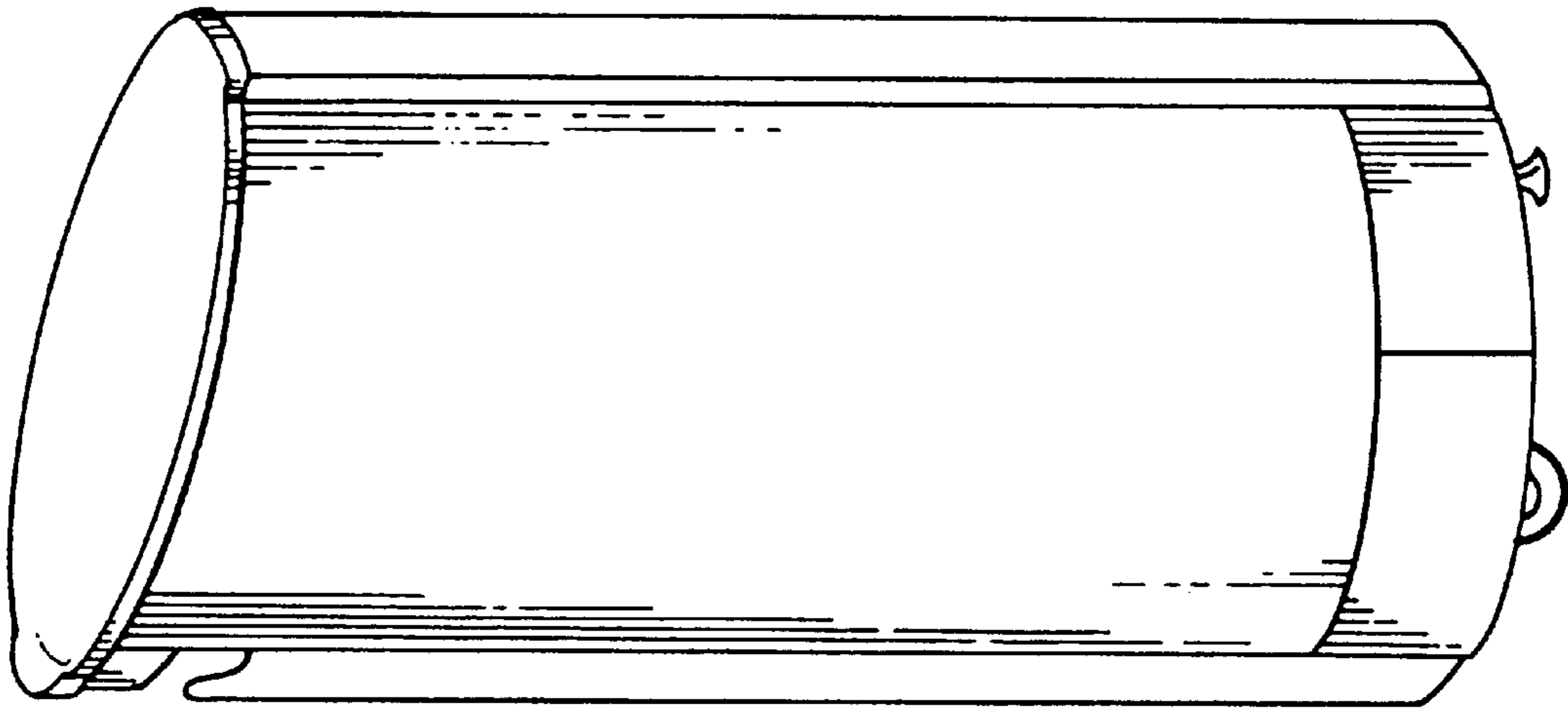


FIG. 3

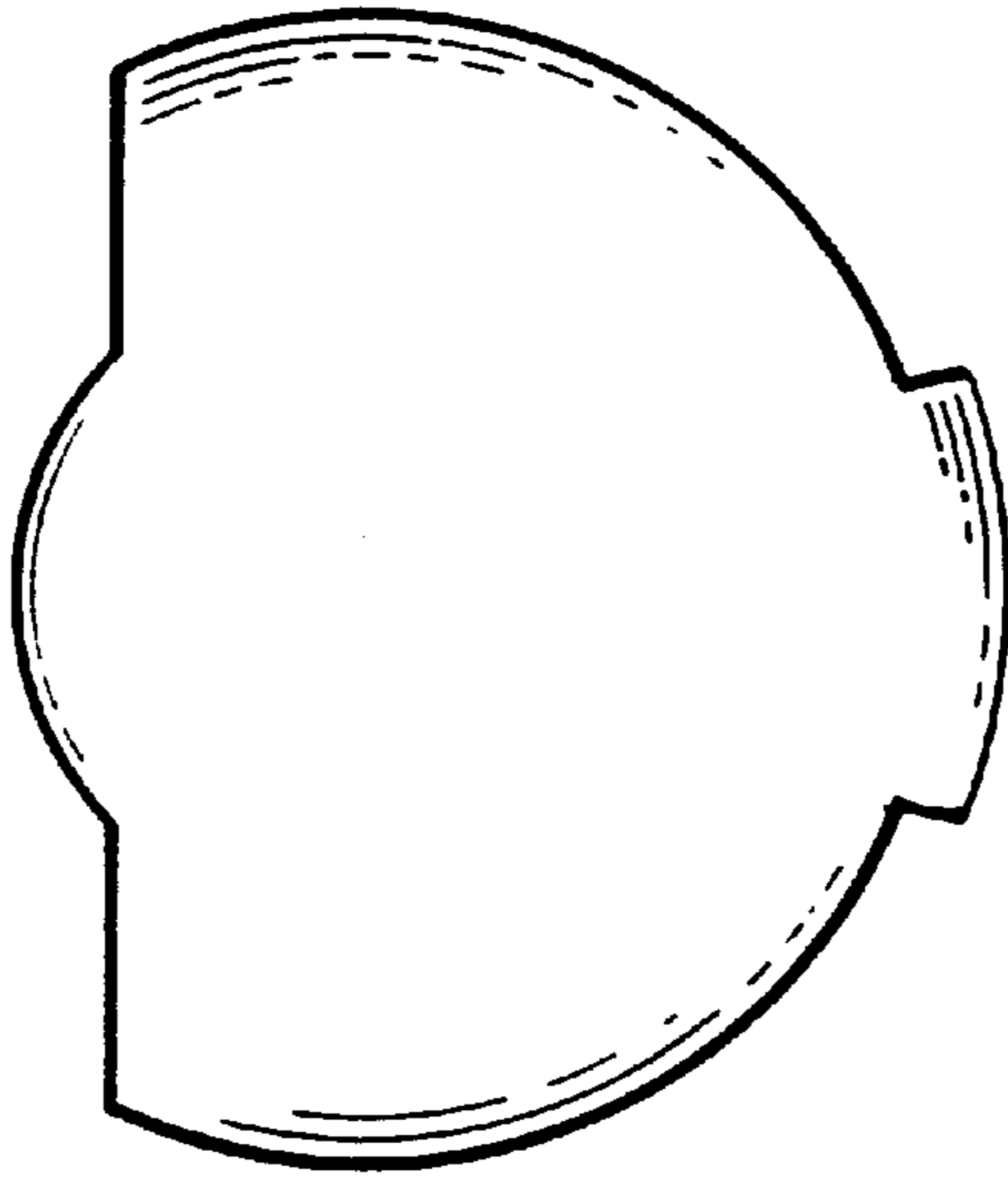


FIG. 5

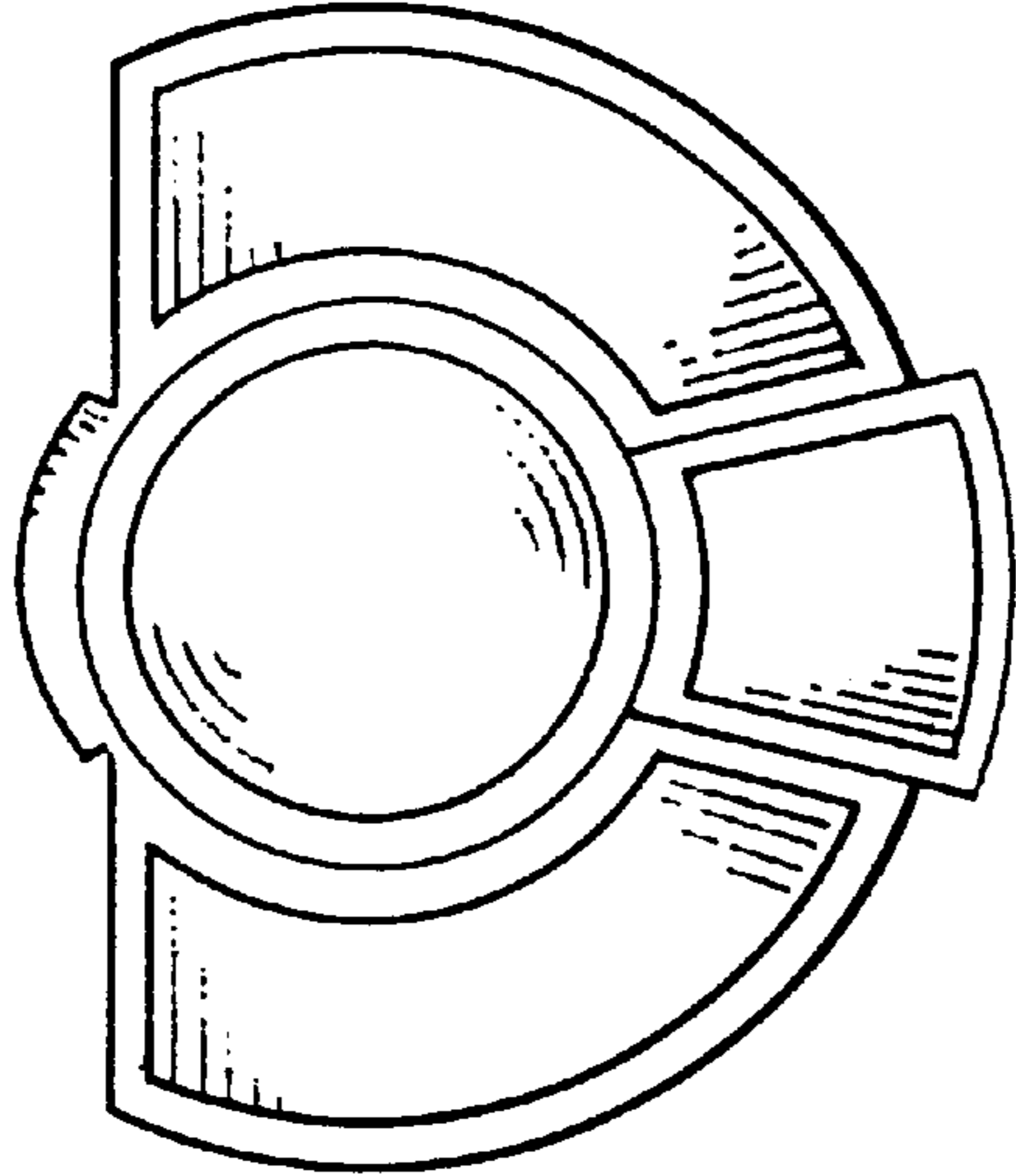


FIG. 6

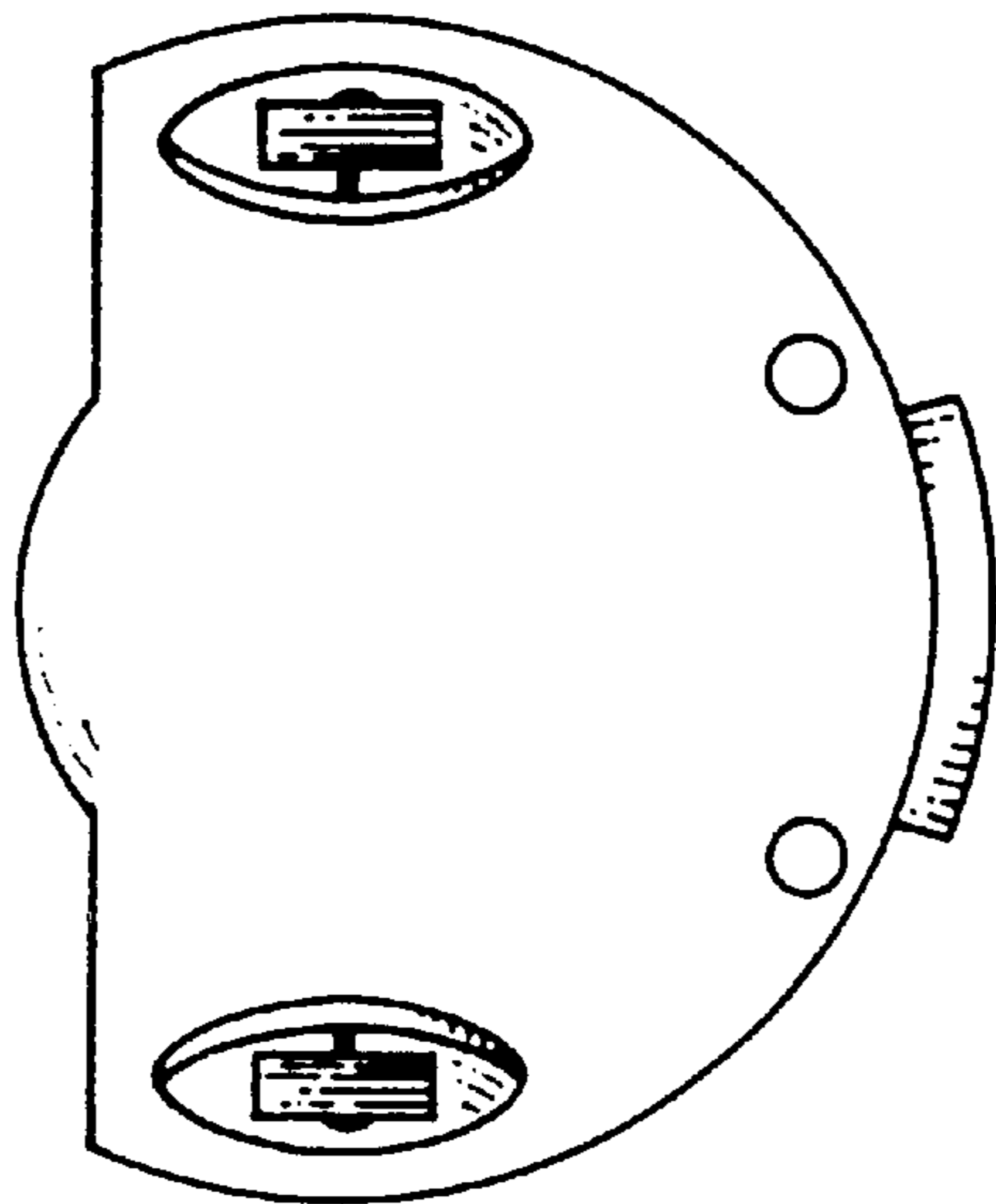


FIG. 7

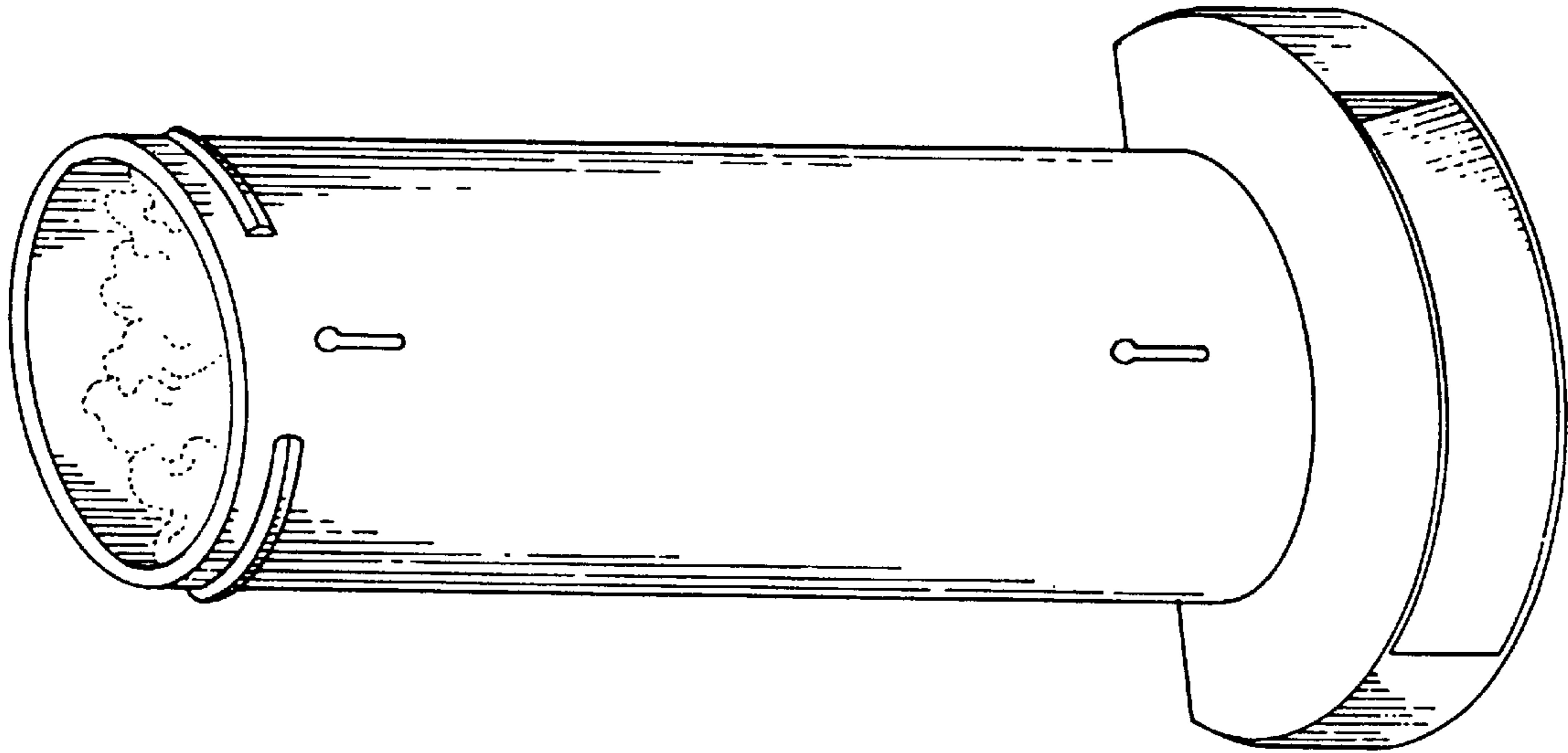


FIG. 9

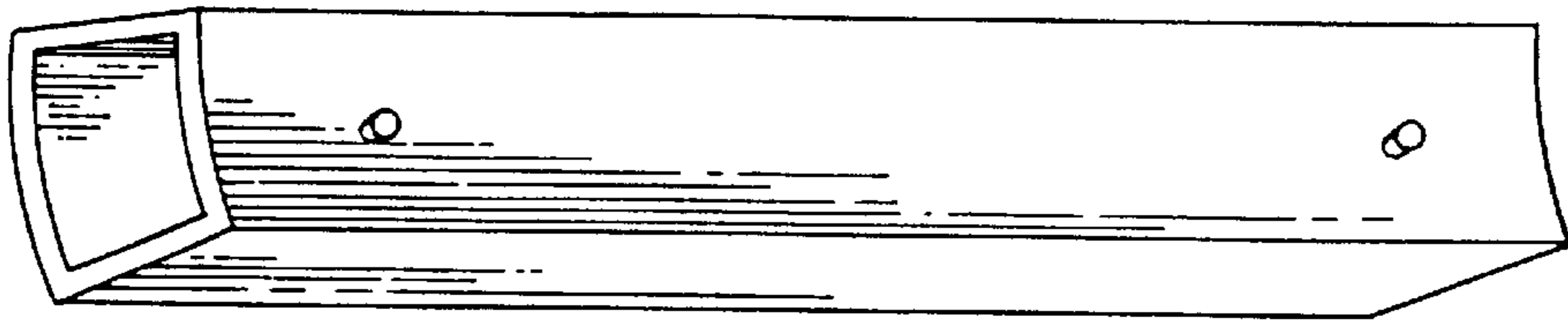


FIG. 8

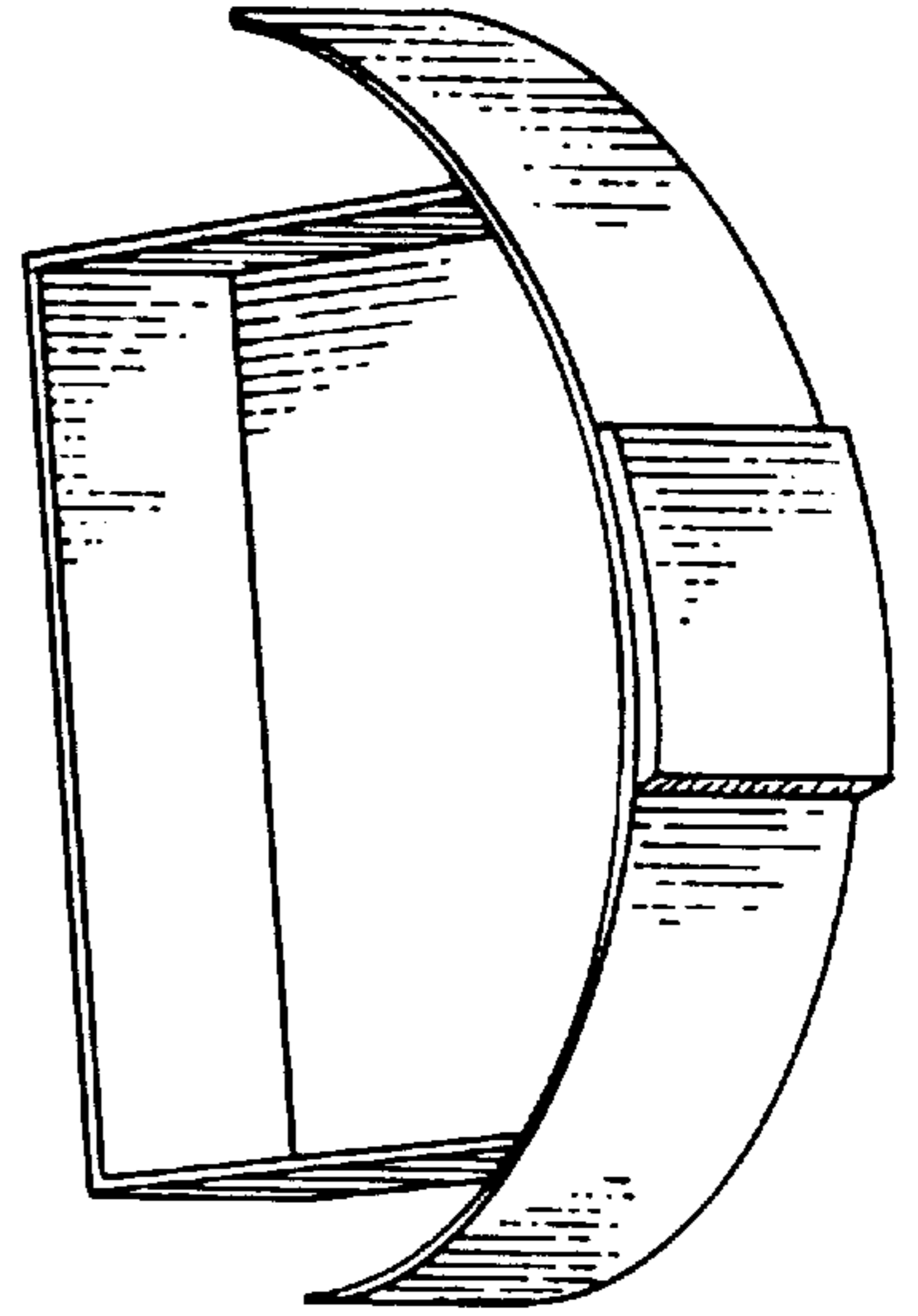


FIG. 10

FIG. 12

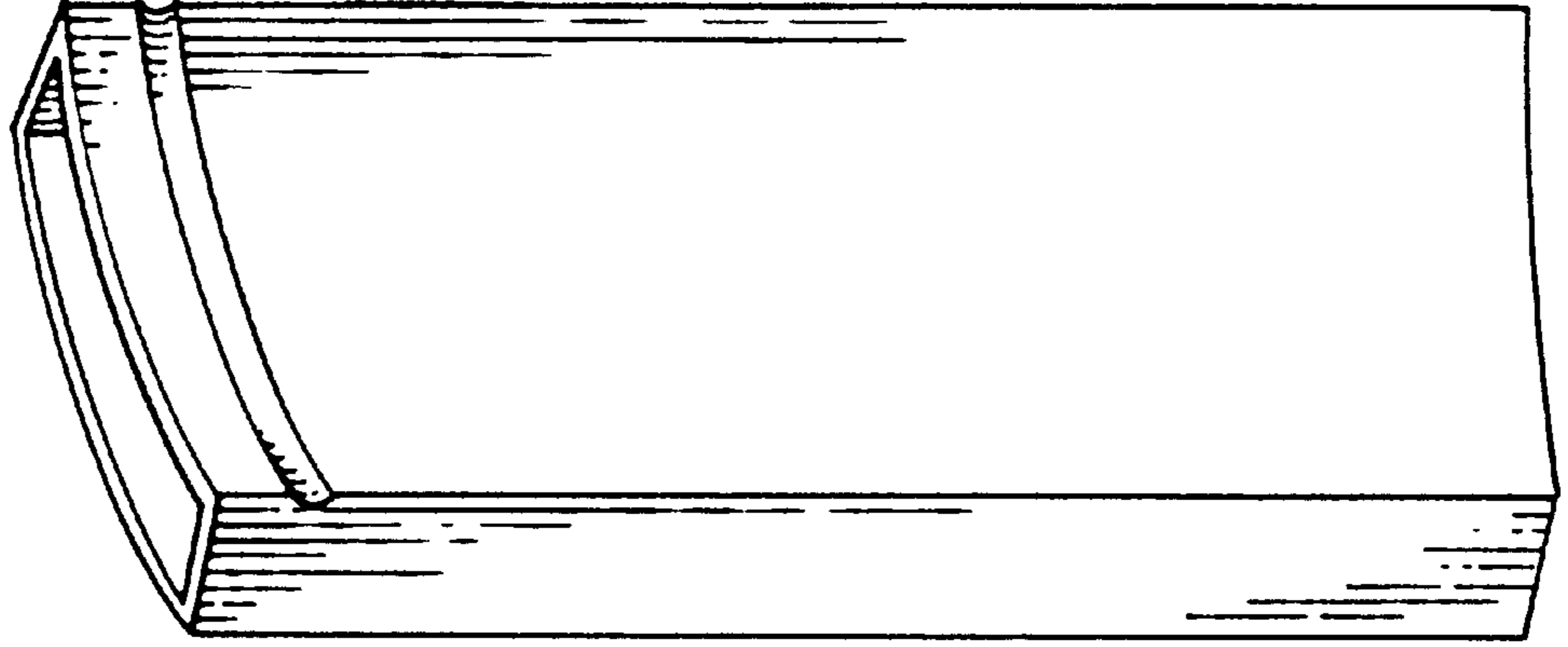


FIG. 11

