



US00D411674S

United States Patent [19] Haley et al.

[11] Patent Number: **Des. 411,674**

[45] Date of Patent: **** Jun. 29, 1999**

[54] **DUAL BUCKET**

[75] Inventors: **Vincent L. Haley**, Orrville; **Neal K. Jacobs**, Wooster, both of Ohio

[73] Assignee: **Rubbermaid Incorporated**, Wooster, Ohio

[**] Term: **14 Years**

[21] Appl. No.: **29/088,422**

[22] Filed: **May 22, 1998**

[51] **LOC (6) Cl.** **07-07**

[52] **U.S. Cl.** **D32/53**

[58] **Field of Search** D32/53, 53.1,
D32/54; 15/260, 262, 264; 280/79.5

[56] **References Cited**

U.S. PATENT DOCUMENTS

D. 212,831	11/1968	Koch	D32/53
D. 320,295	9/1991	Delmerico	D32/53
D. 344,379	2/1994	Clark, Jr.	D32/53
D. 345,236	3/1994	Chen	D32/53
D. 348,550	7/1994	Cox et al.	D34/53 X
D. 374,321	10/1996	Mandell et al.	D32/53
1,486,284	3/1924	Eiffe	.	
1,734,352	11/1929	Smith et al.	.	
2,321,981	6/1943	Bowers	211/71
2,738,893	3/1956	Quinones, Jr.	220/23.4
4,161,799	7/1979	Sorrells	15/260

4,798,307	1/1989	Evrard	220/20.5
5,086,917	2/1992	Dziersk et al.	D32/53 X
5,414,892	5/1995	Clark, Jr.	15/263

OTHER PUBLICATIONS

Catalog Page, "Utility Pails", Tucker Housewares, 25 Tucker Drive, Leominster, Mass. 01453, (undated).
Catalog Pages, "Heavy Duty Double Pail", 2 pages, Hamelin Enterprises, 150 boul. Industries, Boucherville (QC) Canada J4B 2X3, (undated).

Primary Examiner—Susan J. Lucas
Assistant Examiner—Cynthia Ramirez
Attorney, Agent, or Firm—Renner, Kenner, Greive, Bobak, Taylor & Weber

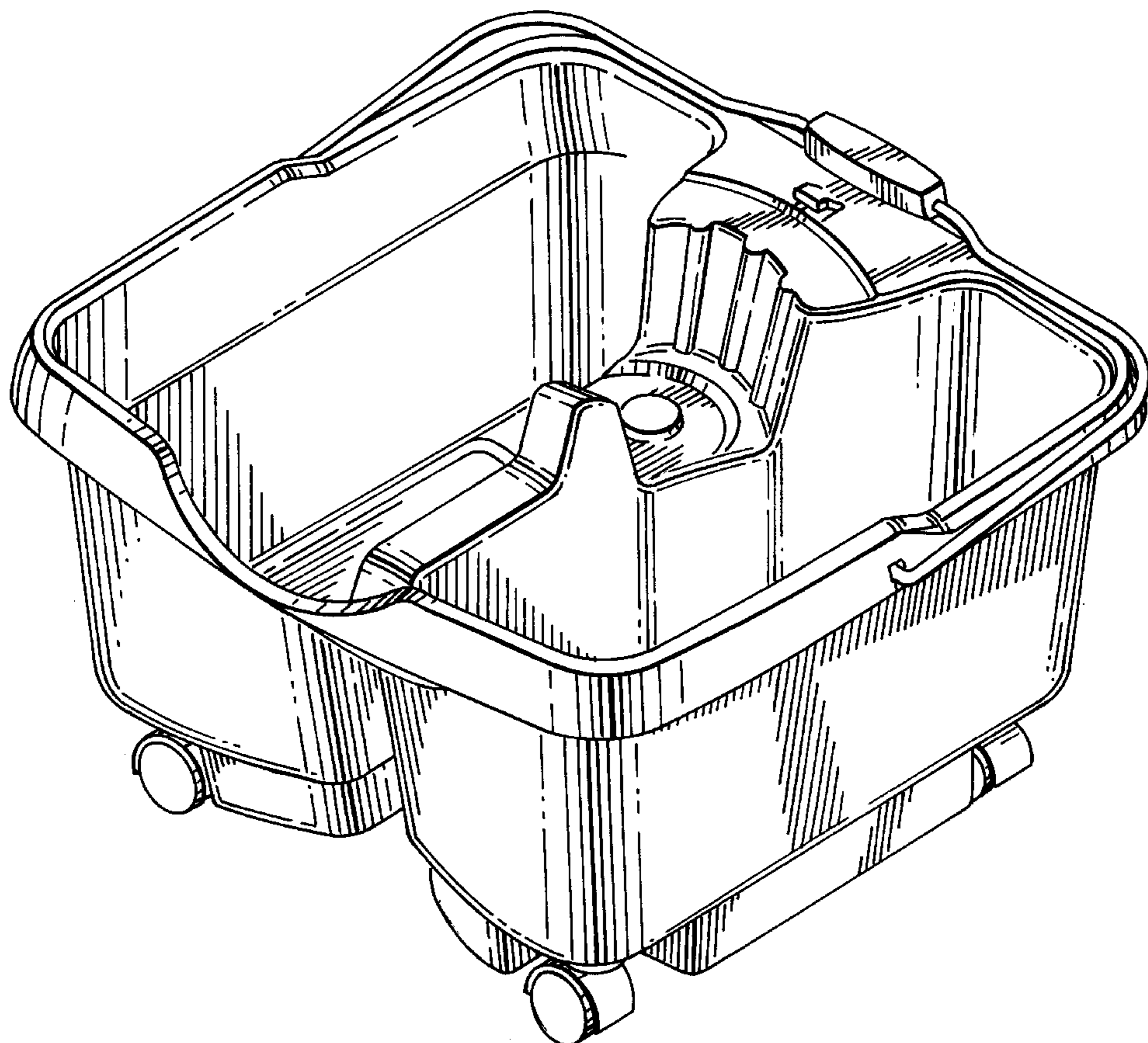
[57] **CLAIM**

The ornamental design for a dual bucket, as shown and described.

DESCRIPTION

FIG. 1 is a top, front, right side perspective view of a dual bucket showing our new design;
FIG. 2 is a front elevational view thereof;
FIG. 3 is a rear elevational view thereof;
FIG. 4 is a left side elevational view thereof;
FIG. 5 is a right side elevational view thereof;
FIG. 6 is a top plan view thereof; and,
FIG. 7 is a bottom plan view thereof.

1 Claim, 7 Drawing Sheets



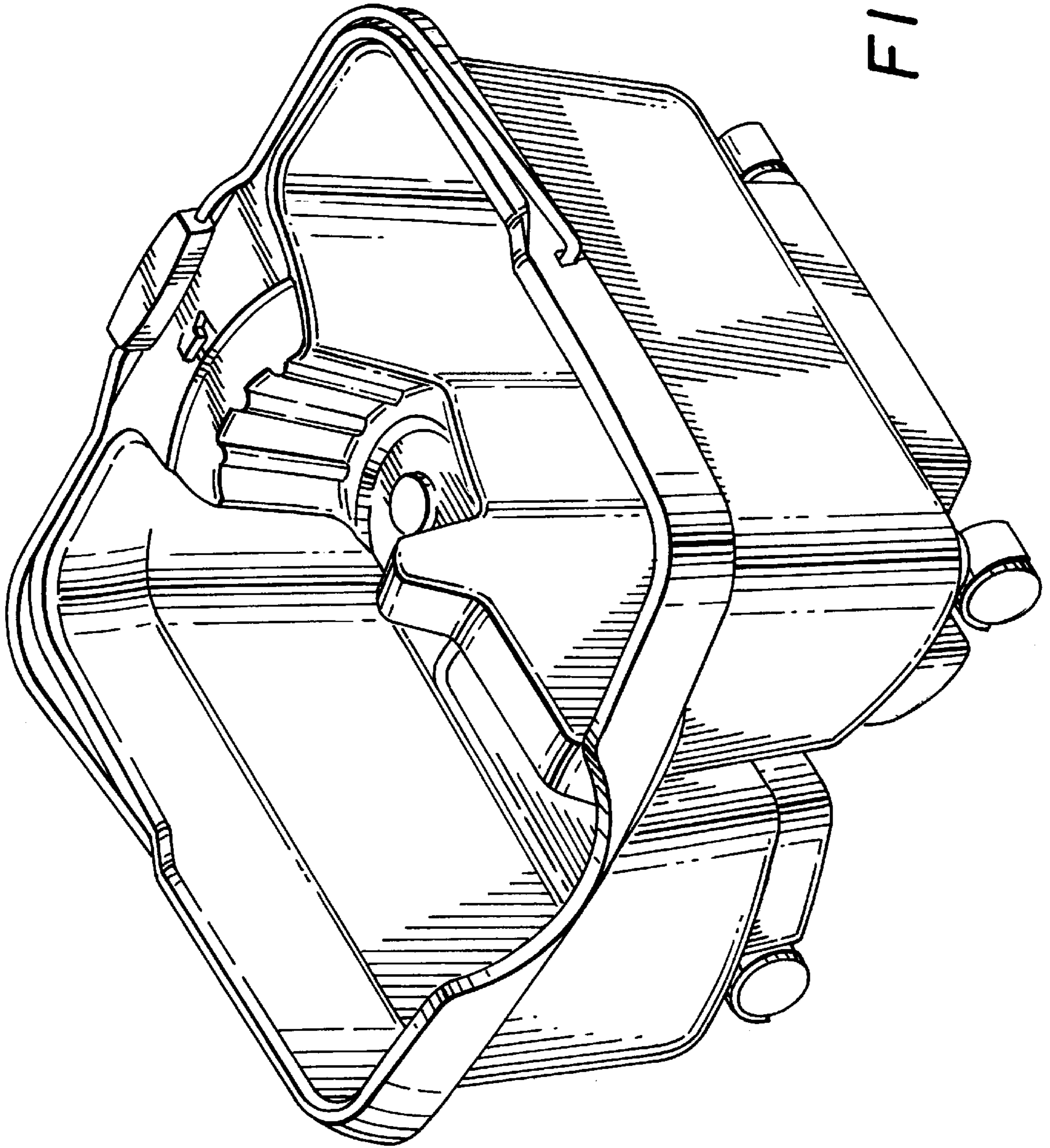


FIG. 1

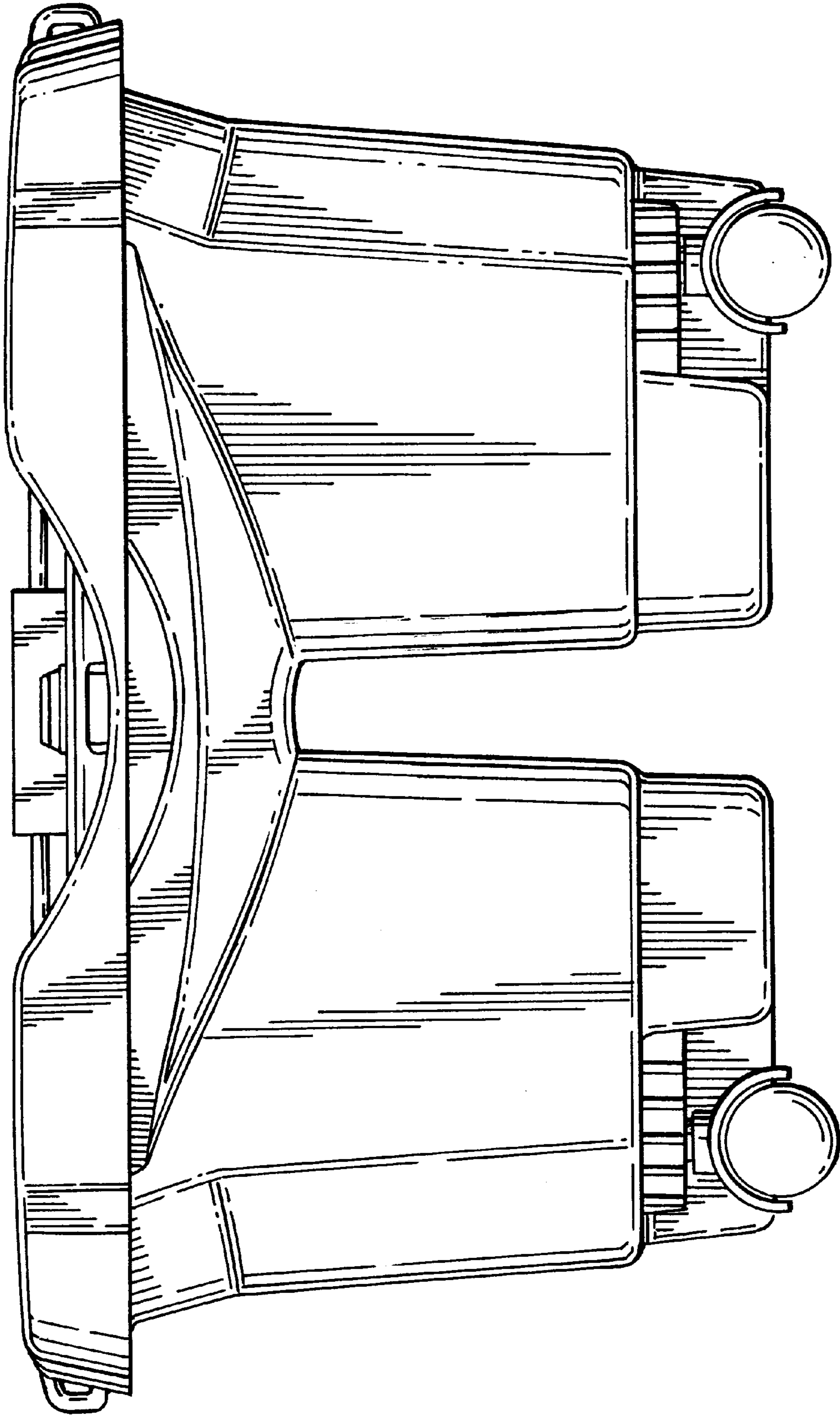


FIG. 2

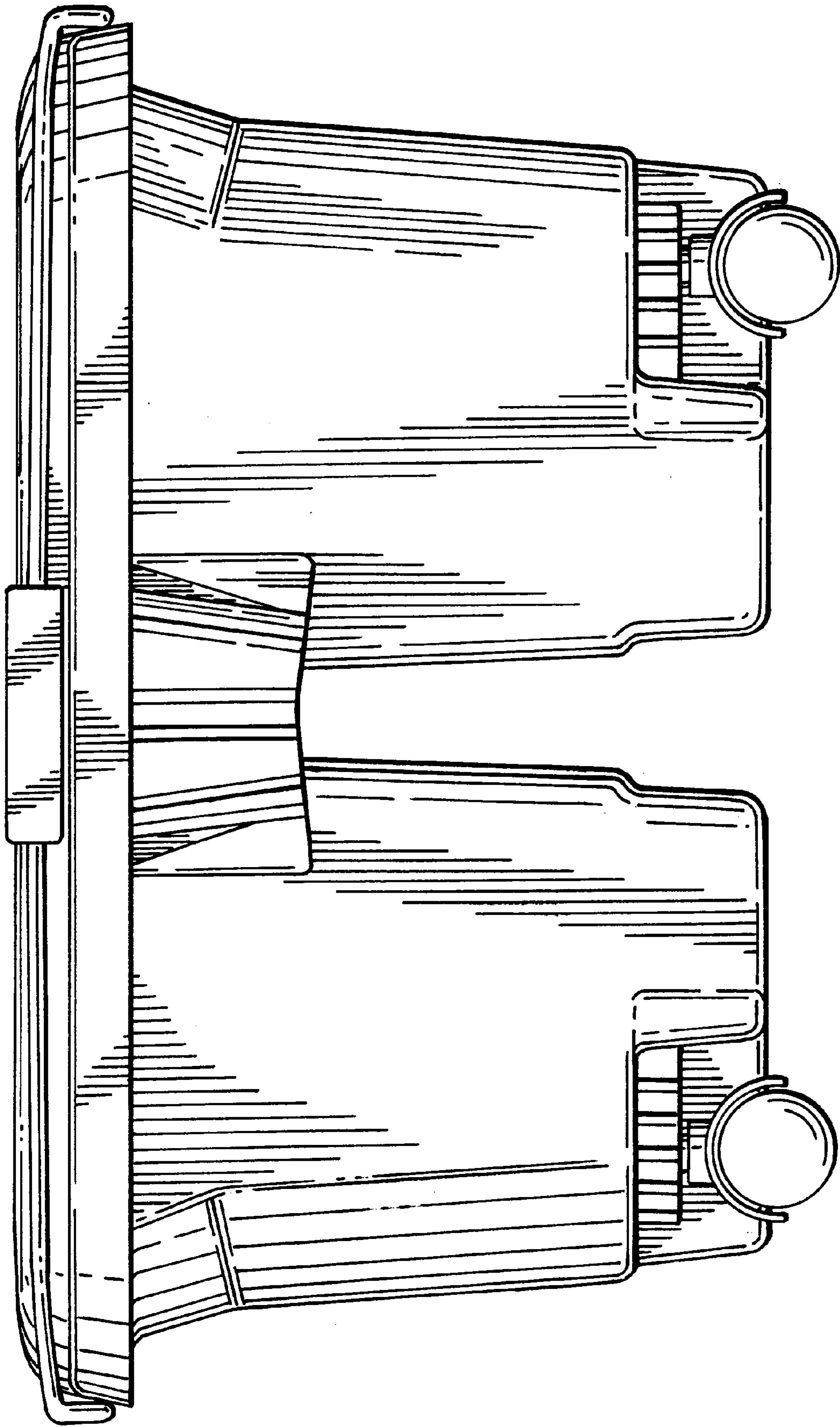


FIG. 3

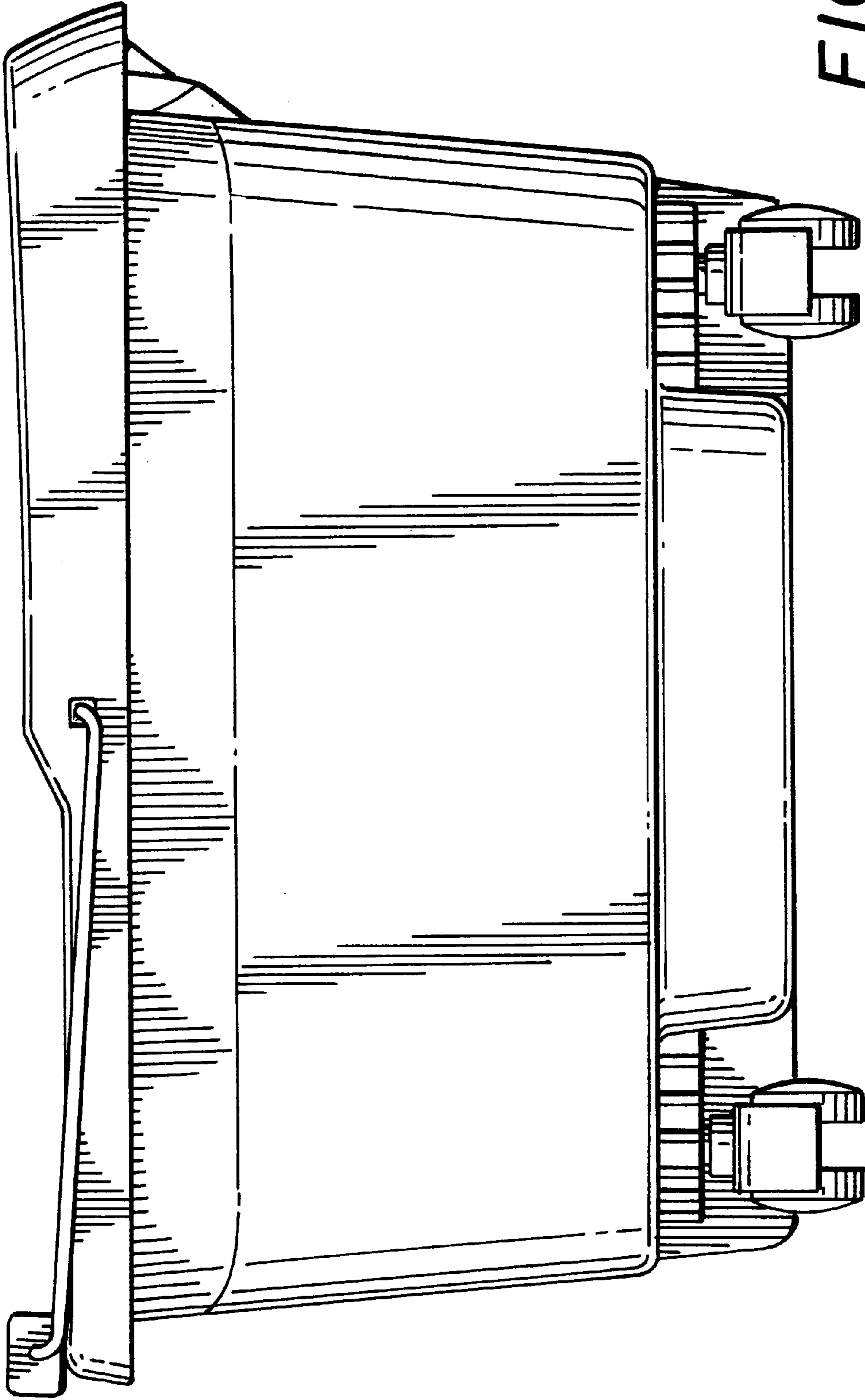


FIG. 4

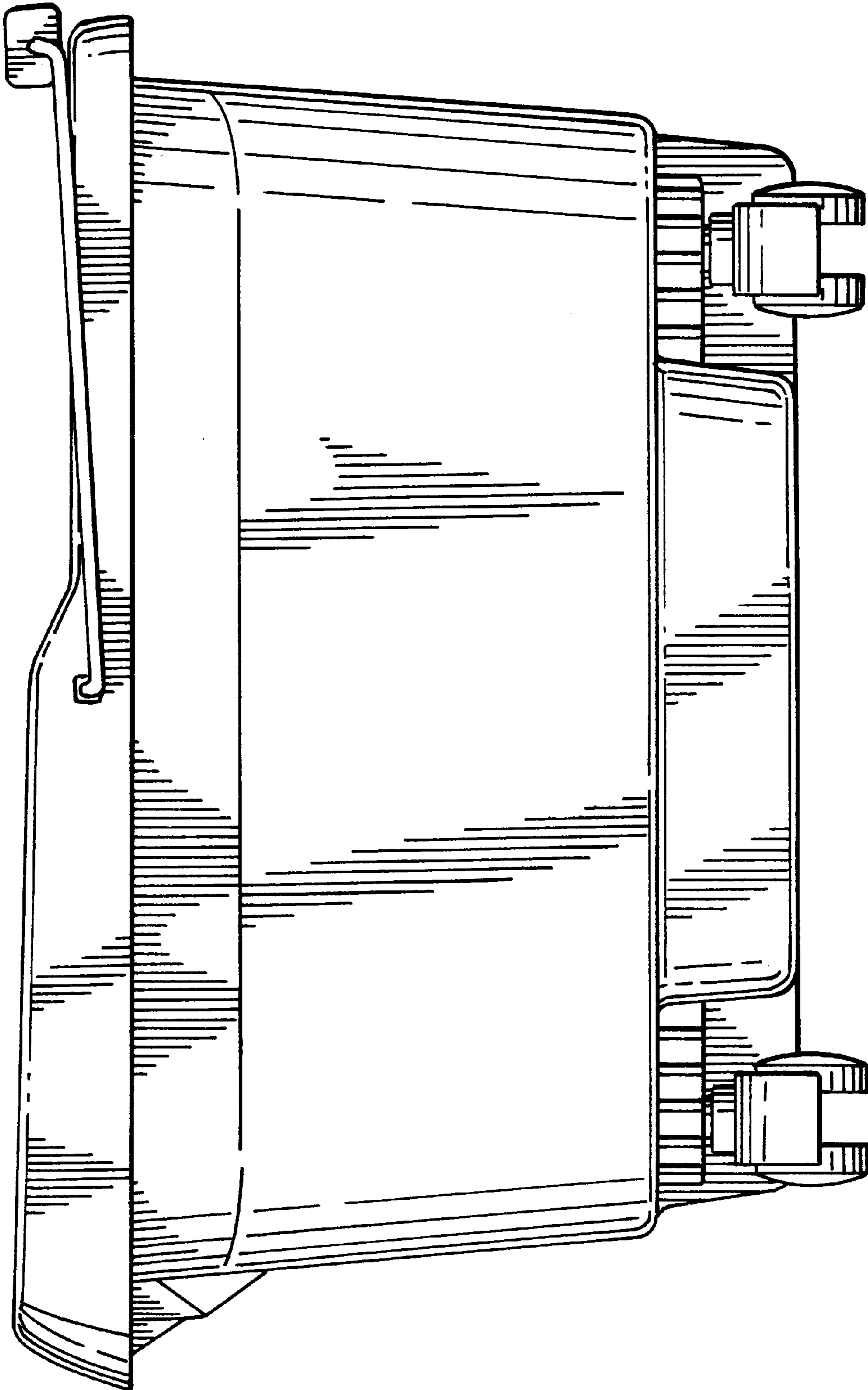


FIG. 5

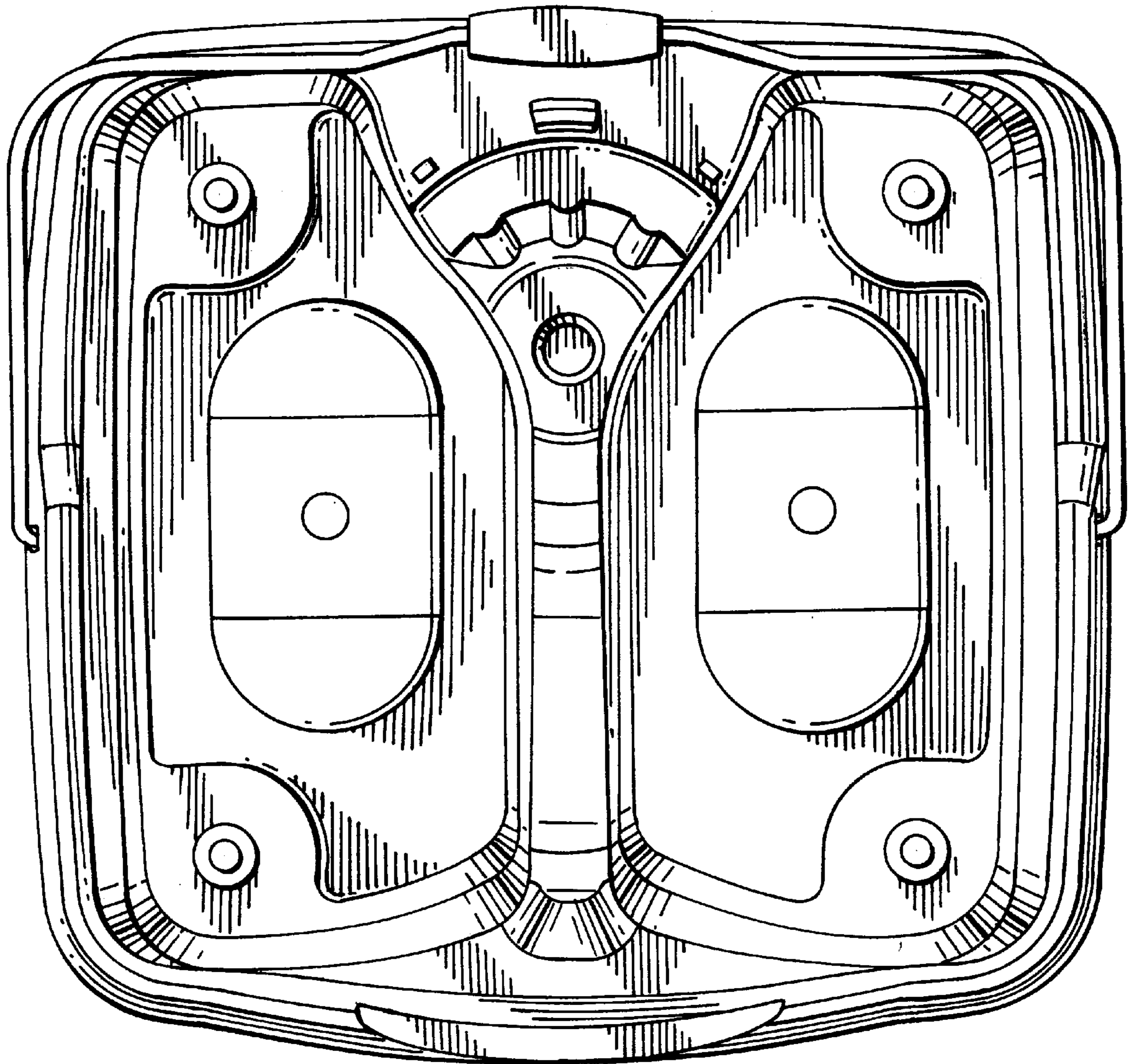


FIG. 6

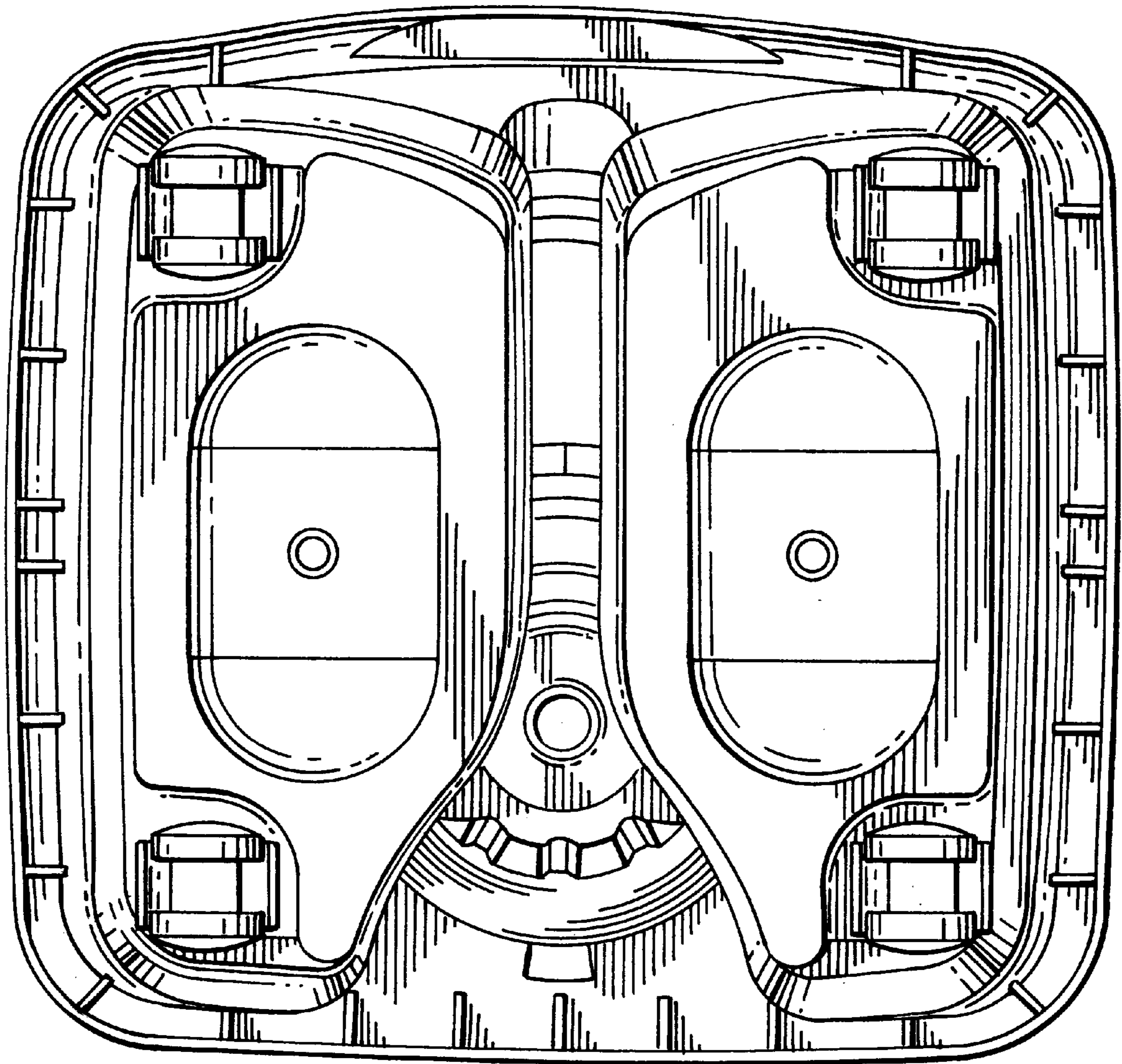


FIG. 7