



US00D411661S

United States Patent [19] Spence

[11] **Patent Number: Des. 411,661**

[45] **Date of Patent: ** Jun. 29, 1999**

[54] **EYEGLASS WRAP**

2,720,305 10/1955 Foster 206/5
2,863,487 12/1958 Shiner 206/5
2,918,959 12/1959 Block 206/5

[76] Inventor: **Linda J Spence**, 40 Silverdale,
Stanford-Le-Hope, Essex, United
Kingdom, SS17-8BE

Primary Examiner—Celia Murphy

[**] Term: **14 Years**

[57] **CLAIM**

[21] Appl. No.: **29/084,584**

The ornamental design for an eyeglass wrap, as shown and described.

[22] Filed: **Mar. 5, 1998**

DESCRIPTION

[51] **LOC (6) Cl.** **03-01**

[52] **U.S. Cl.** **D3/265; D3/263**

[58] **Field of Search** D3/263, 264, 265,
D3/268; 206/5, 5.1, 6

FIG. 1 is a front elevational view of an eyeglass wrap showing my new design, the broken lines shown in FIGS. 1 and 2 being understood to represent stitching; FIG. 2 is a back elevational view of the eyeglass wrap of FIG. 1; FIG. 3 is a left side elevational view of the eyeglass wrap of FIG. 1; FIG. 4 is a right side elevational view of the eyeglass wrap of FIG. 1; FIG. 5 is a top plan view of the eyeglass wrap of FIG. 1; and, FIG. 6 is a bottom plan view of the eyeglass wrap of FIG. 1.

[56] **References Cited**

U.S. PATENT DOCUMENTS

D. 264,976	6/1982	Greene	D3/265
D. 293,389	12/1987	Vitaloni	D3/219
D. 309,828	8/1990	Cook	D3/265
D. 352,825	11/1994	Hsieh	D3/265
D. 361,660	8/1995	Booth et al.	D3/265
2,554,630	5/1951	Miller	206/5

1 Claim, 3 Drawing Sheets

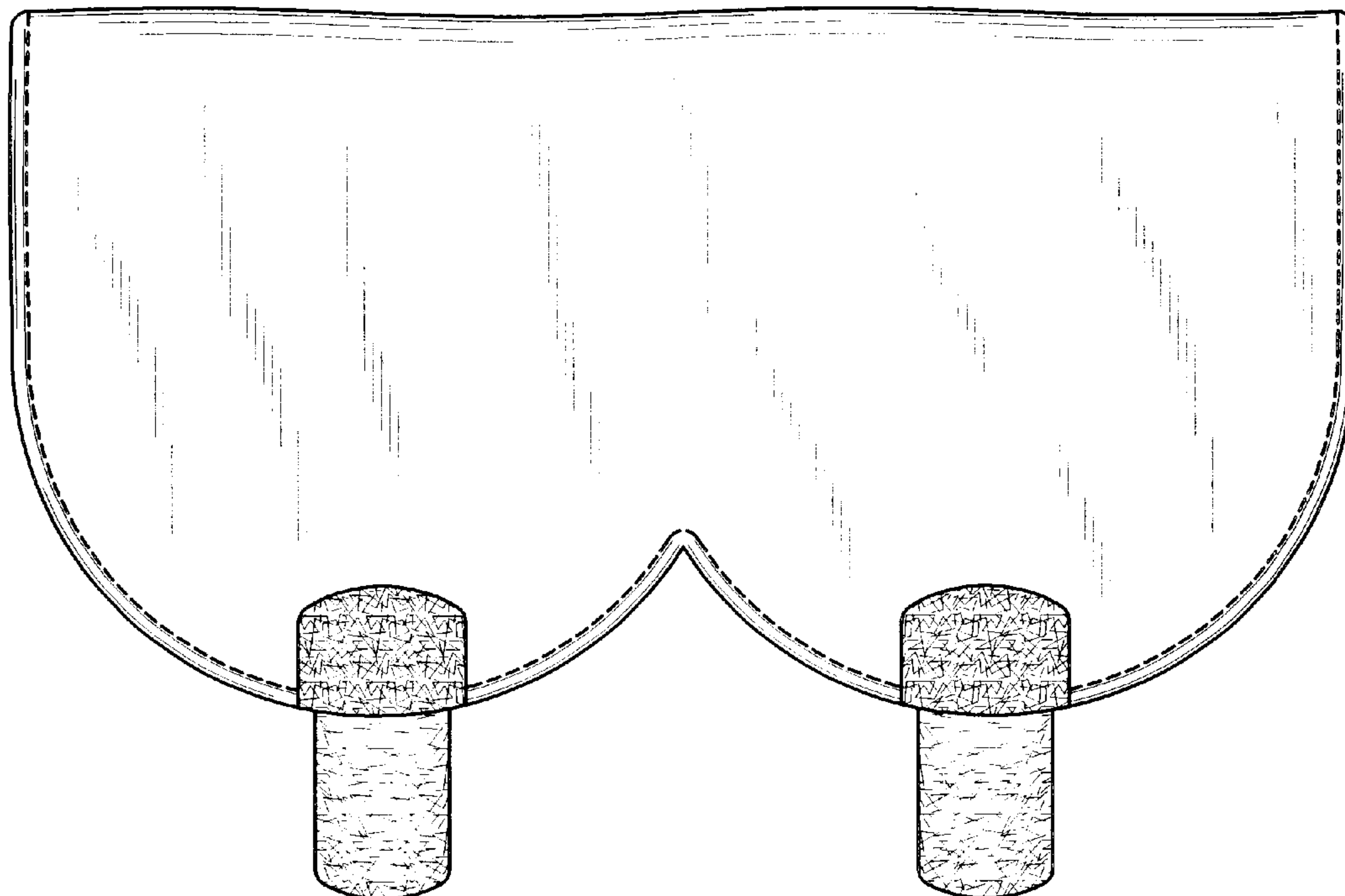


FIG. 1

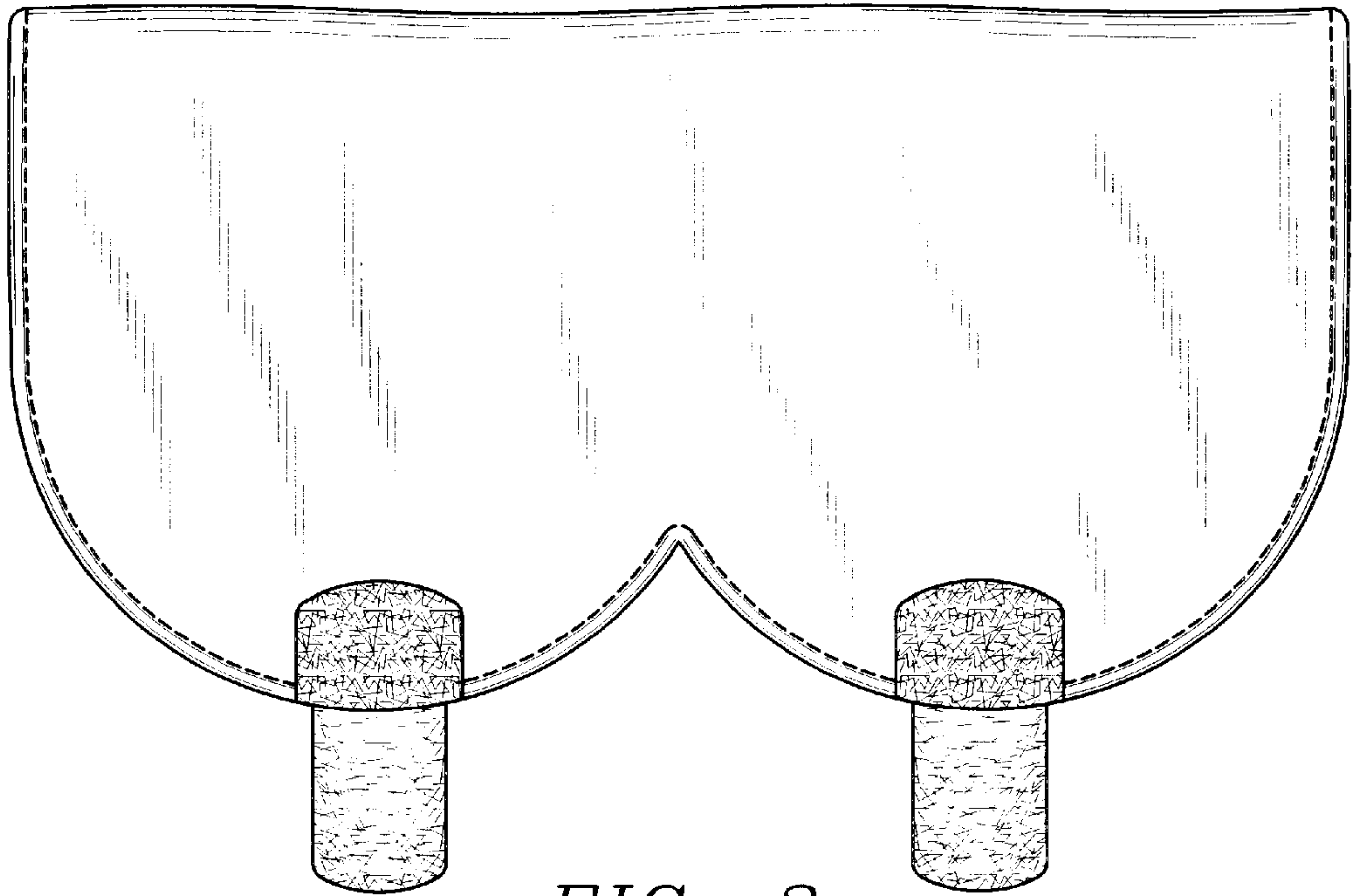


FIG. 2

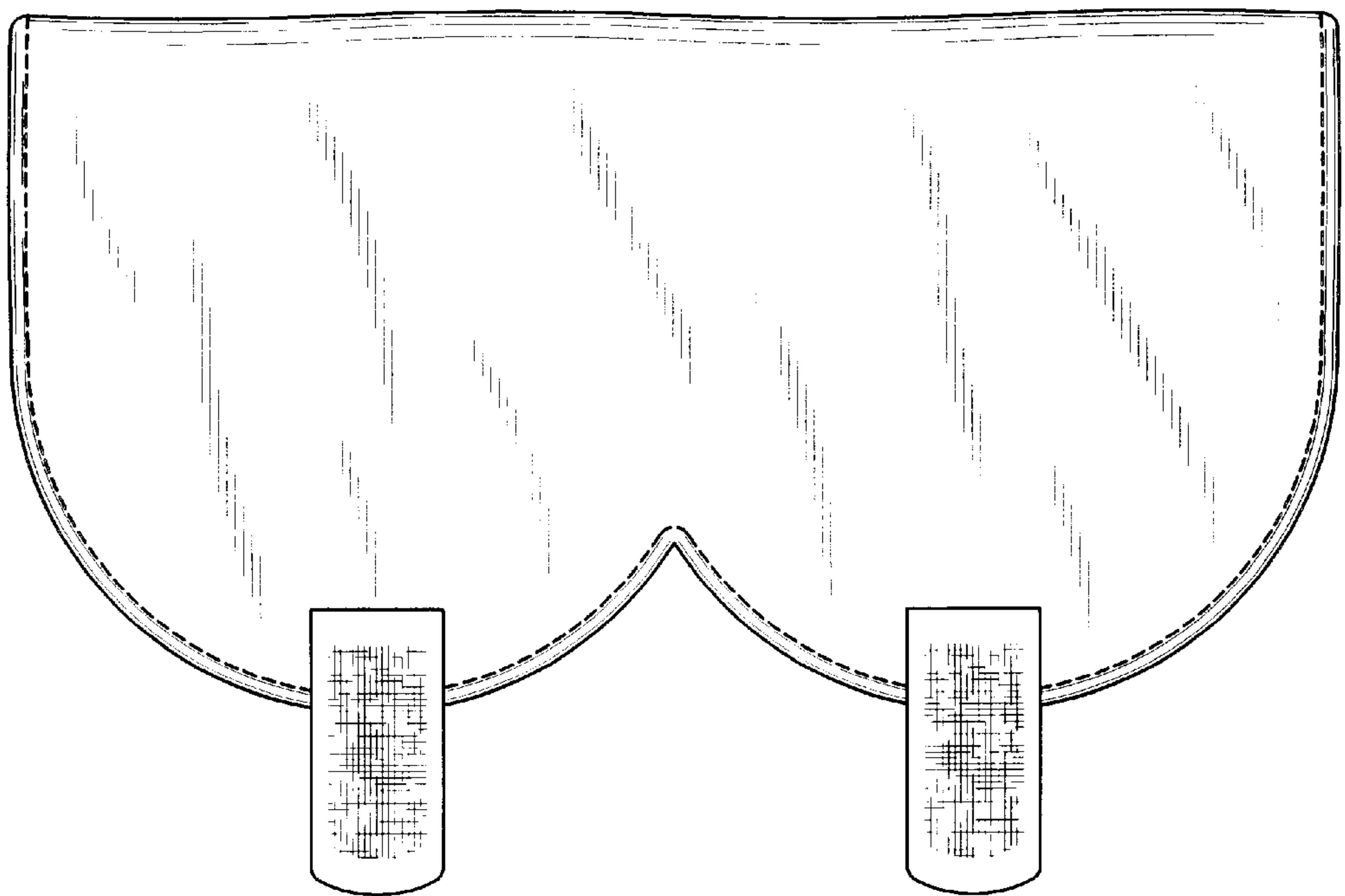


FIG. 3



FIG. 4



FIG. 5

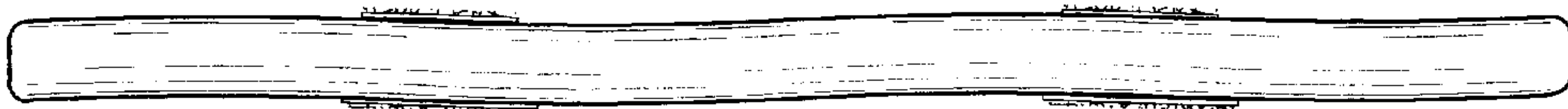


FIG. 6

