



US00D411659S

United States Patent [19] Karton

[11] Patent Number: **Des. 411,659**

[45] Date of Patent: **** Jun. 29, 1999**

[54] **MULTI-POUCH FANNY PACK**

[75] Inventor: **Gary S. Karton**, Arlington, Va.

[73] Assignee: **Armchair Enterprises, Inc.**, Chicago, Ill.

[**] Term: **14 Years**

[21] Appl. No.: **29/079,106**

[22] Filed: **Nov. 7, 1997**

[51] **LOC (6) Cl.** **03-01**

[52] **U.S. Cl.** **D3/226**

[58] **Field of Search** D3/226, 224, 215;
224/625, 664, 653, 681, 901, 904, 240,
255

[56] **References Cited**

U.S. PATENT DOCUMENTS

D. 169,025	3/1953	Arden .	
D. 238,725	2/1976	Zerobuick	D3/226
D. 333,570	3/1993	Murray .	
D. 333,729	3/1993	Hopp	D3/226
D. 334,471	4/1993	Yerby et al.	D3/226
D. 346,489	5/1994	Bean et al.	D7/709
D. 371,905	7/1996	Kopel	D3/226
1,508,724	9/1924	Rose .	
2,710,639	6/1955	Farls .	
4,515,300	5/1985	Cohen	224/151
4,923,105	5/1990	Snyder	224/240
5,048,734	9/1991	Long	224/148
5,060,835	10/1991	Payne .	
5,170,917	12/1992	Tourigny .	
5,240,156	8/1993	Sicotte et al.	224/151

5,259,541	11/1993	Reese .	
5,294,031	3/1994	Volpei et al. .	
5,374,919	12/1994	Zelka et al. .	
5,499,401	3/1996	Heinmiller	2/208

OTHER PUBLICATIONS

Fieldline—America's Premier Fishing Guide—ProGuide H₂O Fanny Pack, 1996.

Primary Examiner—Louis S. Zarfaz
Assistant Examiner—Catherine R. Oliver
Attorney, Agent, or Firm—Rockey, Milnamow & Katz, Ltd.

[57] **CLAIM**

The ornamental design for a multi-pouch fanny pack, as shown and described.

DESCRIPTION

FIG. 1 is a perspective view of a multi-pouch fanny pack showing my new design, as seen from its top, rear, and left side;

FIG. 2 is a top plan thereof;

FIG. 3 is a rear elevation thereof;

FIG. 4 is a front elevation thereof;

FIG. 5 is a left side view thereof;

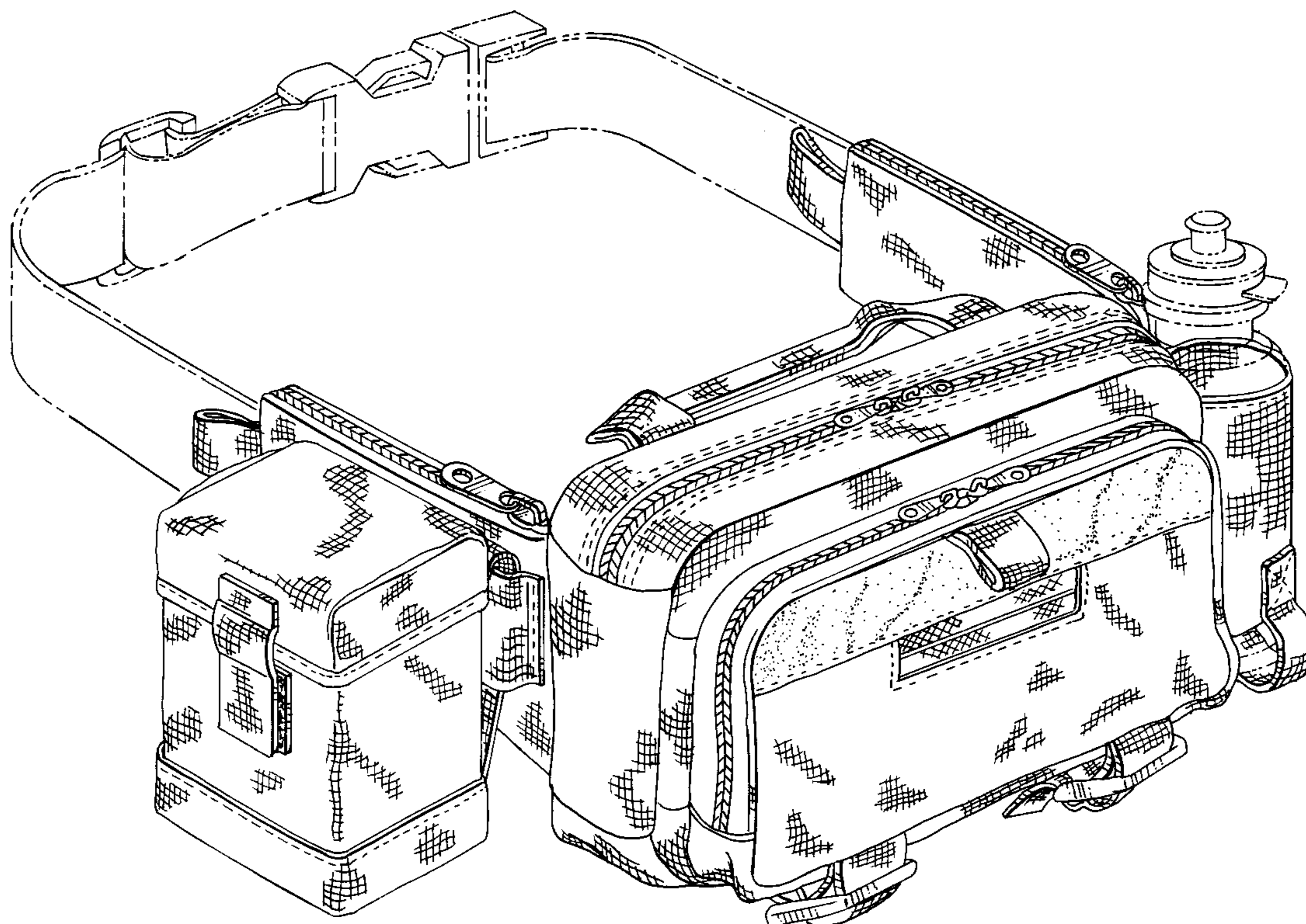
FIG. 6 is a right side view thereof; and,

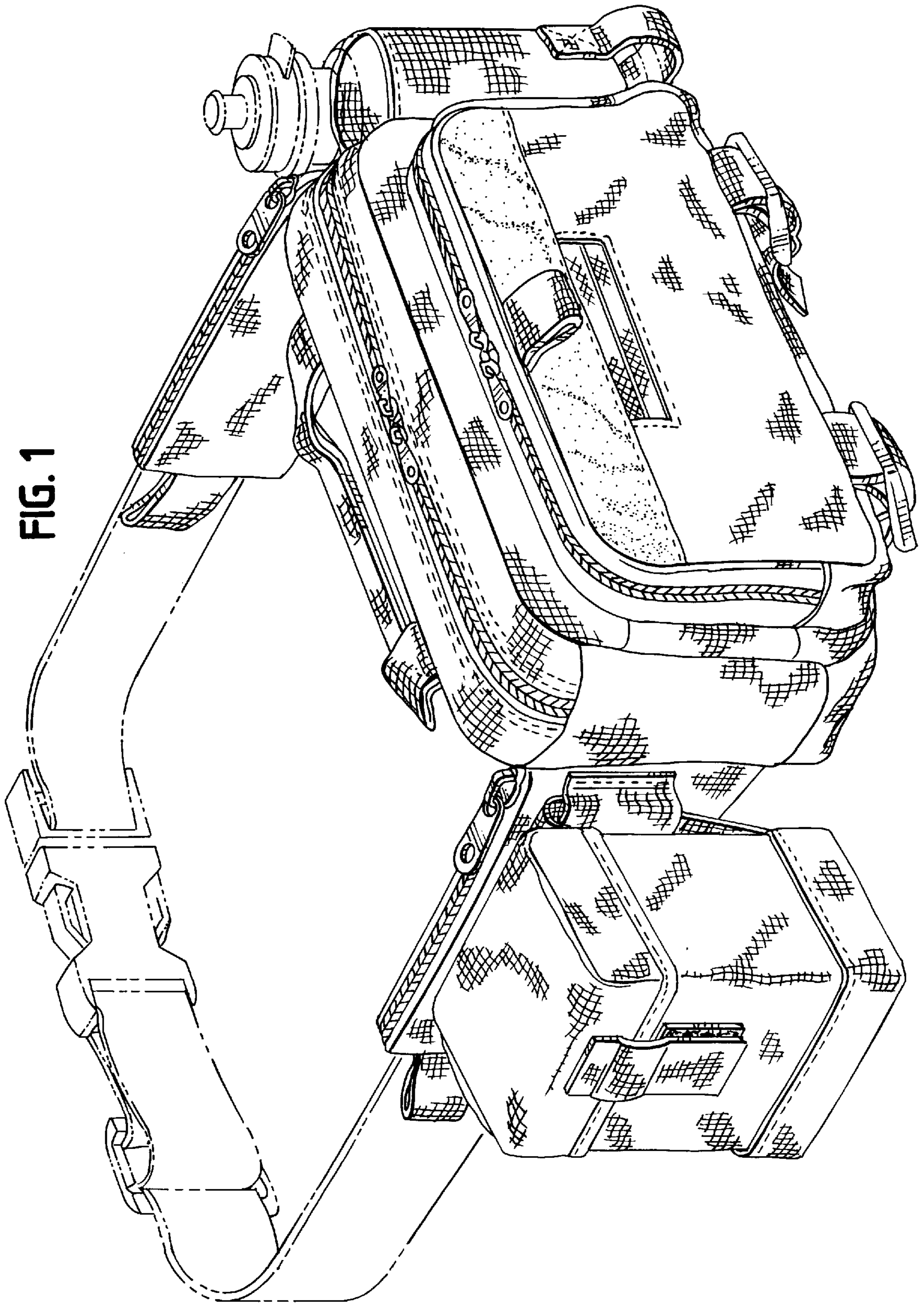
FIG. 7 is a bottom plan thereof.

Herein, references to the rear, front, left side, and right side refer to the pack as it would be normally belted onto a person.

Broken-line showings of belts, belt buckles, and a water bottle are for illustrative purposes and do not form parts of my claimed design.

1 Claim, 7 Drawing Sheets





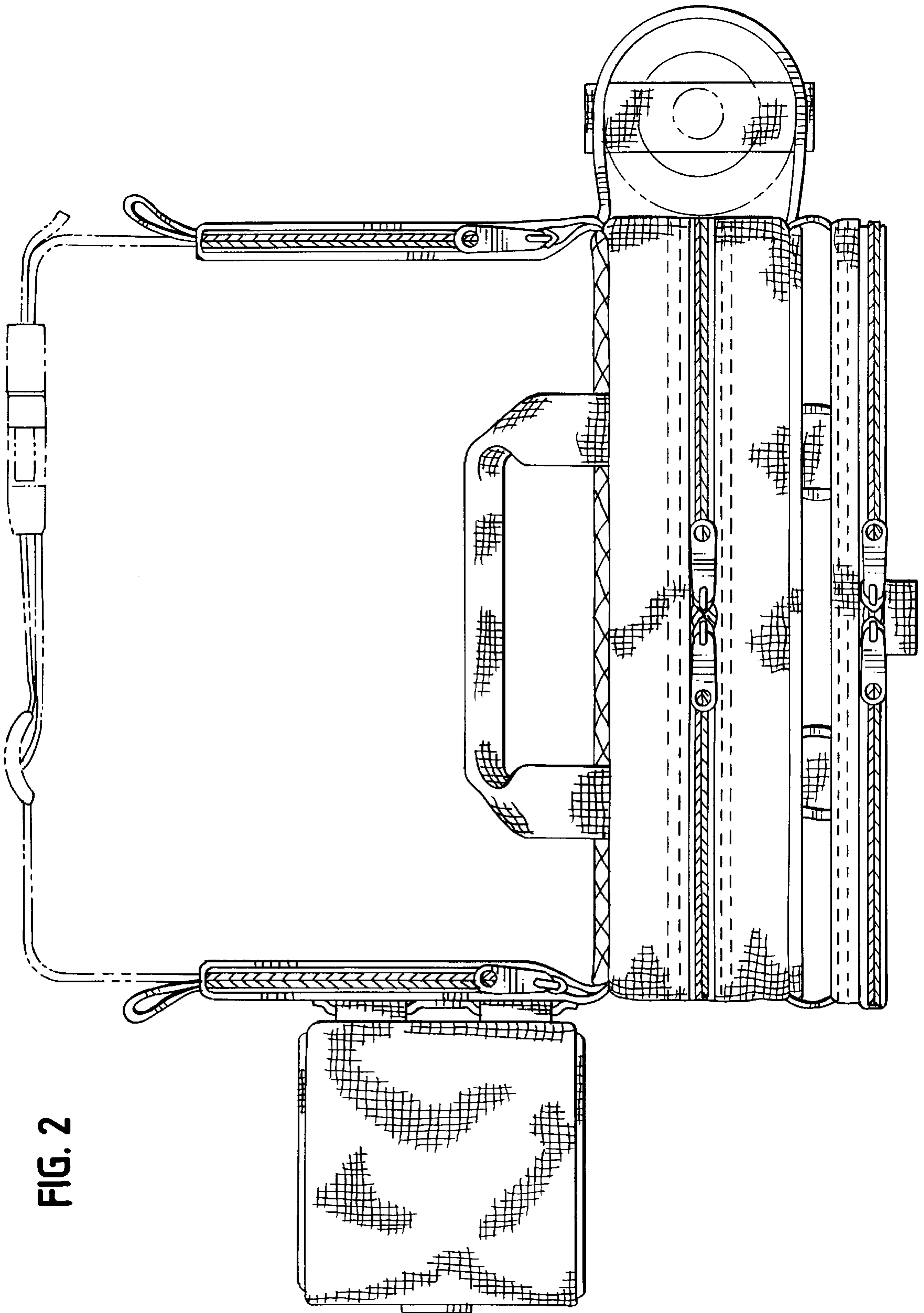


FIG. 2

FIG. 3

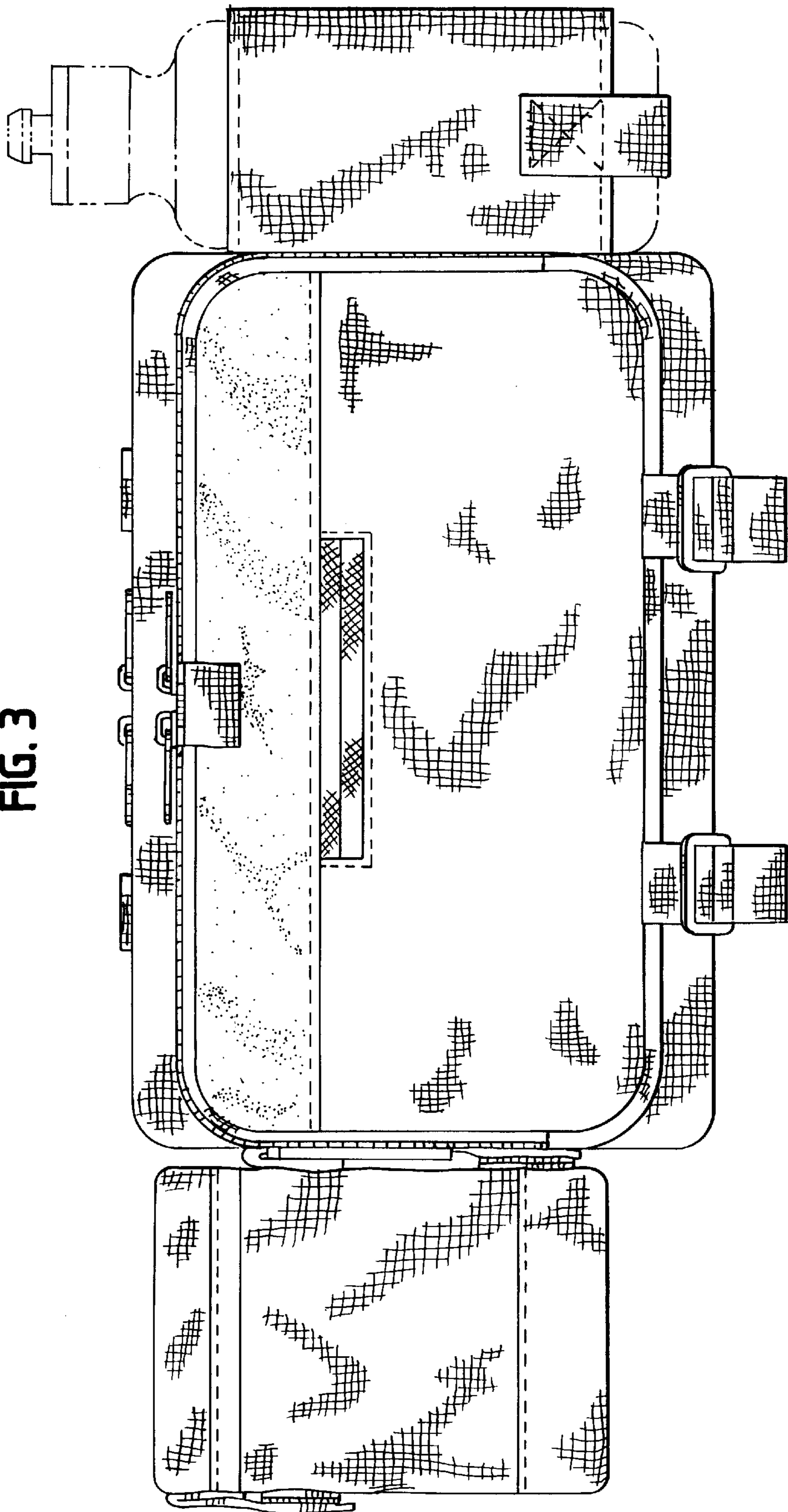


FIG. 4

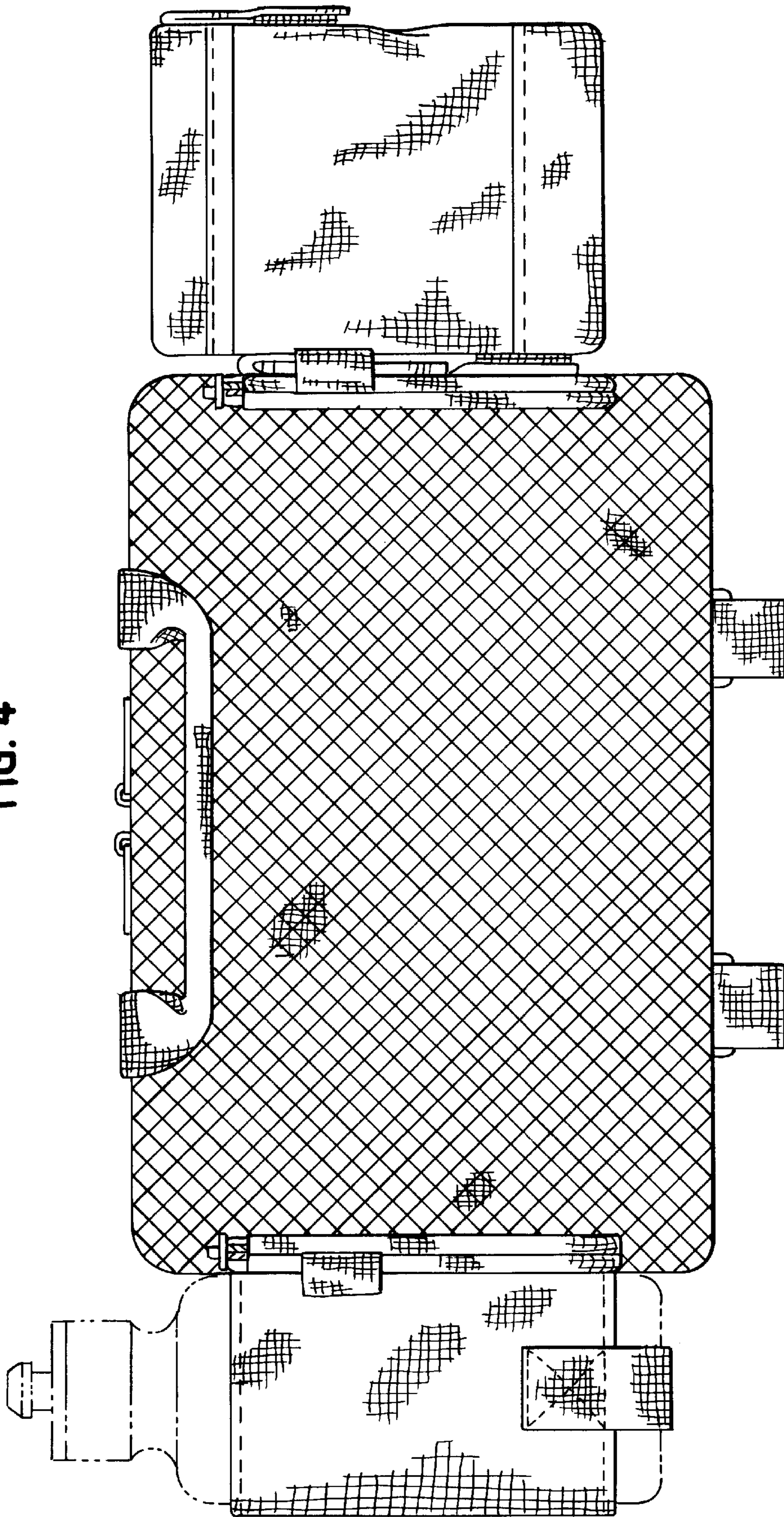


FIG. 5

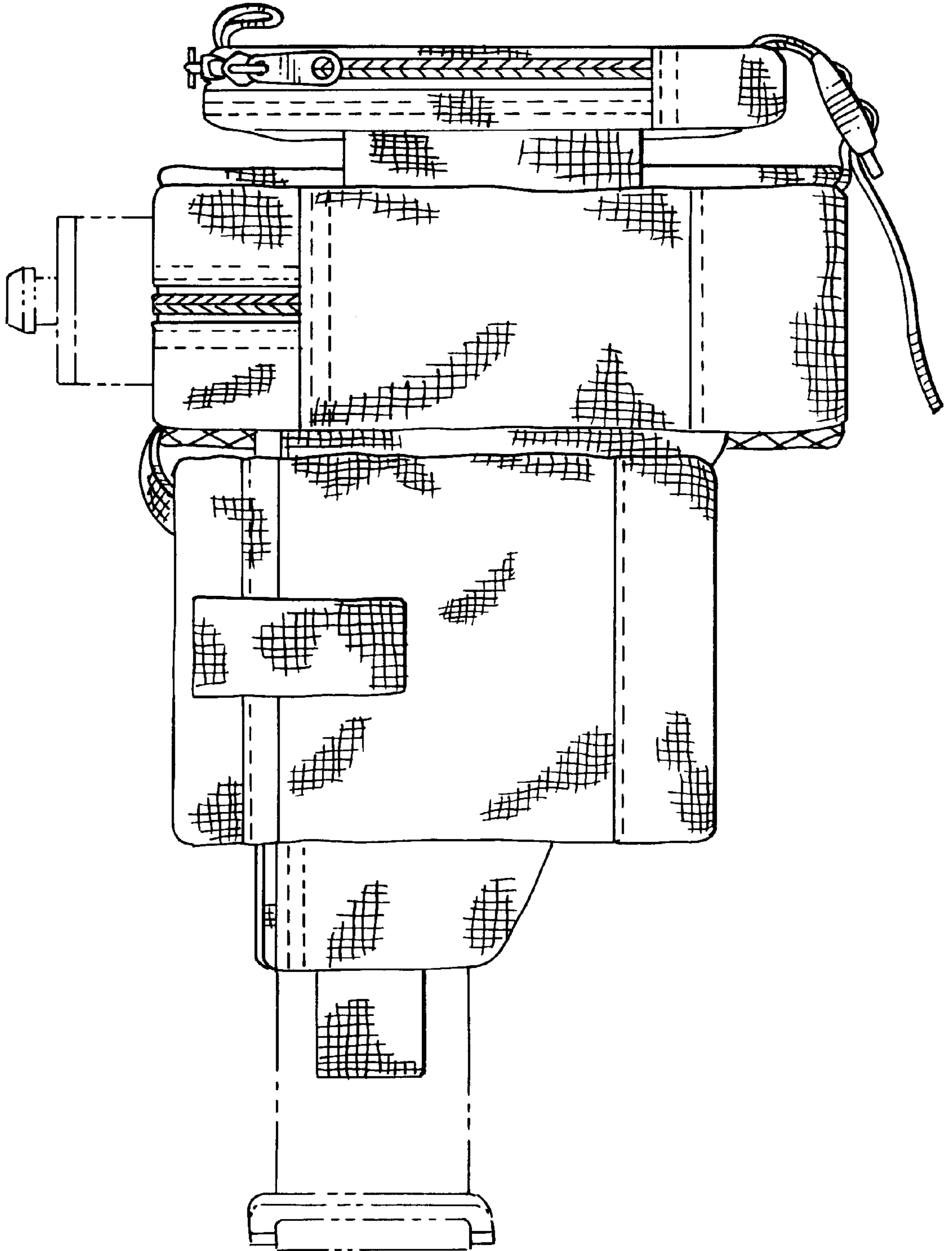


FIG. 6

