



US00D411656S

**United States Patent** [19]  
**Wasylyk**

[11] **Patent Number: Des. 411,656**  
[45] **Date of Patent: \*\* Jun. 29, 1999**

[54] **COMBINATION KEY HOLDER AND  
MINIATURE PHOTO ALBUM**

3,808,710 5/1974 Ackerman ..... 211/45  
5,467,811 11/1995 De Field ..... 206/232

[75] Inventor: **Frank H. Wasylyk**, Providence, R.I.

*Primary Examiner*—Ralf Seifert  
*Attorney, Agent, or Firm*—Salter & Michaelson

[73] Assignee: **Atlantic Coast Creations, Ltd.**,  
Providence, R.I.

[57] **CLAIM**

[\*\*] Term: **14 Years**

The ornamental design for a combination key holder and  
miniature photo album, as shown and described.

[21] Appl. No.: **29/088,842**

**DESCRIPTION**

[22] Filed: **Jun. 2, 1998**

FIG. 1 is a perspective view of a combination key holder and  
miniature photo album showing my new design;  
FIG. 2 is a right end view thereof;  
FIG. 3 is a left end view thereof;  
FIG. 4 is a top plan view thereof;  
FIG. 5 is a bottom plan view thereof;  
FIG. 6 is a left side view thereof;  
FIG. 7 is a right side view thereof; and,  
FIG. 8 is a perspective view showing the photo album in  
open position.

[51] **LOC (6) Cl.** ..... **03-01**

[52] **U.S. Cl.** ..... **D3/208**

[58] **Field of Search** ..... D3/207-212; 206/232,  
206/39.3, 37.1; 40/642, 661; 211/45; D19/1,  
2, 78, 86, 90, 35

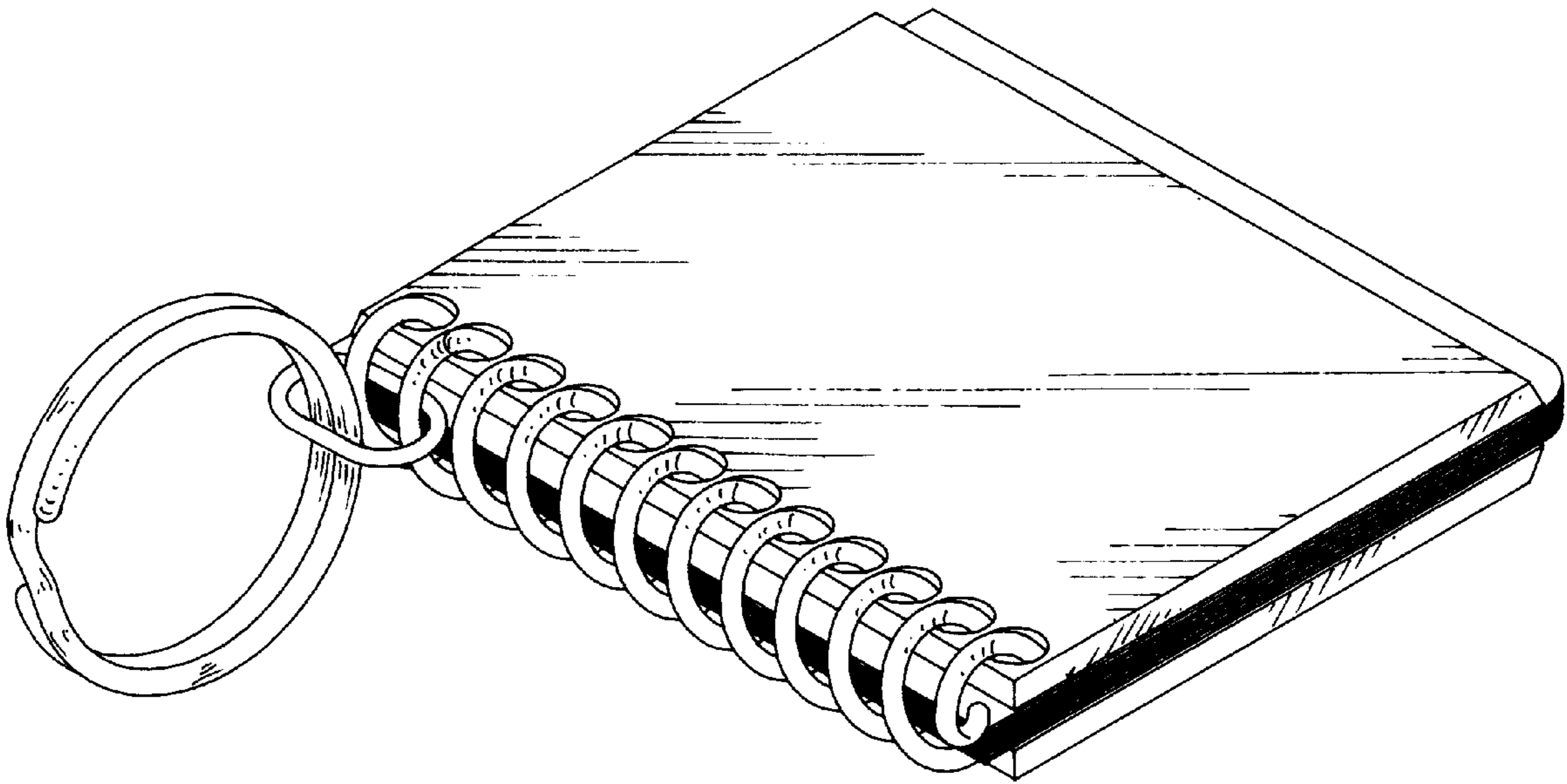
The broken lines in FIG. 8 are for information only, and  
form no part of the instant design.

[56] **References Cited**

**U.S. PATENT DOCUMENTS**

D. 300,582	4/1989	Hodge	.....	D3/208
D. 308,291	6/1990	O'Neal	.....	D3/208
D. 369,464	5/1996	Williams et al.	.....	D3/207
2,572,703	10/1951	Dennis	.....	D3/211

**1 Claim, 4 Drawing Sheets**



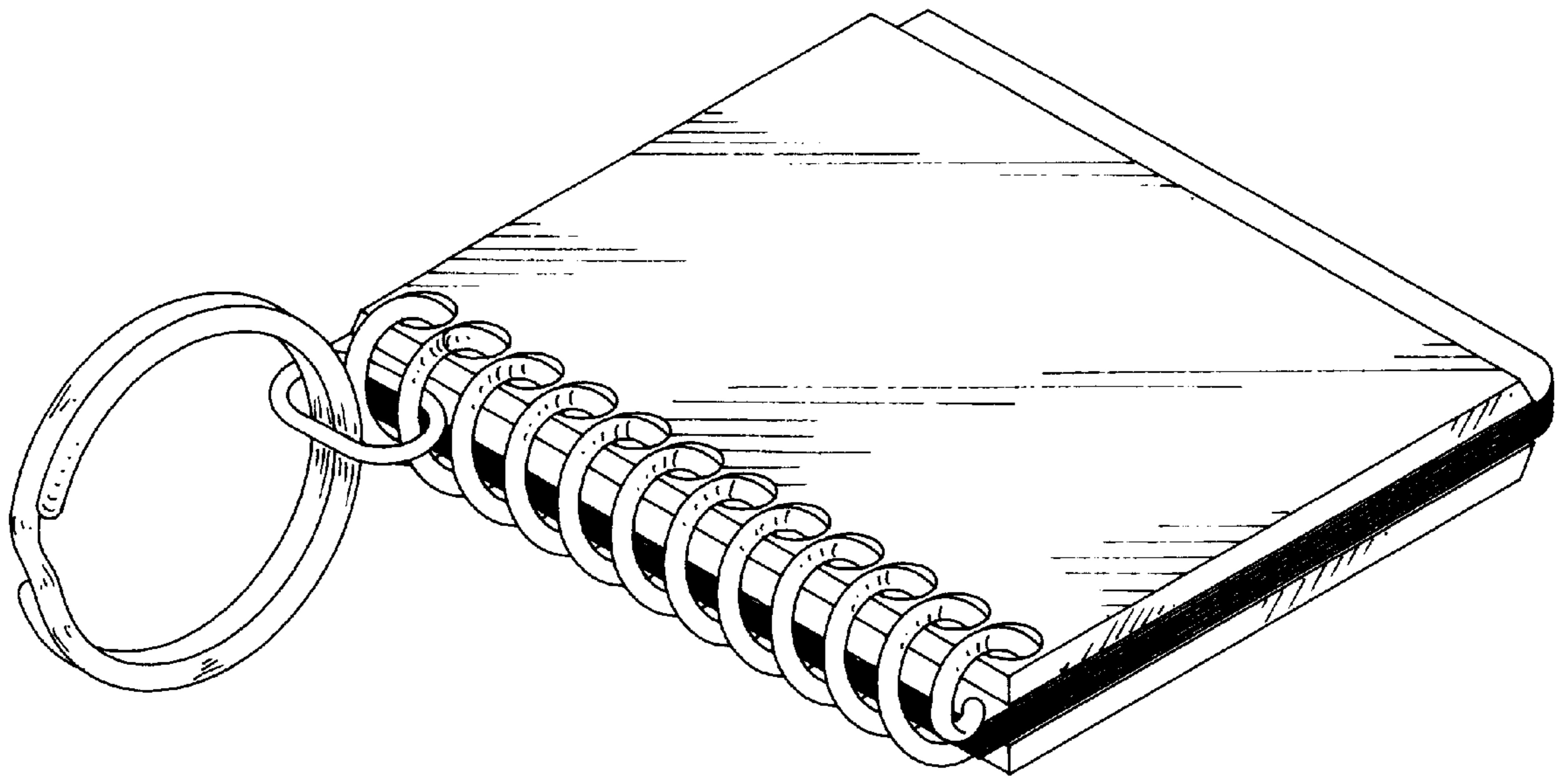


FIG. 1

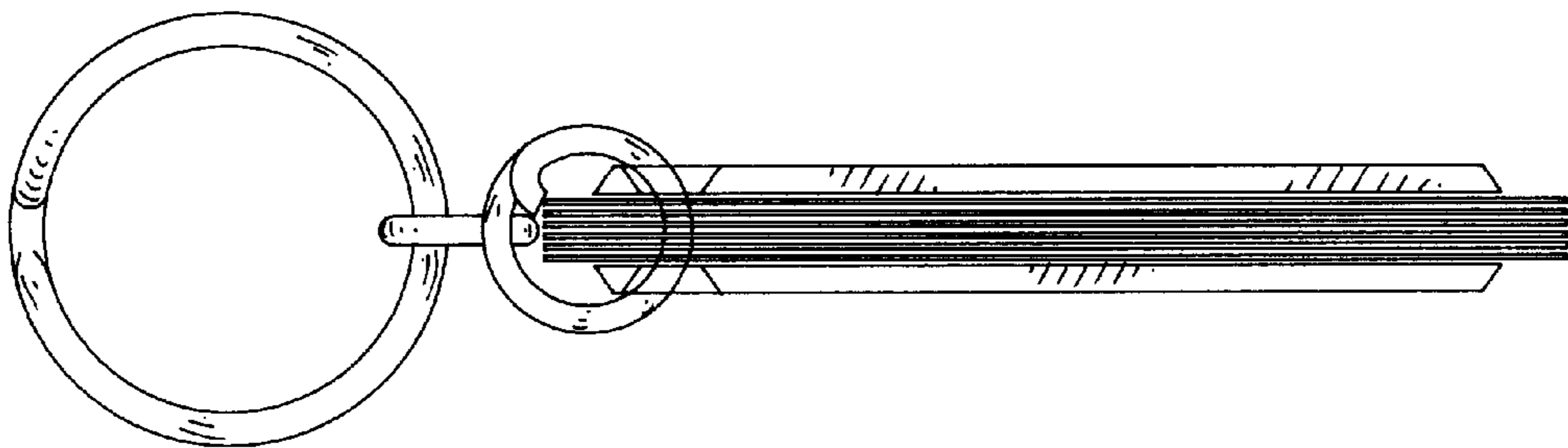


FIG. 2

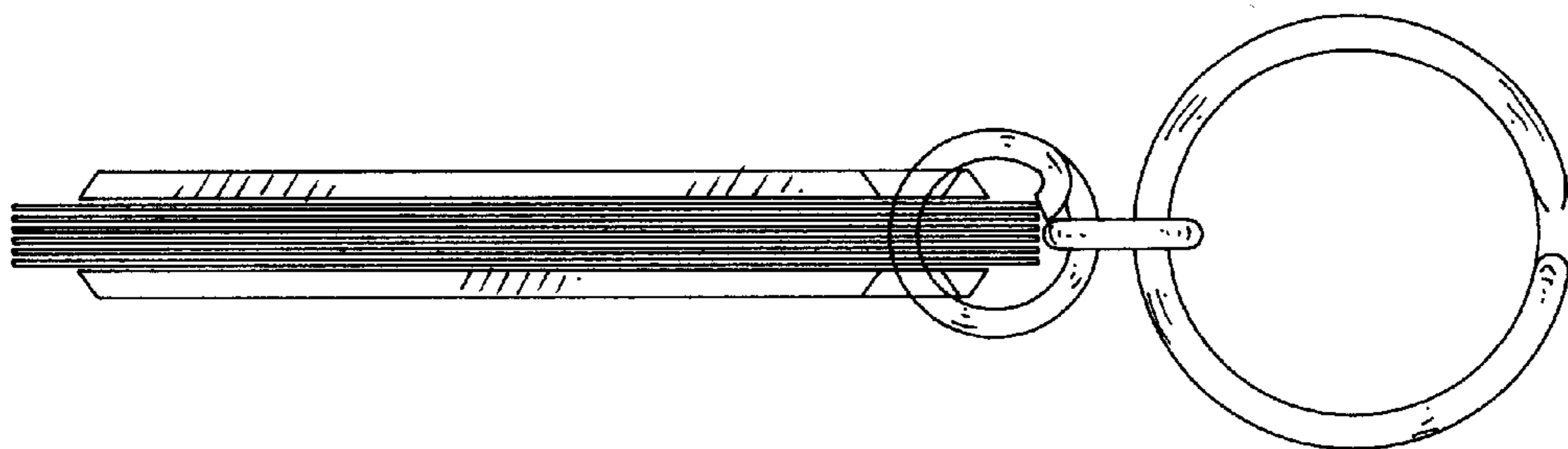


FIG. 3

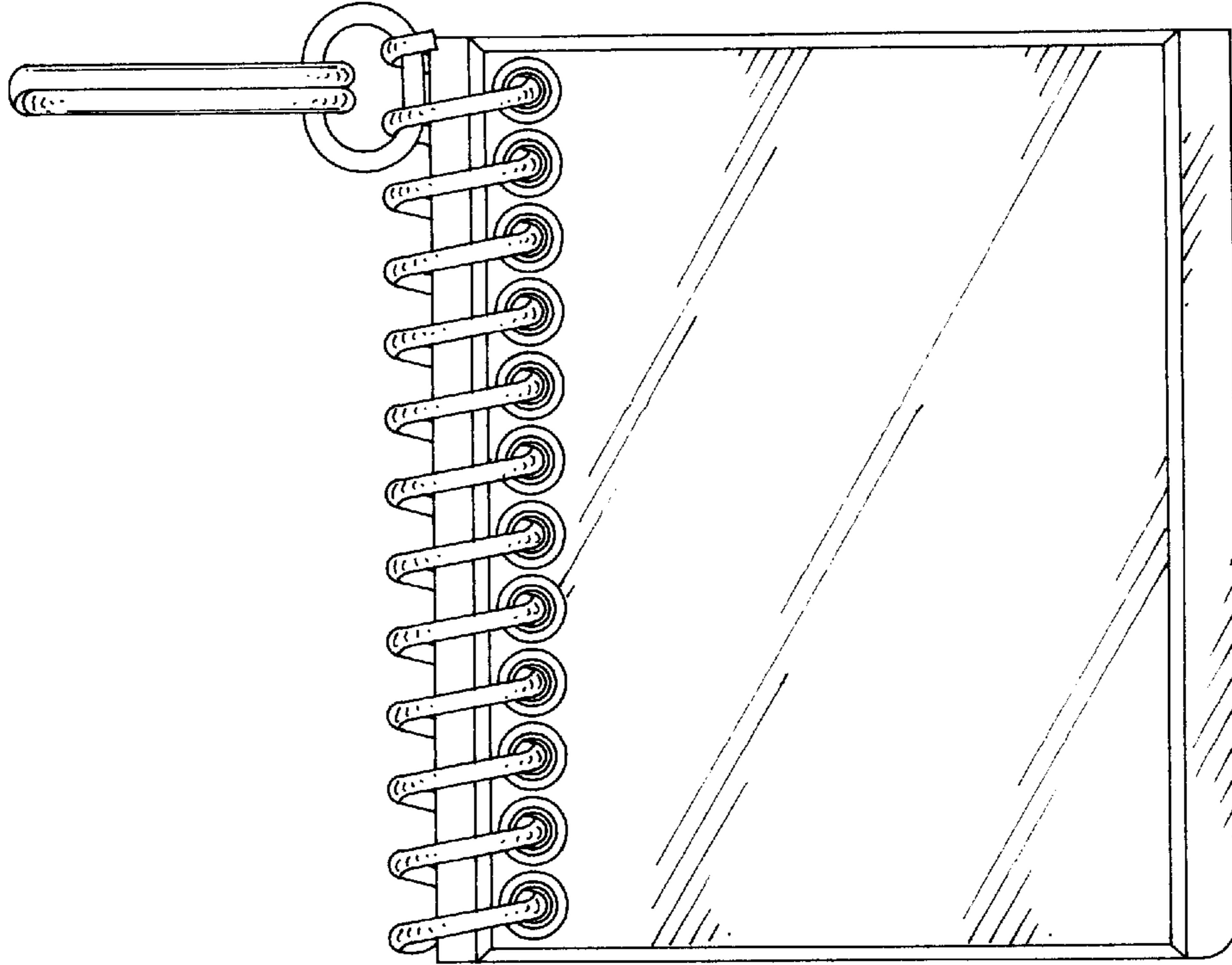


FIG. 4

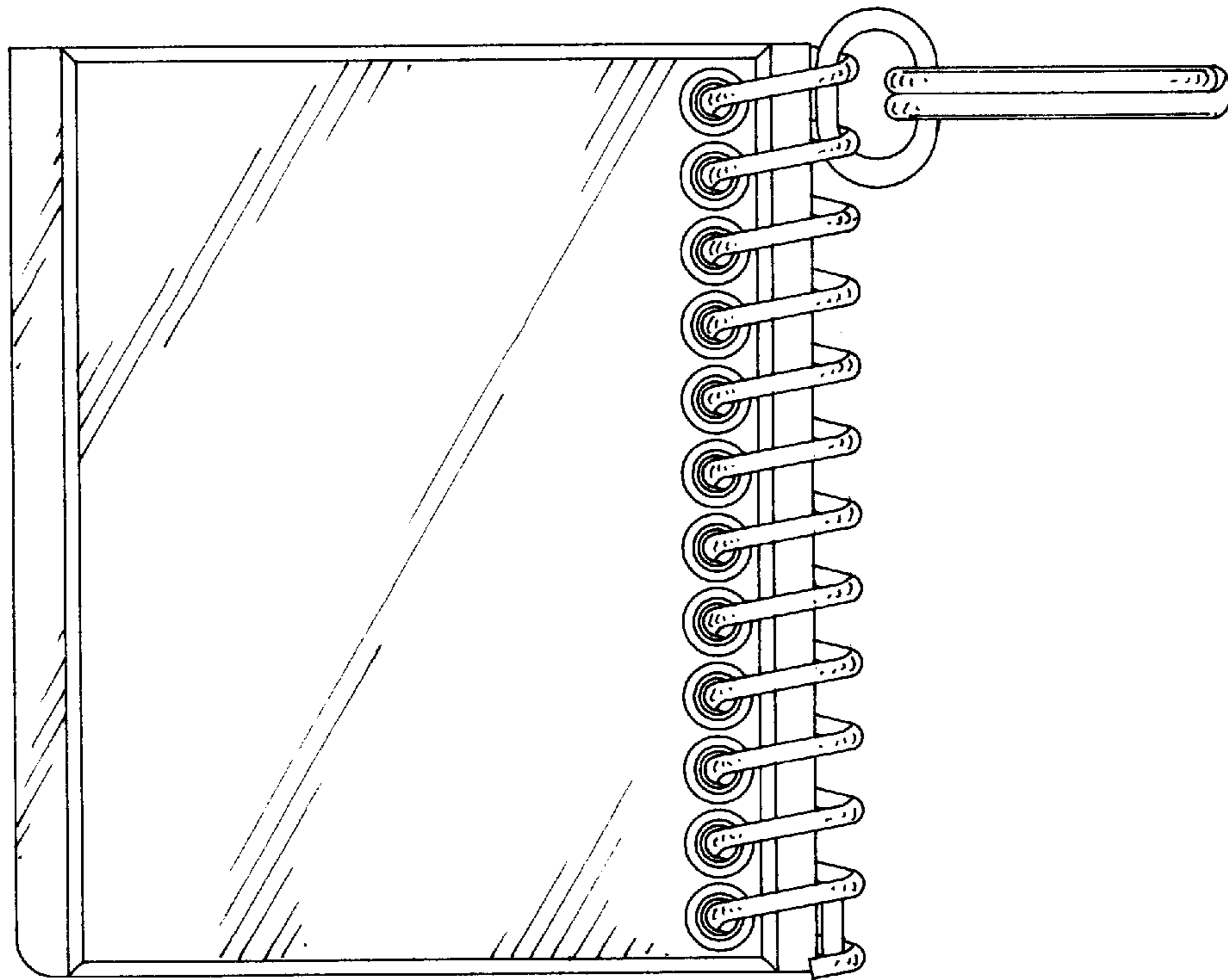


FIG. 5

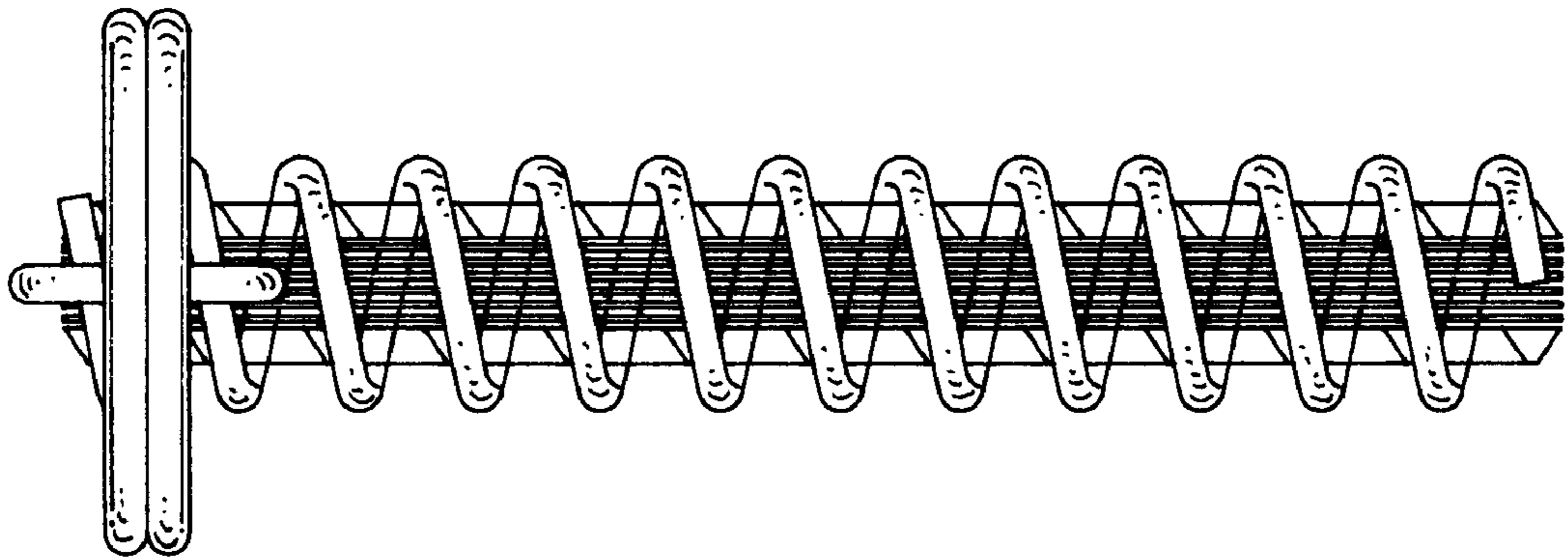


FIG. 6

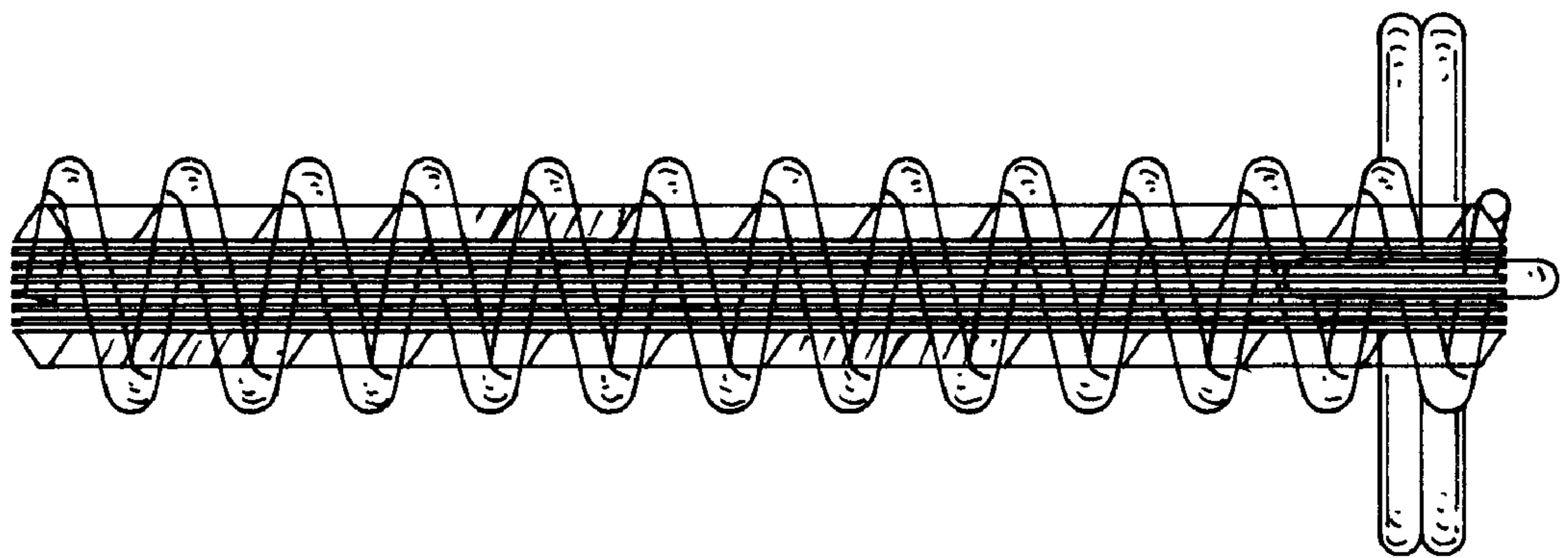


FIG. 7



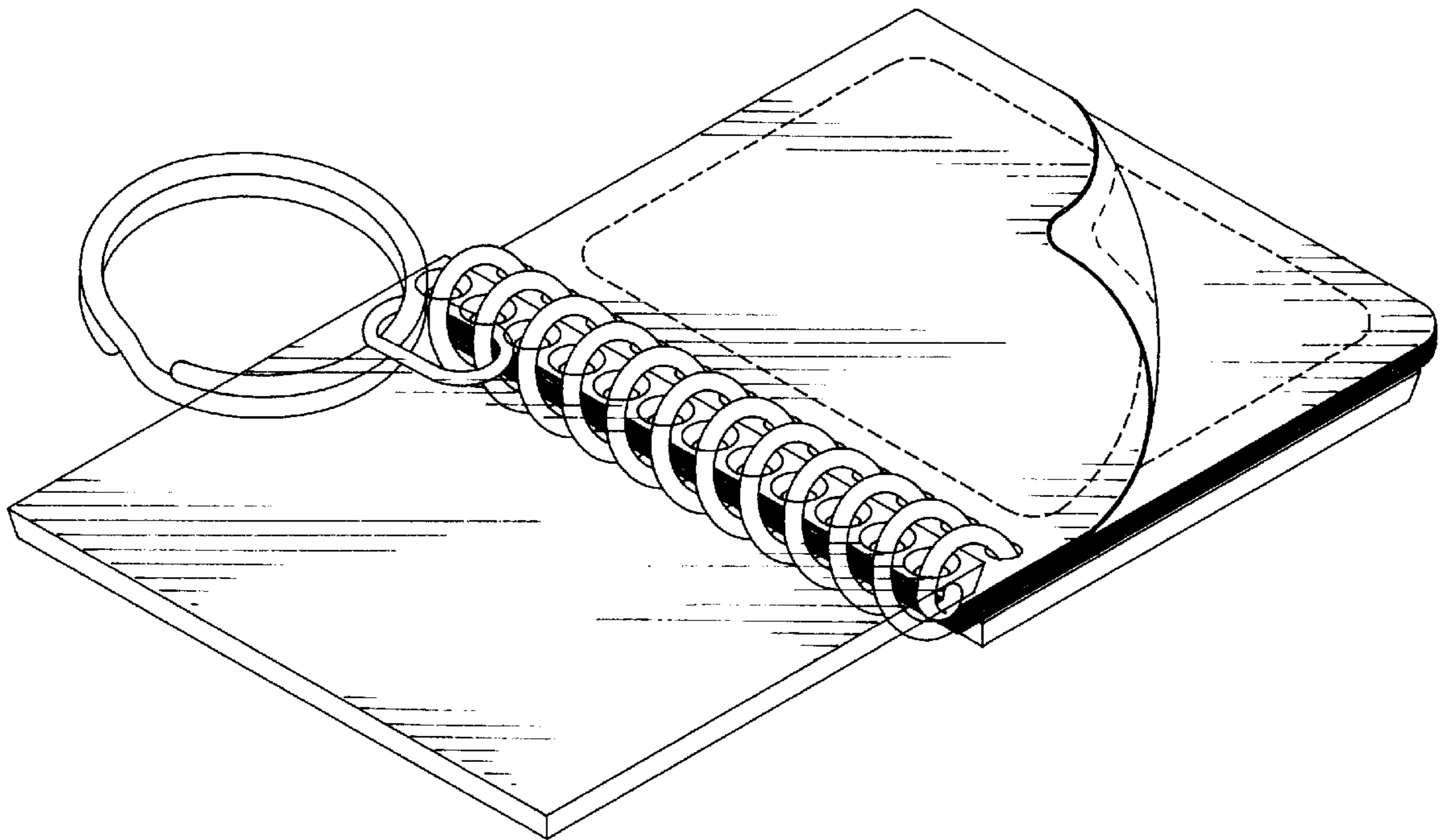


FIG. 8