



US00D411653S

# United States Patent [19]

Richey et al.

[11] Patent Number: **Des. 411,653**

[45] Date of Patent: **\*\* Jun. 29, 1999**

[54] CANE BASE

[75] Inventors: **J. B. Richey**, Chagrin Falls; **Shane Obitts**, Elyria, both of Ohio

[73] Assignee: **Invacare Corporation**, Elyria, Ohio

[\*\*] Term: **14 Years**

[21] Appl. No.: **29/071,362**

[22] Filed: **May 28, 1997**

### Related U.S. Application Data

[63] Continuation-in-part of application No. 08/743,757, Nov. 7, 1996, Pat. No. 5,794,638.

[51] **LOC (6) Cl.** ..... **03-03**

[52] **U.S. Cl.** ..... **D3/10**

[58] **Field of Search** ..... D3/7, 9, 8, 10;  
135/77, 65, 67, 82, 86, 78, 79, 80, 81,  
111

### [56] References Cited

#### U.S. PATENT DOCUMENTS

D. 290,186	6/1987	Meunchen	.....	D3/9
D. 324,945	3/1992	Pina	.....	D3/9
D. 324,946	3/1992	Karten	.....	D3/17
D. 329,538	9/1992	Rau	.....	D3/9
3,163,437	12/1964	Phillipson	.....	135/77
3,289,685	12/1966	Parker	.....	135/77
4,274,430	6/1981	Schaaf et al.	.....	135/65

4,510,957	4/1985	Frank	.....	135/65
4,601,302	7/1986	Breen et al.	.....	135/66
4,947,882	8/1990	Levasseur	.....	135/65
4,997,001	3/1991	DiCarlo	.....	135/65
5,238,013	8/1993	Battiston et al.	.....	135/75
5,390,687	2/1995	Tsai	.....	135/65
5,499,645	3/1996	Baliga	.....	135/67

### FOREIGN PATENT DOCUMENTS

1181795 2/1970 United Kingdom .

*Primary Examiner*—Louis S. Zarfaz  
*Assistant Examiner*—Catherine R. Oliver  
*Attorney, Agent, or Firm*—Hudak & Shunk Co., L.P.A.

### [57] CLAIM

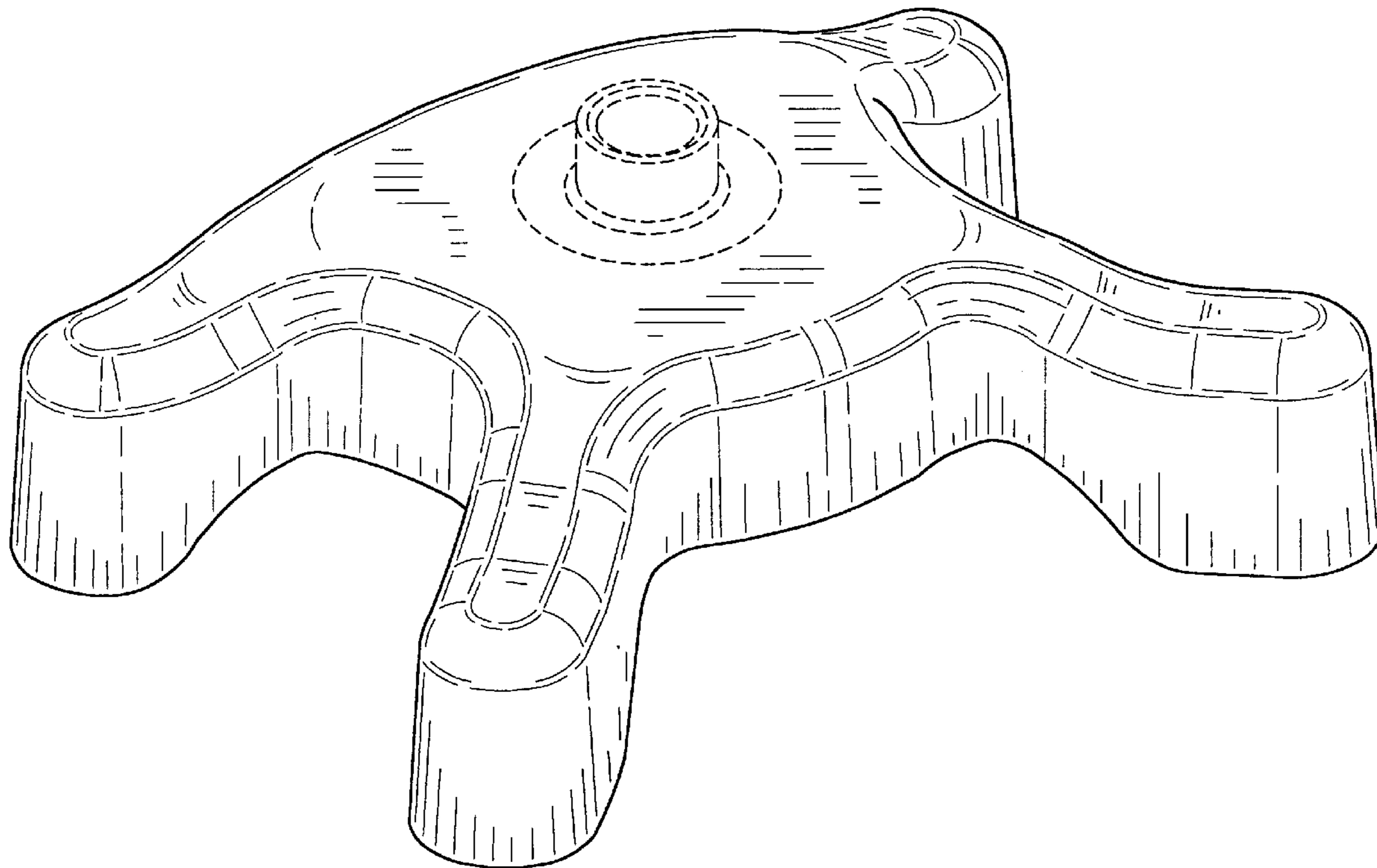
The ornamental design for a cane base, as shown and described.

### DESCRIPTION

FIG. 1 is a perspective view of a cane base showing my new design;  
FIG. 2 is a front elevational view thereof;  
FIG. 3 is a right side elevational view thereof, the left-side elevational view being a mirror image thereof;  
FIG. 4 is a rear elevational view thereof;  
FIG. 5 is a top plan view thereof; and,  
FIG. 6 is a bottom view thereof.

Any broken line showing is for illustrative purposes only and forms no part of the claimed design.

**1 Claim, 4 Drawing Sheets**



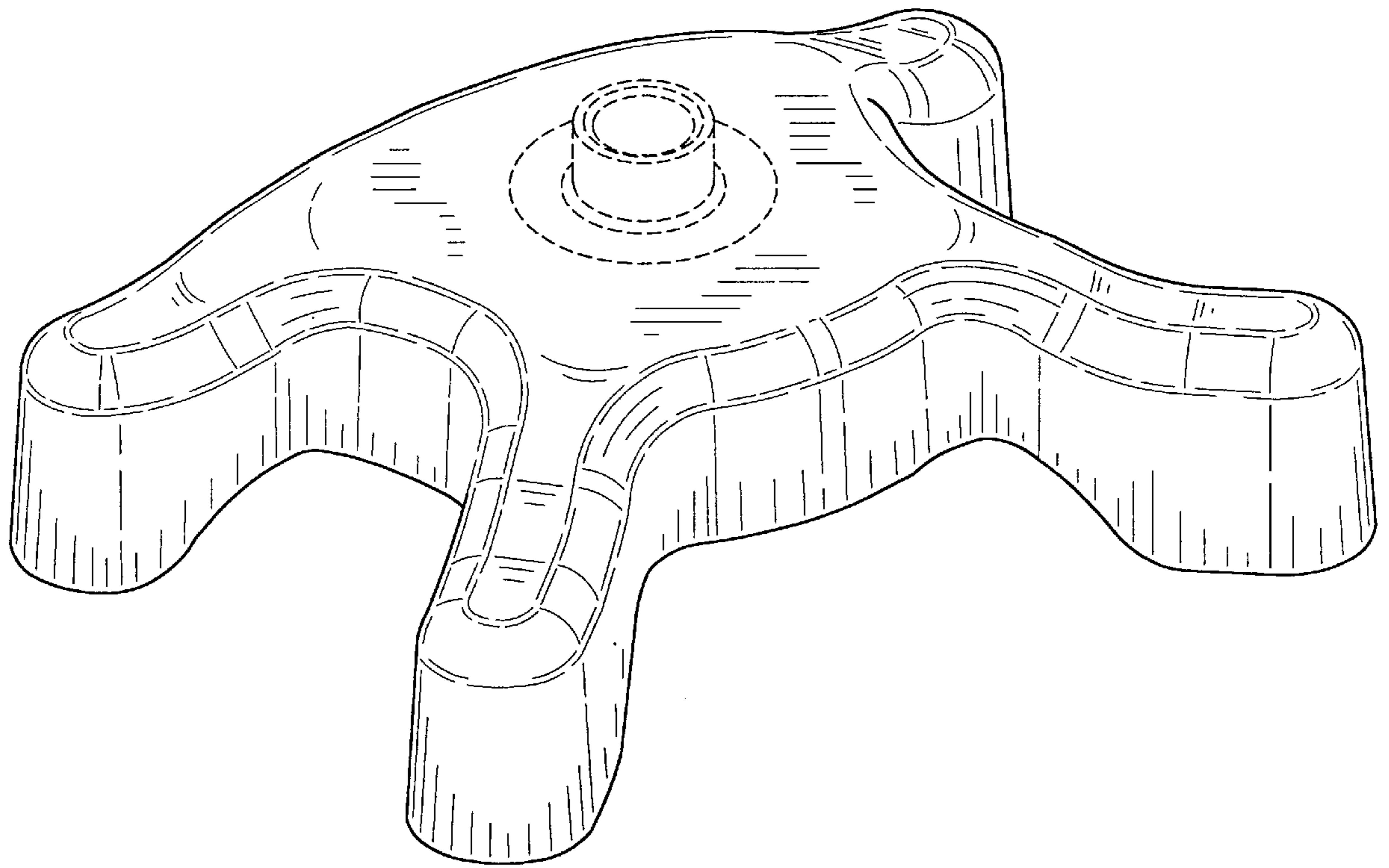


FIG-1

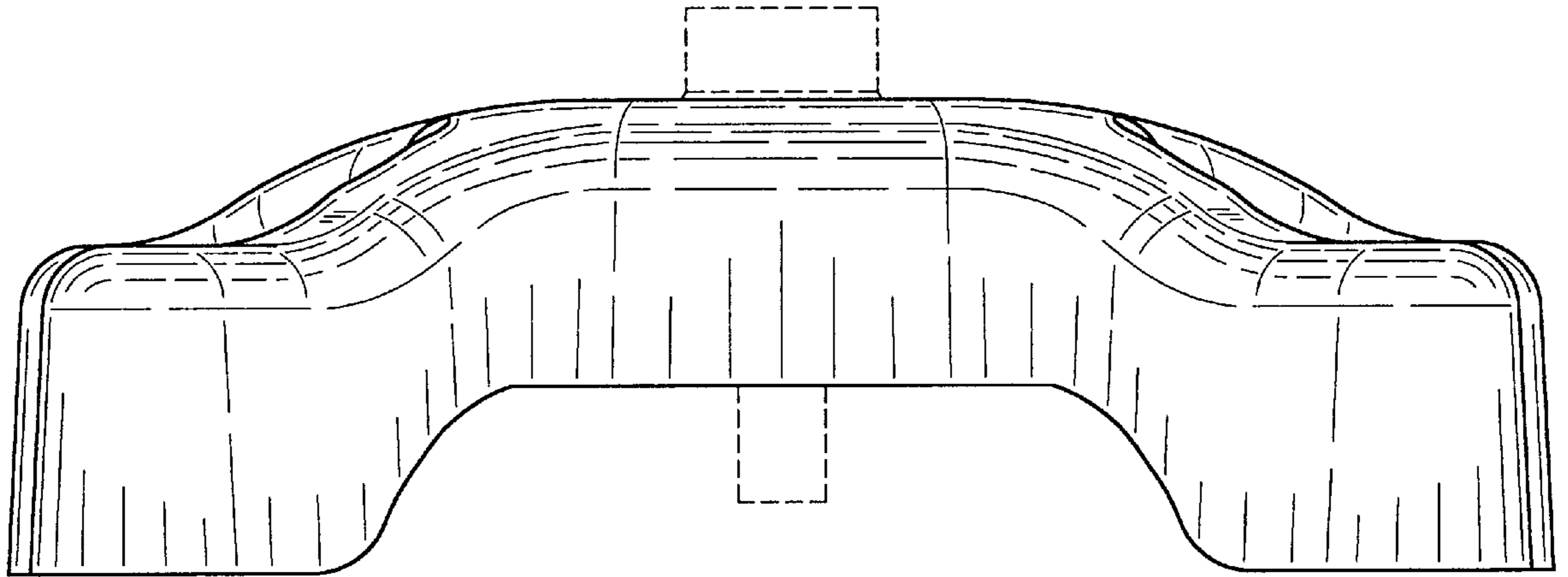


FIG-2

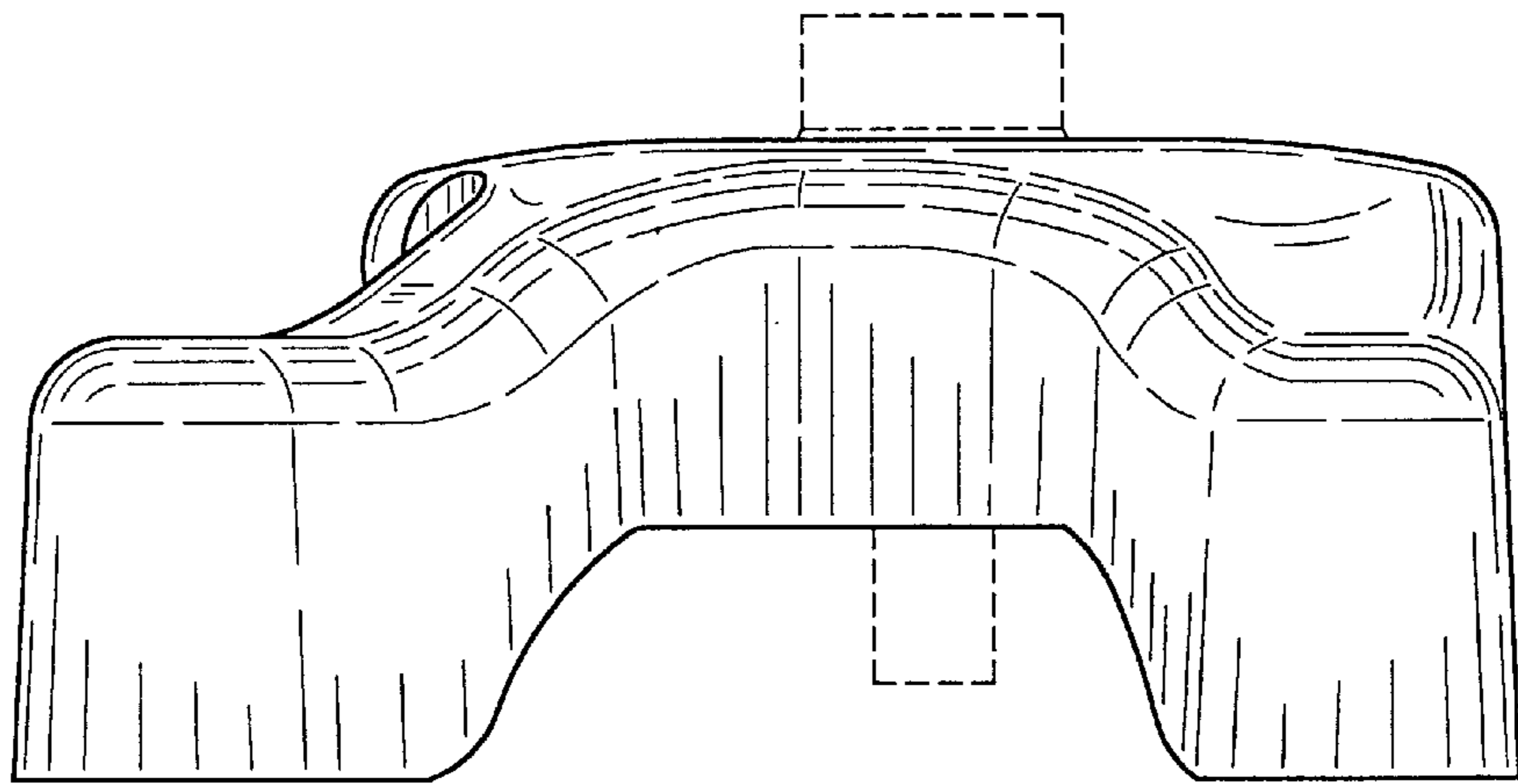


FIG-3

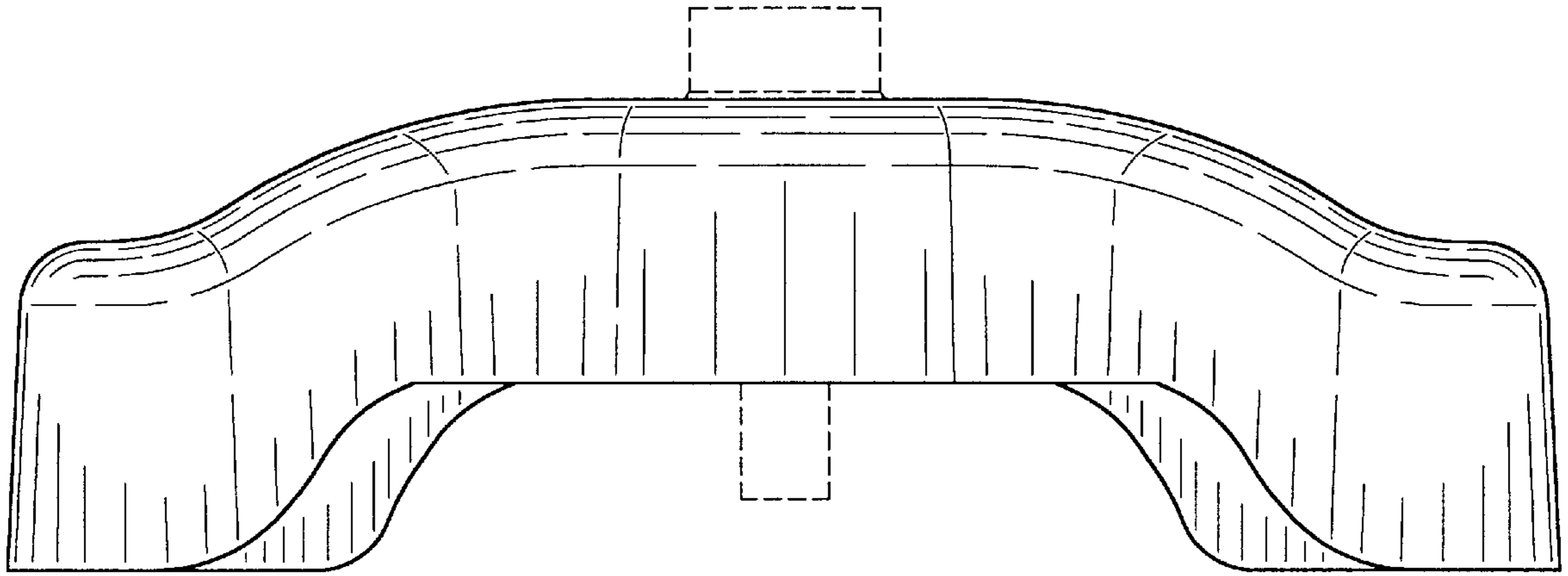


FIG-4

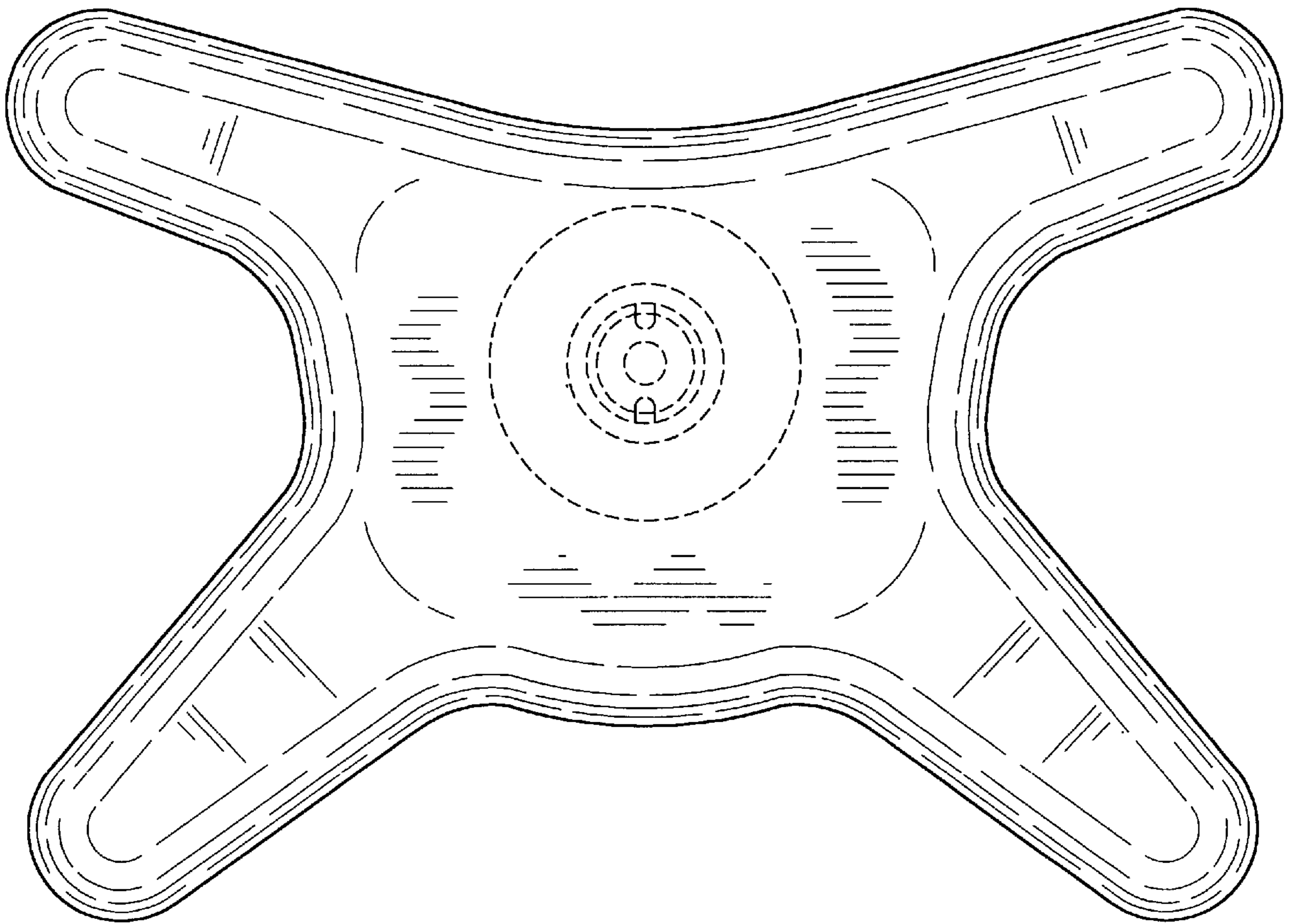


FIG-5

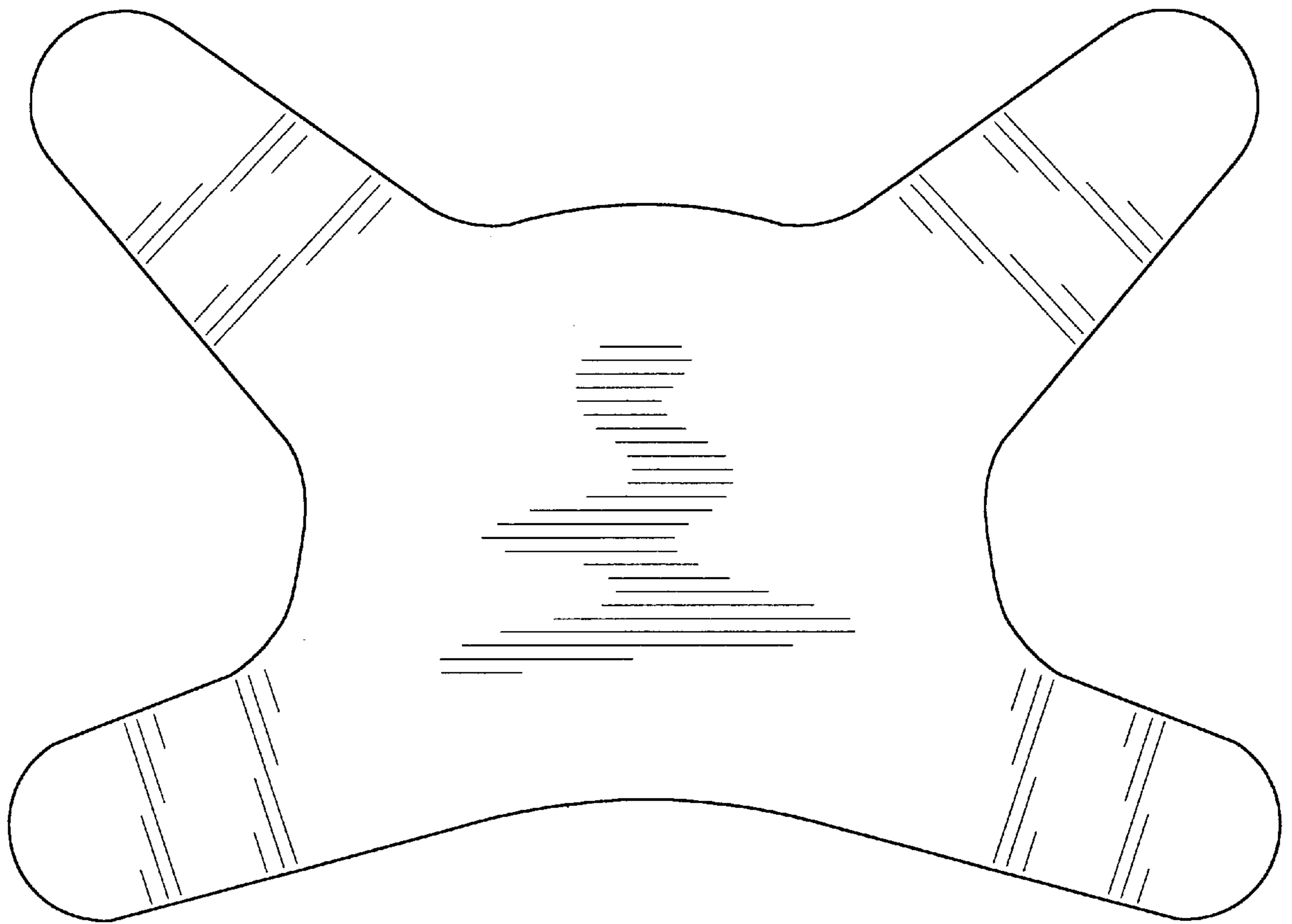


FIG-6