



US00D411652S

United States Patent [19] Tseng

[11] Patent Number: Des. 411,652

[45] Date of Patent: ** Jun. 29, 1999

[54] SUNSHADE

[75] Inventor: Chuen-Jong Tseng, Chiayi Hsien, Taiwan

[73] Assignee: Shin Yen Enterprise Co., Ltd., Chiayi Hsien, Taiwan

[**] Term: 14 Years

[21] Appl. No.: 29/092,879

[22] Filed: Aug. 28, 1998

[51] LOC (6) Cl. 03-03

[52] U.S. Cl. D3/6

[58] Field of Search D3/5, 6; 135/15.1, 135/16, 20.3

[56] **References Cited**

U.S. PATENT DOCUMENTS

D. 324,943	3/1992	Wu	D3/6
D. 325,296	4/1992	Wu	D3/6
5,158,102	10/1992	Lemcke	135/16

OTHER PUBLICATIONS

Hong Kong Enterprise, Umbrella w/Stars, p. 677, 6/94, Dec. 17, 1998.

Primary Examiner—Louis S. Zarfes
Assistant Examiner—Catherine R. Oliver
Attorney, Agent, or Firm—Ladas & Parry

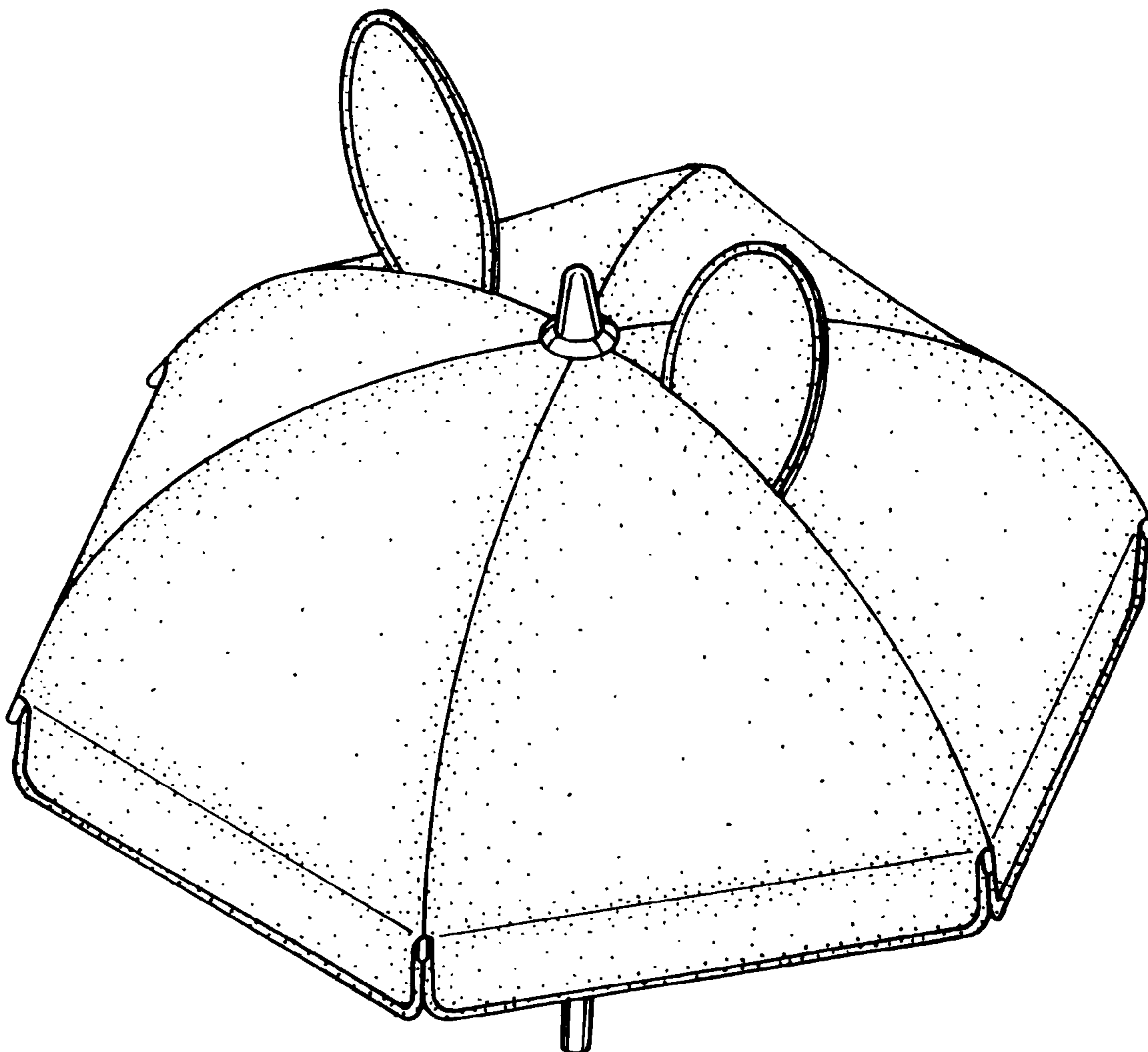
[57] **CLAIM**

The ornamental design for sunshade, as shown and described.

DESCRIPTION

FIG. 1 is a perspective view of sunshade showing my new design;
FIG. 2 is a front elevational view thereof;
FIG. 3 is a rear elevational view thereof;
FIG. 4 is a left side elevational view thereof;
FIG. 5 is a right side elevational view thereof;
FIG. 6 is a top plan view thereof; and,
FIG. 7 is a bottom plan view thereof.

1 Claim, 4 Drawing Sheets



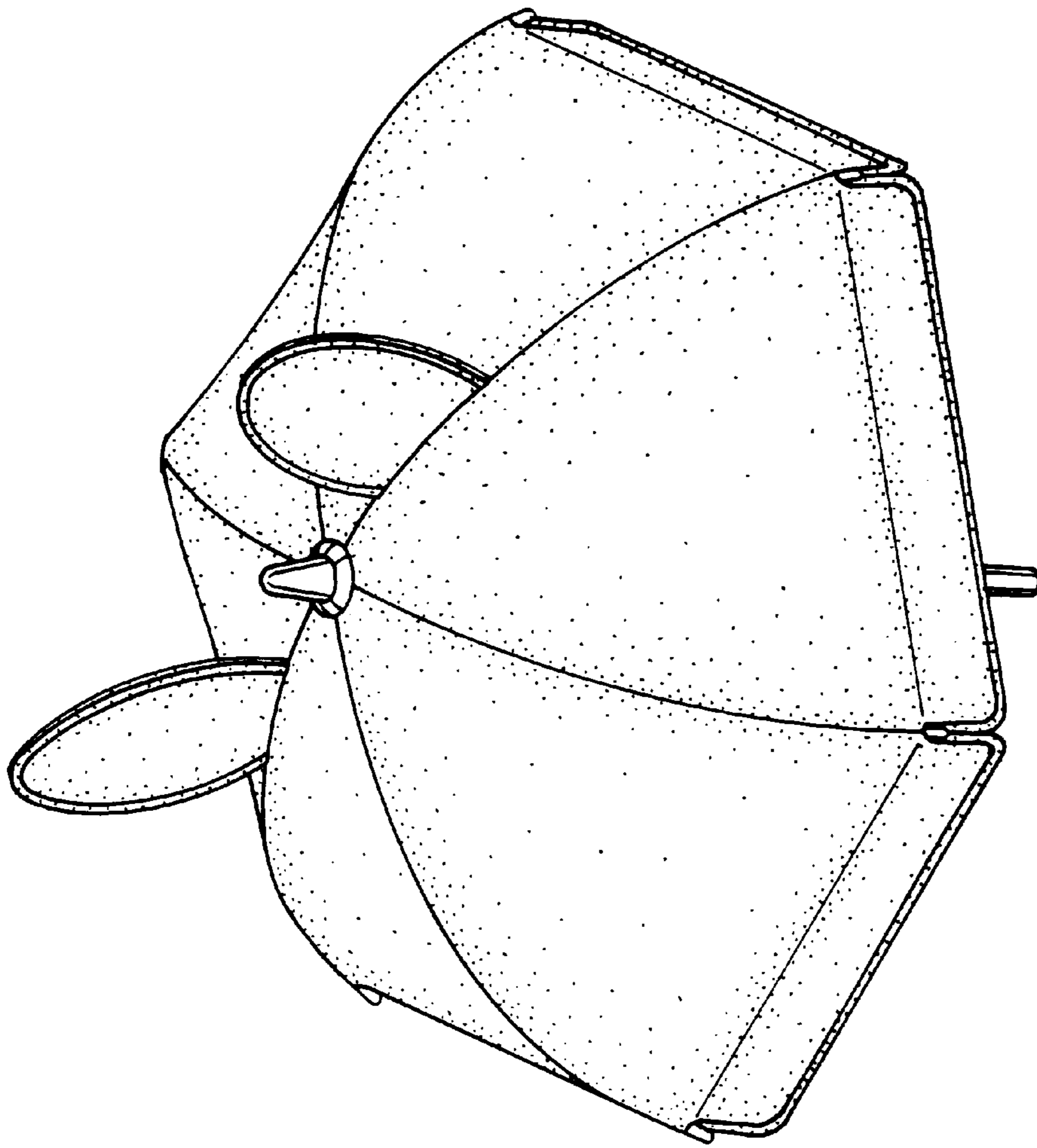


FIG. 1

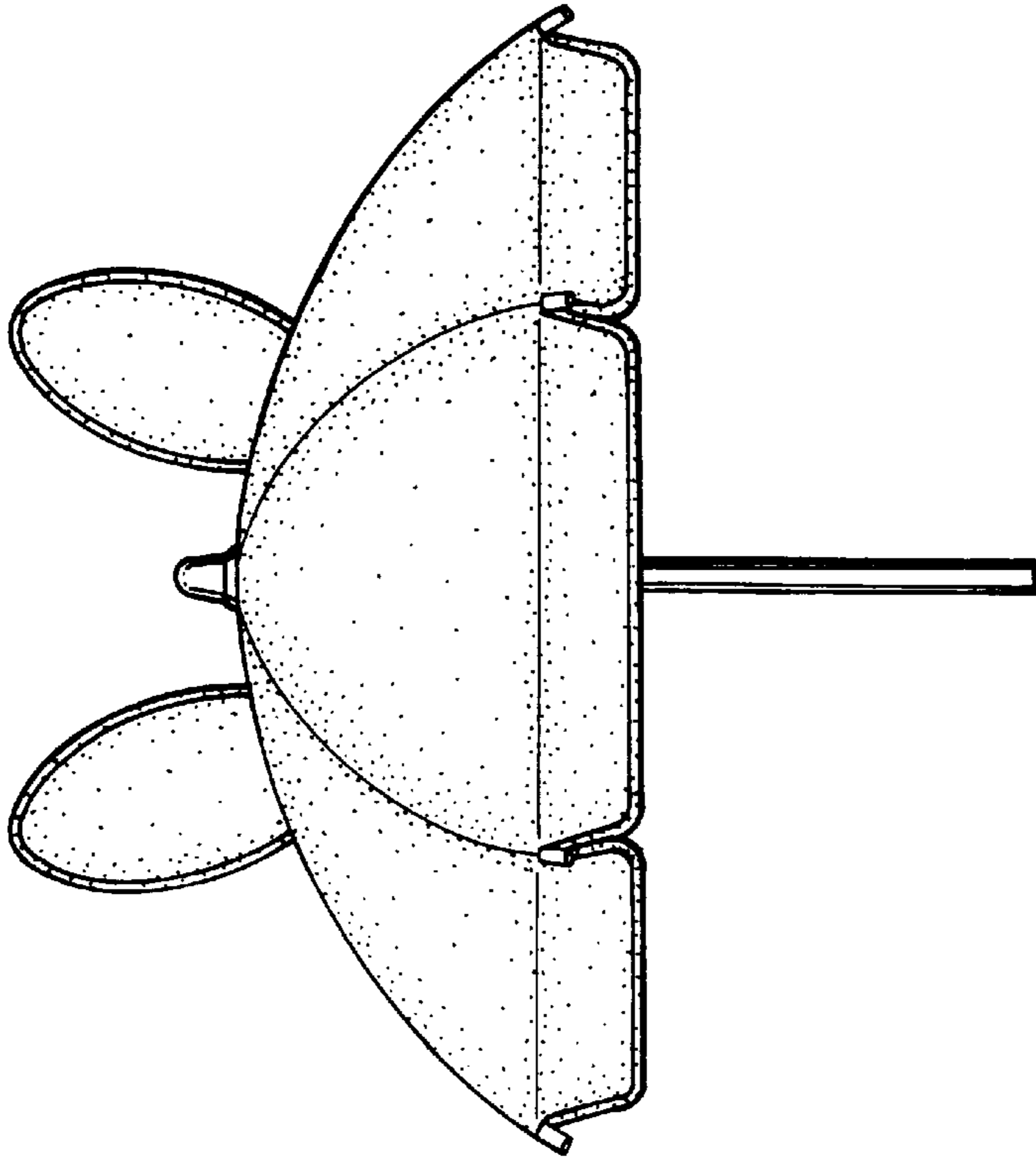


FIG. 3

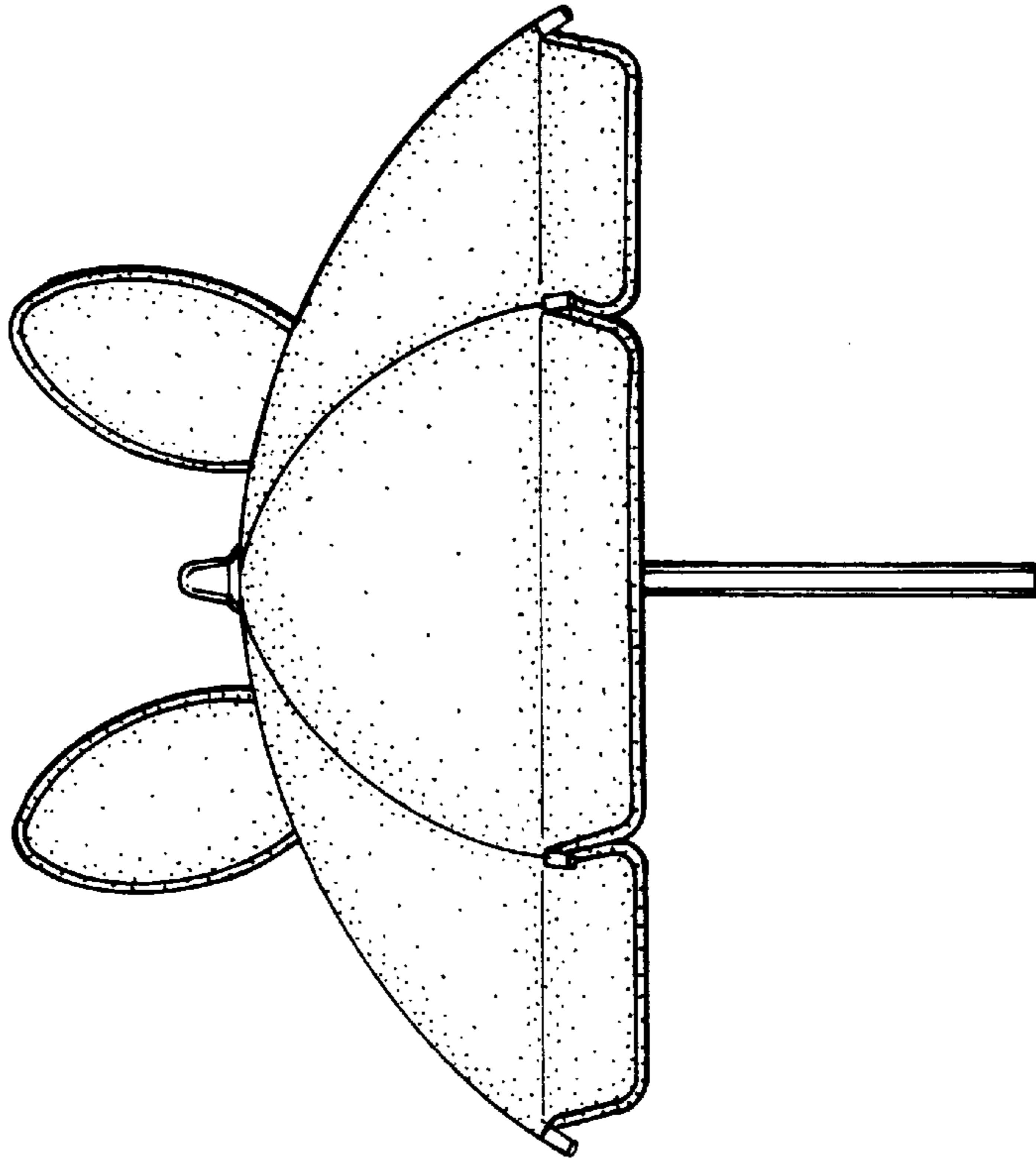


FIG. 2

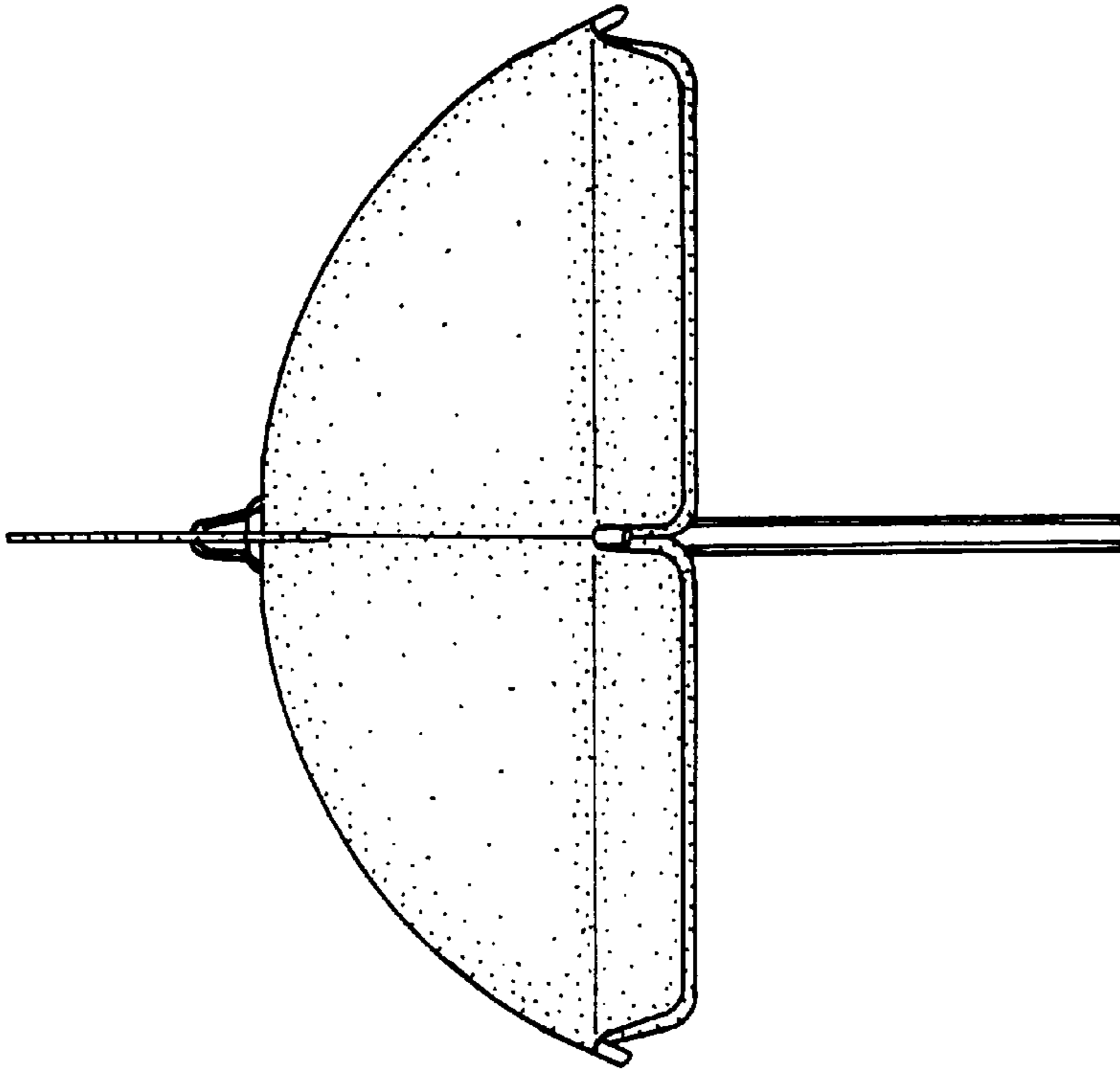


FIG. 5

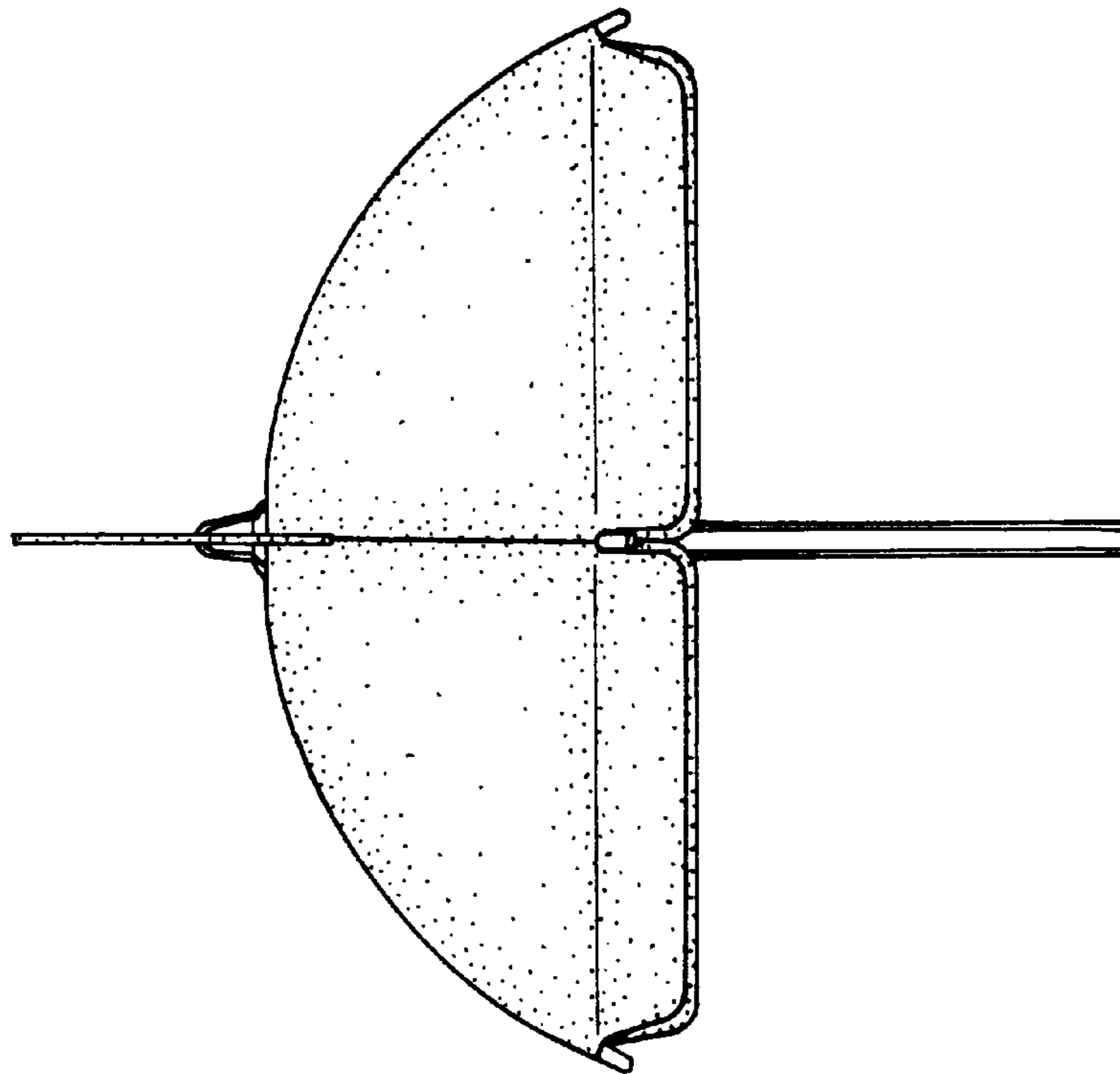


FIG. 4

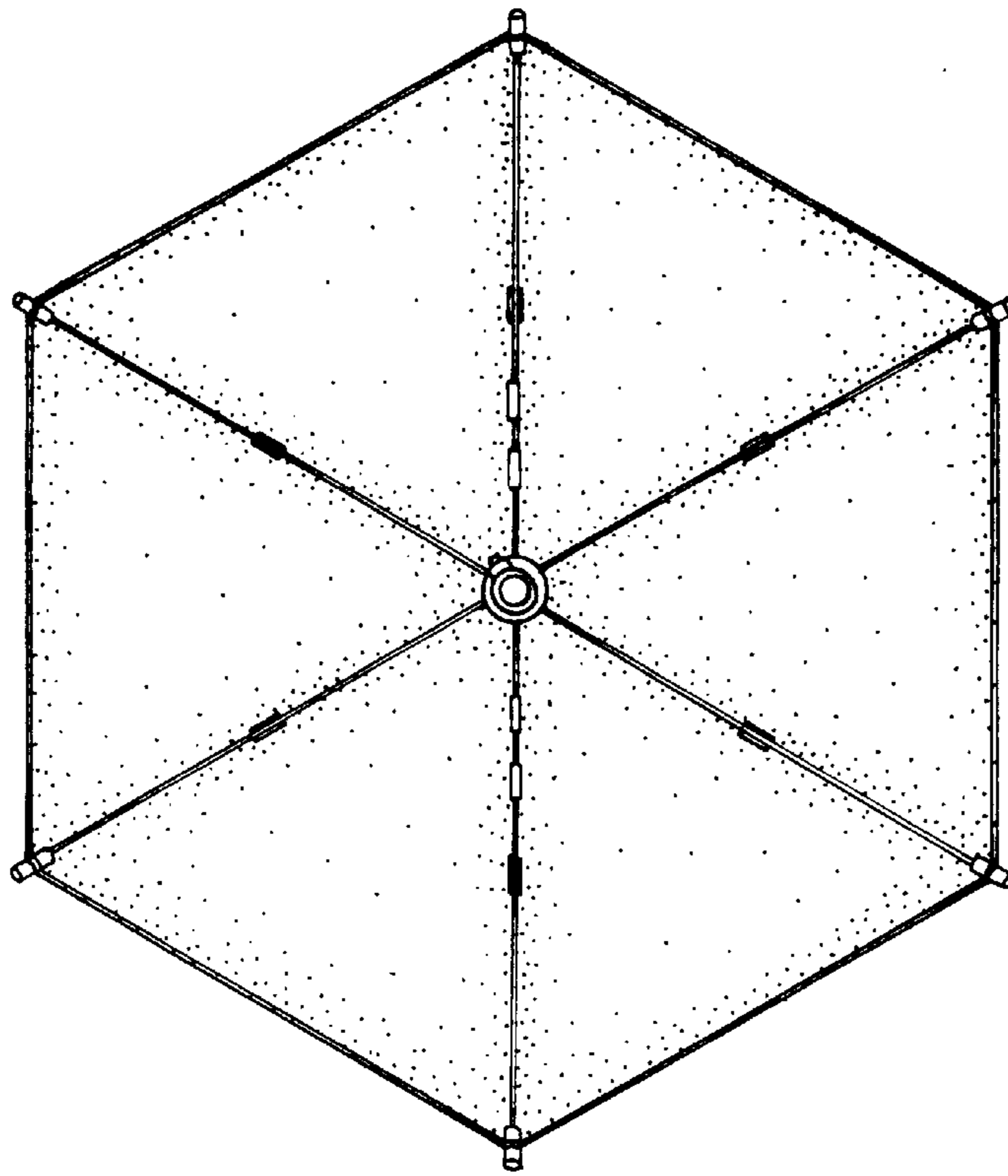


FIG. 7

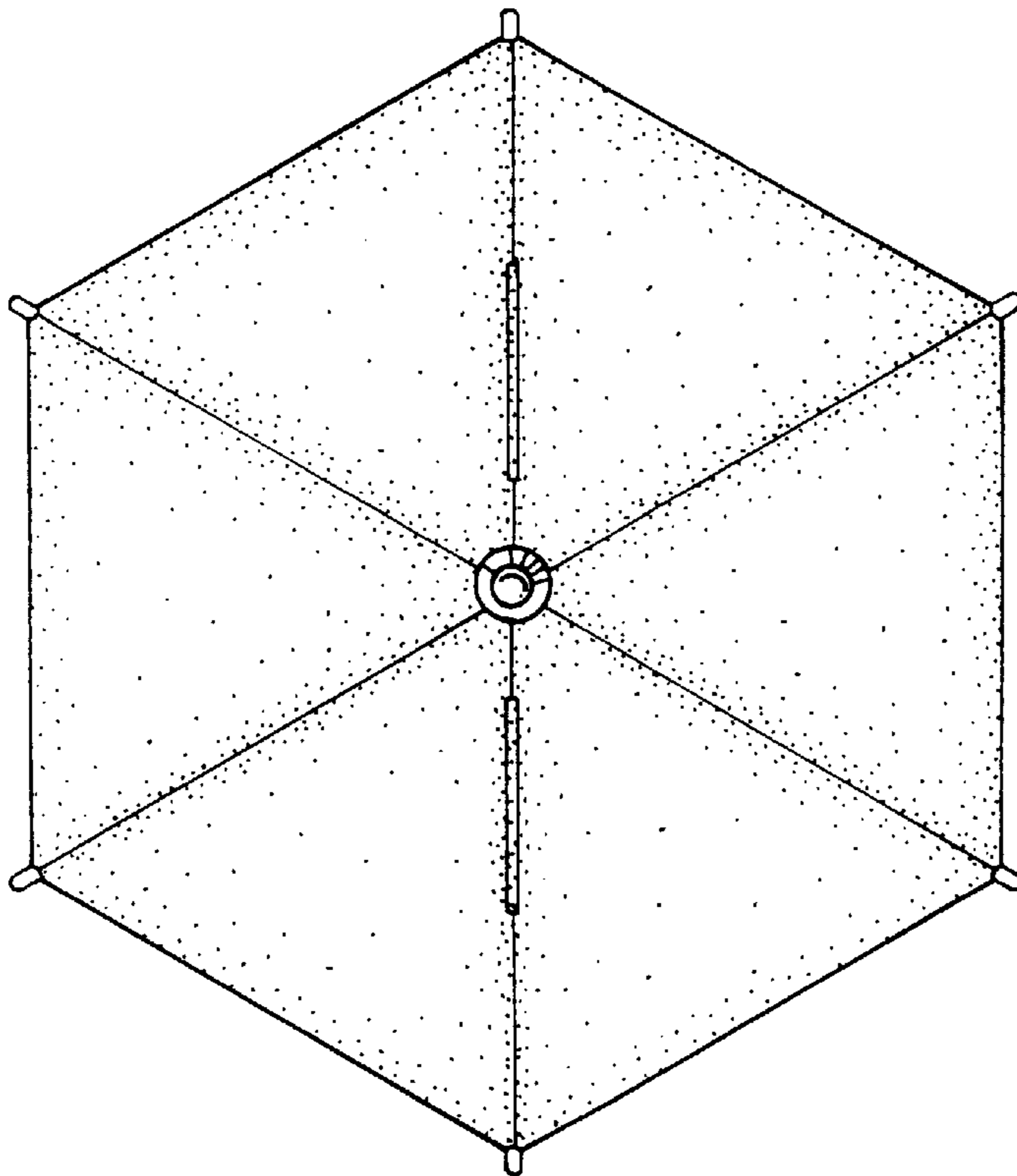


FIG. 6