



US00D411648S

# United States Patent [19] Markham

[11] **Patent Number: Des. 411,648**

[45] **Date of Patent: \*\* \*Jun. 29, 1999**

[54] **COMBINED COSMETIC TRAY AND CASE**

[76] Inventor: **Susan Markham**, Colorado Springs, Colo.

[\*] Notice: This patent is subject to a terminal disclaimer.

[\*\*] Term: **14 Years**

[21] Appl. No.: **29/048,442**

[22] Filed: **Dec. 29, 1995**

### Related U.S. Application Data

[63] Continuation-in-part of application No. 29/025,432, Jul. 1, 1994, Pat. No. Des. 365,892.

[51] **LOC (6) Cl. .... 28-03**

[52] **U.S. Cl. .... D28/77**

[58] **Field of Search** ..... D28/76-83; D9/341, D9/418, 420, 423; D3/205, 294, 295, 901; 205/235, 581, 823; 132/286, 293, 294; D19/35, 75, 77, 83

### [56] **References Cited**

#### U.S. PATENT DOCUMENTS

D. 21,762	8/1892	Estes	.....	D3/294
D. 246,508	11/1977	Nudell	.....	D3/295
D. 263,634	3/1982	Ballereaud	.....	D28/83
D. 335,896	5/1993	Evenson	.....	D19/83
D. 364,485	11/1995	Gavin	.....	D28/78
2,255,628	9/1941	Rogers	.....	206/81
4,589,430	5/1986	Sussman	.....	132/218

4,662,518	5/1987	Chiappetta et al.	.....	206/449
4,898,195	2/1990	Sussman	.....	132/317
5,092,354	3/1992	Pacelli, Jr.	.....	D28/83 X
5,163,457	11/1992	Lombardi, Jr.	.....	132/316 X

### FOREIGN PATENT DOCUMENTS

1122607	9/1956	France	.....	206/1.8
195493	5/1923	United Kingdom	.....	D9/420

### OTHER PUBLICATIONS

Mary Kay "Basic Skin Care—Skin Supplements—Glamour" advertising circular; right side of centerfold; compact at top, Jul. 1, 1989.

*Primary Examiner*—Ted Shooman

*Assistant Examiner*—C. Tuttle

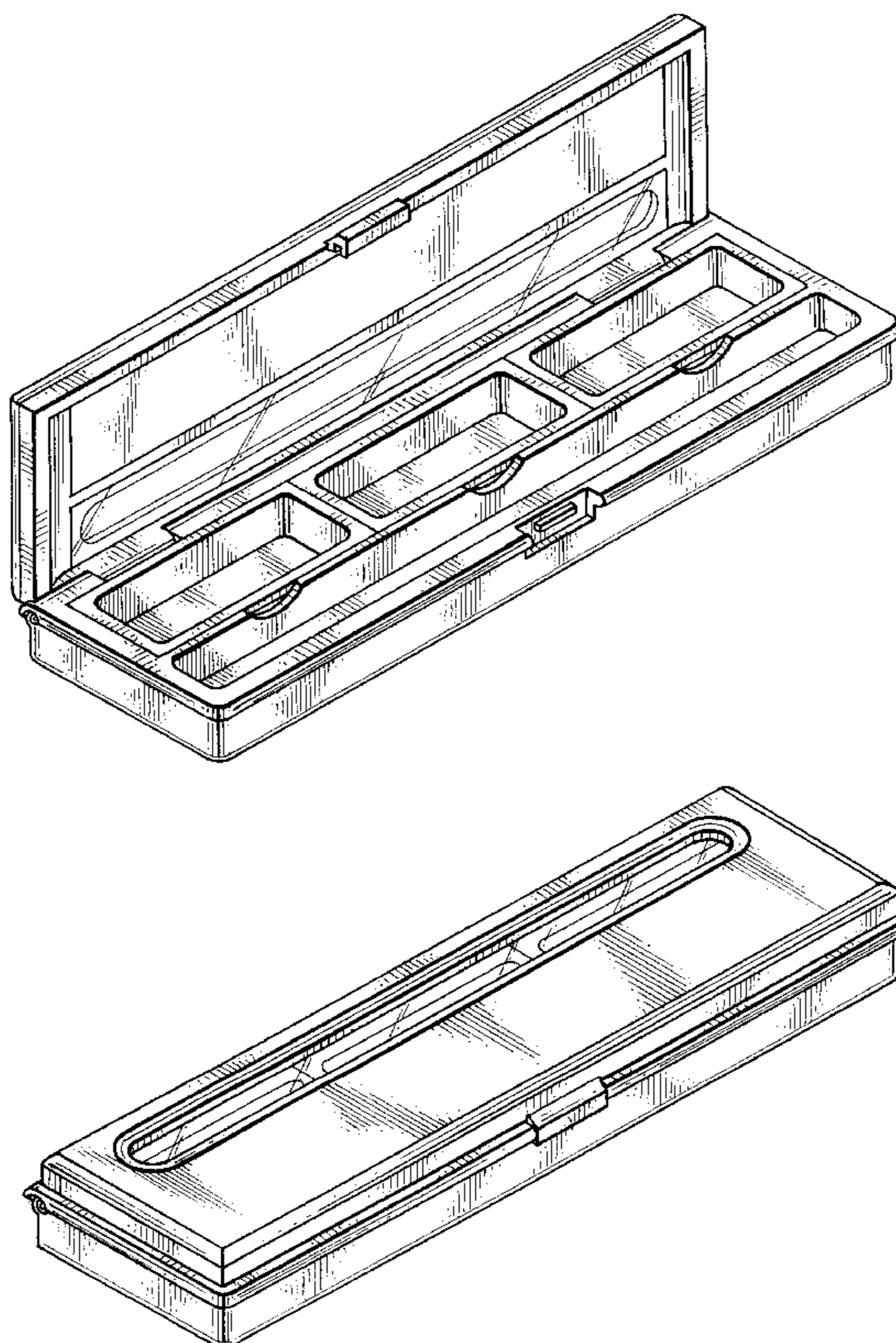
### [57] **CLAIM**

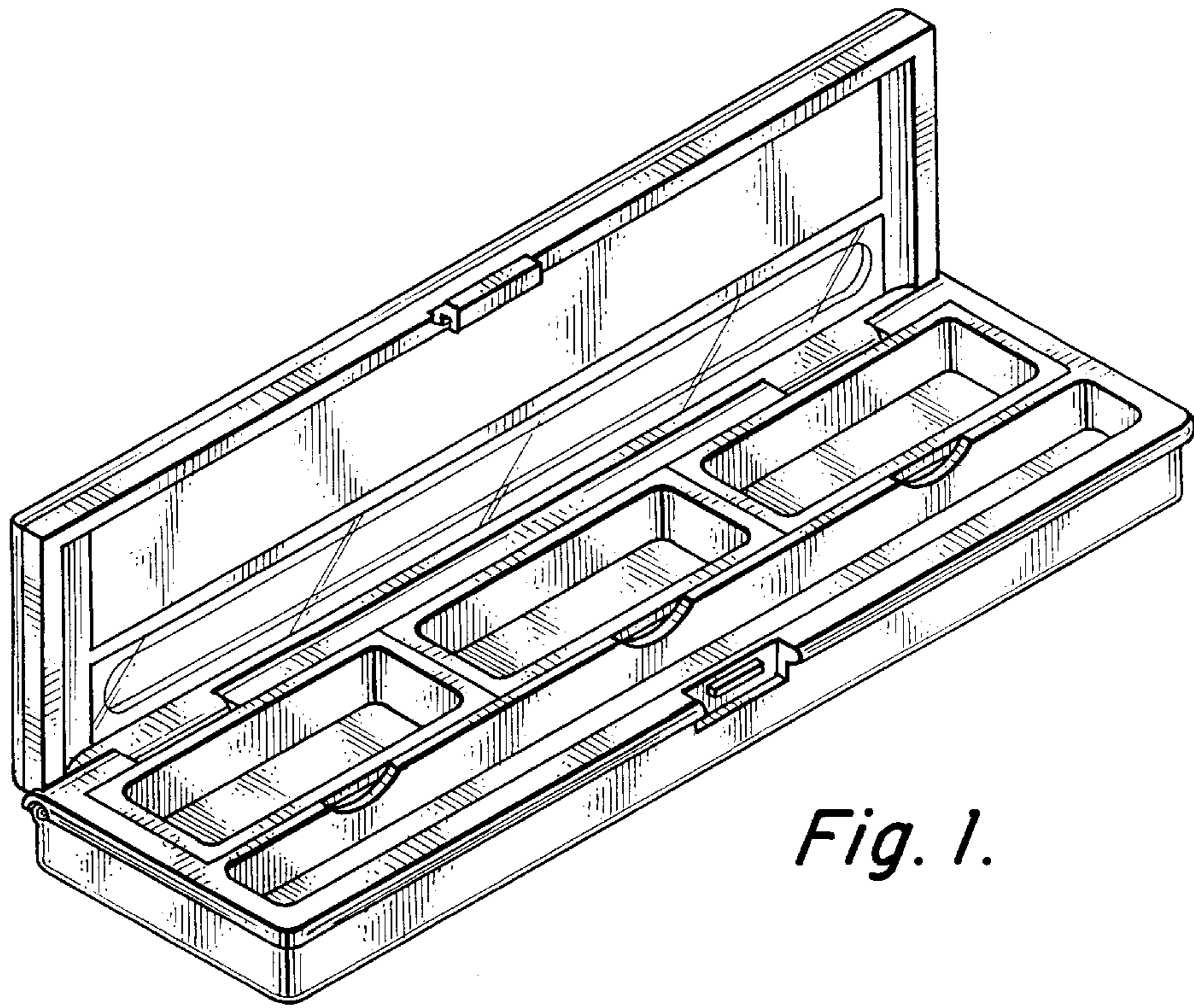
The ornamental design for a combined cosmetic tray and case, as shown and described.

### DESCRIPTION

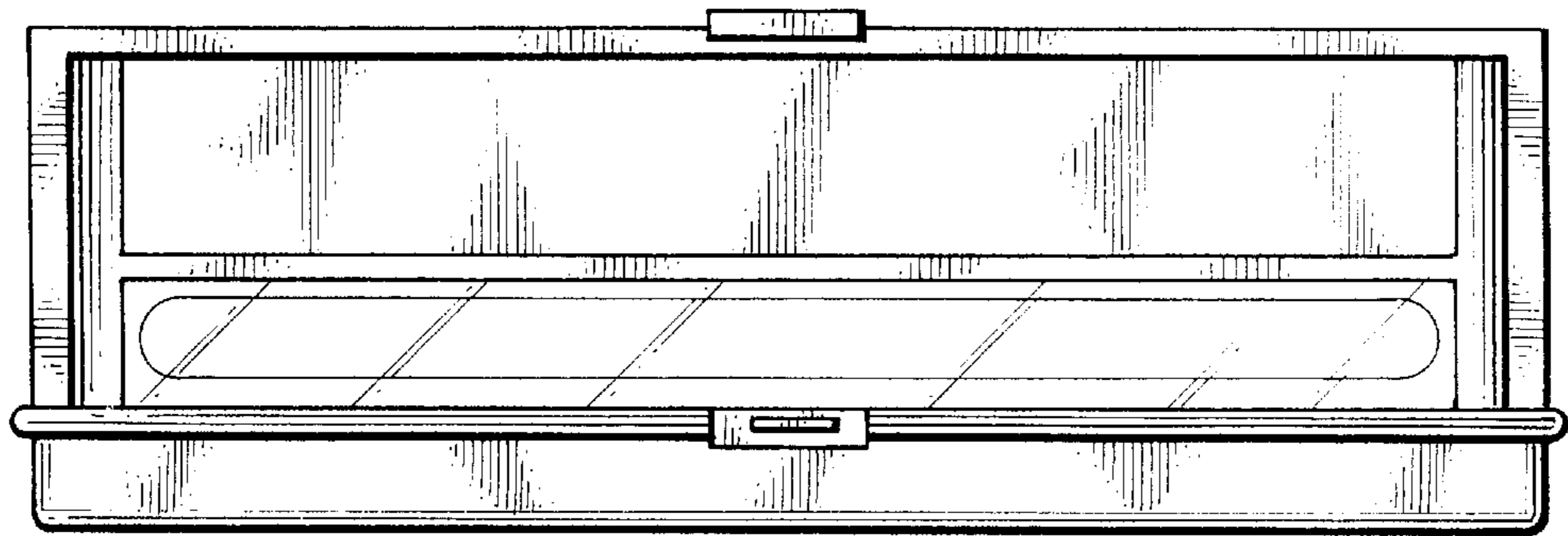
FIG. 1 is a perspective view of a combined cosmetic tray and case showing my new design in the open position; FIG. 2 is a front elevational view thereof; FIG. 3 is a right side elevational view, the left side being a mirror image of that shown; FIG. 4 is a rear elevational view thereof; FIG. 5 is a top plan view thereof; FIG. 6 is a bottom plan view thereof; and, FIG. 7 is a perspective view thereof in a closed position.

**1 Claim, 2 Drawing Sheets**

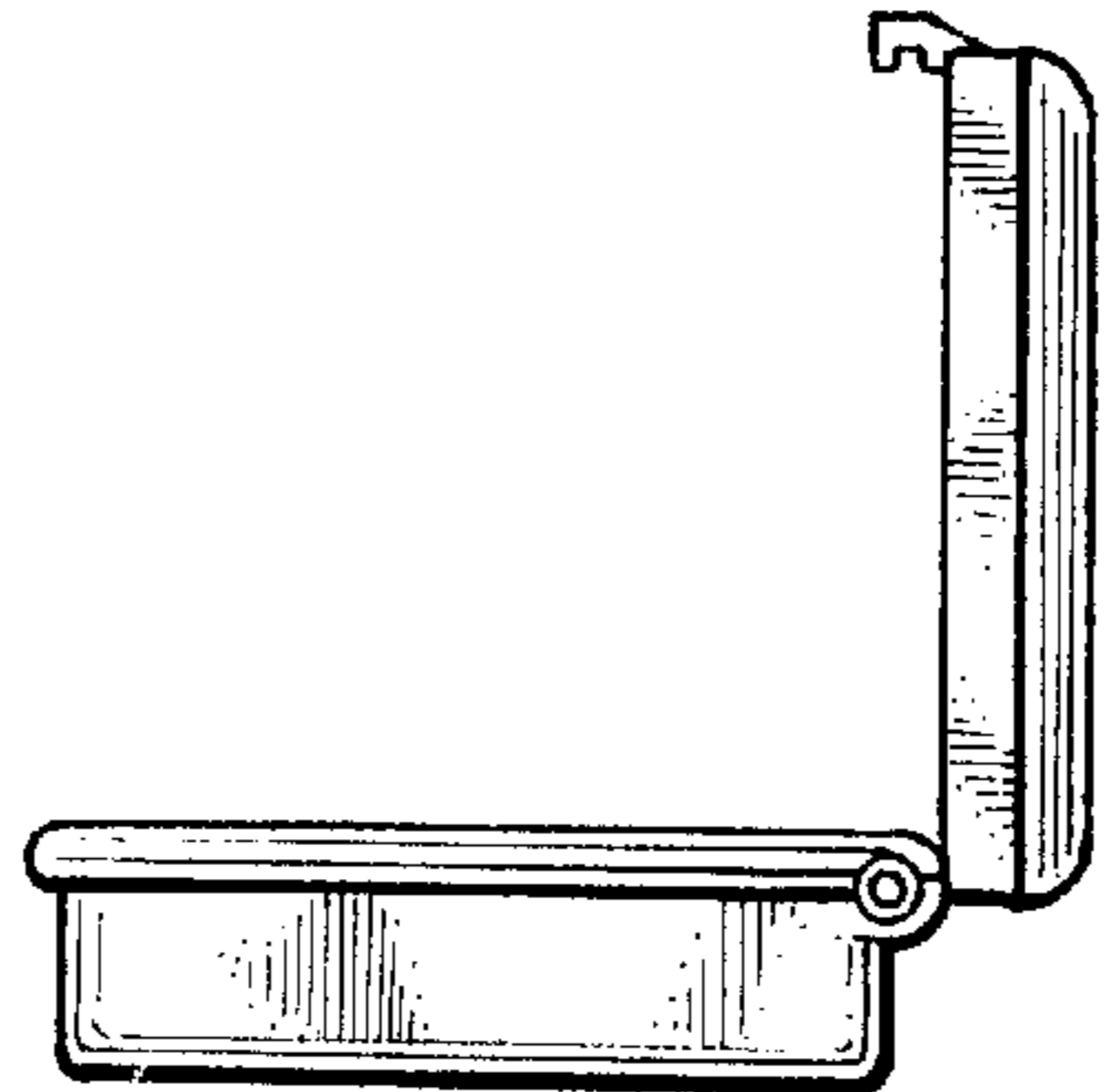




*Fig. 1.*

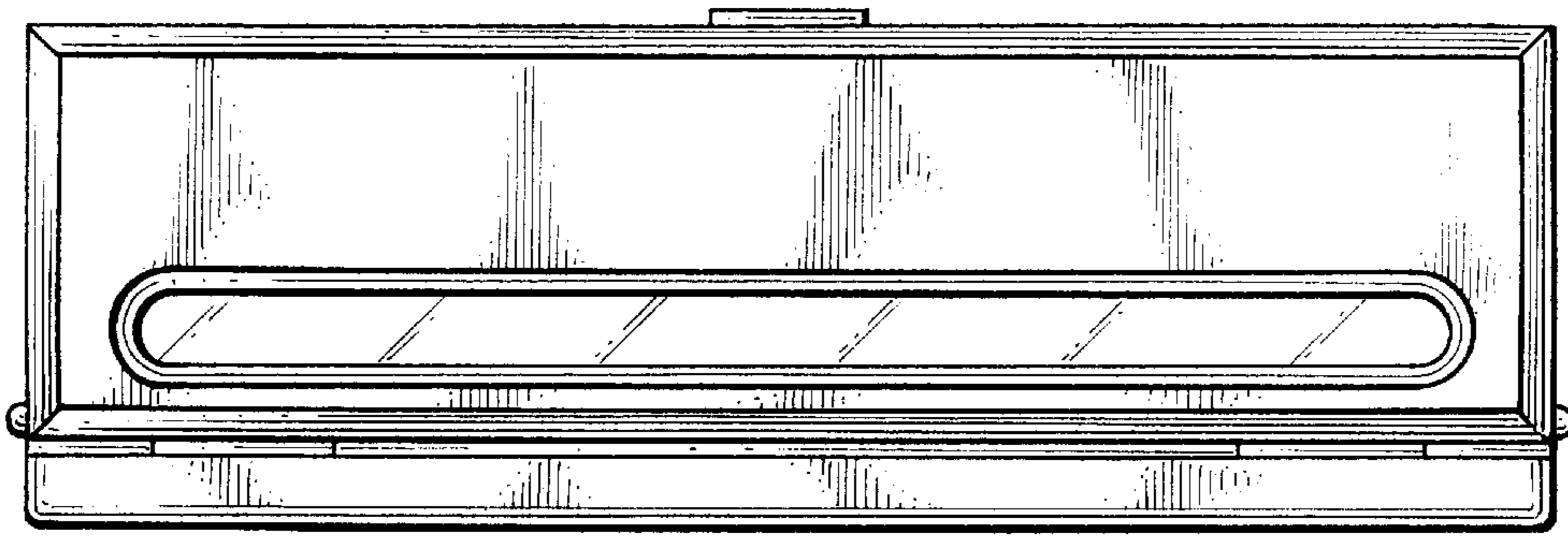


*Fig. 2.*

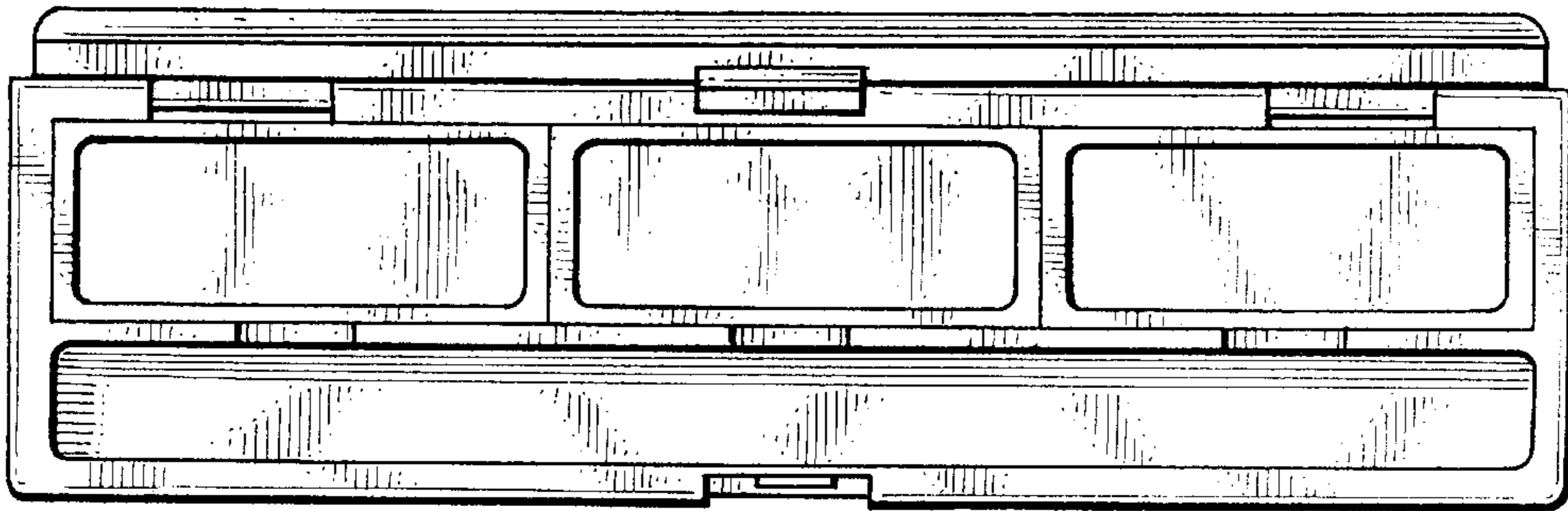


*Fig. 3.*

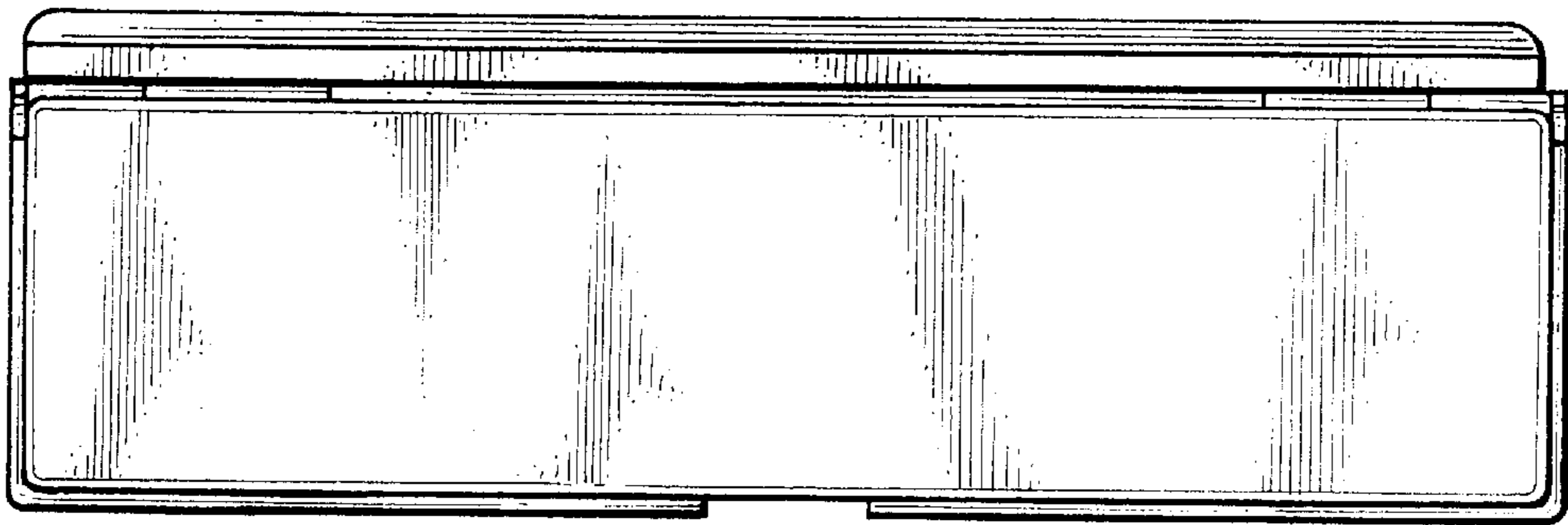




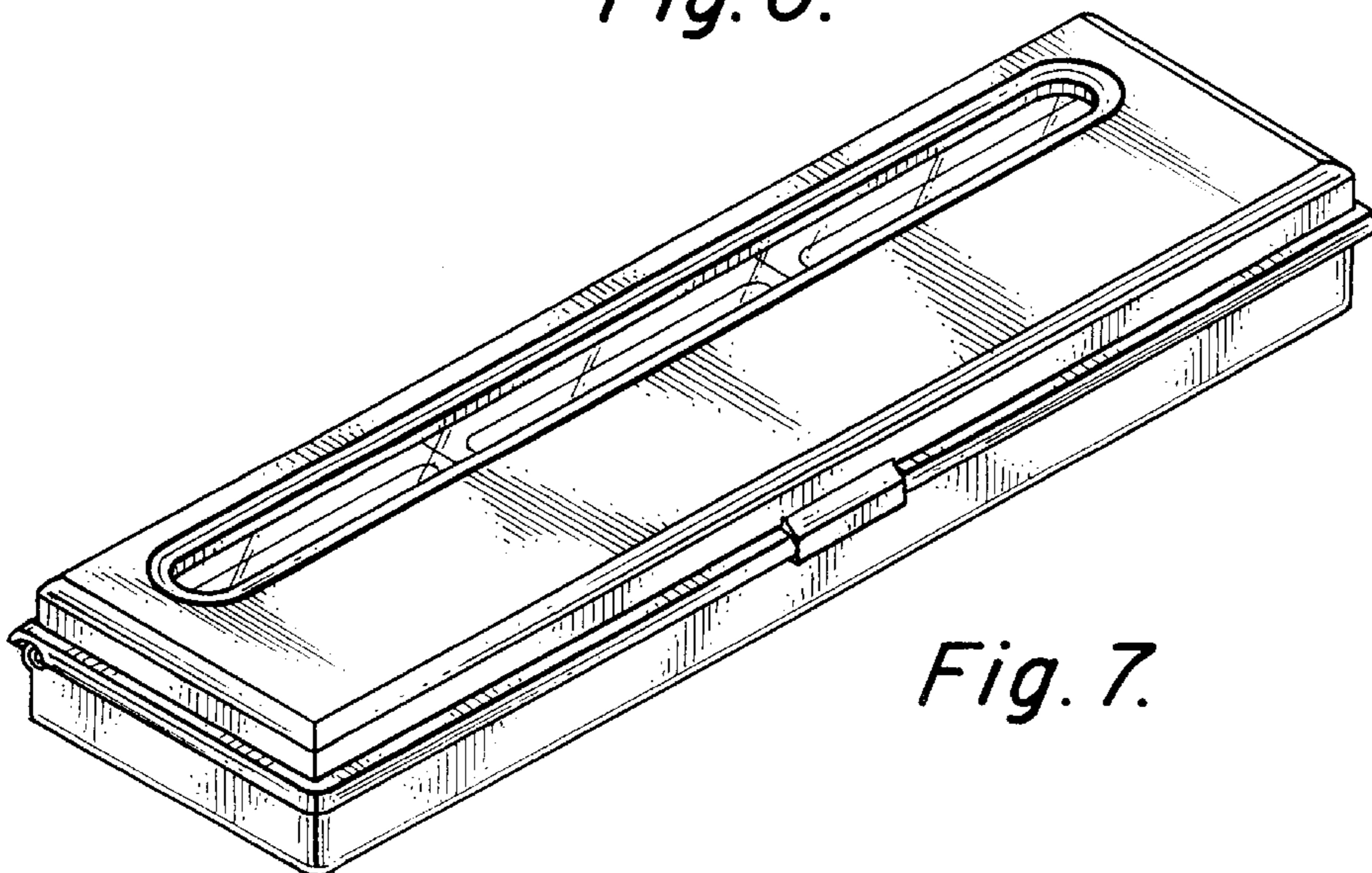
*Fig. 4.*



*Fig. 5.*



*Fig. 6.*



*Fig. 7.*